

US00D434490S

United States Patent [19]

[11] Patent Number: Des. 434,490

Tsuji et al.

[45] Date of Patent: ** Nov. 28, 2000

[54] **COMBINED CANOPY, DOWNROD, MOTOR HOUSING, SWITCH HOUSING, BLADE IRONS AND LIGHT FIXTURE UNIT FOR A CEILING FAN**

Primary Examiner—Lisa Lichtenstein
Attorney, Agent, or Firm—Garrison, Morris & Haight, PLLC

[75] Inventors: Masao Tsuji, Germantown; James C. Thomas, Jr., Memphis, both of Tenn.

[57] CLAIM

The ornamental design for a combined canopy, downrod, motor housing, switch housing, blade irons and light fixture unit for a ceiling fan, as shown and described.

[73] Assignee: Hunter Fan Company, Memphis, Tenn.

DESCRIPTION

[**] Term: 14 Years

FIG. 1 is a perspective view of a combined canopy, downrod, motor housing, switch housing, blade irons and light fixture unit for a ceiling fan showing our new design; FIG. 2 is a perspective view of the design shown in FIG. 1 with the environmental structure removed therefrom; FIG. 3 is a front view of FIG. 2, the left-side, right-side, and rear views of FIG. 2 being identical to the front view; FIG. 4 is a top view of FIG. 2; and, FIG. 5 is a bottom view of FIG. 2.

[21] Appl. No.: 29/096,110

The broken line showing of environmental structure shown in FIG. 1 is for illustrative purposes only and forms no part of the claimed design.

[22] Filed: Nov. 5, 1998

[51] LOC (7) Cl. 23-04

[52] U.S. Cl. D23/411; D23/377; D26/59

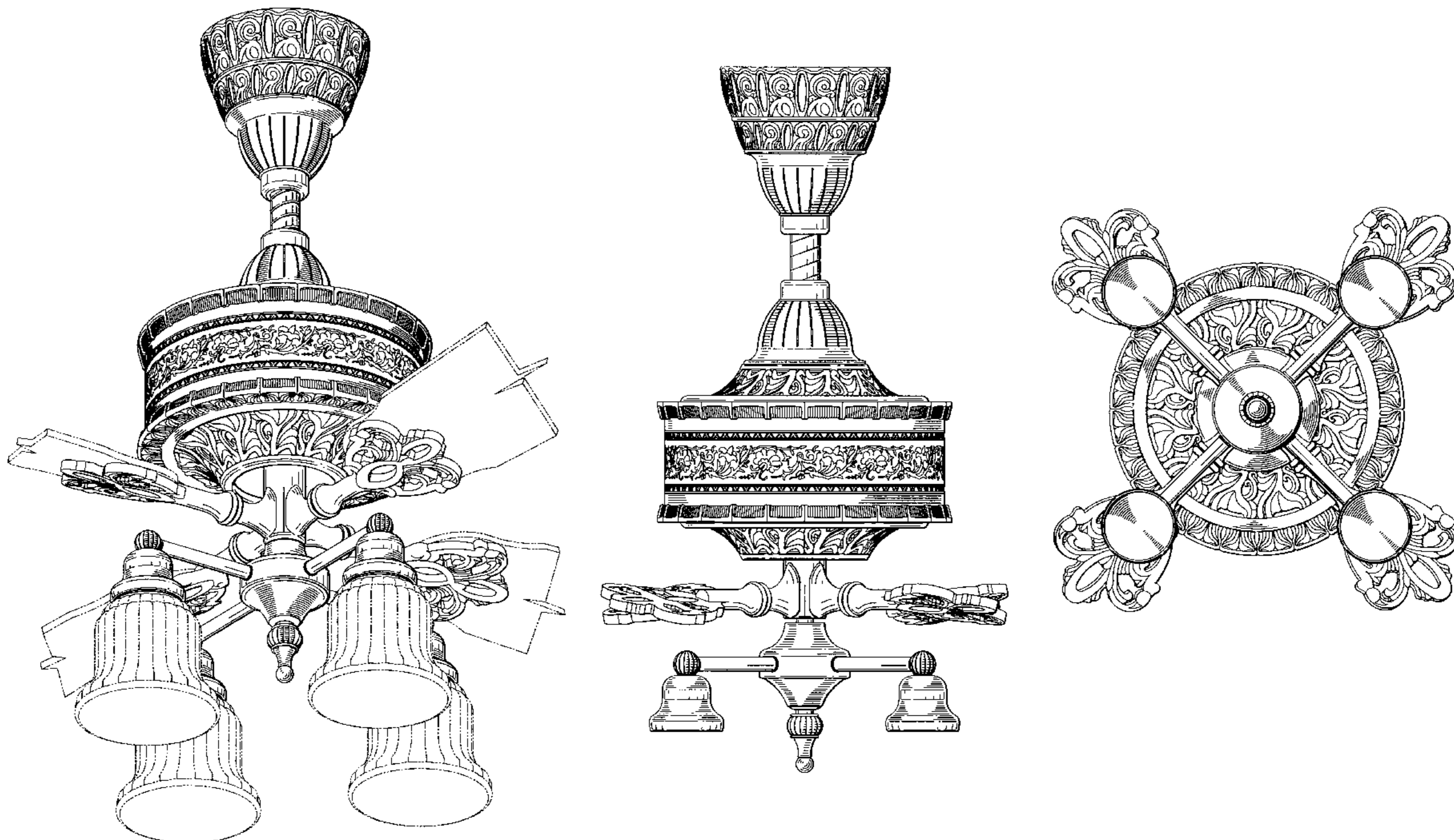
[58] Field of Search D23/377, 379, D23/385, 411, 413; 416/5; 392/364; 362/96; D26/72, 59, 51, 81-86, 88

[56] References Cited

U.S. PATENT DOCUMENTS

D. 404,479 1/1999 Yang D23/377

1 Claim, 5 Drawing Sheets



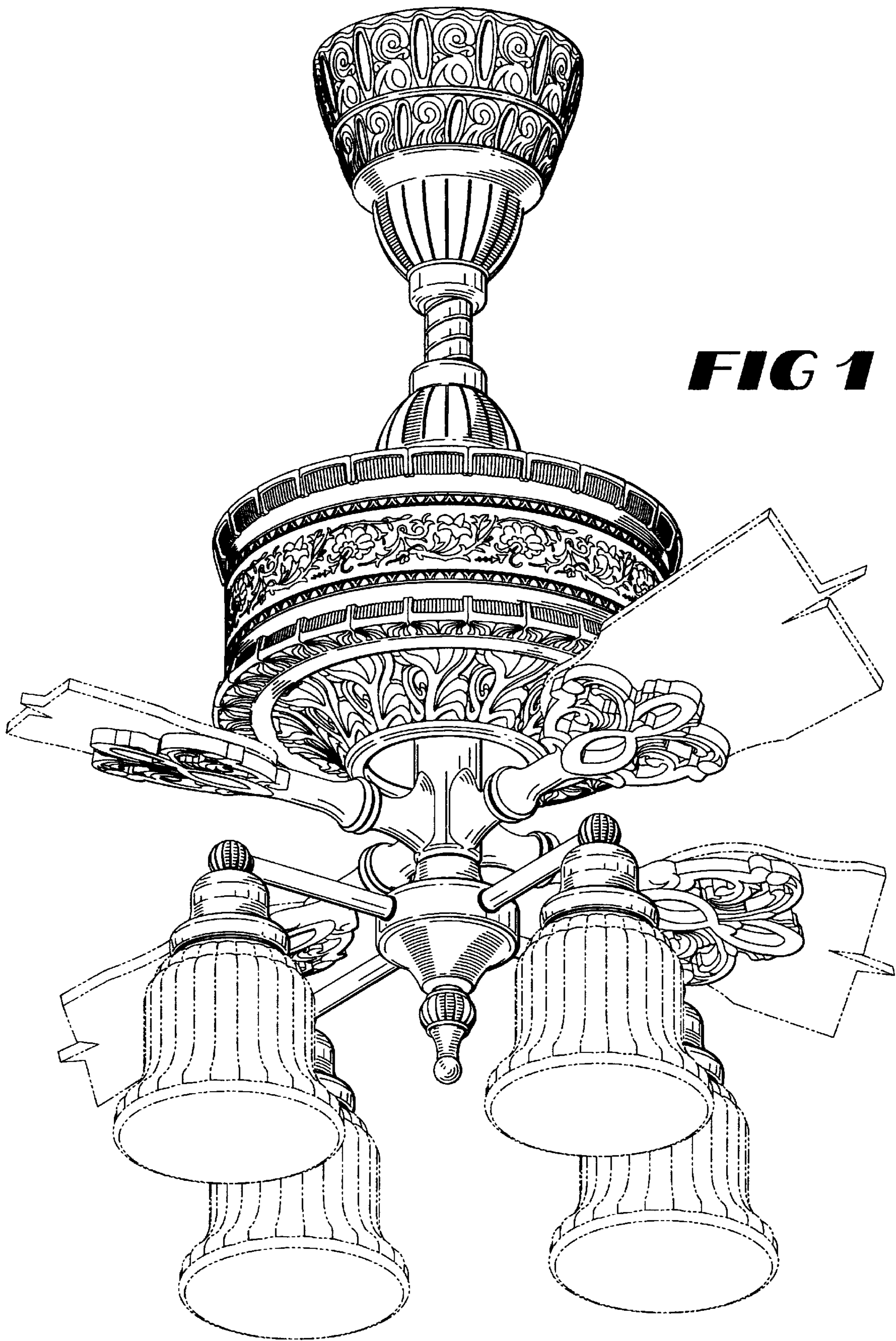


FIG 1

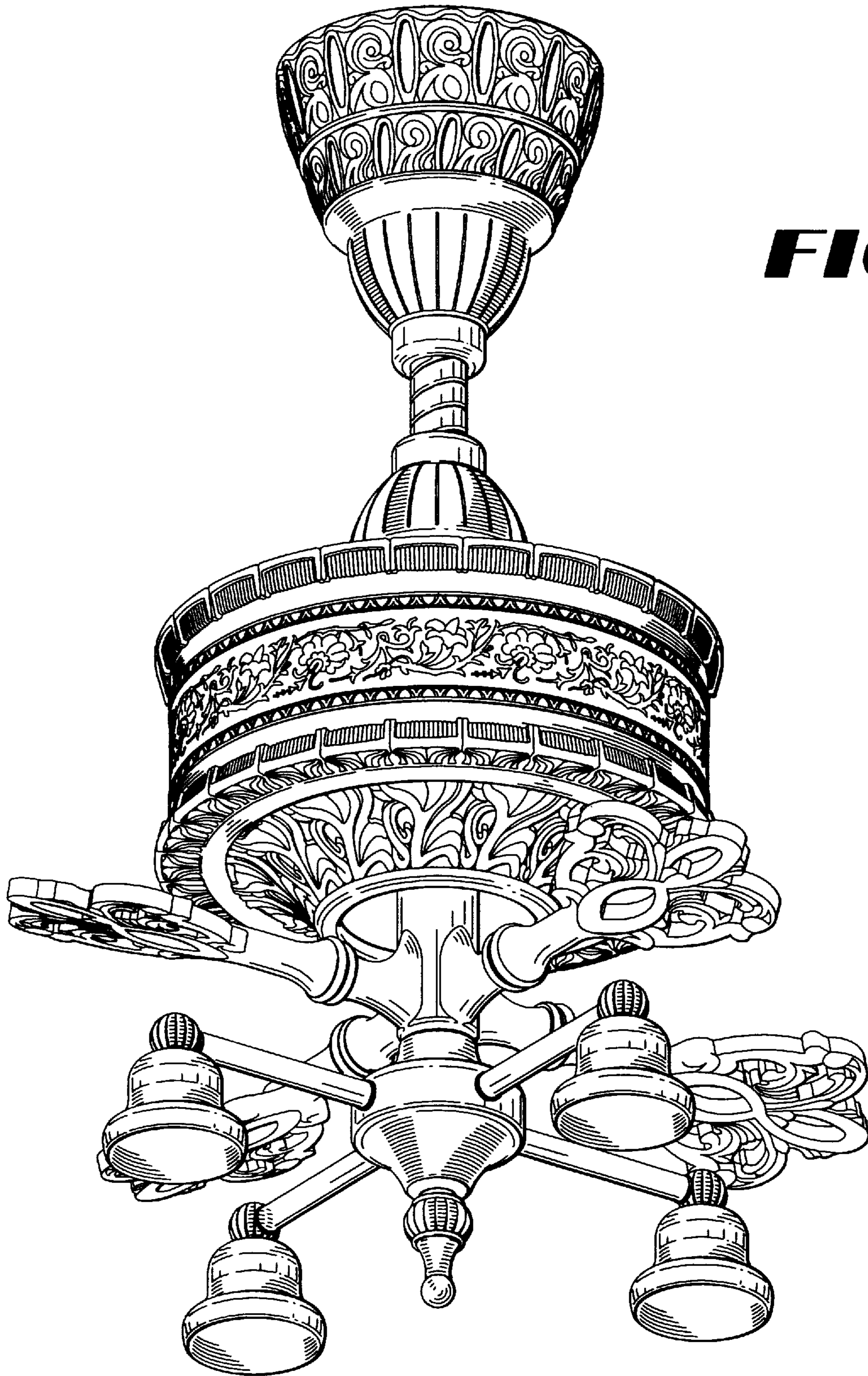


FIG 2

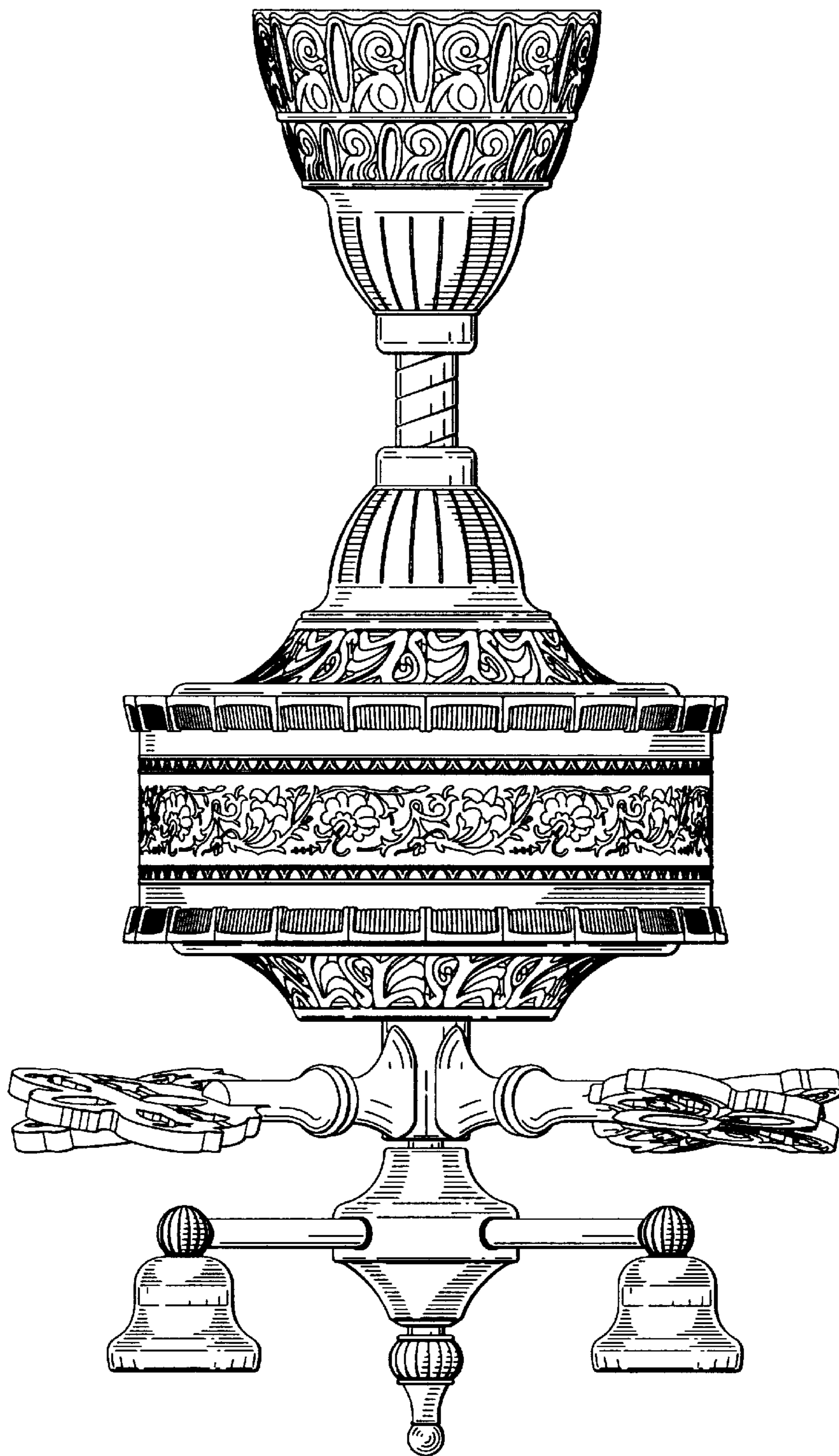


FIG 3

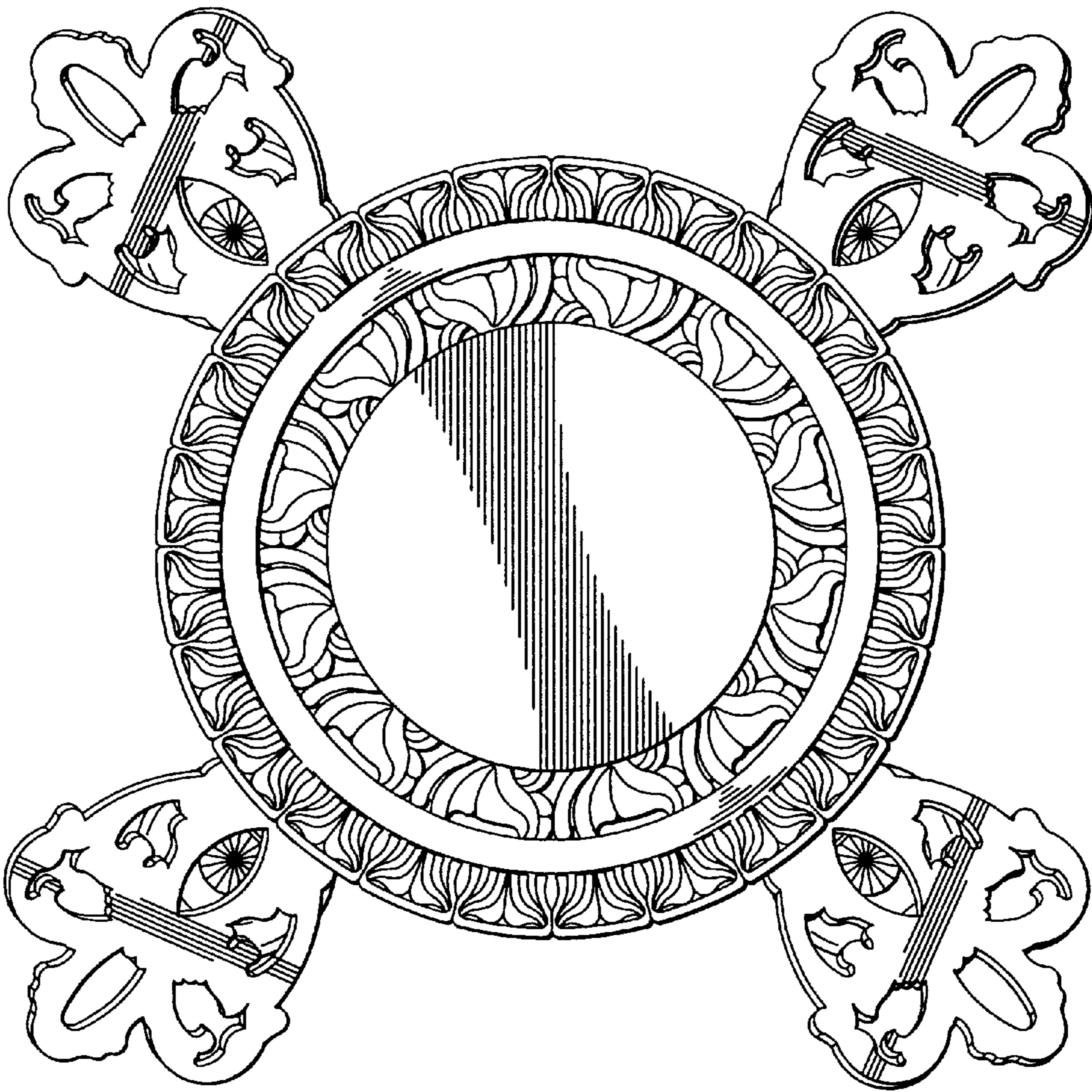


FIG 4

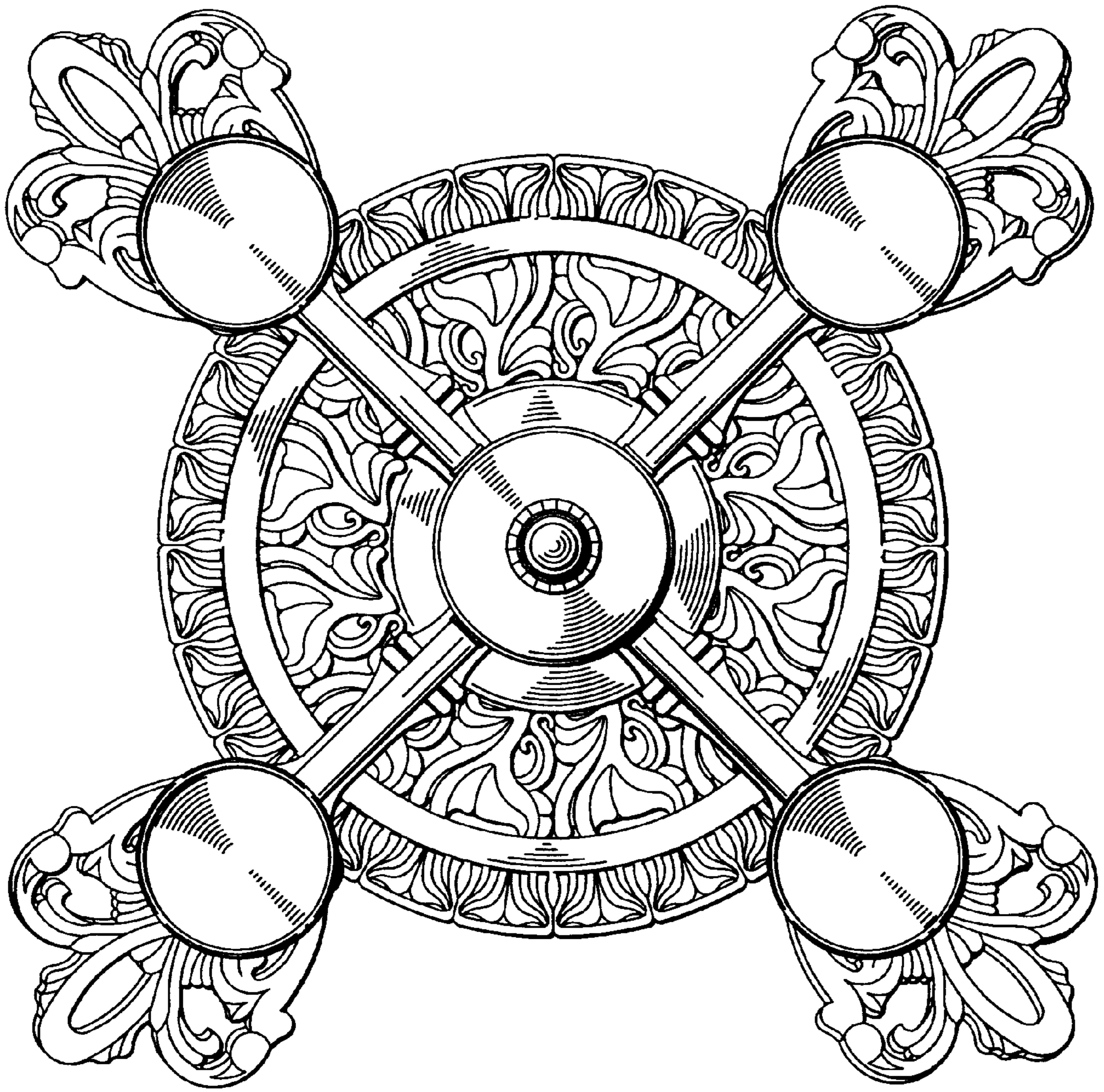


FIG 5