



US00D434487S

United States Patent [19]

[11] Patent Number: Des. 434,487

Moroi et al.

[45] Date of Patent: ** Nov. 28, 2000

[54] ROTOR FOR HEATER

[75] Inventors: Takahiro Moroi; Takashi Ban; Hidefumi Mori; Tatsuya Hirose, all of Kariya, Japan

[73] Assignee: Kabushiki Kaisha Toyoda Jidoshokki Seisakusho, Kariya, Japan

[**] Term: 14 Years

[21] Appl. No.: 29/107,327

[22] Filed: Jul. 1, 1999

Feb. 28, 1997	[JP]	Japan	9-6070
Feb. 28, 1997	[JP]	Japan	9-6071
Feb. 28, 1997	[JP]	Japan	9-6072
Feb. 28, 1997	[JP]	Japan	9-6073
Feb. 28, 1997	[JP]	Japan	9-6074
Feb. 28, 1997	[JP]	Japan	9-6075
Feb. 28, 1997	[JP]	Japan	9-6076
Feb. 28, 1997	[JP]	Japan	9-6077
Apr. 18, 1997	[JP]	Japan	9-51899

[51] LOC (7) Cl. 23-99

[52] U.S. Cl. D23/386

[58] Field of Search D23/386; 126/247, 126/372, 379.2, 579

Related U.S. Application Data

[62] Division of application No. 29/075,047, Aug. 14, 1997, Pat. No. Des. 420,122.

[30] Foreign Application Priority Data

Feb. 28, 1997	[JP]	Japan	9-6041
Feb. 28, 1997	[JP]	Japan	9-6042
Feb. 28, 1997	[JP]	Japan	9-6043
Feb. 28, 1997	[JP]	Japan	9-6044
Feb. 28, 1997	[JP]	Japan	9-6045
Feb. 28, 1997	[JP]	Japan	9-6046
Feb. 28, 1997	[JP]	Japan	9-6047
Feb. 28, 1997	[JP]	Japan	9-6048
Feb. 28, 1997	[JP]	Japan	9-6049
Feb. 28, 1997	[JP]	Japan	9-6050
Feb. 28, 1997	[JP]	Japan	9-6051
Feb. 28, 1997	[JP]	Japan	9-6052
Feb. 28, 1997	[JP]	Japan	9-6053
Feb. 28, 1997	[JP]	Japan	9-6054
Feb. 28, 1997	[JP]	Japan	9-6055
Feb. 28, 1997	[JP]	Japan	9-6056
Feb. 28, 1997	[JP]	Japan	9-6057
Feb. 28, 1997	[JP]	Japan	9-6058
Feb. 28, 1997	[JP]	Japan	9-6059
Feb. 28, 1997	[JP]	Japan	9-6060
Feb. 28, 1997	[JP]	Japan	9-6061
Feb. 28, 1997	[JP]	Japan	9-6062
Feb. 28, 1997	[JP]	Japan	0-6063
Feb. 28, 1997	[JP]	Japan	9-6064
Feb. 28, 1997	[JP]	Japan	9-6065
Feb. 28, 1997	[JP]	Japan	9-6066
Feb. 28, 1997	[JP]	Japan	9-6067
Feb. 28, 1997	[JP]	Japan	9-6068
Feb. 28, 1997	[JP]	Japan	9-6069

[56] References Cited

U.S. PATENT DOCUMENTS

4,285,329	8/1981	Moline	126/247
4,312,322	1/1982	Freihage	126/247
5,553,802	9/1996	Park et al.	242/372

Primary Examiner—Mitchell Siegel
Attorney, Agent, or Firm—Morgan & Finnegan, L.L.P.

[57] CLAIM

The ornamental design for a rotor for heater, as shown and described.

DESCRIPTION

FIG. 1 is a perspective view of a rotor for heater; FIG. 2 is a front elevational view thereof; FIG. 3 is a rear elevational view thereof; FIG. 4 is a top plan view thereof; FIG. 5 is a bottom plan view thereof; FIG. 6 is a left side elevational view thereof; and FIG. 7 is a right side elevational view thereof. FIG. 8 is a perspective view of a second embodiment of the rotor for heater; FIG. 9 is a front elevational view thereof; FIG. 10 is a rear elevational view thereof; FIG. 11 is a top plan view thereof; FIG. 12 is a bottom plan view thereof; FIG. 13 is a left side elevational view thereof; and, FIG. 14 is a right side elevational view thereof.

1 Claim, 6 Drawing Sheets

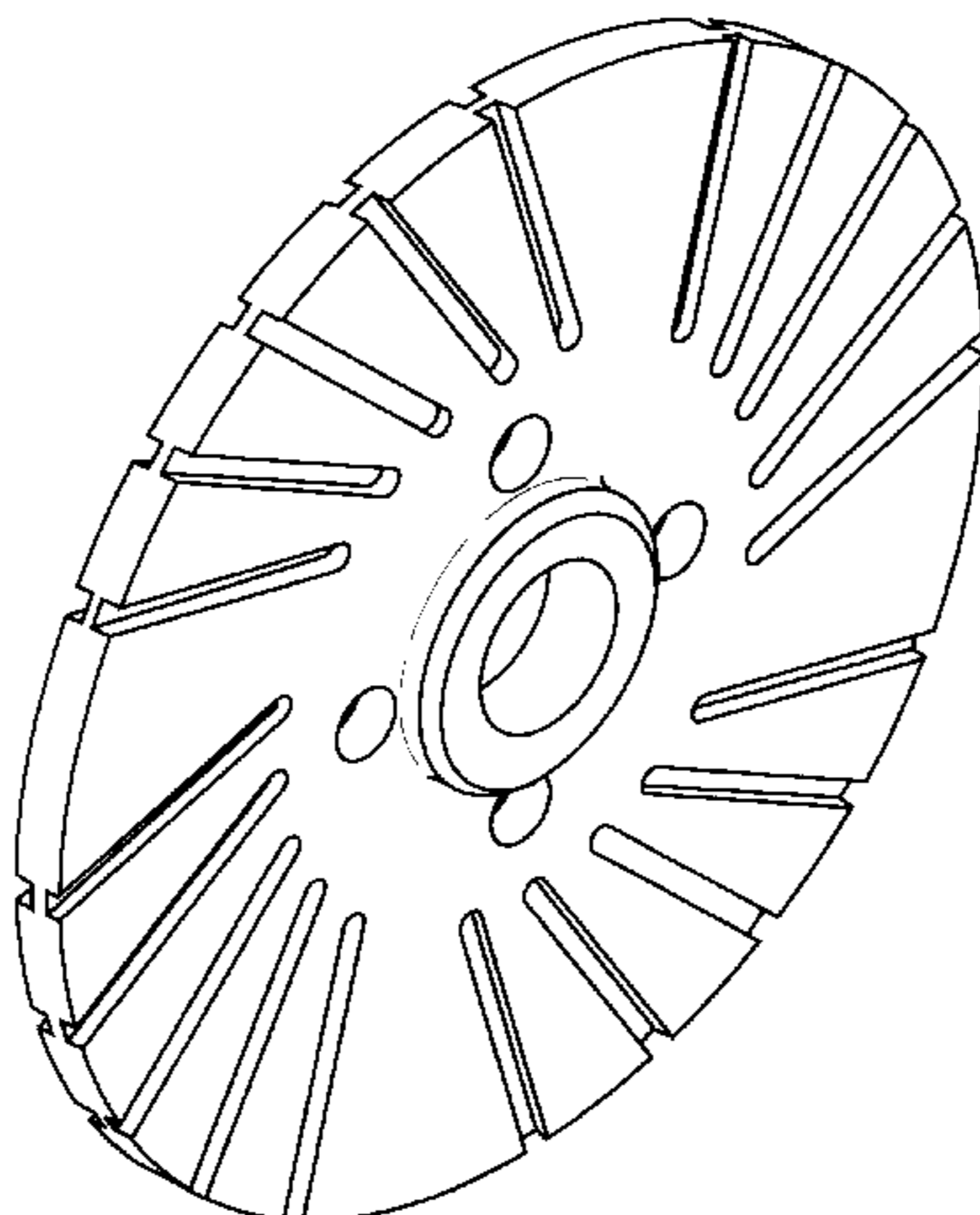


FIG. 1

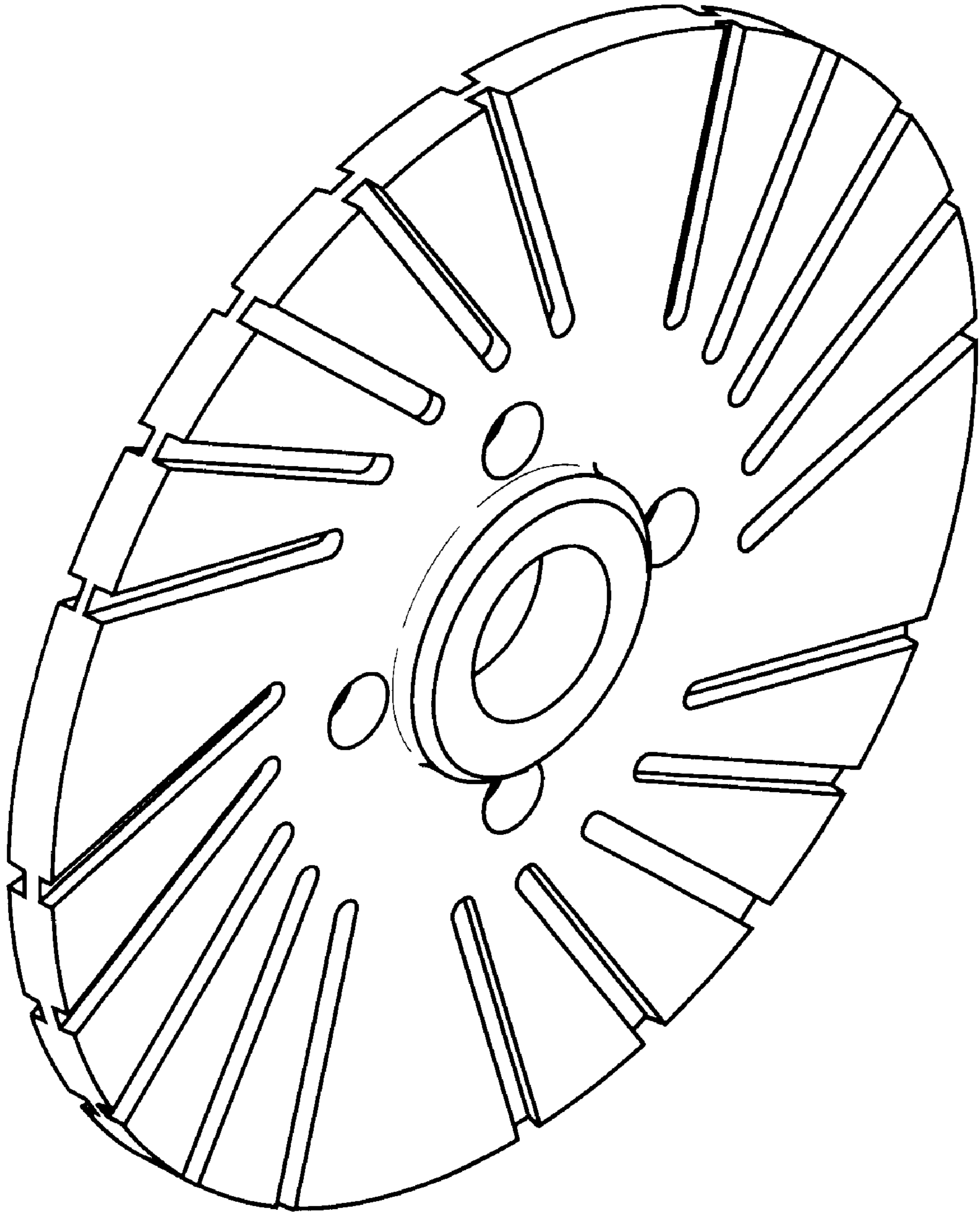


FIG. 2

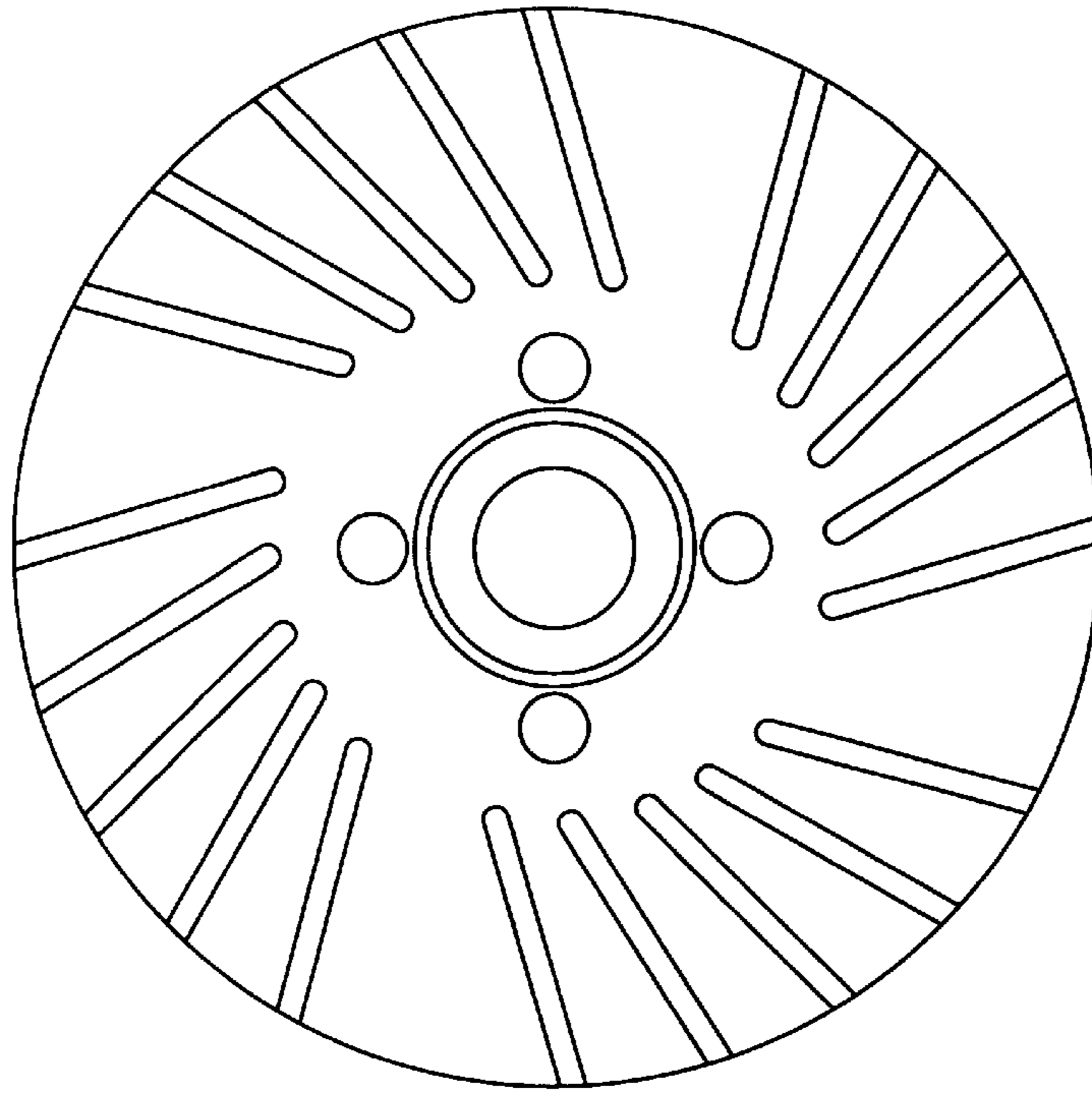


FIG. 3

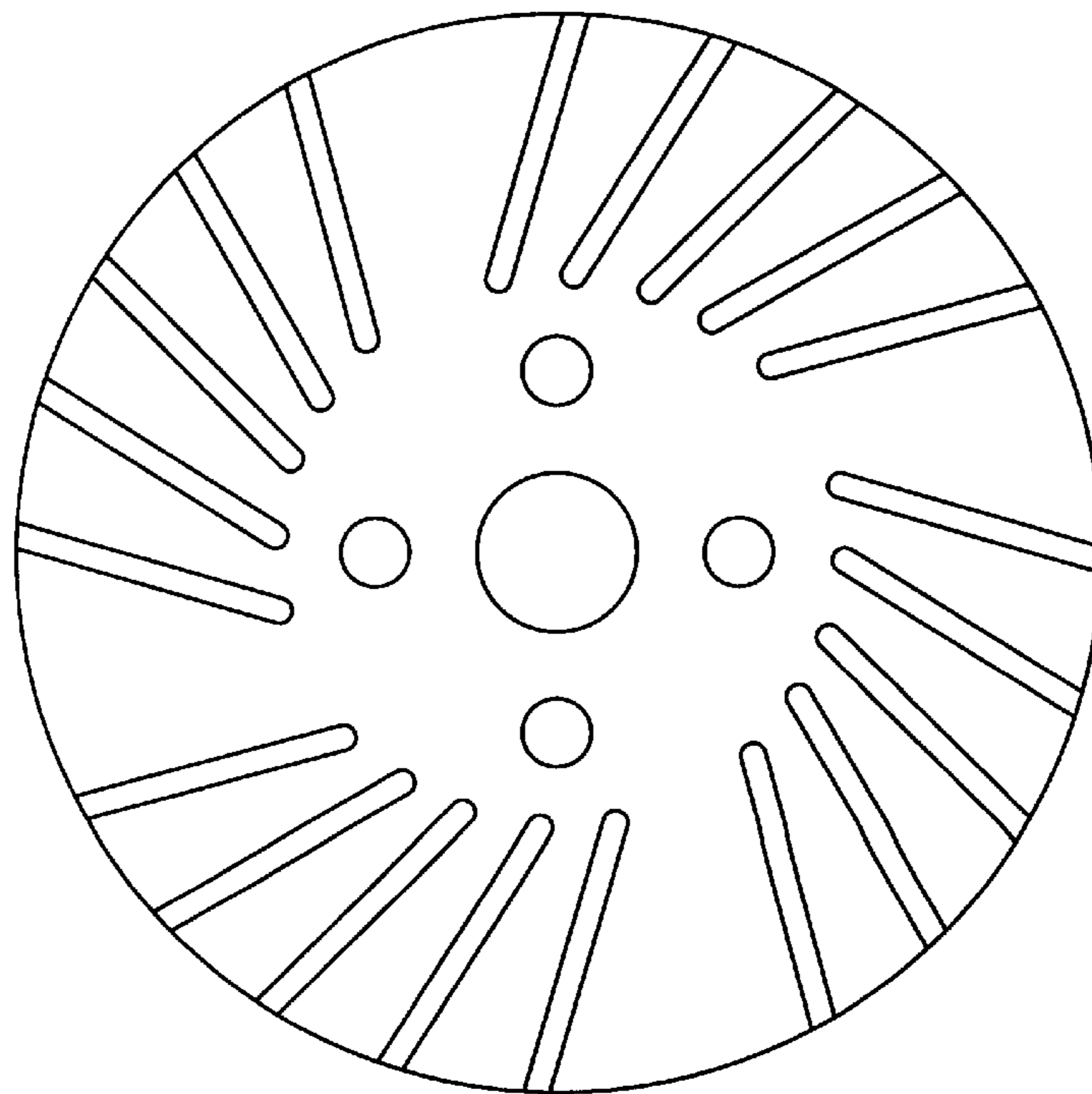


FIG. 4

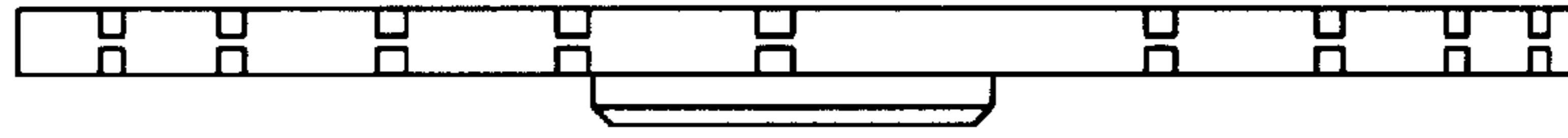


FIG. 5

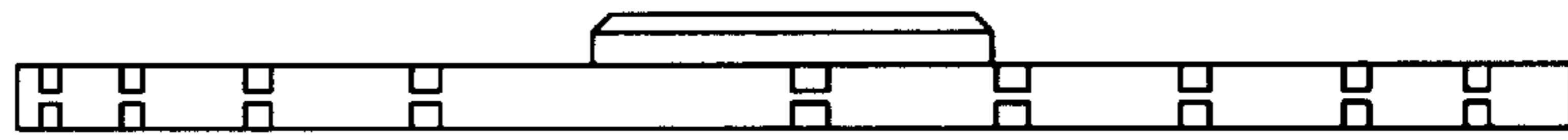


FIG. 6



FIG. 7



FIG. 8

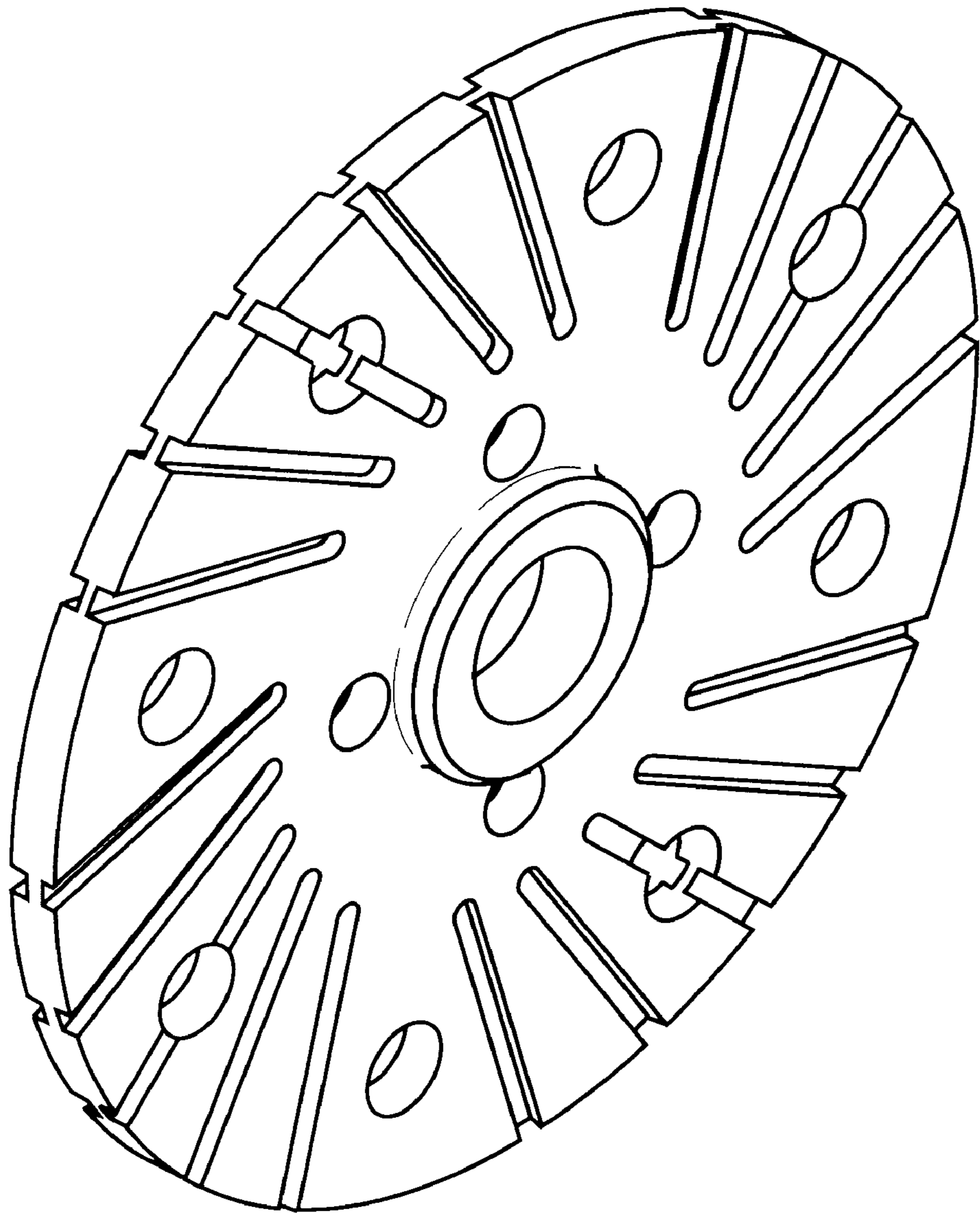


FIG. 9

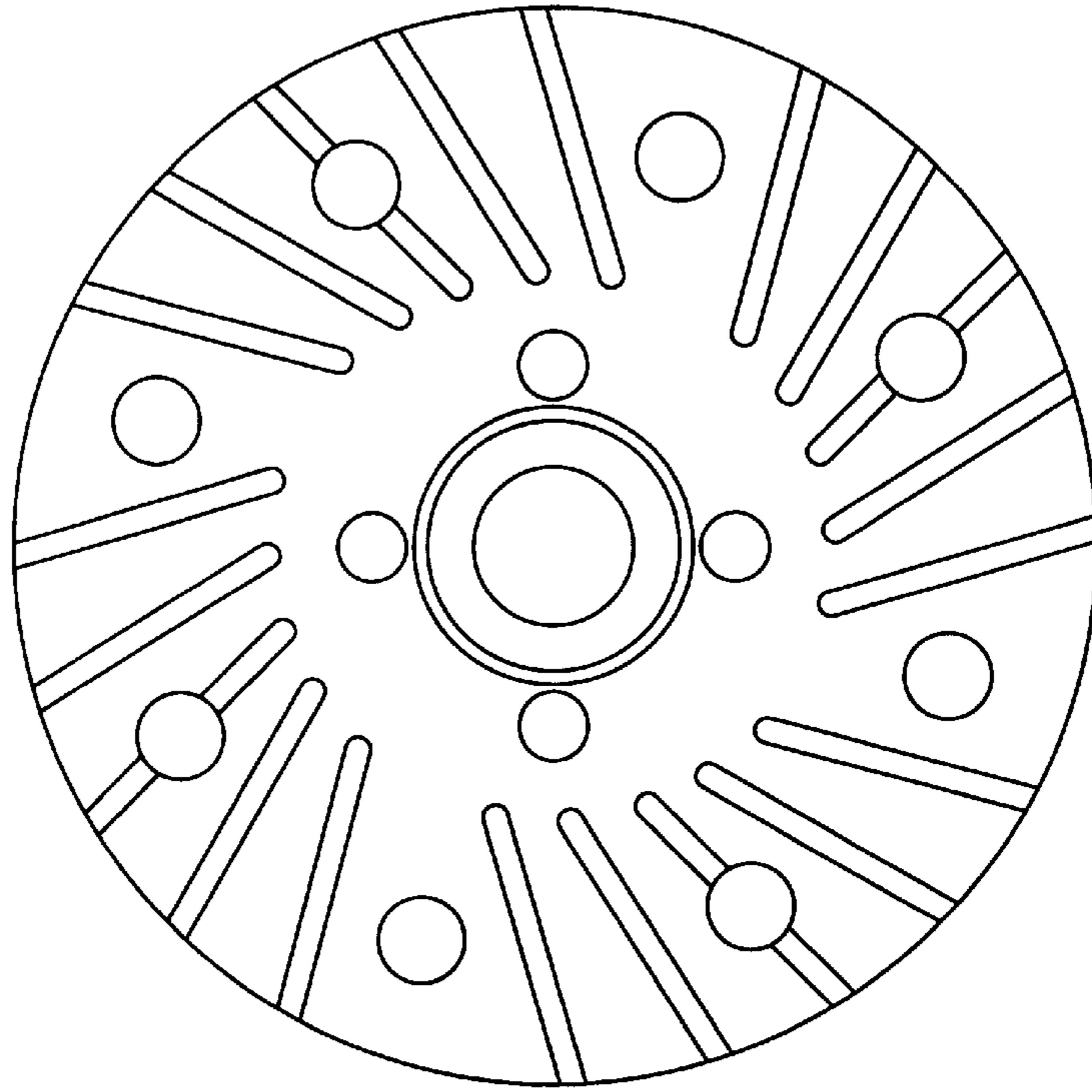


FIG. 10

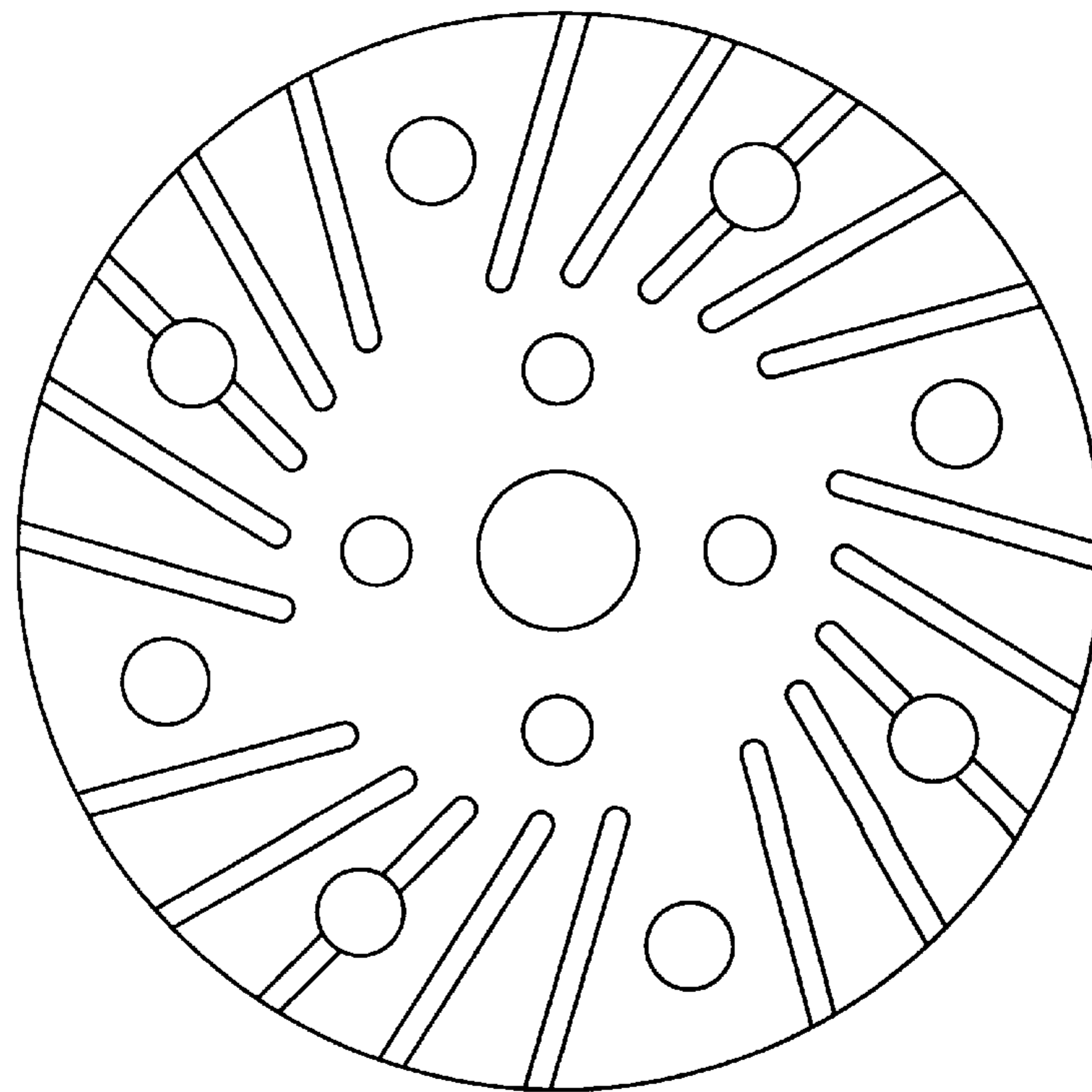


FIG. 11

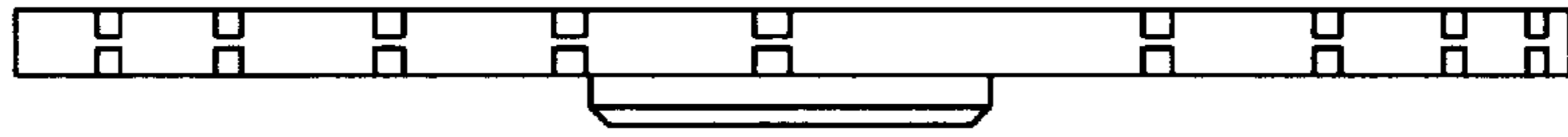


FIG. 12

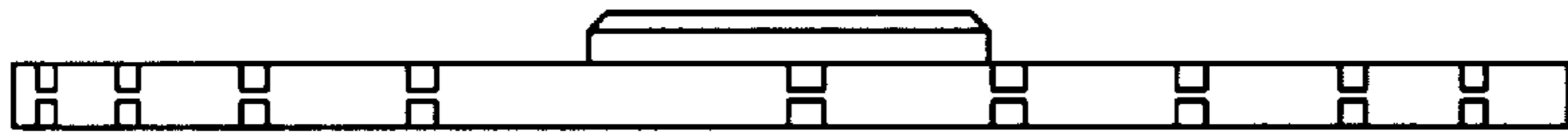


FIG. 13



FIG. 14



UNITED STATES PATENT AND TRADEMARK OFFICE
CERTIFICATE OF CORRECTION

PATENT NO. : Des 434,487
DATED : November 28, 2000
INVENTOR(S) : Takahiro Moroi et al.

Page 1 of 1

It is certified that error appears in the above-identified patent and that said Letters Patent is hereby corrected as shown below:

Title page,

Item [30], **Foreign Application Priority Data**, please change "0-6063" to -- 9-6063 --.

Signed and Sealed this

Thirtieth Day of April, 2002

Attest:



Attesting Officer

JAMES E. ROGAN
Director of the United States Patent and Trademark Office