



US00D434483S

United States Patent [19] Pinchuk

[11] **Patent Number: Des. 434,483**

[45] **Date of Patent: ** Nov. 28, 2000**

[54] **PLUG-IN AIR PURIFIER**

[75] Inventor: **Rene C. Pinchuk**, Kensington, Calif.

[73] Assignee: **Sharper Image Corporation**, San Francisco, Calif.

[**] Term: **14 Years**

[21] Appl. No.: **29/113,408**

[22] Filed: **Nov. 4, 1999**

[51] **LOC (7) Cl.** **23-04**

[52] **U.S. Cl.** **D23/364**

[58] **Field of Search** 96/97; 261/DIG. 17,
261/DIG. 88, DIG. 89; D23/364

[56] **References Cited**

U.S. PATENT DOCUMENTS

D. 411,001 6/1999 Pinchuk D23/364

Primary Examiner—Lisa Lichtenstein
Attorney, Agent, or Firm—Flehr Hohbach Test Albritton & Herbert LLP

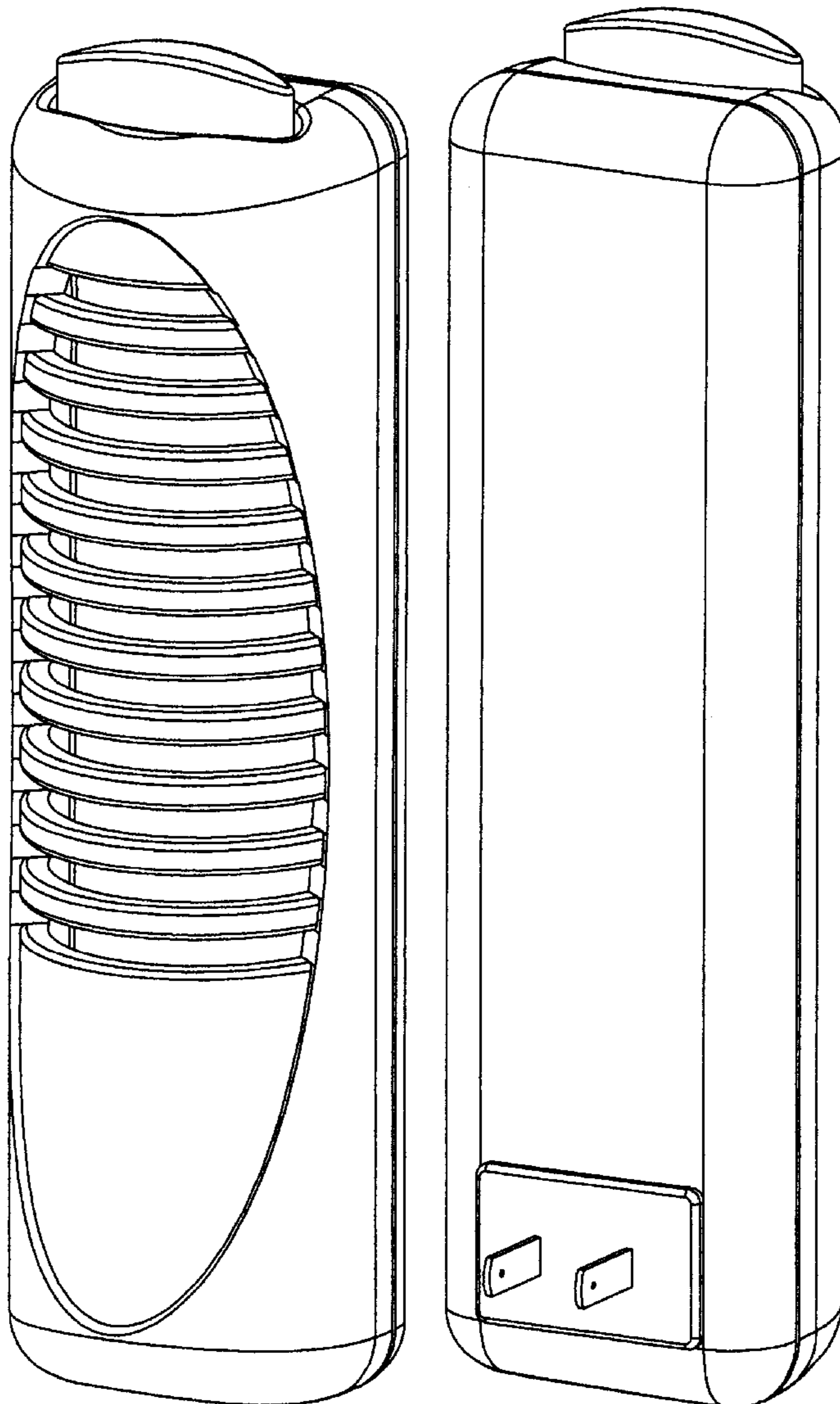
[57] **CLAIM**

The ornamental design for a plug-in air purifier, as shown.

DESCRIPTION

FIG. 1 is a front perspective view of a plug-in air purifier showing my new design;
FIG. 2 is a rear perspective view thereof;
FIG. 3 is a side elevation view of one side thereof;
FIG. 4 is a side elevation view of one side thereof;
FIG. 5 is a front elevation view thereof;
FIG. 6 is a rear elevation view of the other side thereof;
FIG. 7 is a top plan view thereof; and,
FIG. 8 is a bottom plan view thereof.

1 Claim, 4 Drawing Sheets



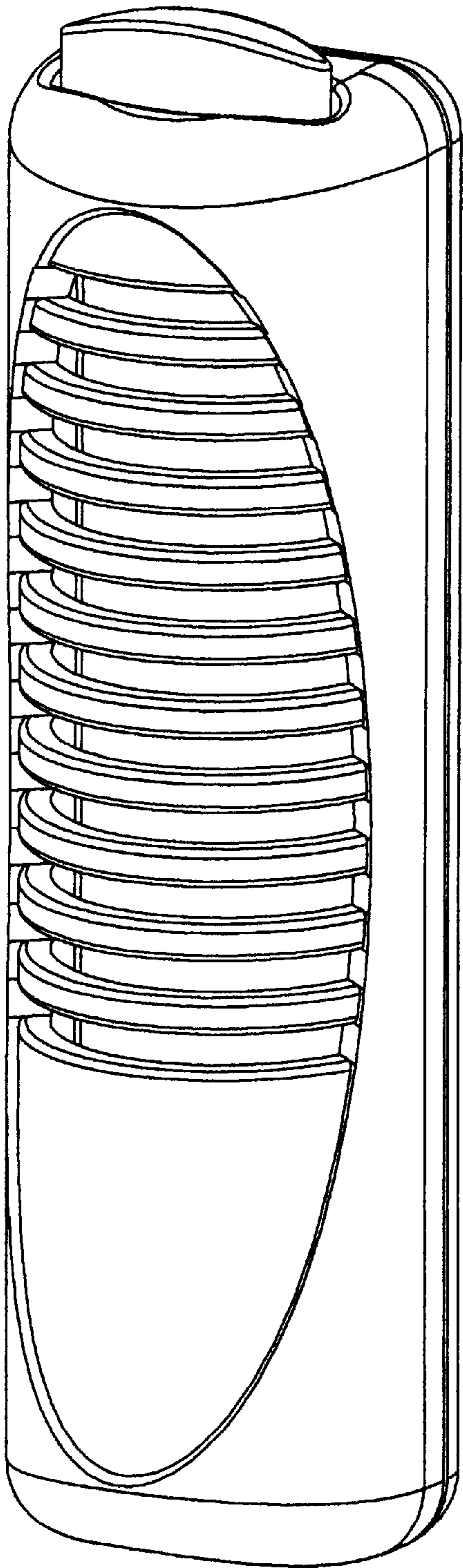


FIG. 1

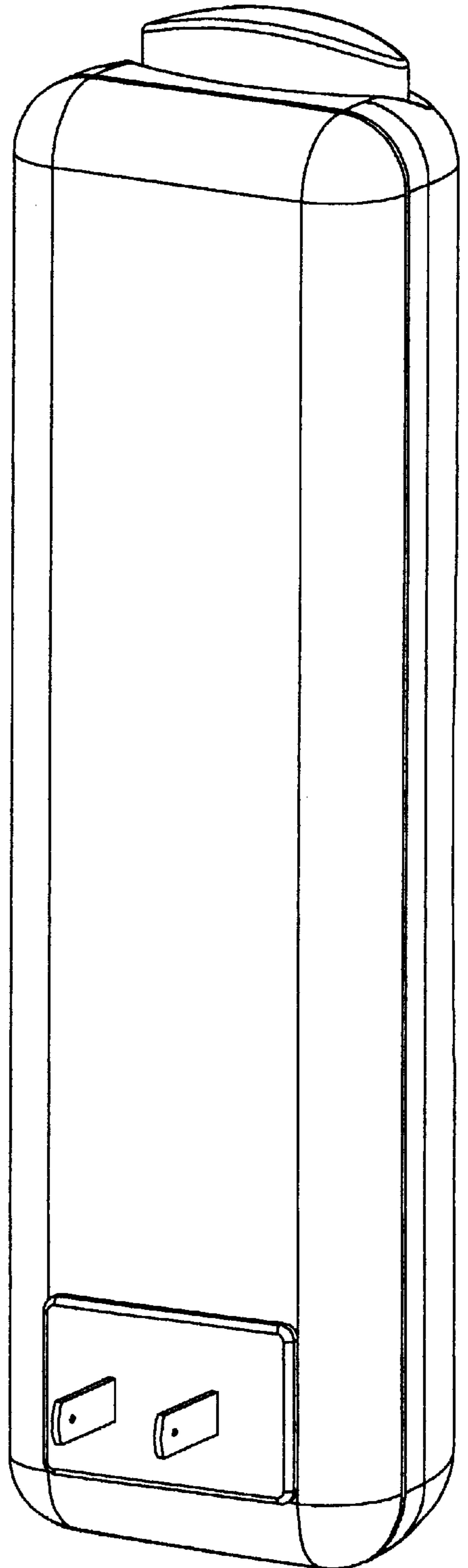


FIG. 2

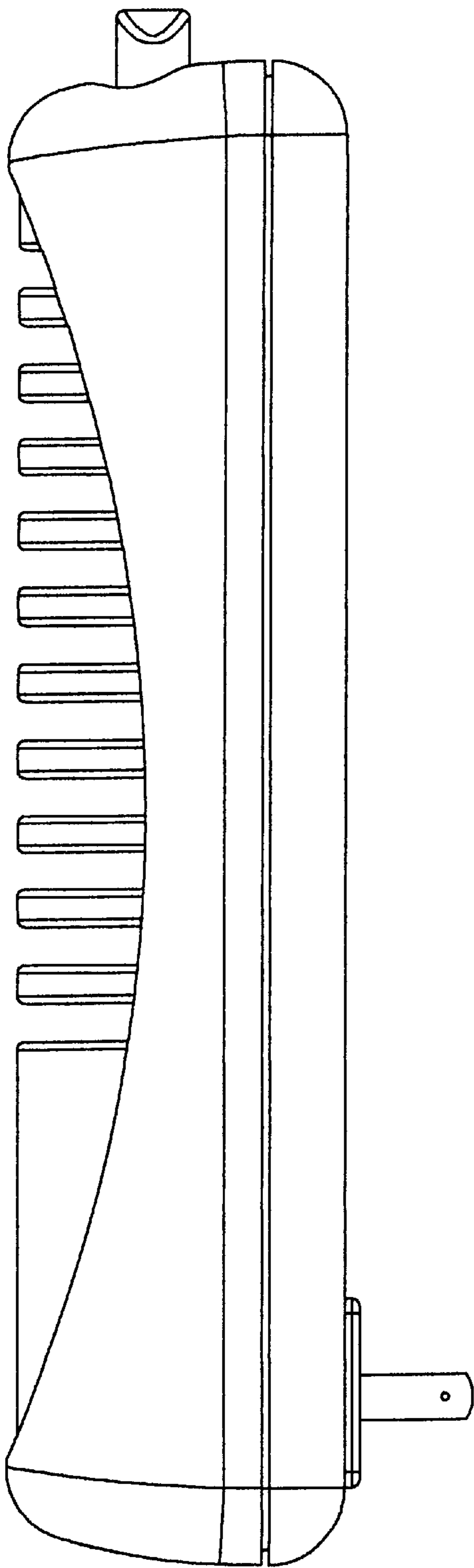


FIG. 3

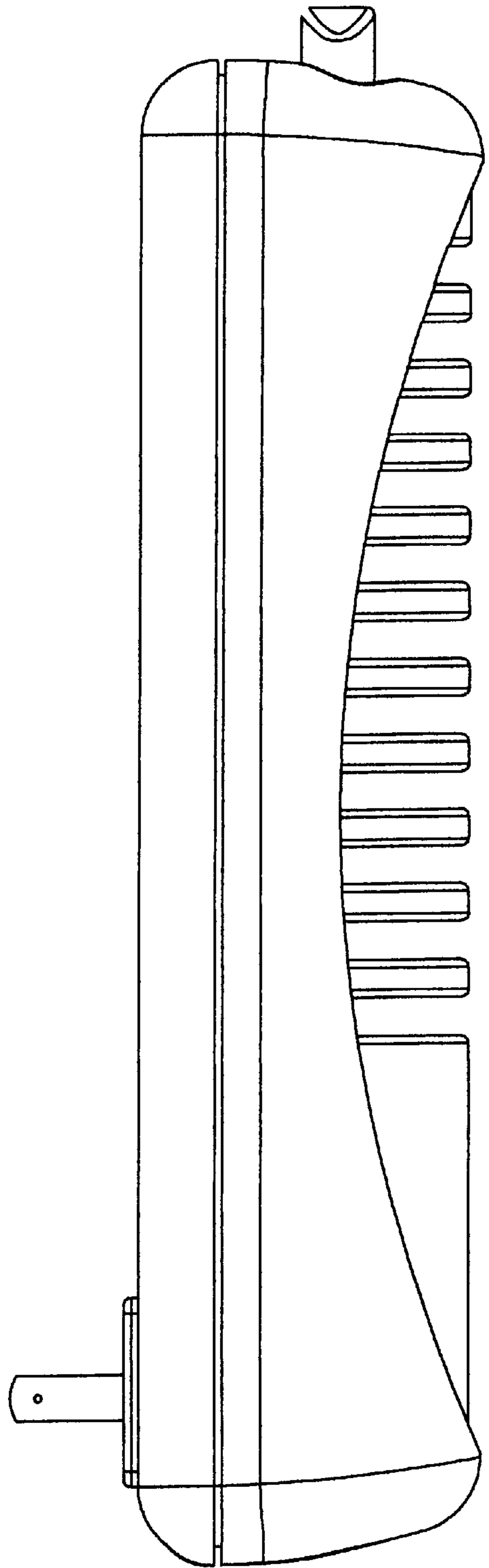


FIG. 4

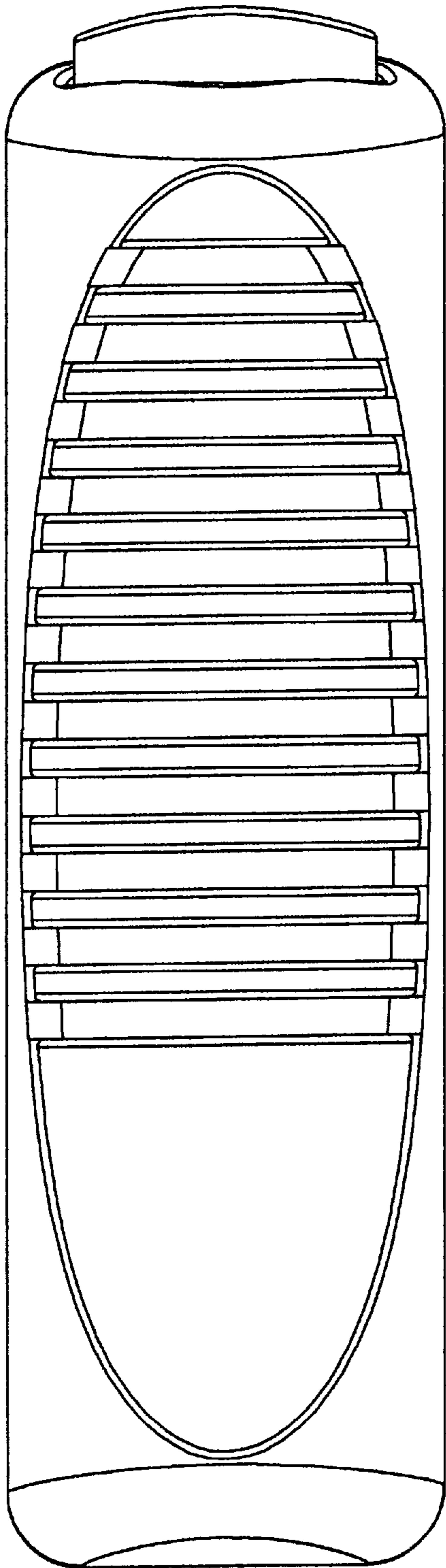


FIG. 5

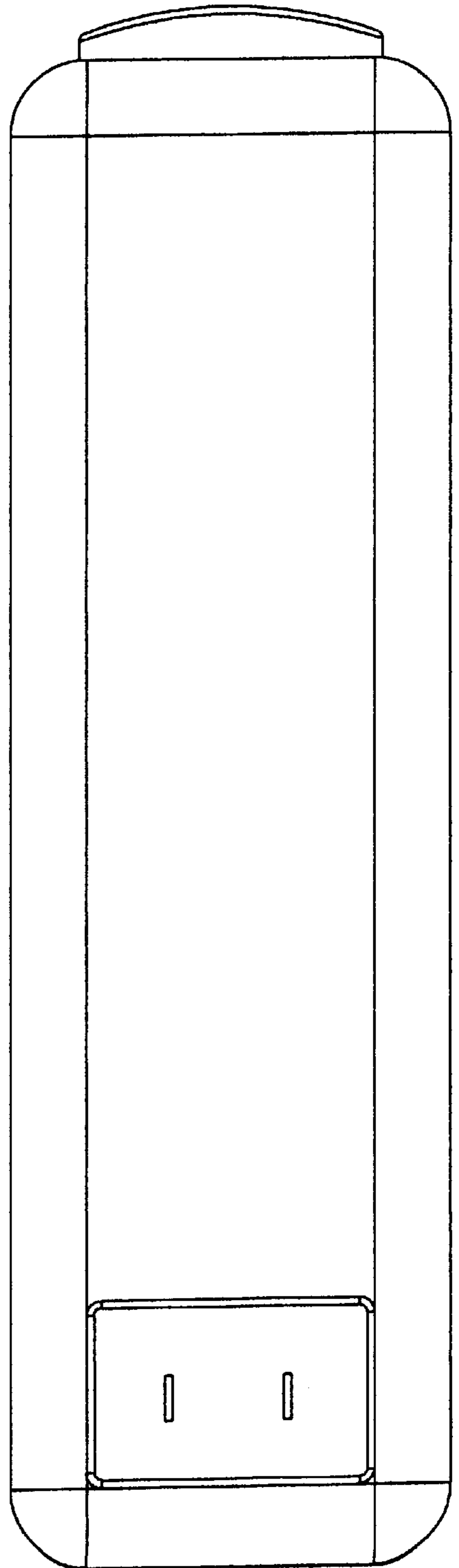


FIG. 6

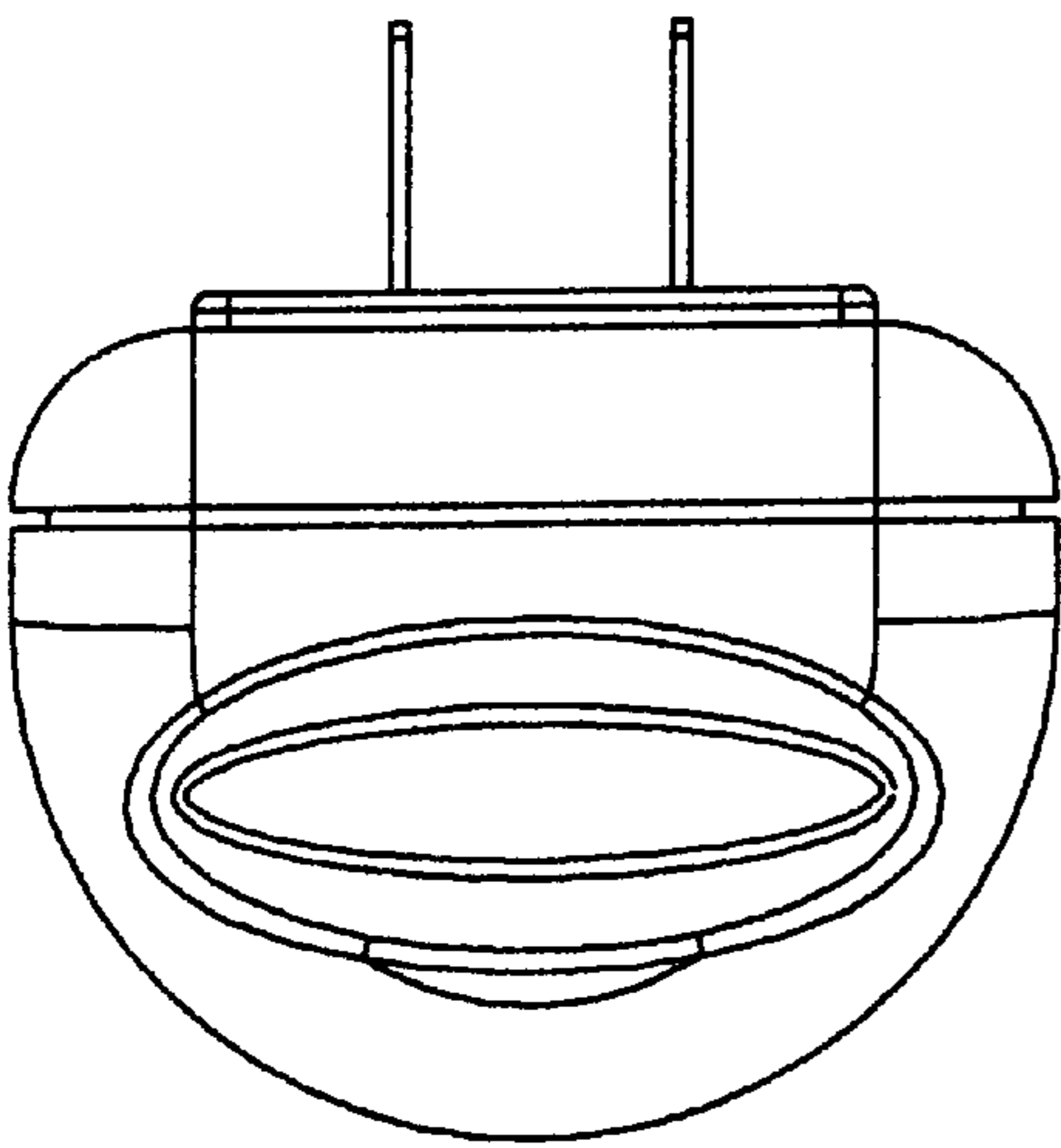


FIG. 7

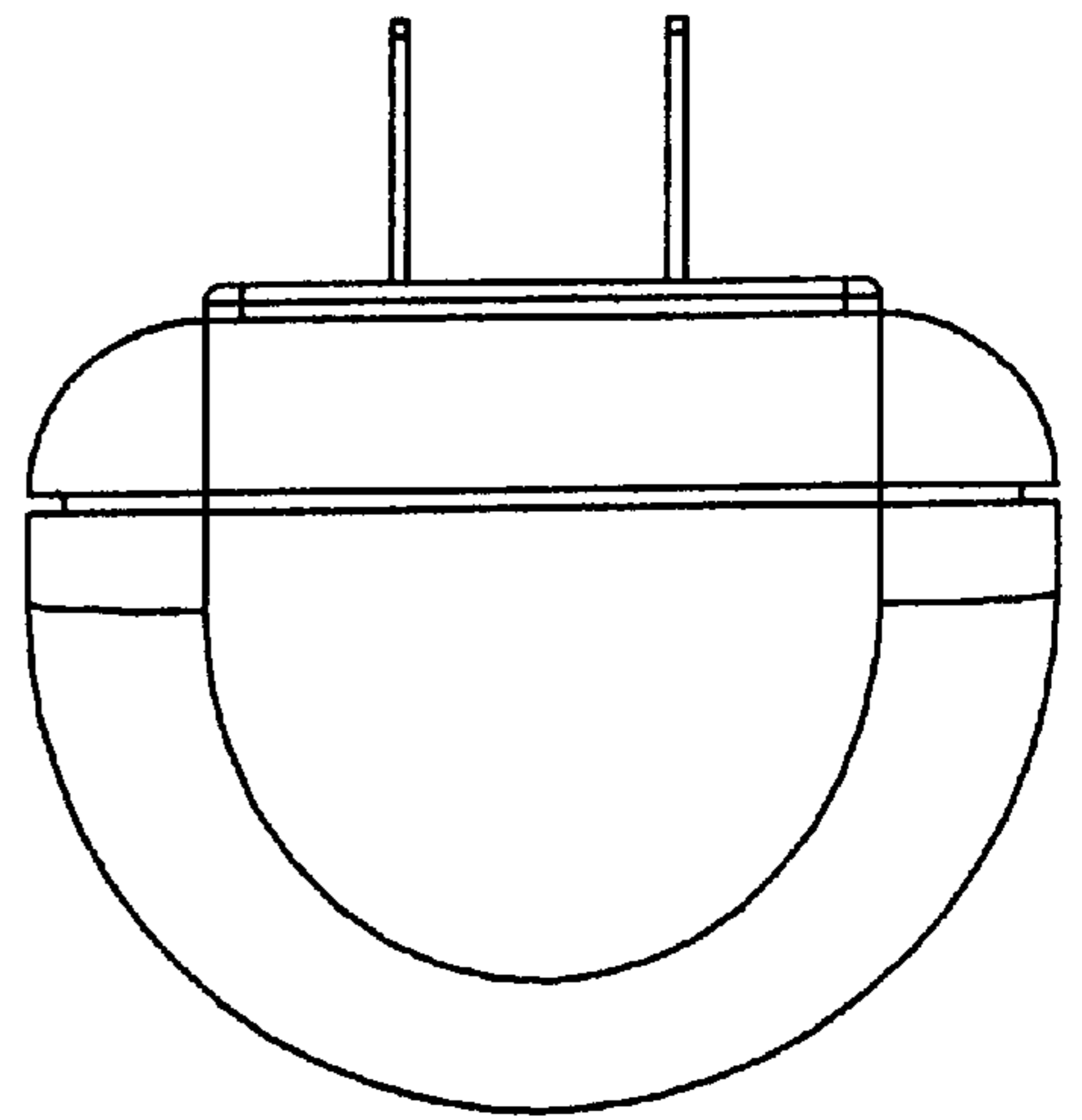


FIG. 8