



US00D434481S

United States Patent [19]

[11] **Patent Number: Des. 434,481**

Bornstein et al.

[45] **Date of Patent: ** Nov. 28, 2000**

[54] **FRAGRANCE AND/OR OTHER FUNCTIONAL VAPOR DELIVERY DEVICE**

*Primary Examiner—Lisa Lichtenstein
Attorney, Agent, or Firm—Arthur L. Liberman*

[75] Inventors: **Debra Marla Bornstein**, Cranford;
Isabel Christina Lopes, Livingston;
Jerome I. Lindauer, Hillsdale; **Peter J. Keane**, Bridgewater, all of N.J.

[57] CLAIM

The ornamental design for fragrance and/or other functional vapor delivery device, as shown and described.

[73] Assignee: **International Flavors & Fragrances Inc.**, New York, N.Y.

DESCRIPTION

[**] Term: **14 Years**

FIG. 1 is a perspective view of the fragrance and/or other functional vapor delivery device showing our new design; FIG. 2 is a front elevation view, taken along the lines 2—2 in FIG. 1, the rear and side views being identical to that shown except for the different colors; and, FIG. 3 is a top plan view thereof.

[21] Appl. No.: **29/093,526**

The surface(s) or portion(s) of the article not shown in the drawing or described in the specification form(s) no part of the claimed design.

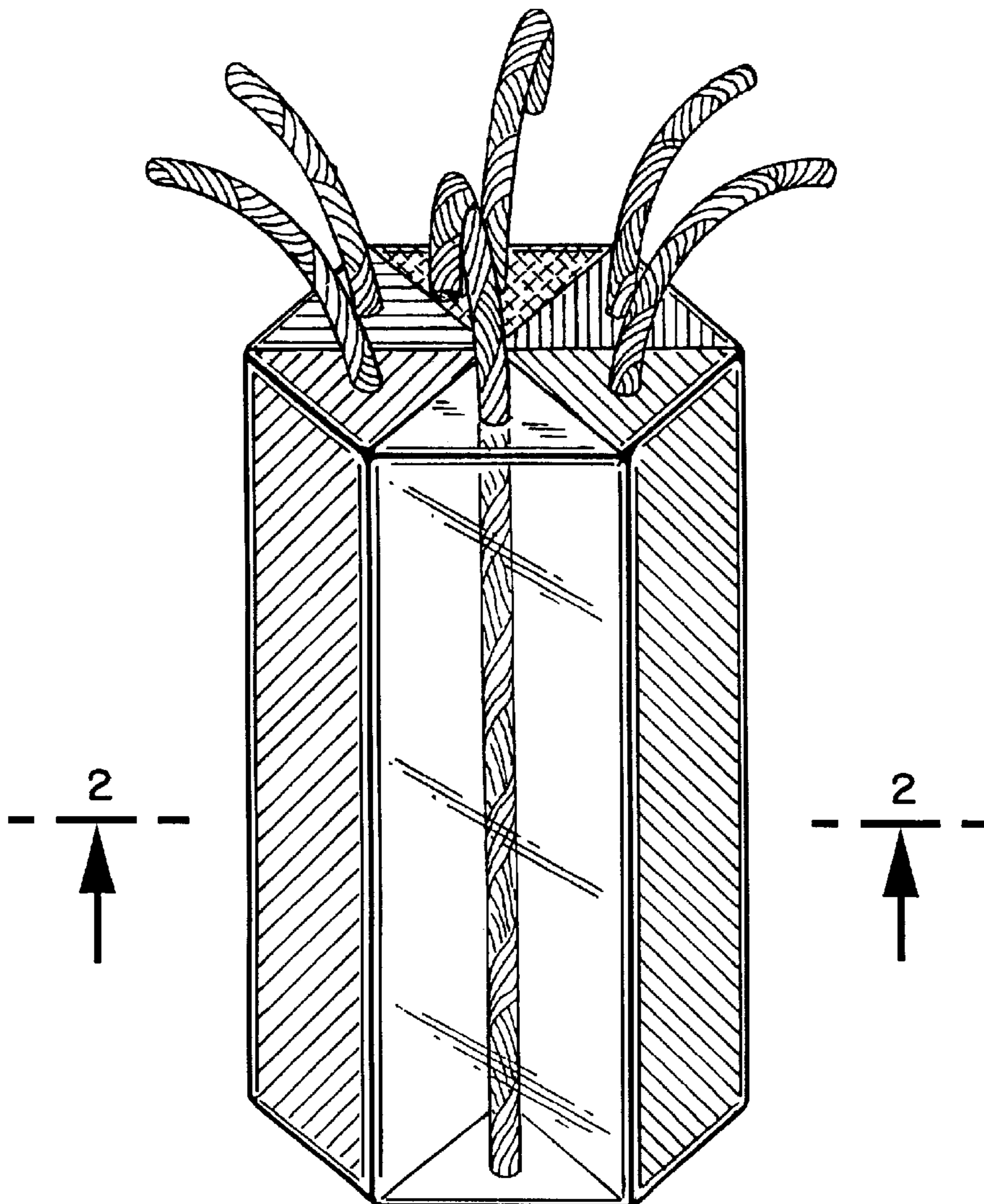
[22] Filed: **Sep. 10, 1998**

[51] **LOC (7) Cl.** **23-04**

[52] **U.S. Cl.** **D23/360; D23/366**

[58] **Field of Search** **D23/366-369,
D23/360; 261/104, 107, DIG. 17; 239/44-51,
5.15**

1 Claim, 2 Drawing Sheets



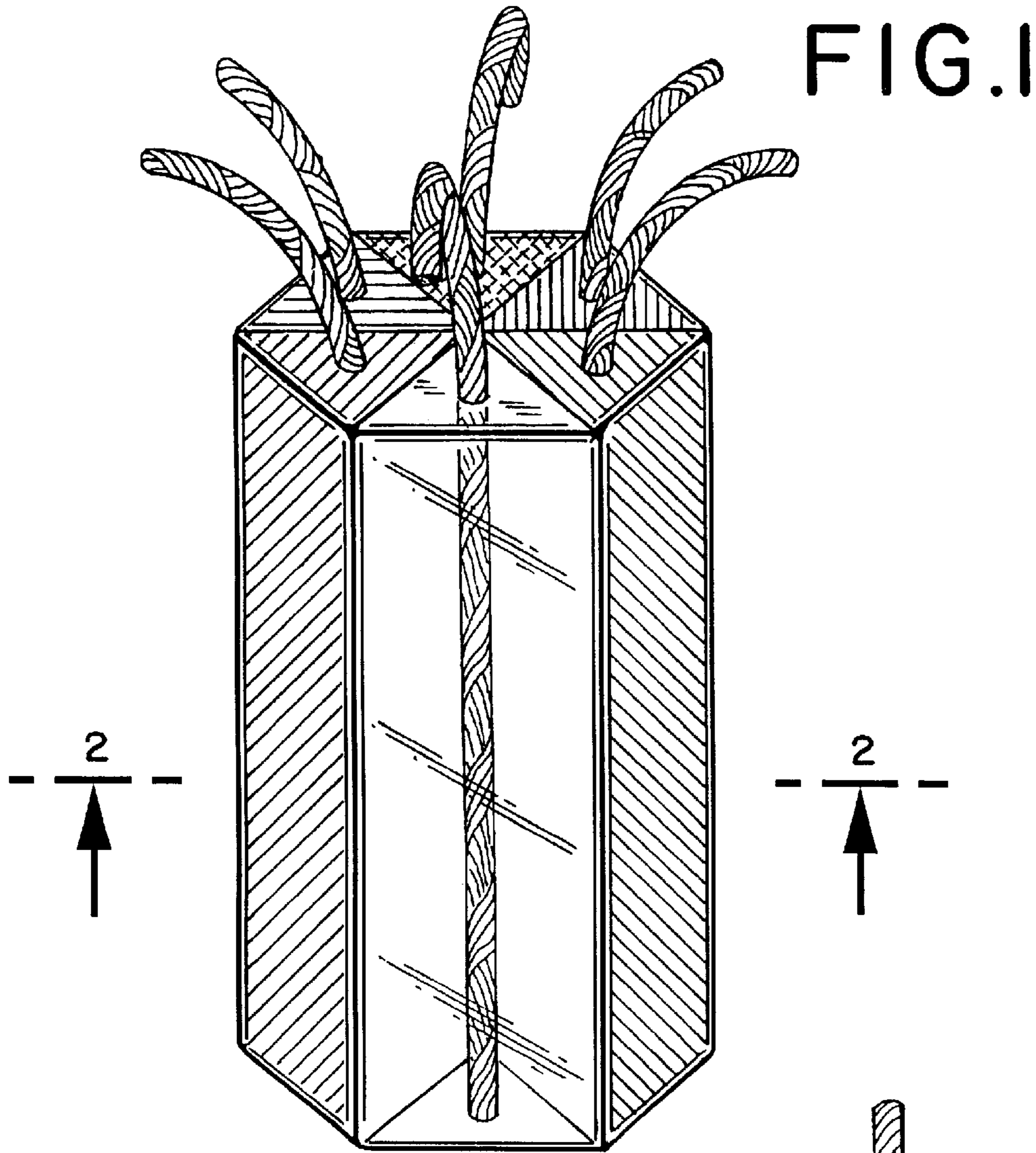
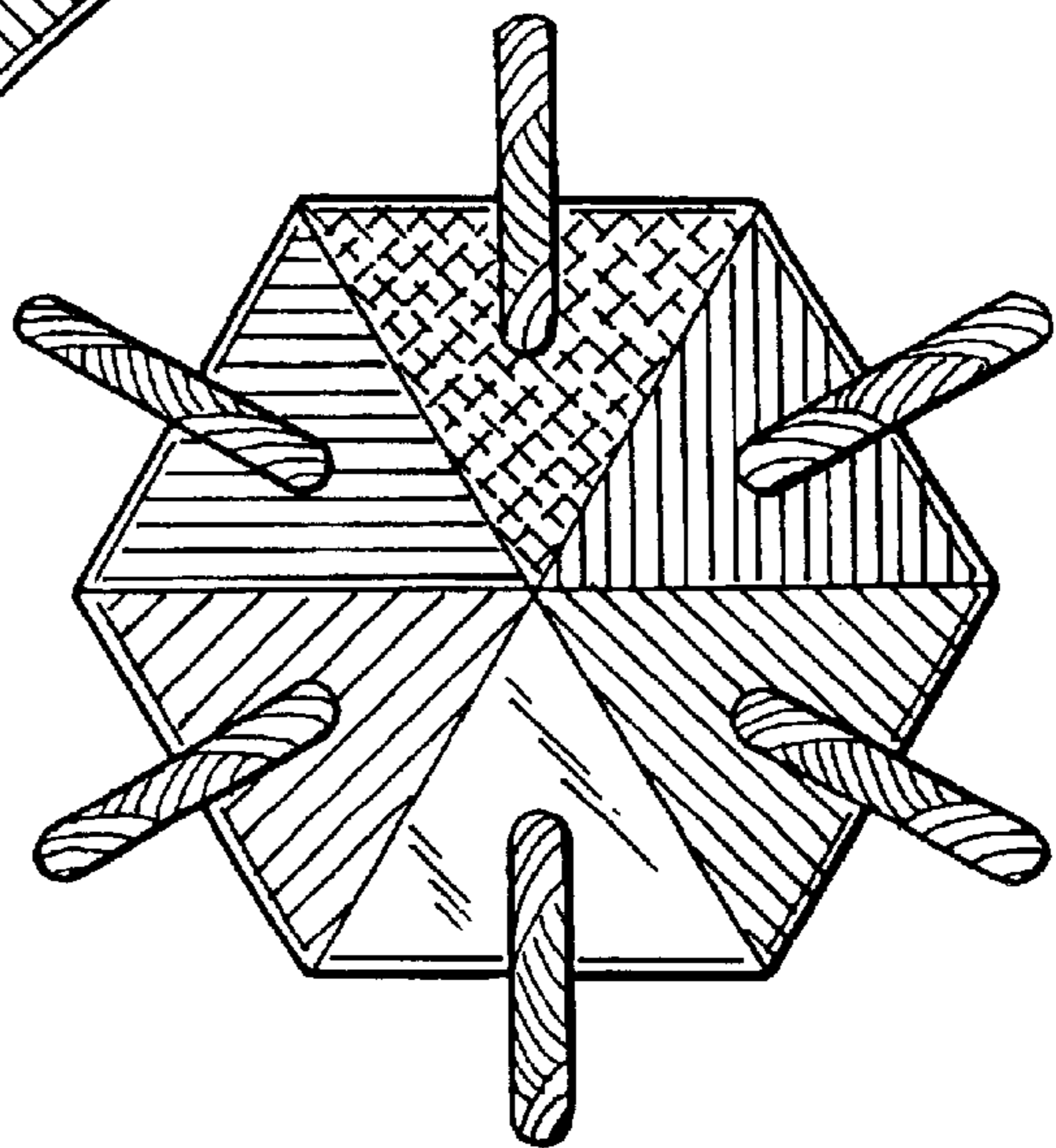


FIG. 3



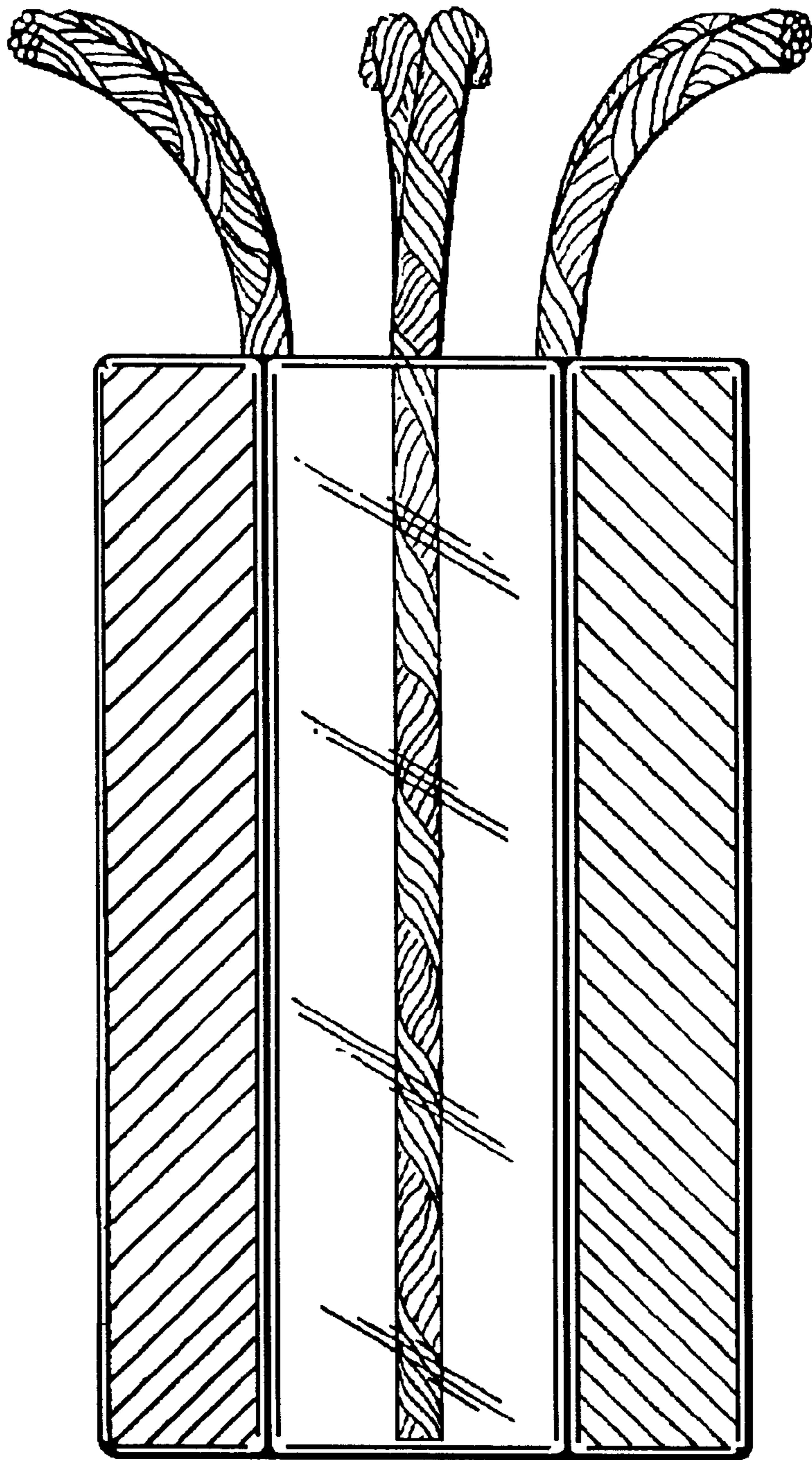


FIG. 2