



US00D434478S

United States Patent [19]
Sanders

[11] **Patent Number: Des. 434,478**

[45] **Date of Patent: ** Nov. 28, 2000**

[54] **LIQUID AND SEDIMENT COLLECTOR**

[76] Inventor: **John M. Sanders**, 2108 Fairway Dr.,
Minneapolis, Minn. 55421

[**] Term: **14 Years**

[21] Appl. No.: **29/081,424**

[22] Filed: **Jan. 2, 1997**

[51] **LOC (7) Cl.** **23-01**

[52] **U.S. Cl.** **D23/266**

[58] **Field of Search** D15/5, 6; 261/4,
261/72.1, 44.3, 7, 8, 73, 721; 210/94, 167;
138/89; 285/127, 128; D23/266

[56] **References Cited**

U.S. PATENT DOCUMENTS

1,420,886	6/1922	Stokes	261/73
3,139,628	7/1964	Richards	D23/266
4,333,826	6/1982	Albertson	.	
4,793,950	12/1988	Hedlund	.	
5,124,084	6/1992	Eide	.	

Primary Examiner—Ralf Seifert
Attorney, Agent, or Firm—Burd, Bartz and Gutenkauf

[57] **CLAIM**

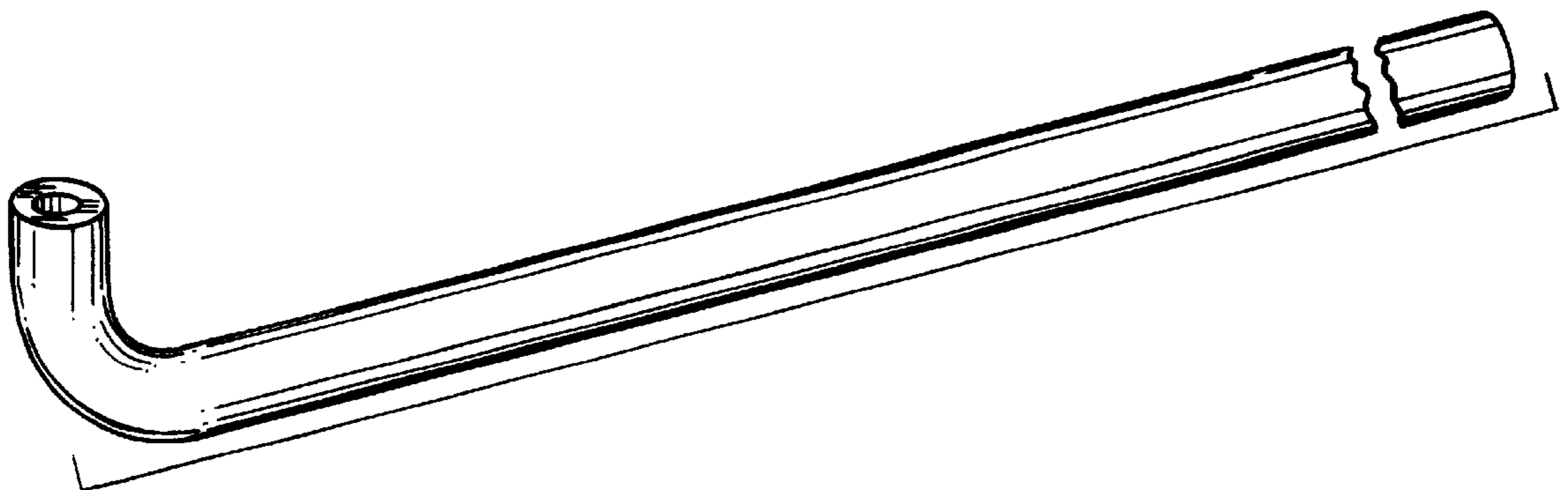
The ornamental design of an liquid and sediment collector,
as shown and described.

DESCRIPTION

FIG. 1 is a foreshortened perspective view of the liquid and
sediment collector of my new design;
FIG. 2 is a side elevational view thereof, the opposite side
elevational view is a mirror image thereof;

FIG. 3 is a top plan view thereof;
FIG. 4 is a bottom plan view thereof;
FIG. 5 is an end elevational view of the left end thereof;
FIG. 6 is an end elevational view of the right end thereof;
FIG. 7 is a foreshortened perspective view of a liquid and
sediment collector showing a third embodiment of my new
design;
FIG. 8 is a side elevational view of FIG. 7, the opposite side
elevational view is a mirror image thereof;
FIG. 9 is a top plan view of FIG. 7;
FIG. 10 is a bottom plan view of FIG. 7;
FIG. 11 is an end elevational view of the left end of FIG. 7;
FIG. 12 is an end elevational view of the right end of FIG.
7;
FIG. 13 is a foreshortened perspective view of a liquid and
sediment collector showing a third embodiment of my new
design;
FIG. 14 is a side elevational view of FIG. 13, the opposite
side elevational view is a mirror image thereof;
FIG. 15 is a top plan view of FIG. 13;
FIG. 16 is a bottom plan view of FIG. 13;
FIG. 17 is an end elevational view of the left end of FIG. 13;
FIG. 18 is an end elevational view of the right end of FIG.
13;
FIG. 19 is a foreshortened perspective view of a liquid and
sediment collector showing a fourth embodiment of my new
design;
FIG. 20 is a side elevational view of FIG. 19, the opposite
side elevational view is a mirror image thereof;
FIG. 21 is a top plan view of FIG. 19;
FIG. 22 is a bottom plan view of FIG. 19.
FIG. 23 is an end elevational view of the left end of FIG. 19;
and,
FIG. 24 is an end elevational view of the right end of FIG.
19.

1 Claim, 4 Drawing Sheets



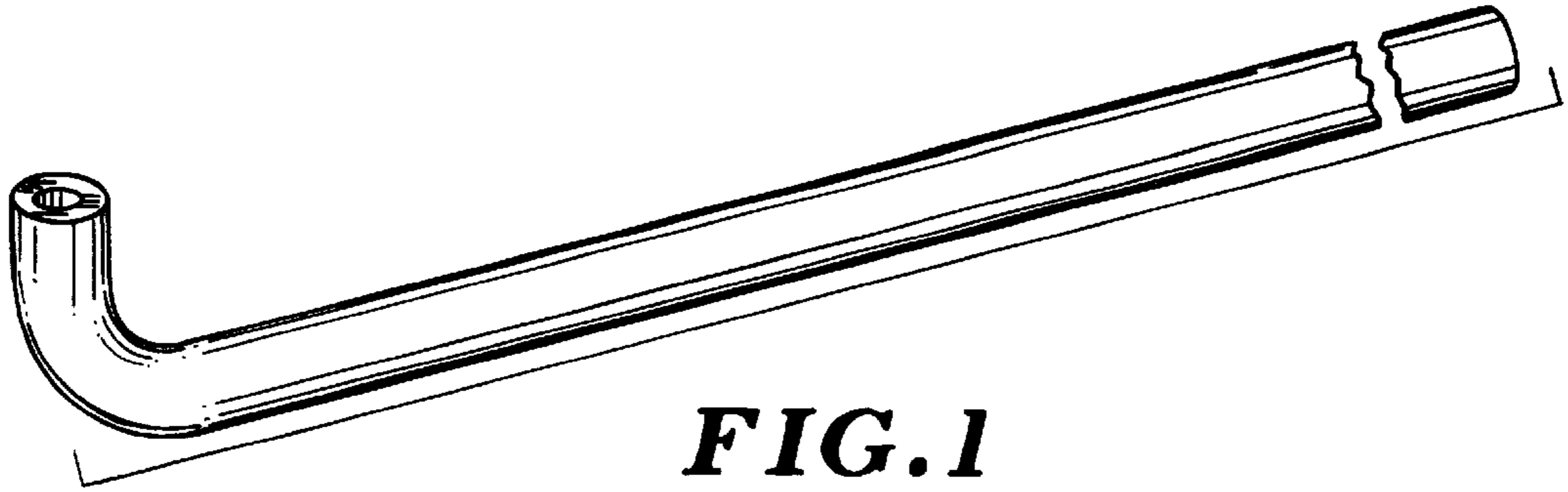


FIG. 1

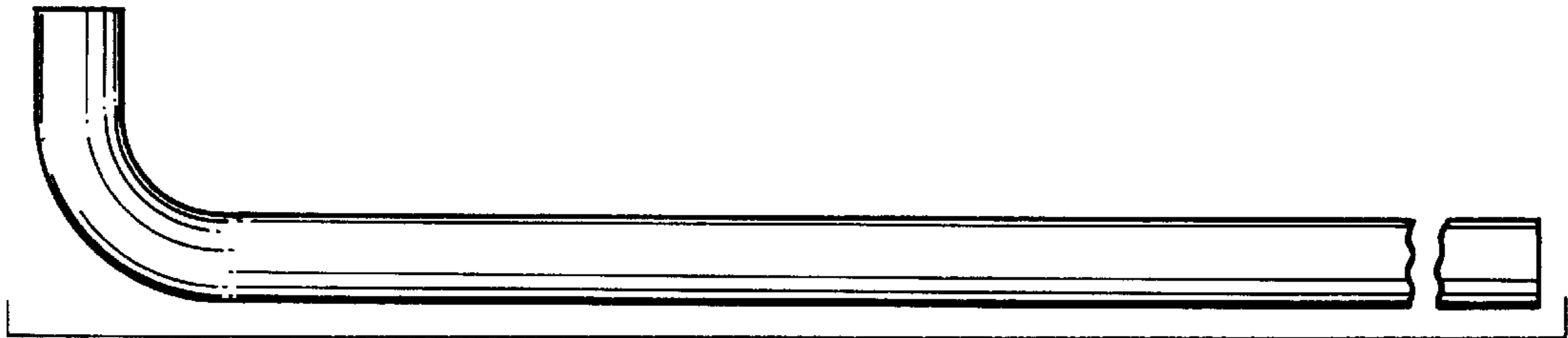


FIG. 2

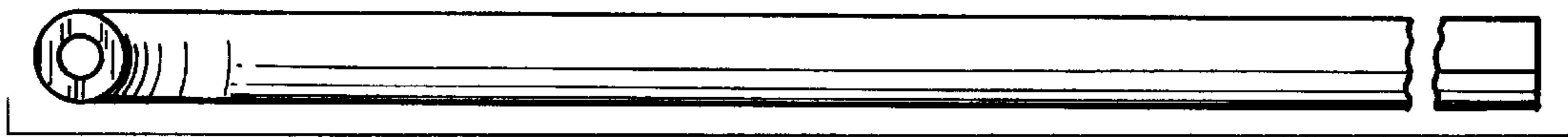


FIG. 3

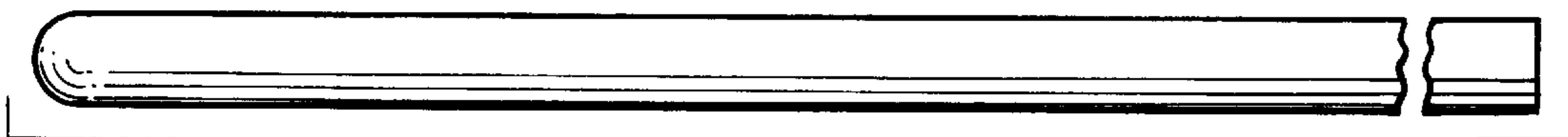


FIG. 4



FIG. 5



FIG. 6

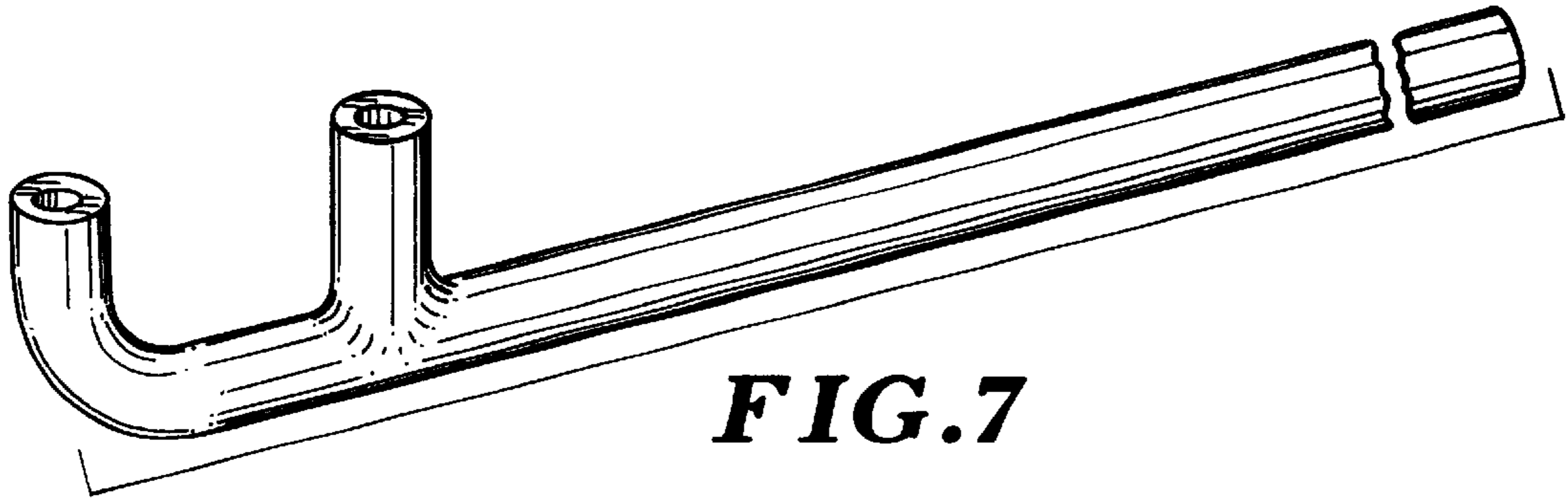


FIG. 7



FIG. 8

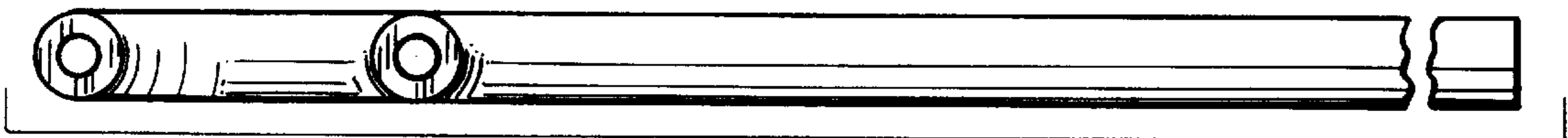


FIG. 9

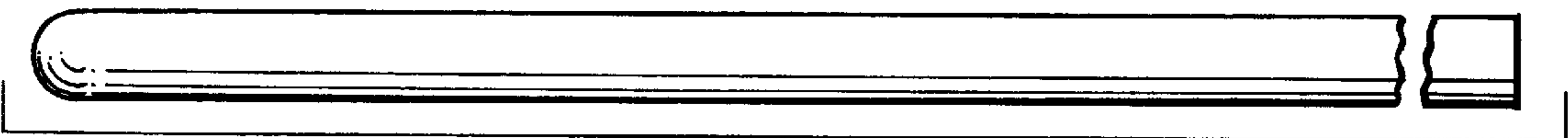


FIG. 10



FIG. 11



FIG. 12

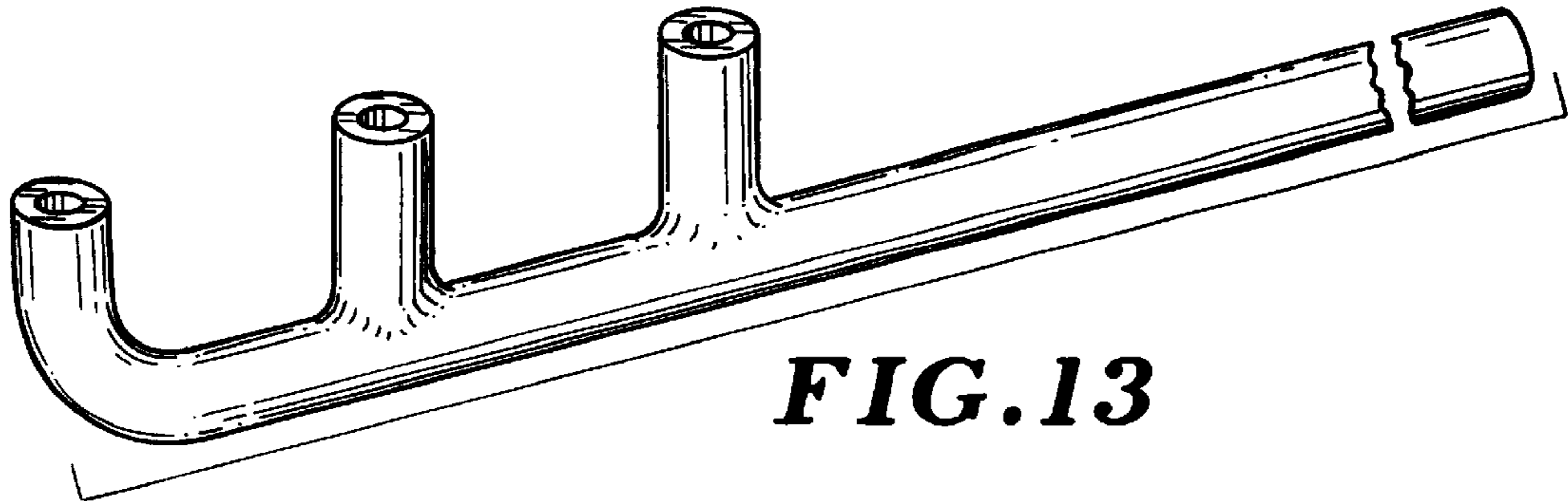


FIG. 13

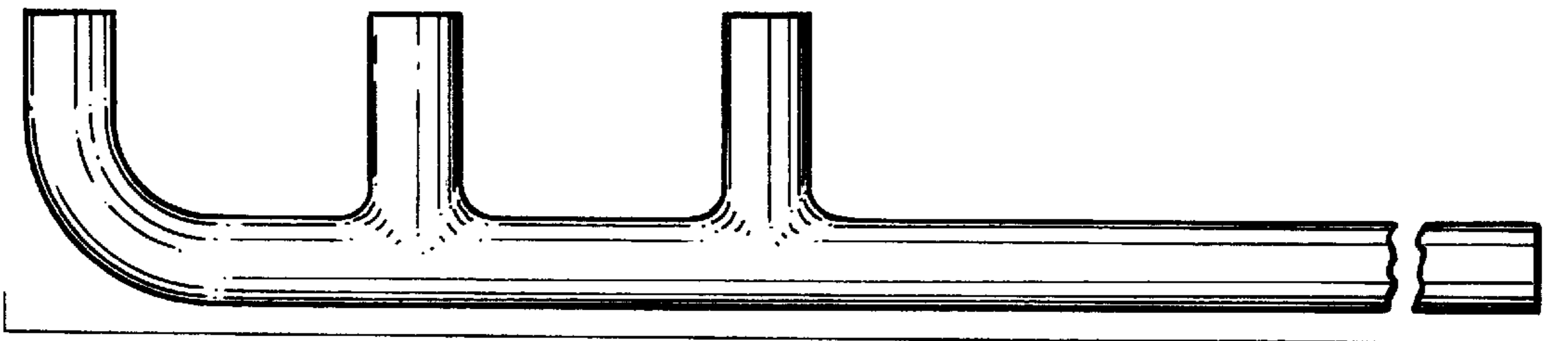


FIG. 14



FIG. 15

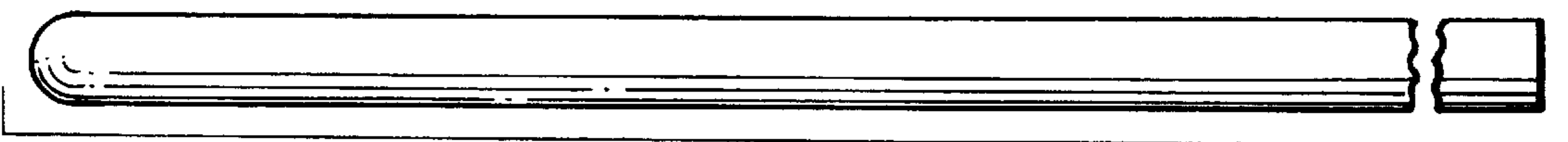


FIG. 16



FIG. 17

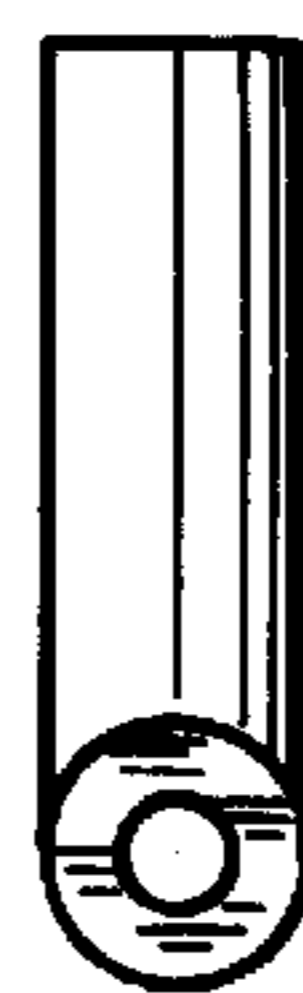


FIG. 18

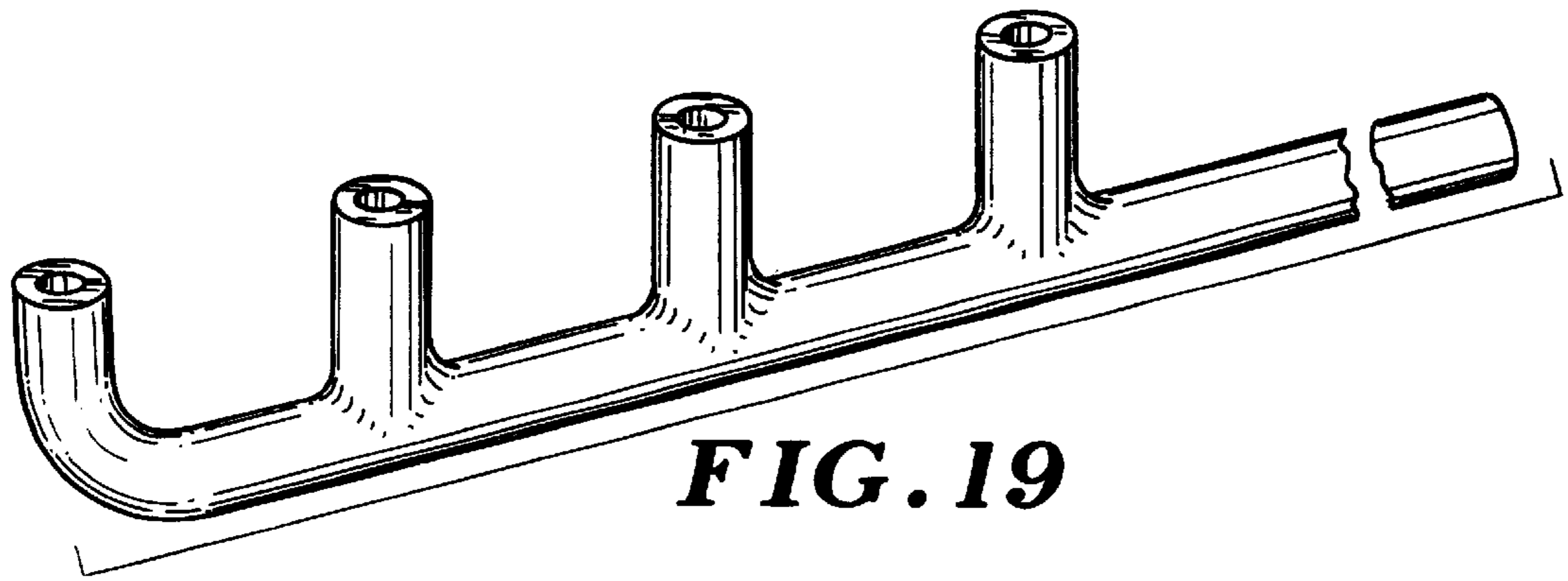


FIG. 19

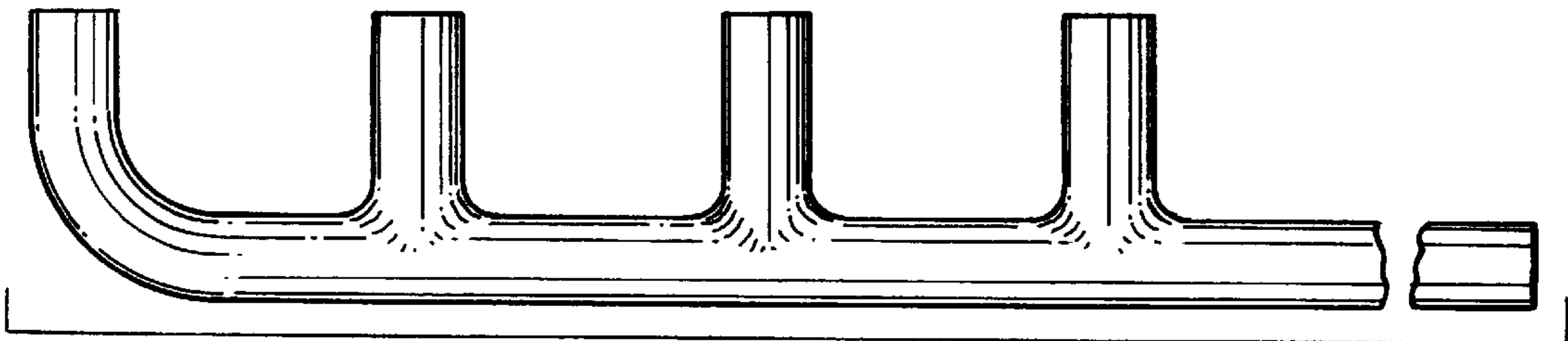


FIG. 20

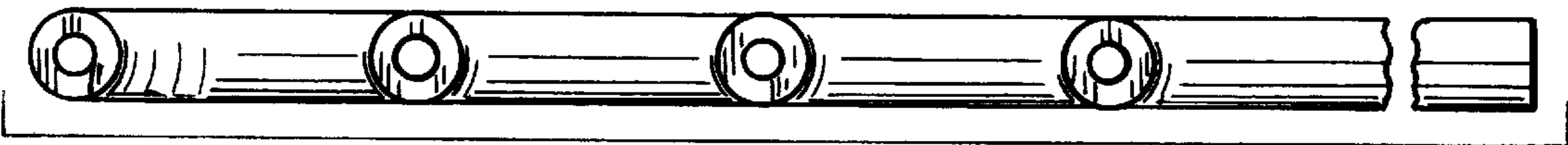


FIG. 21

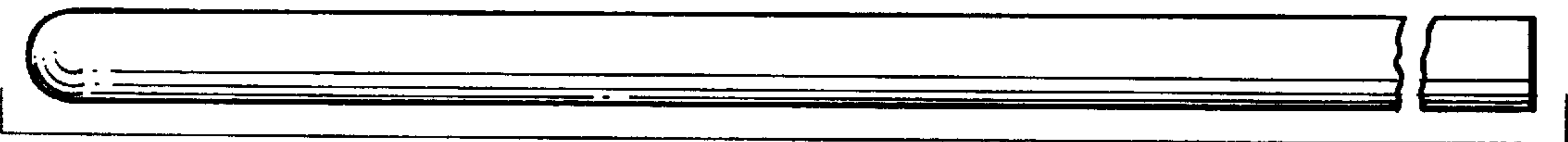


FIG. 22



FIG. 23



FIG. 24