



US00D434471S

United States Patent [19]
Jörger

[11] **Patent Number: Des. 434,471**

[45] **Date of Patent: ** Nov. 28, 2000**

[54] **WATER FITTING**

[76] Inventor: **Gerhard Erwin Jörger**,
Schauinslandweg 29, 69198
Schriesheim, Germany

[**] Term: **14 Years**

[21] Appl. No.: **29/110,574**

[22] Filed: **Sep. 9, 1999**

[30] **Foreign Application Priority Data**

Mar. 9, 1999 [DE] Germany 4 99 02 461

[51] **LOC (7) Cl.** **23-01**

[52] **U.S. Cl.** **D23/241**

[58] **Field of Search** D23/238-257;
D8/300-310; 4/675-678; 137/801

[56] **References Cited**

U.S. PATENT DOCUMENTS

- D. 312,495 11/1990 Joerger D23/242
- D. 322,658 12/1991 Kohler, Jr. et al. D23/255
- D. 322,839 12/1991 Kohler, Jr. D23/254

- D. 322,841 12/1991 Kohler, Jr. et al. D23/254
- D. 323,375 1/1992 Razumov D23/242
- D. 373,179 8/1996 Sieger D23/241

Primary Examiner—Louis S. Zarfes
Assistant Examiner—Gregory Andoll
Attorney, Agent, or Firm—Horst M. Kasper

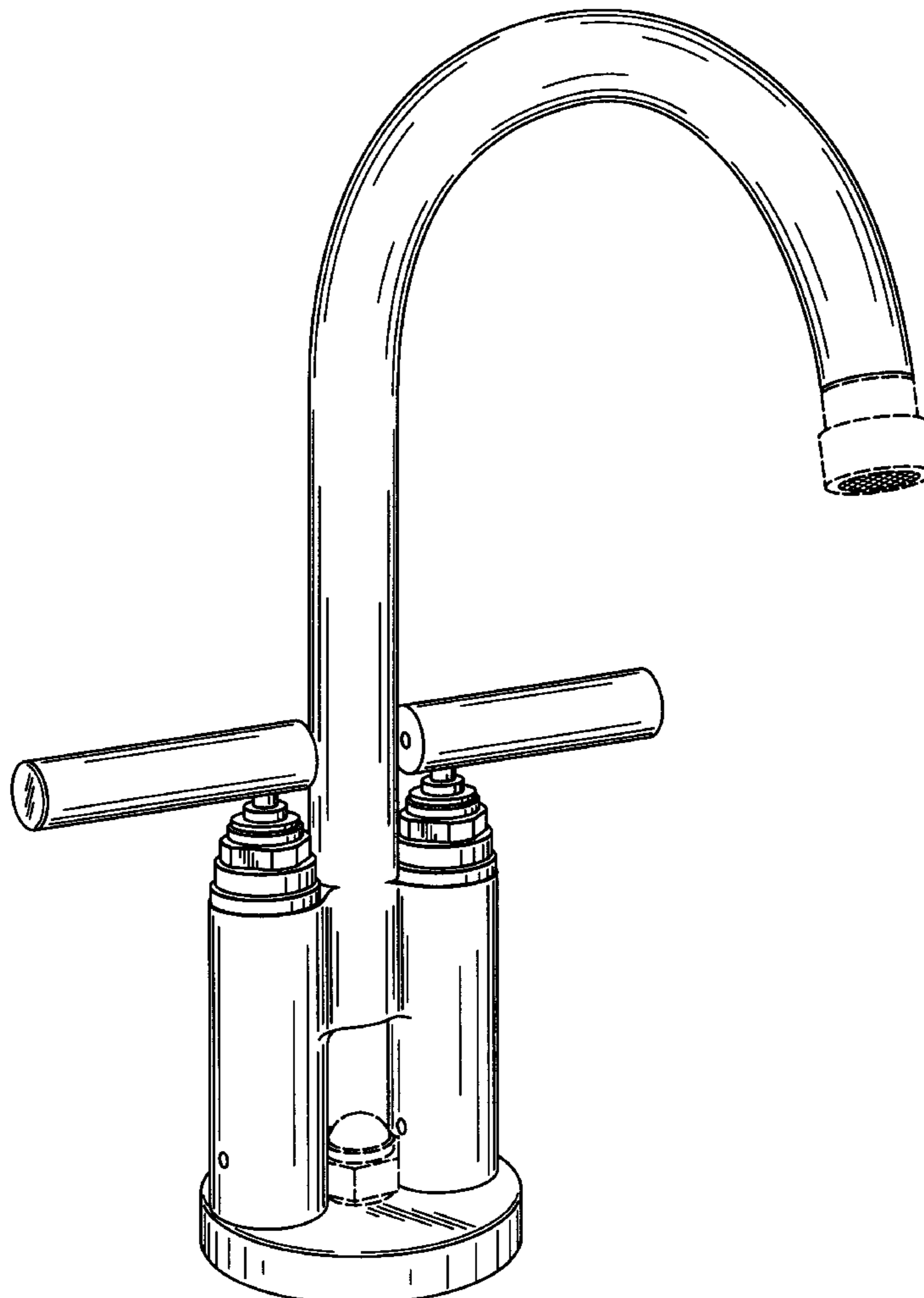
[57] **CLAIM**

The ornamental design for a water fitting, as shown and described.

DESCRIPTION

FIG. 1 is a perspective view of a water fitting showing my new design;
FIG. 2 is a front elevational view thereof;
FIG. 3 is a left elevational view thereof; a right elevational view is the same; and,
FIG. 4 is a top plan view thereof.
The surfaces of the water fitting that are not shown form no part of the claimed design.
The broken lines are for illustrative purposes only and form no part of the claimed design.

1 Claim, 4 Drawing Sheets



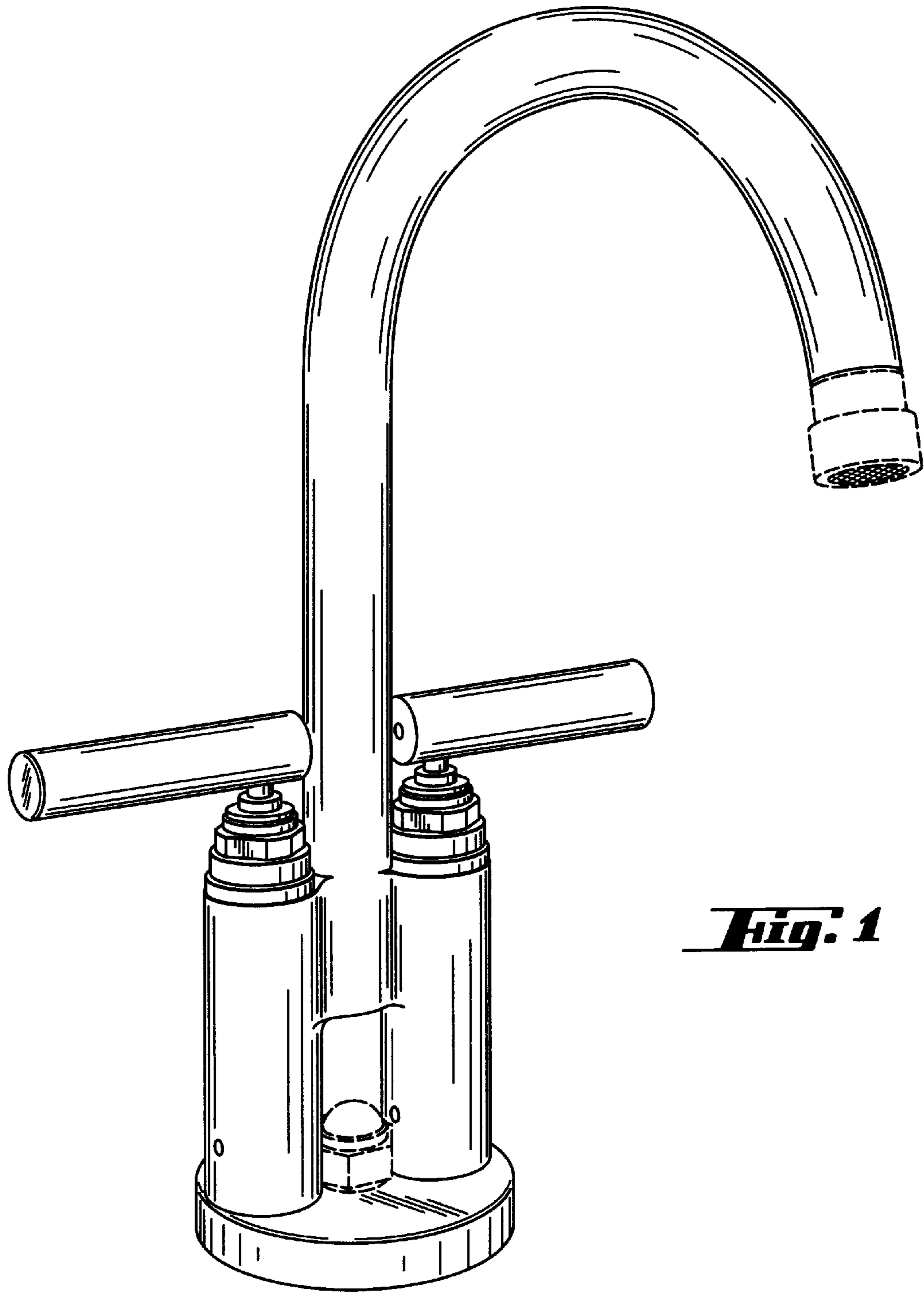


Fig. 1

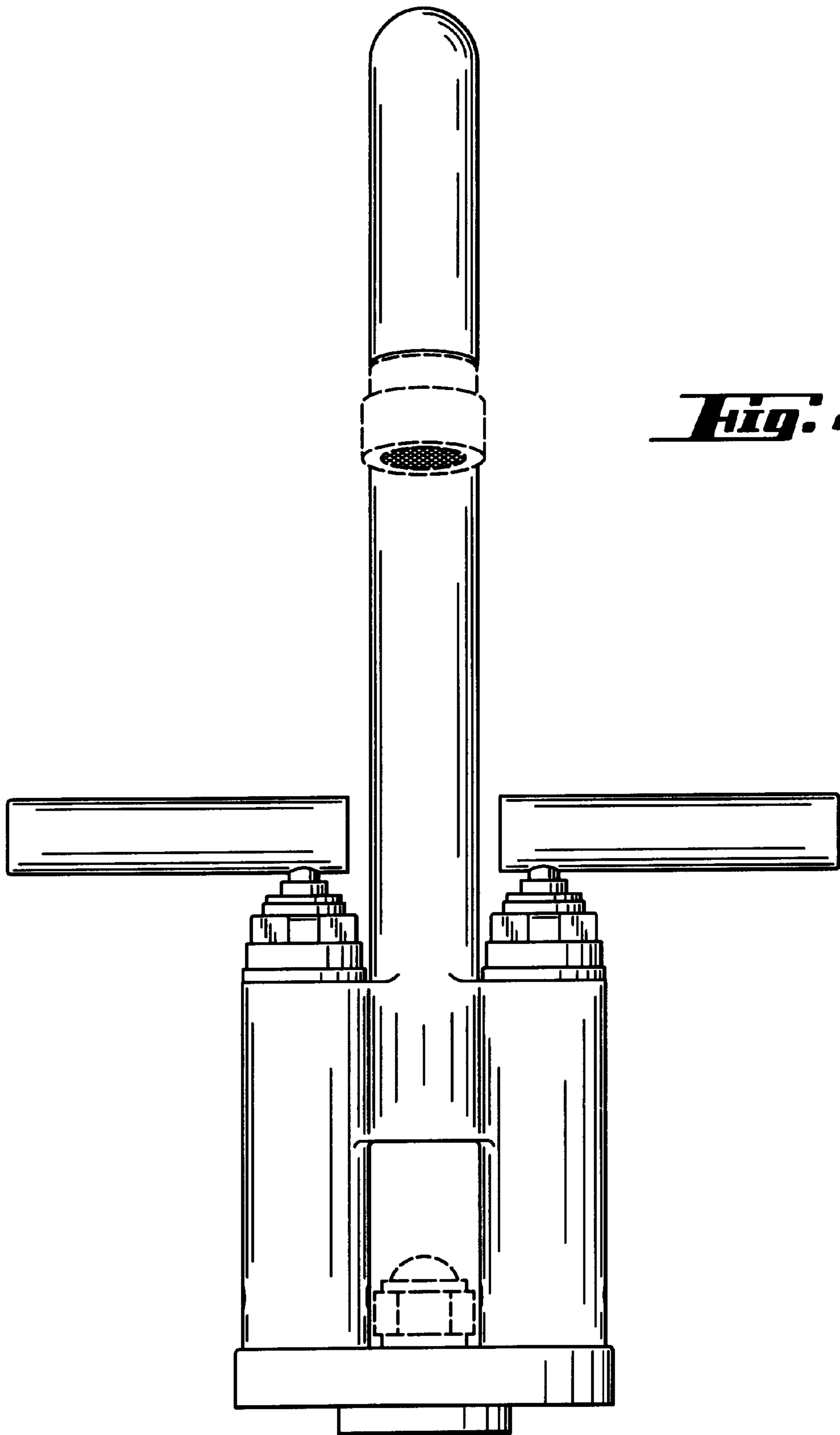


Fig. 2

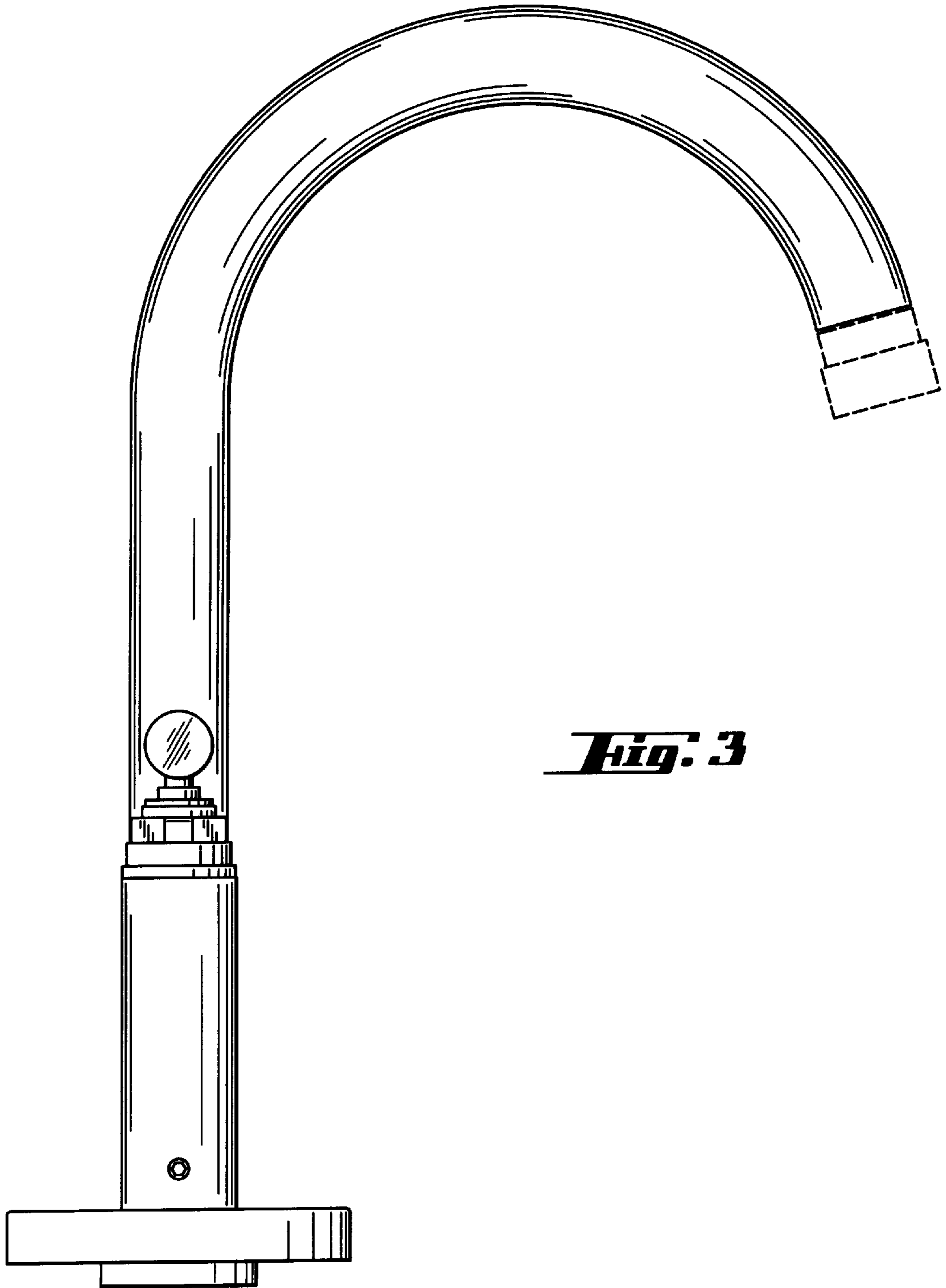


Fig. 3

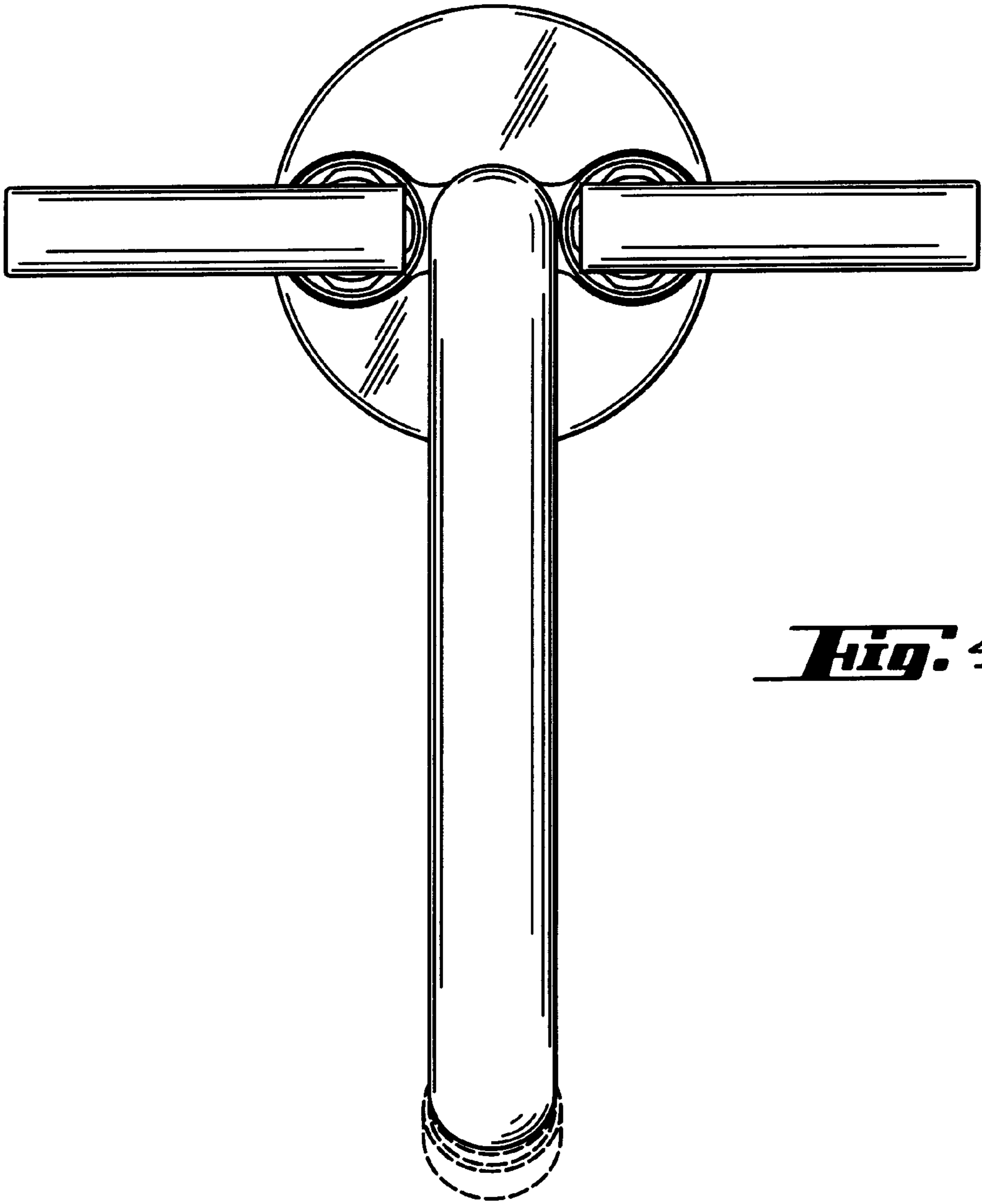


Fig. 4