

US00D434470S

United States Patent [19]
Fleischmann

[11] **Patent Number: Des. 434,470**

[45] **Date of Patent: ** Nov. 28, 2000**

[54] **SANITARY FAUCET**

D. 409,284 5/1999 Gottwald D23/238
D. 424,170 4/1999 Fleischmann D23/238

[75] Inventor: **Klaus Fleischmann**, Krefeld, Germany

[73] Assignee: **Hansa Metallwerke AG**, Germany

[**] Term: **14 Years**

Primary Examiner—Louis S. Zarfes
Assistant Examiner—Gregory Andoll

[21] Appl. No.: **29/118,900**

[22] Filed: **Feb. 17, 2000**

[57] **CLAIM**

I claim the ornamental design for a sanitary faucet, as shown and described.

[30] **Foreign Application Priority Data**

DESCRIPTION

Aug. 20, 1999 [DE] Germany 4 99 07 675

FIG. 1 is a left side elevation of a sanitary faucet, which is a mirror-image of the right side, showing of my new design; FIG. 2 is a front view thereof; FIG. 3 is a rear view thereof; FIG. 4 is a top view thereof; FIG. 5 is a bottom view thereof; and, FIG. 6 is a perspective view thereof.

[51] **LOC (7) Cl.** **23-01**

[52] **U.S. Cl.** **D23/238**

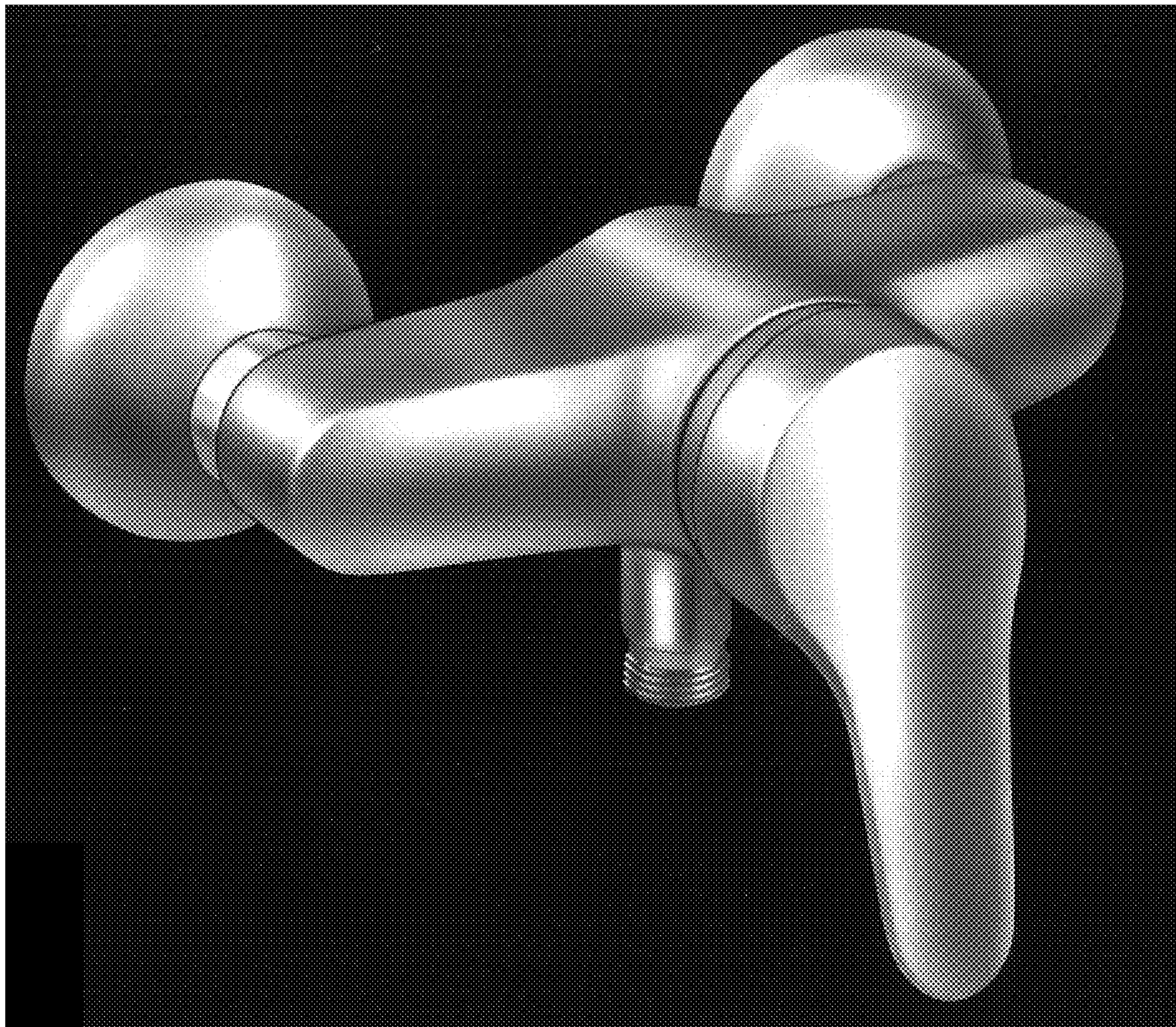
[58] **Field of Search** D23/238-257;
D8/300-310; 4/675-678; 137/801

[56] **References Cited**

U.S. PATENT DOCUMENTS

D. 408,502 4/1999 Lobermeier D23/238

1 Claim, 6 Drawing Sheets



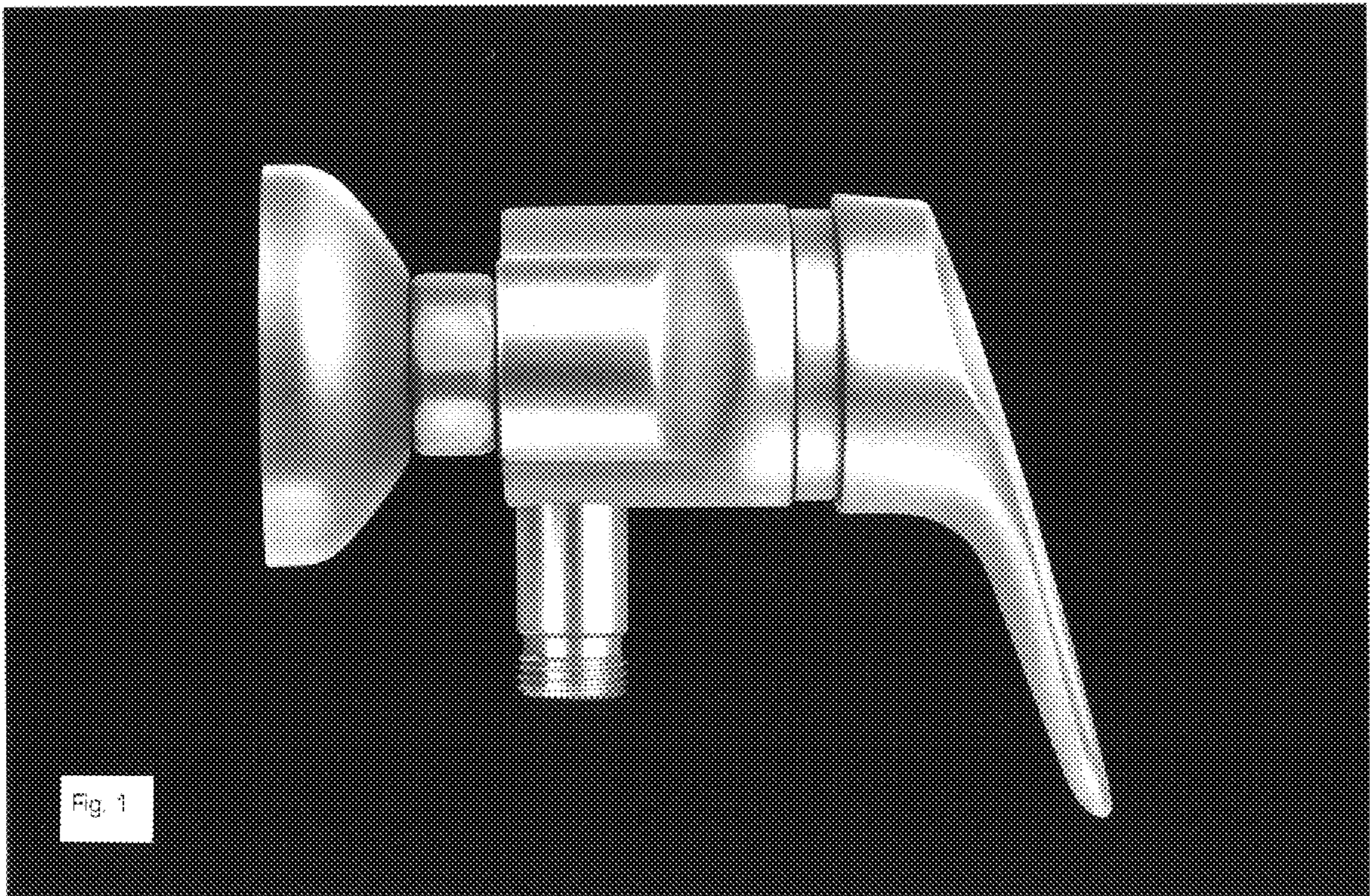


Fig. 1

