



US00D434469S

United States Patent [19]
Shaw

[11] **Patent Number: Des. 434,469**

[45] **Date of Patent: ** Nov. 28, 2000**

[54] **AIR VALVE ADAPTER**

[75] Inventor: **Alvis Hudson Shaw**, Orange, Tex.

[73] Assignee: **Sportsstuff, Inc.**, Omaha, Nebr.

[**] Term: **14 Years**

[21] Appl. No.: **29/122,198**

[22] Filed: **Apr. 20, 2000**

[51] **LOC (7) Cl.** **23-01**

[52] **U.S. Cl.** **D23/233**

[58] **Field of Search** **D23/233-237;**
137/231, 223

[56] **References Cited**

U.S. PATENT DOCUMENTS

D. 285,716 9/1986 Bova D23/233

5,358,001 10/1994 Smith 137/223
5,509,438 4/1996 Leonard et al. 137/231
5,746,243 5/1998 Franks 137/231
5,762,095 6/1998 Gapinski et al. 137/223

Primary Examiner—Robin V. Taylor
Attorney, Agent, or Firm—Henderson & Sturm LLP

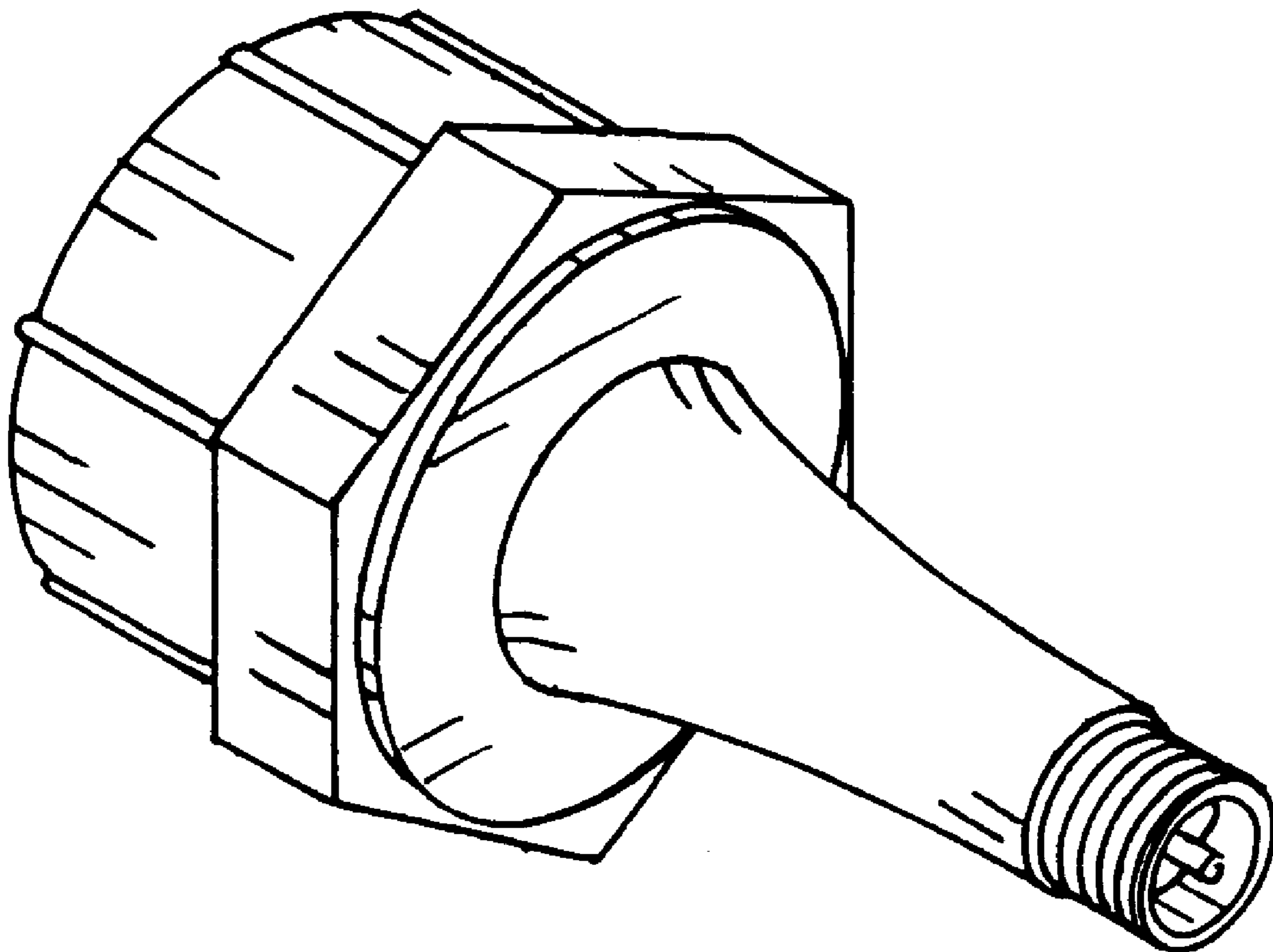
[57] **CLAIM**

The ornamental design for an air valve adapter, as shown and described.

DESCRIPTION

FIG. 1 is a perspective view of the air valve adapter showing my new design;
FIG. 2 is a side elevational view thereof;
FIG. 3 is a bottom plan view thereof; and,
FIG. 4 is a top plan view thereof.

1 Claim, 1 Drawing Sheet



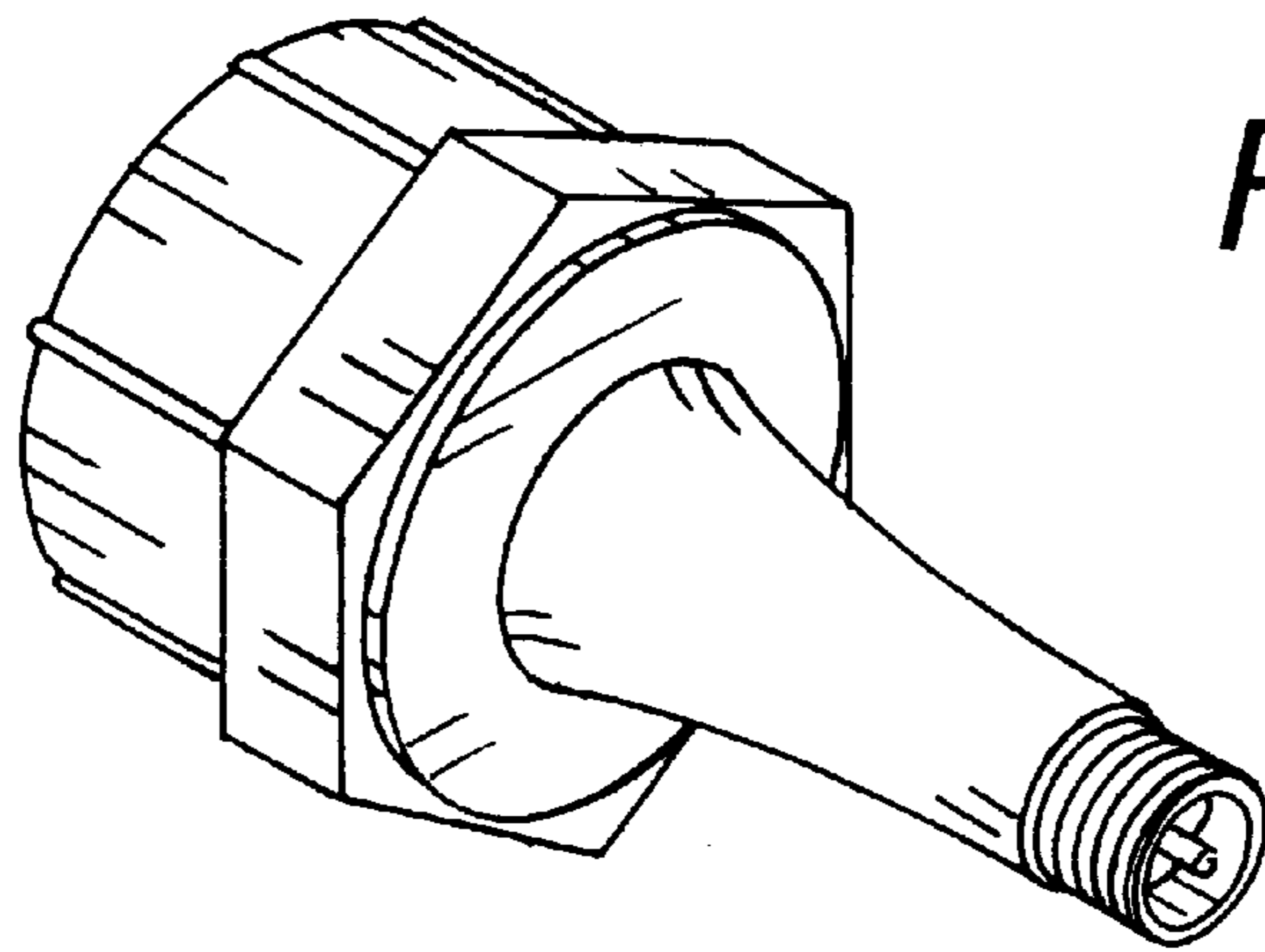


Fig. 1

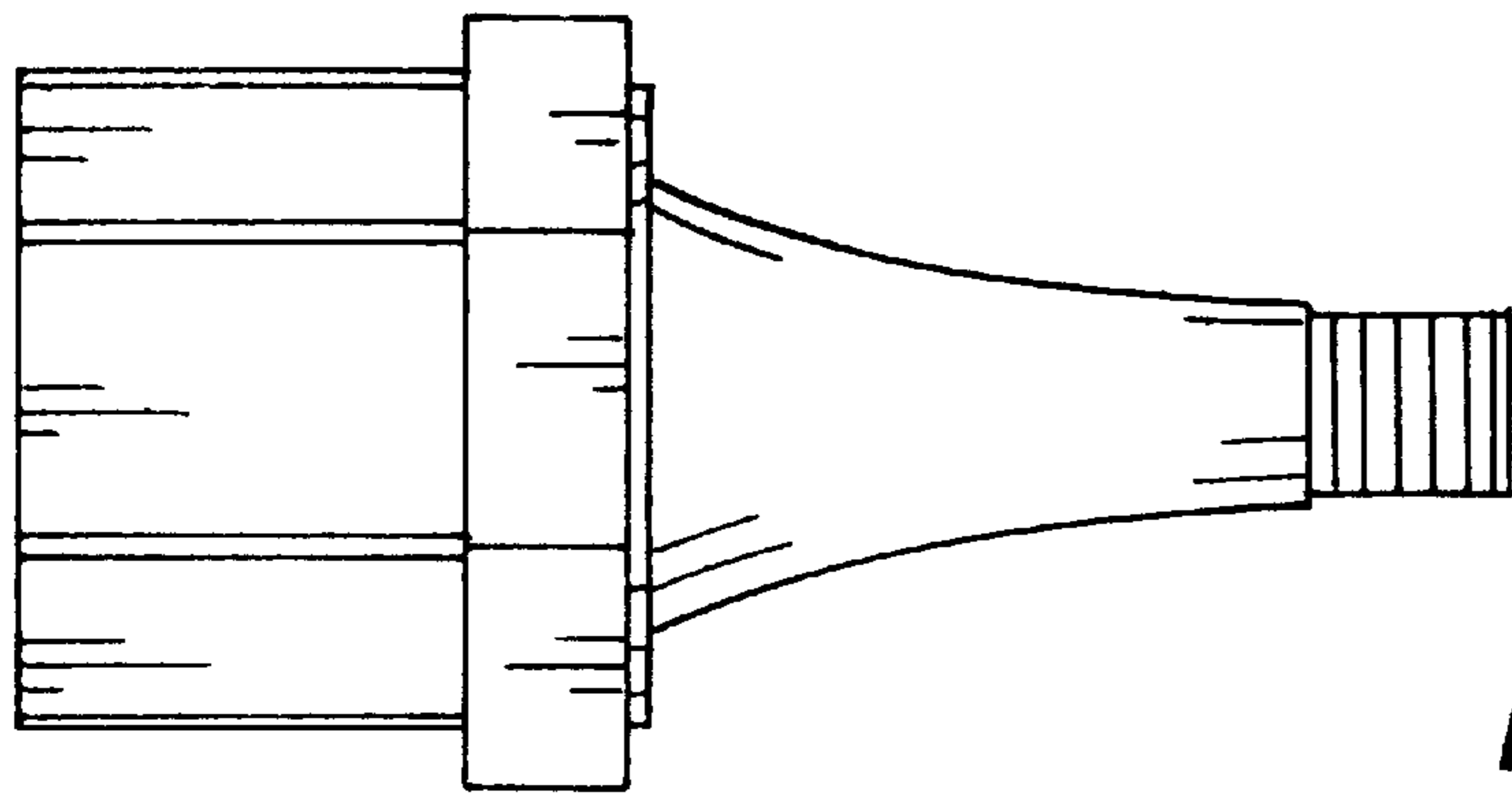


Fig. 2

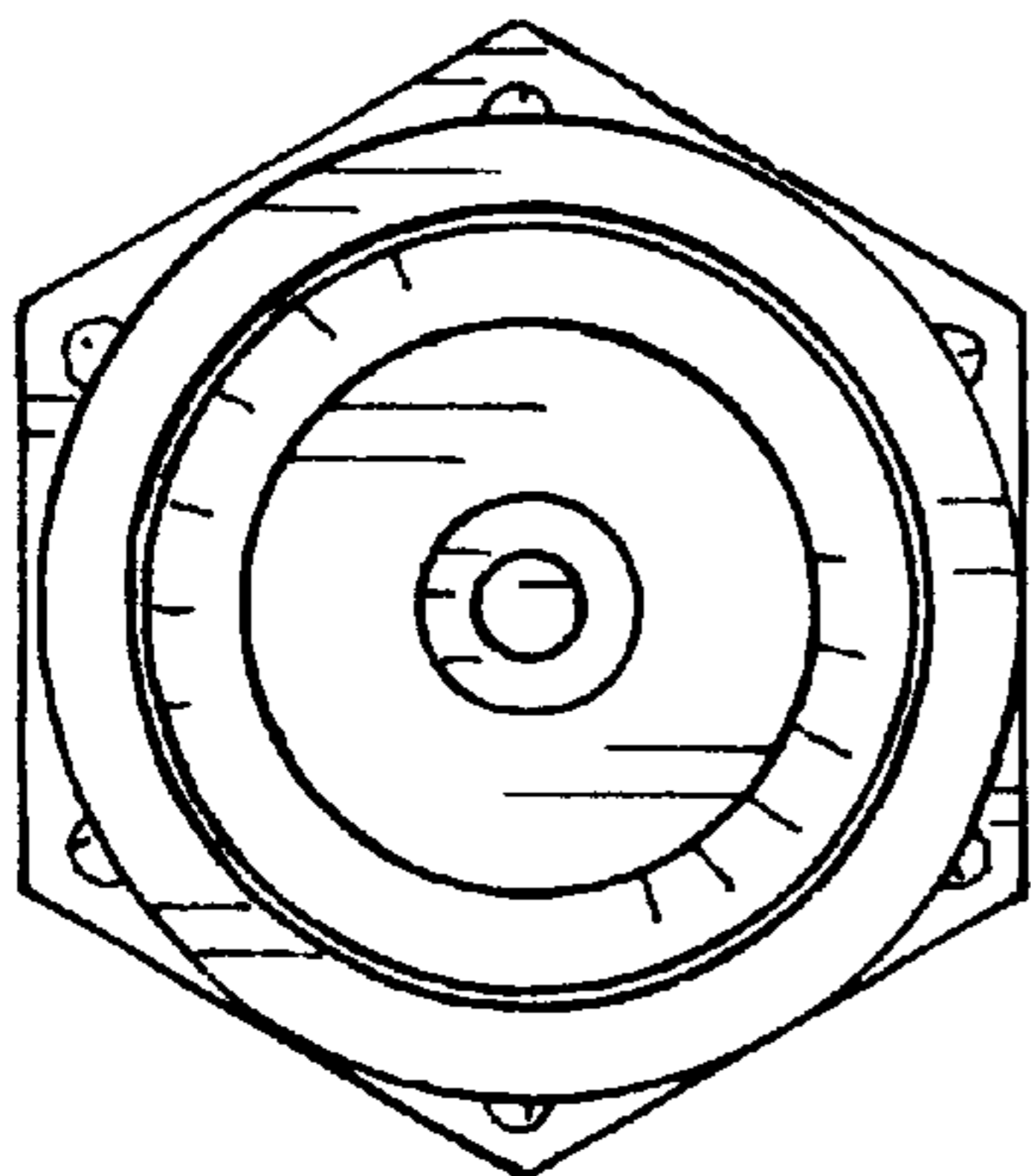


Fig. 3

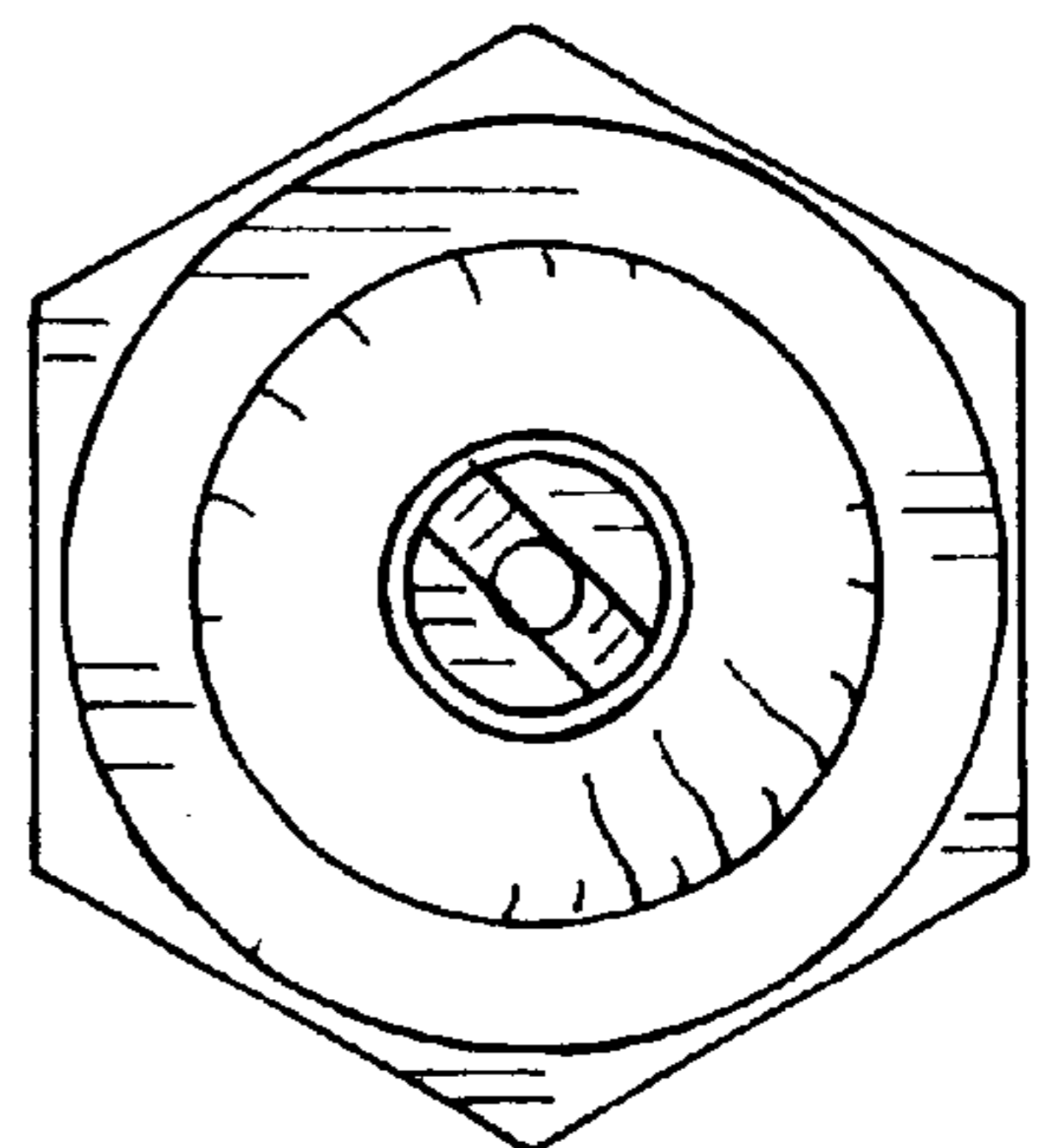


Fig. 4