



US00D434461S

# United States Patent [19]

Hanks et al.

[11] **Patent Number: Des. 434,461**

[45] **Date of Patent: \*\* Nov. 28, 2000**

[54] **BALL TOSSING GAME DEVICE**

[76] Inventors: **Richard C. Hanks; Richard T. Hanks**,  
both of 2495 G.A. R. Hwy., Swansea,  
Mass. 02777

[\*\*] Term: **14 Years**

[21] Appl. No.: **29/121,639**

[22] Filed: **Apr. 10, 2000**

D. 290,729 7/1987 Einhorn ..... D21/725  
D. 296,691 7/1988 Tajima ..... D21/725 X  
D. 386,678 11/1997 Tyra ..... D21/725

*Primary Examiner*—Mitchell Siegel  
*Attorney, Agent, or Firm*—Robert J Doherty

### Related U.S. Application Data

[62] Division of application No. 29/099,596, Jan. 25, 1999, Pat.  
No. Des. 425,156.

[51] **LOC (7) Cl.** ..... **21-02**

[52] **U.S. Cl.** ..... **D21/722**

[58] **Field of Search** ..... D21/722, 725;  
463/49, 565–569, 558, 559

### [56] References Cited

#### U.S. PATENT DOCUMENTS

D. 254,440 3/1980 Reinhard ..... D21/725

### [57] CLAIM

The ornamental design for a ball tossing game device, as shown and described.

### DESCRIPTION

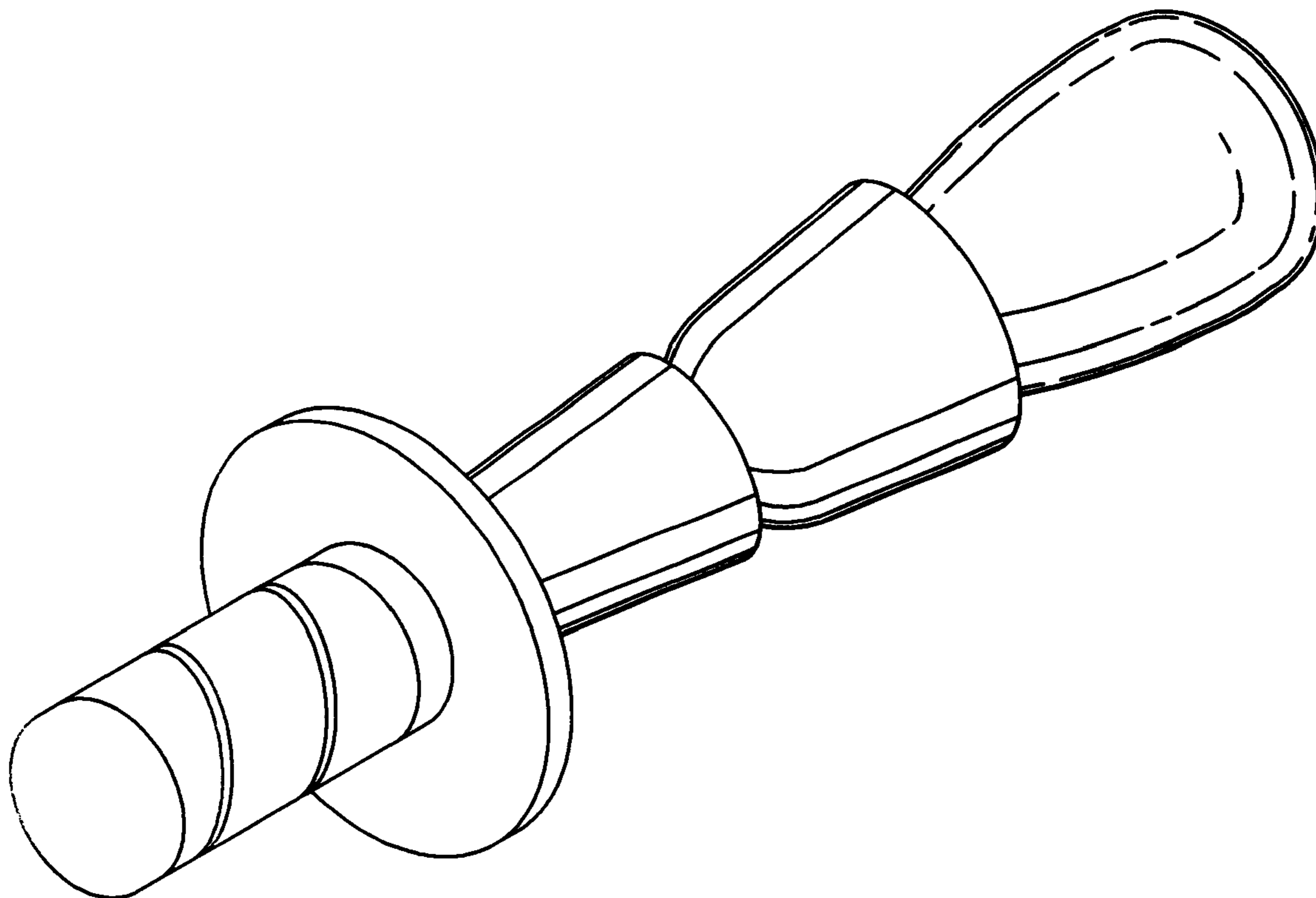
FIG. 1 is a front perspective view of a ball tossing game device showing our new design;

FIG. 2 is a front elevational view of FIG. 1; the side and rear views being essentially identical thereto;

FIG. 3 is a top view of FIG. 1 ; and,

FIG. 4 is a bottom view of FIG. 1.

**1 Claim, 1 Drawing Sheet**



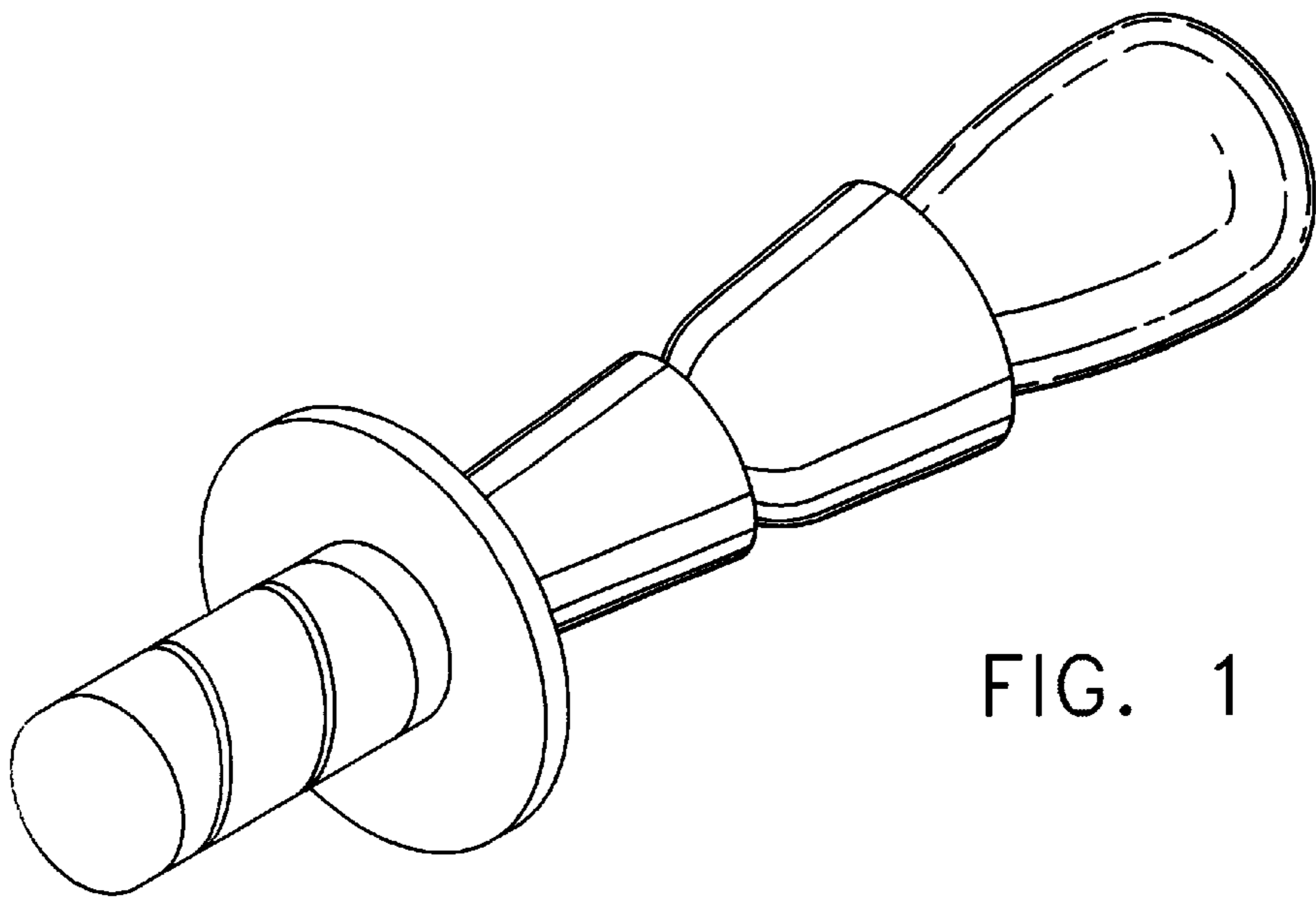


FIG. 1

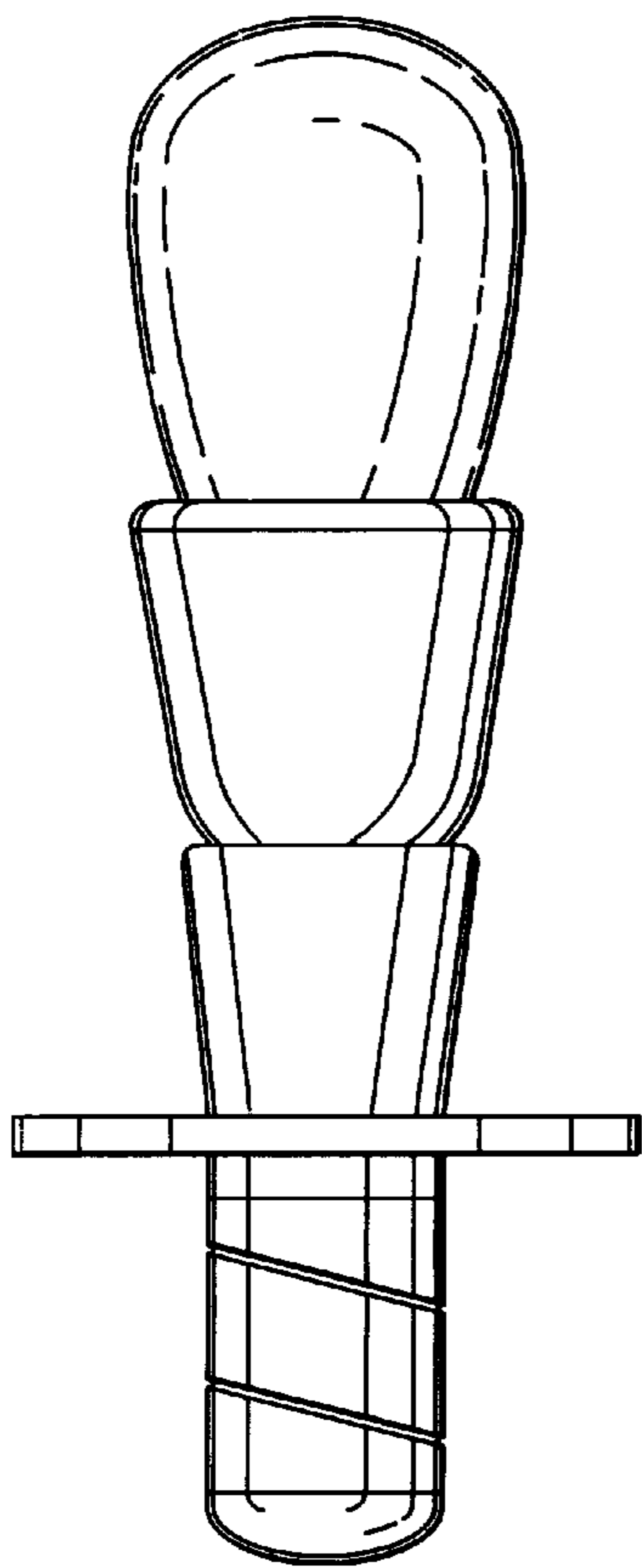


FIG. 2

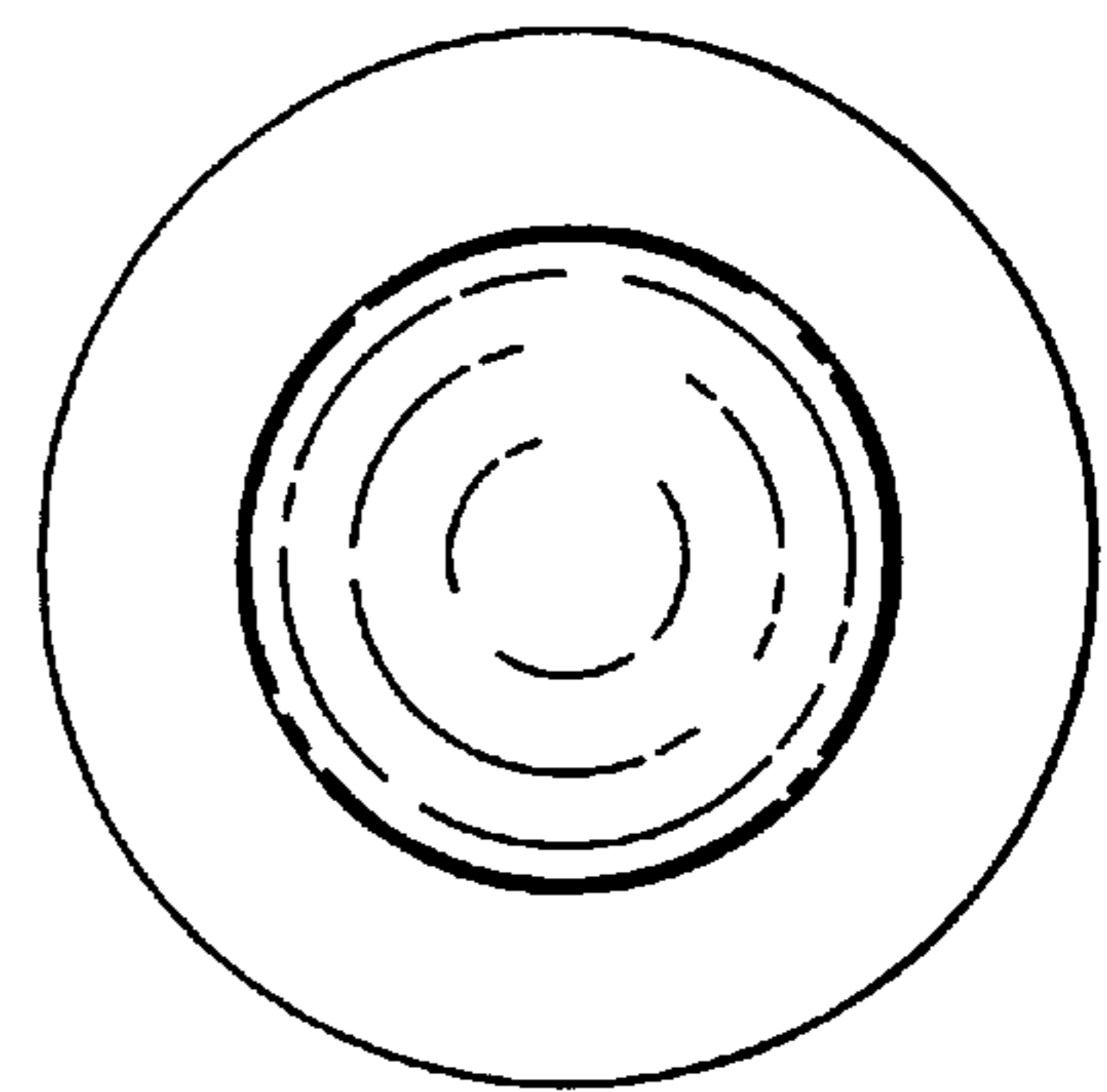


FIG. 3

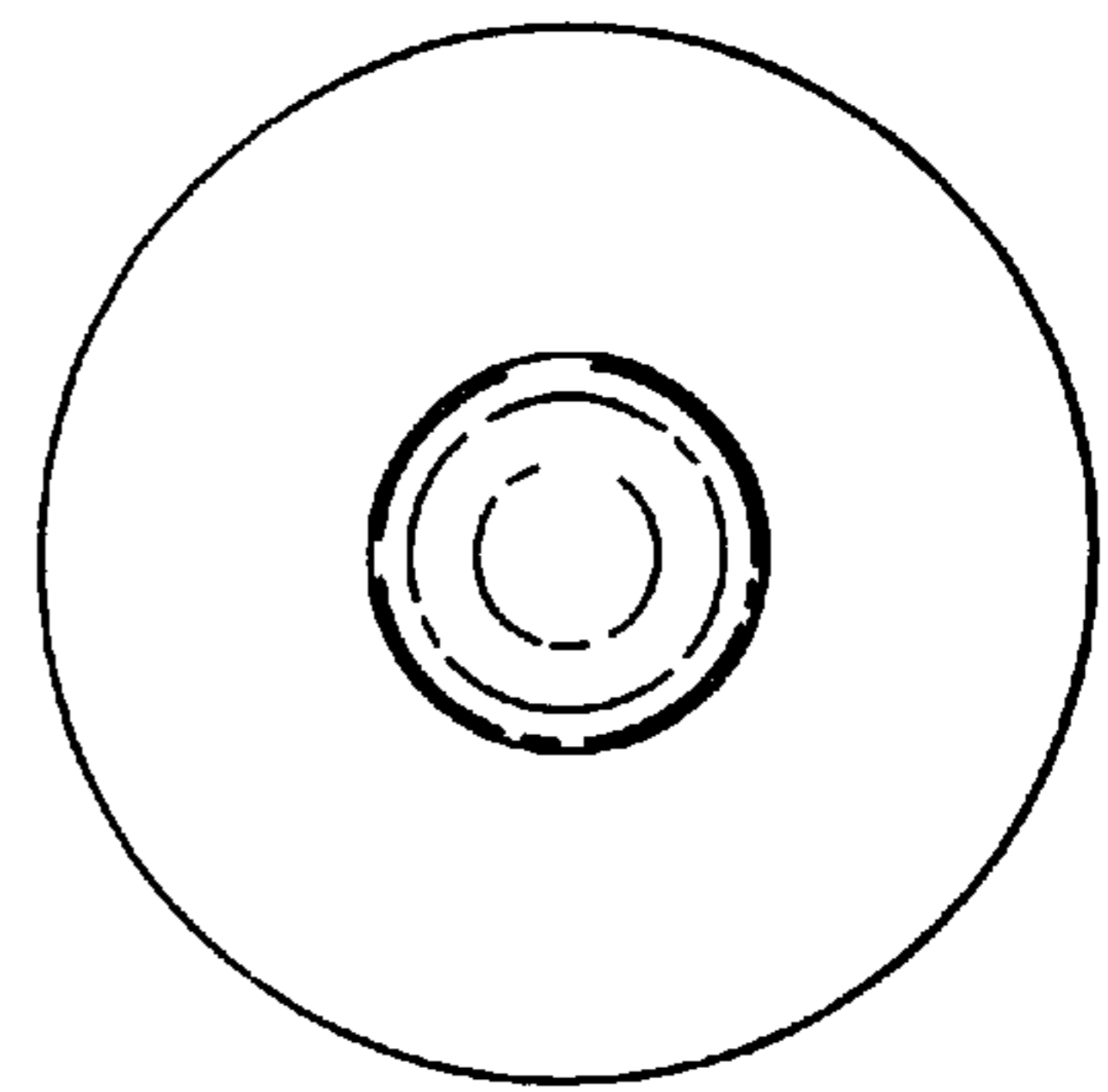


FIG. 4