



US00D434460S

United States Patent [19]

[11] **Patent Number: Des. 434,460**

Carter et al.

[45] **Date of Patent: ** Nov. 28, 2000**

[54] **GOLF TEE AND BALL SETTING DEVICE**

4,949,961	8/1990	Milano	294/19.2
5,330,177	7/1994	Rogge	473/386
5,503,394	4/1996	Mauck	473/386

[75] Inventors: **Jimmy W. Carter**, 4411 Mallard Creek Cir., Stockton, Calif. 95207; **Ivan Dresar**, Stockton, Calif.

Primary Examiner—Mitchell Siegel

[73] Assignee: **Jimmy W. Carter**, Stockton, Calif.

[57] **CLAIM**

[**] Term: **14 Years**

The ornamental design for a golf tee and ball setting device, as shown and described.

[21] Appl. No.: **29/122,254**

DESCRIPTION

[22] Filed: **Apr. 24, 2000**

FIG. 1 is a front, top and side perspective view of a golf tee and ball setting device showing our new design, the broken lines illustrating a golf tee positioned in said device are for illustrative purposes and form no part of the claimed design; FIG. 2 is a top plan view;

[51] **LOC (7) Cl.** **21-02**

[52] **U.S. Cl.** **D21/718**

[58] **Field of Search** D21/718, 789, D21/796, 793, 794; 473/284, 386; 294/19.2

FIG. 3 is a left side elevational view;

[56] **References Cited**

U.S. PATENT DOCUMENTS

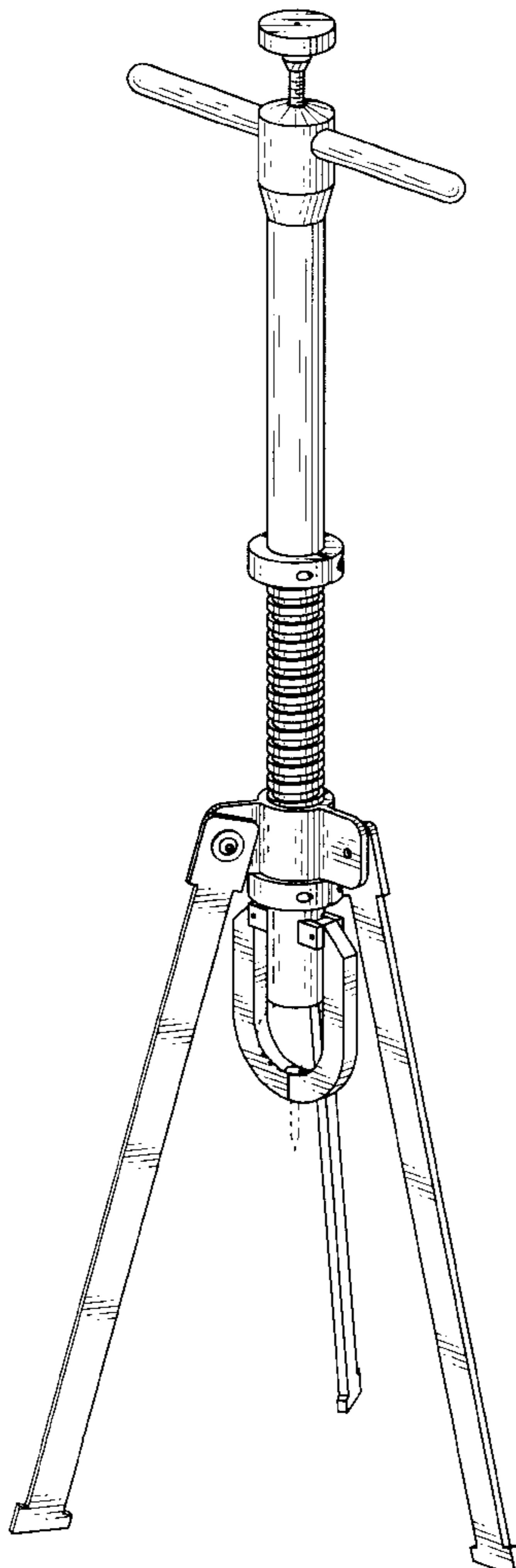
D. 279,208	6/1985	Schuster	D21/793
D. 362,480	9/1995	Reaves	D21/793
D. 426,856	6/2000	Engel	D21/793
3,904,200	9/1975	Jackie et al.	294/19.2
4,616,826	10/1986	Trefts	294/19.2

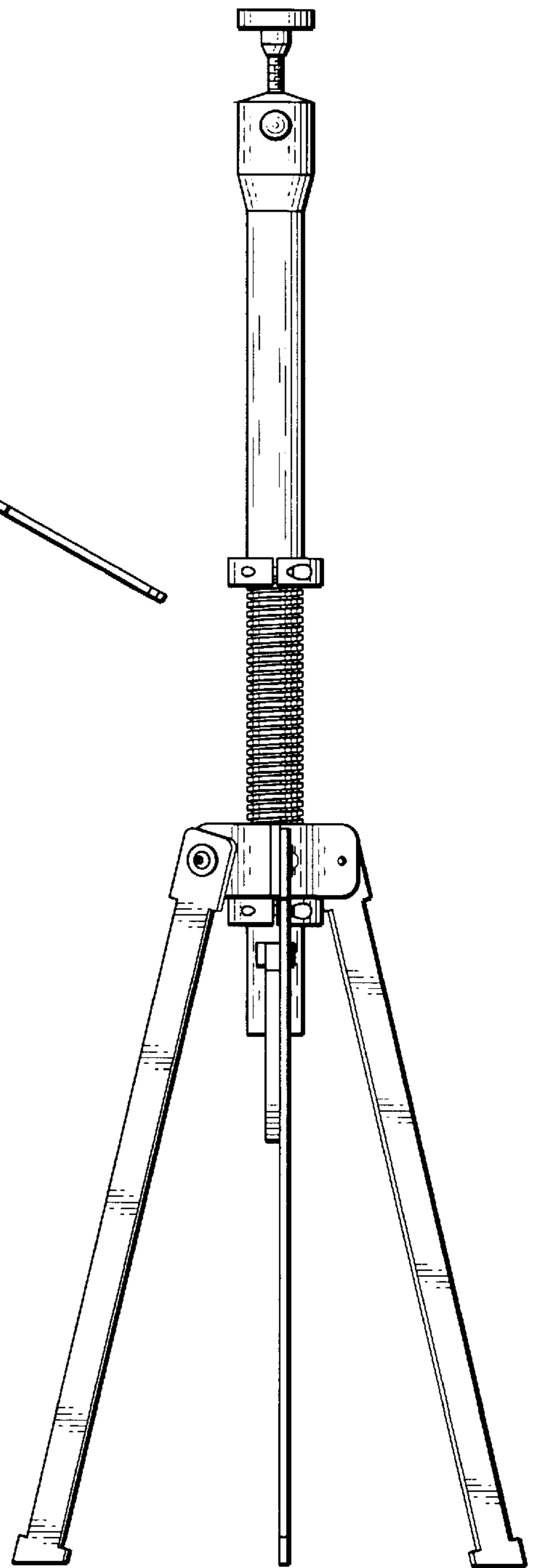
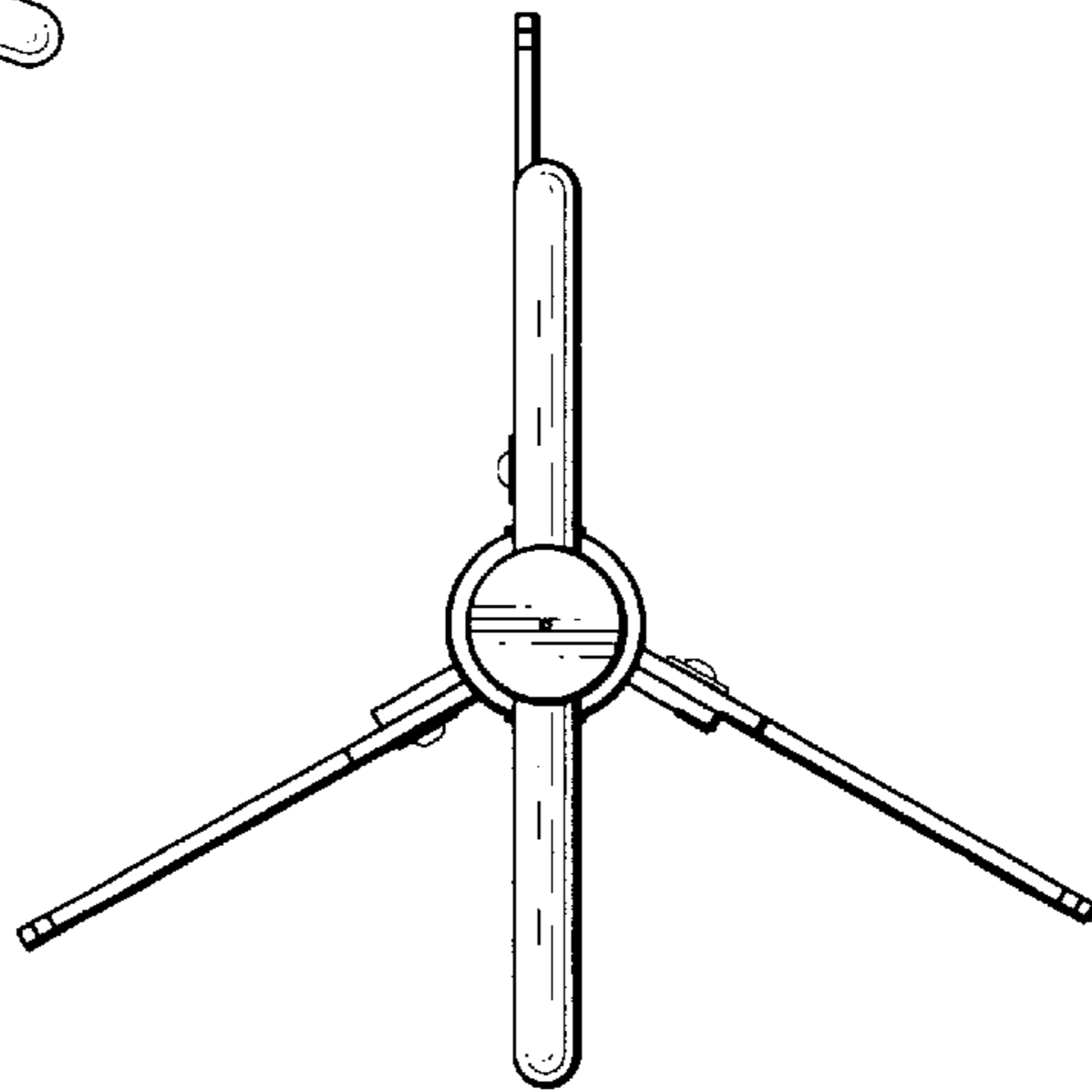
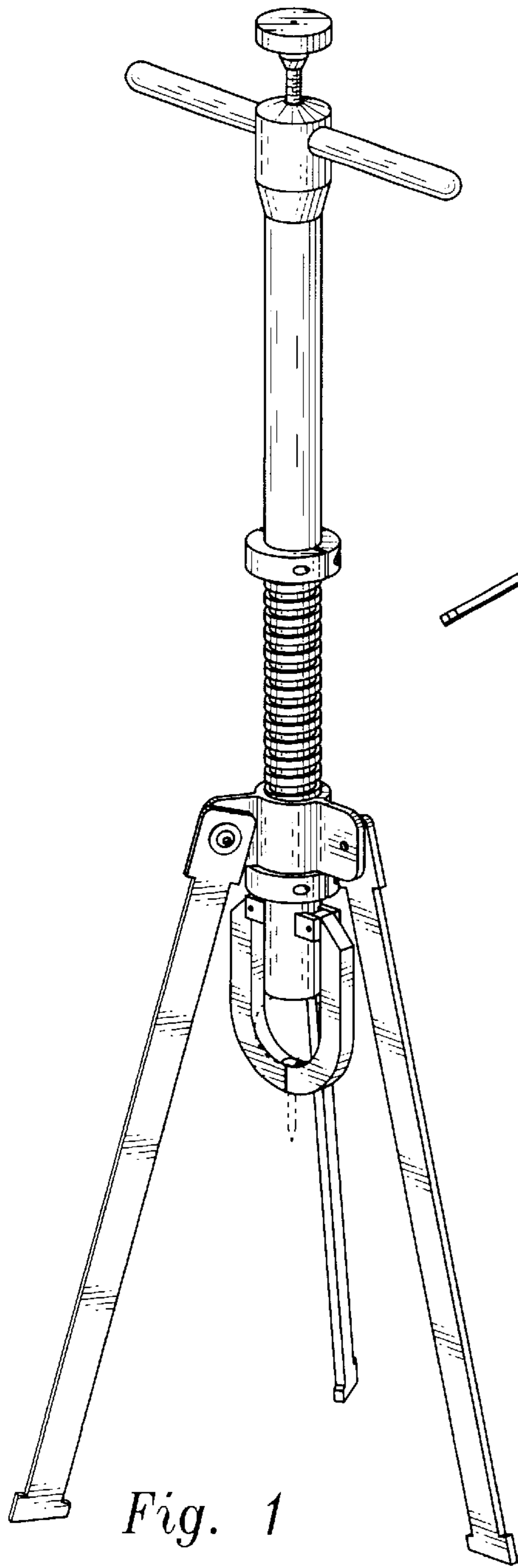
FIG. 4 is a front elevational view, the rear the rear being a mirror image thereof, and the broken lines illustrating a golf tee and ball positioned in the device are for illustrative purposes only and form no part of the claimed design;

FIG. 5 is a bottom plan view; and,

FIG. 6 is an elevational view of the right side.

1 Claim, 2 Drawing Sheets





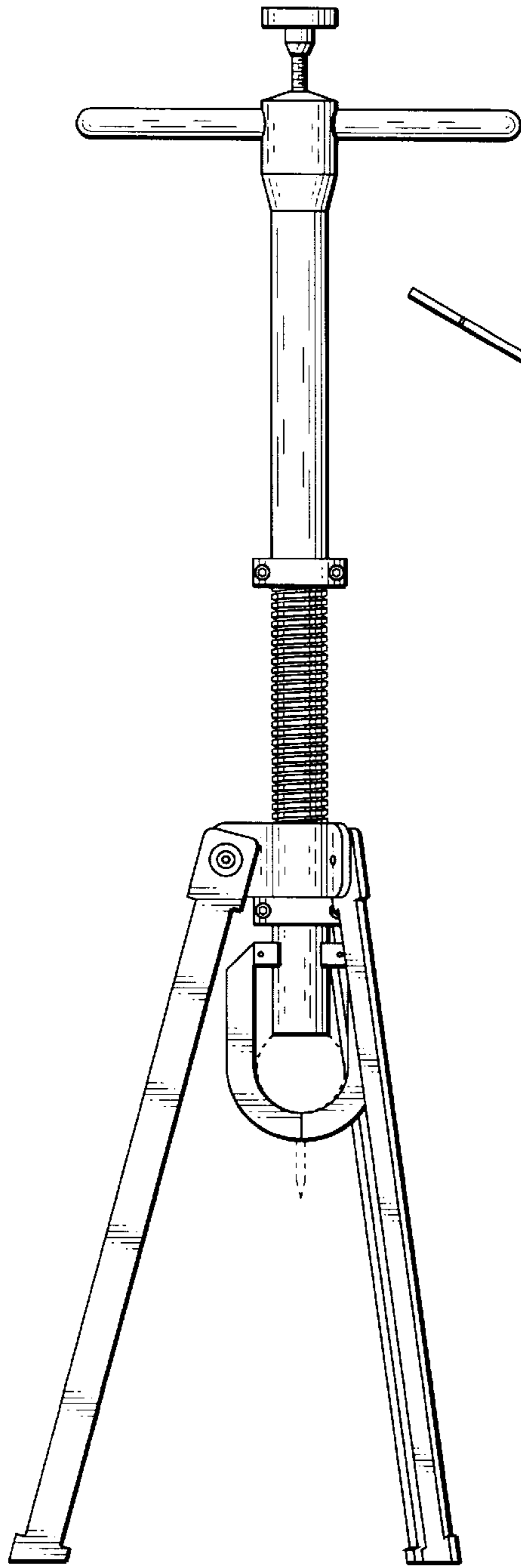


Fig. 4

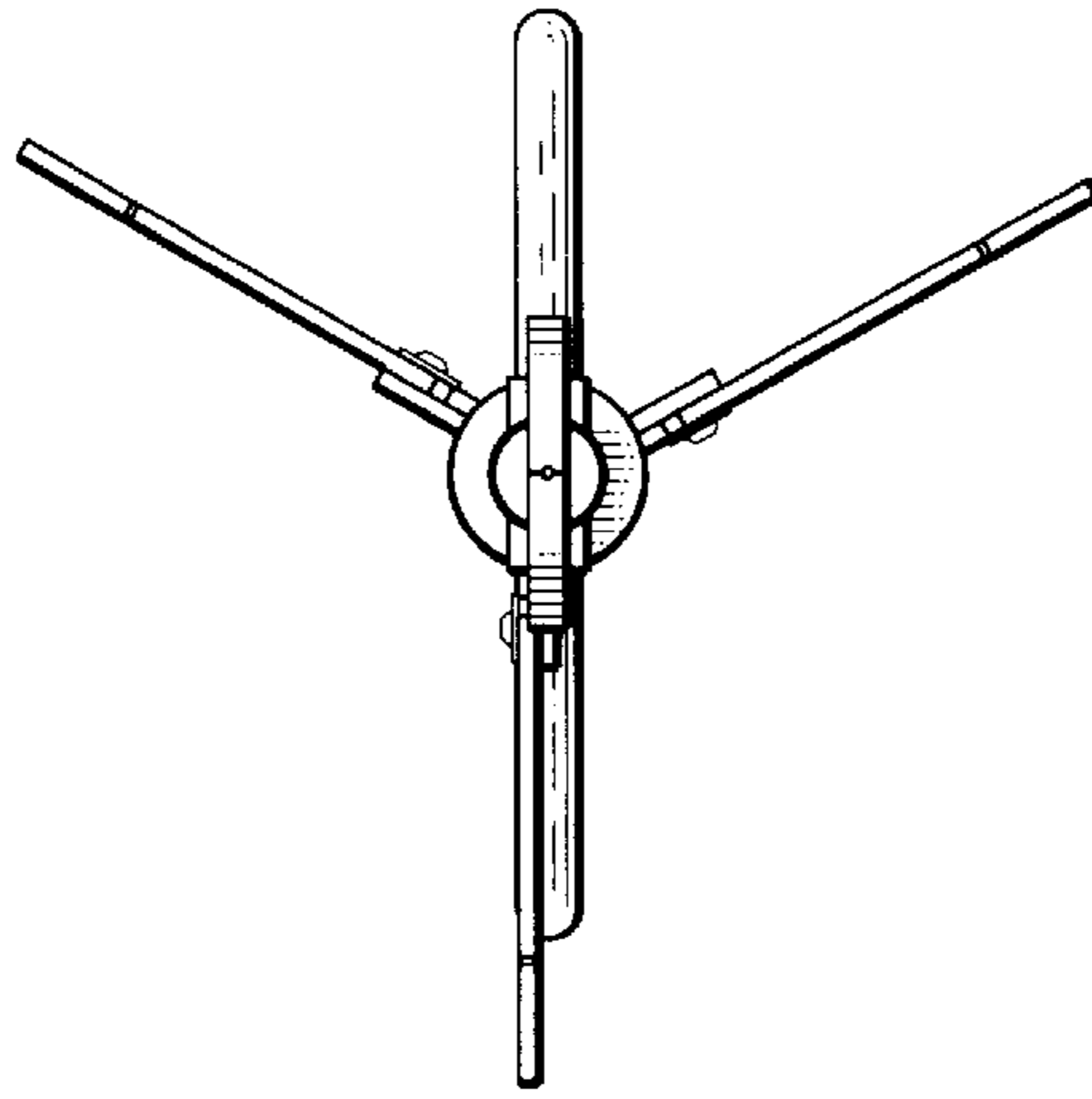


Fig. 5

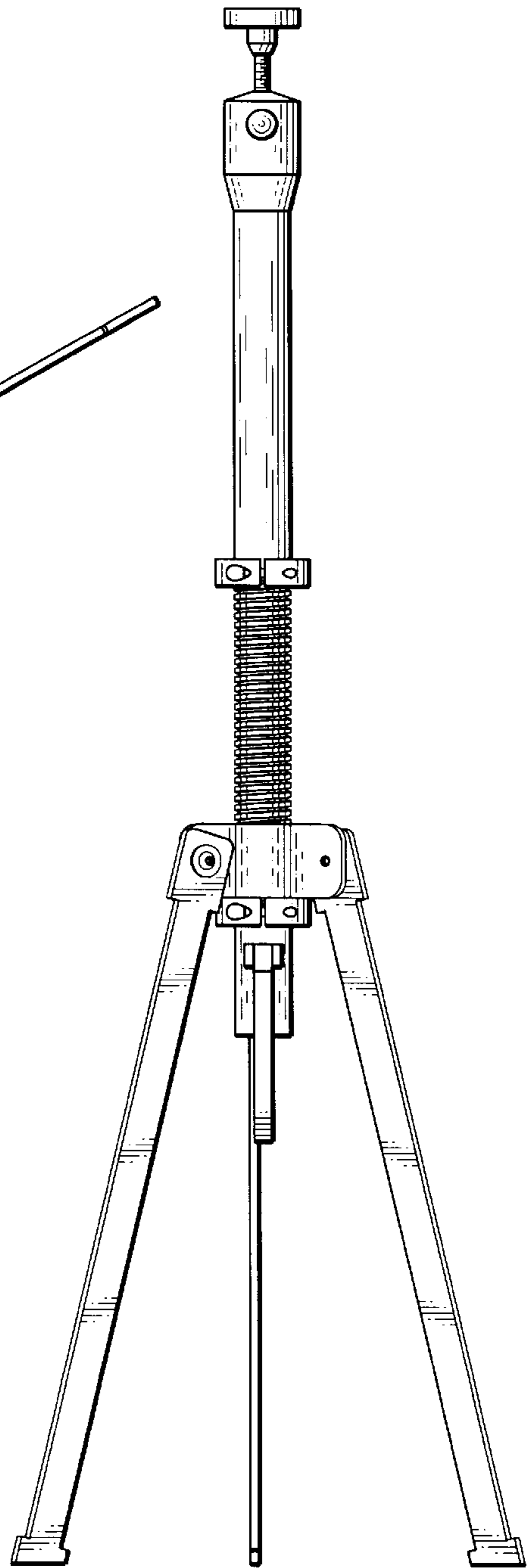


Fig. 6