



US00D434457S

United States Patent [19]

Goldman et al.

[11] Patent Number: Des. 434,457

[45] Date of Patent: ** Nov. 28, 2000

[54] COLLAPSIBLE TOY

[75] Inventors: Michael J. Goldman, Cherry Hill, N.J.;
James O. Kuhn, Sonoma, Calif.;
Richard P. Christen, Bend, Oreg.

[73] Assignee: Goldman Toy Group, Inc., Cherry Hill, N.J.

[**] Term: 14 Years

[21] Appl. No.: 29/084,524

[22] Filed: Mar. 5, 1998

Related U.S. Application Data

[63] Continuation-in-part of application No. 08/795,756, Feb. 6, 1997, Pat. No. 5,797,815.

[51] LOC (7) Cl. 21-01

[52] U.S. Cl. D21/440; D21/443

[58] Field of Search D21/398, 440,
D21/443, 437; 446/46, 486; 473/588, 593,
595

[56] References Cited

U.S. PATENT DOCUMENTS

D. 234,525	3/1975	Maloney, II	D21/398
2,864,201	12/1958	Leise	446/46
2,952,460	9/1960	Ellis	.	
2,968,121	1/1961	Pearson, Jr. et al.	.	
3,113,396	12/1963	Collins	.	
3,758,985	9/1973	Heisler	.	
4,135,325	1/1979	Lehman	.	
4,196,882	4/1980	Rognon	.	
4,607,875	8/1986	McGirr	.	
4,790,714	12/1988	Schnapp	.	
4,794,024	12/1988	Crowell et al.	.	
4,955,841	9/1990	Pastrano	.	
5,090,569	2/1992	Nissen et al.	.	
5,096,751	3/1992	Duchek	.	
5,123,869	6/1992	Schipmann	.	

5,263,760	11/1993	Sohol	.	
5,381,990	1/1995	Belokin et al.	.	
5,511,752	4/1996	Trethewey	.	
5,797,815	8/1998	Goldman et al.	446/46

Primary Examiner—Dominic Simone
Attorney, Agent, or Firm—Fitzpatrick, Cella, Harper & Scinto

[57] CLAIM

The ornamental design for a collapsible toy, as shown and described.

DESCRIPTION

FIG. 1 is a top plan view of a collapsible toy showing our new design;
 FIG. 2 is a bottom plan view of a collapsible toy thereof;
 FIG. 3 is an elevational view of one side of the toy object, the other side being a mirror image thereof;
 FIG. 4 is an elevational view of the collapsible toy, the toy object having been rotated from the position shown in FIG. III by approximately 30° about an axis passing through the top and bottom ends of the toy object;
 FIG. 5 is a front perspective view showing the top, front and side of the collapsible toy, the bottom, rear and other side being a mirror image thereof;
 FIG. 6 is a front perspective view showing the top and side of the collapsible toy, the bottom and other side being a mirror image thereof;
 FIG. 7 is a top plan view showing the collapsible toy in an alternate configuration;
 FIG. 8 is a bottom plan view showing the collapsible toy in the alternate configuration;
 FIG. 9 is an elevational view of the front of the collapsible toy in the alternate configuration, the back side being a mirror image thereof;
 FIG. 10 is a front perspective view showing the front and side of the collapsible toy in the alternate configuration; and,
 FIG. 11 is a rear perspective view showing the rear and side of the collapsible toy in the alternate configuration.

1 Claim, 6 Drawing Sheets

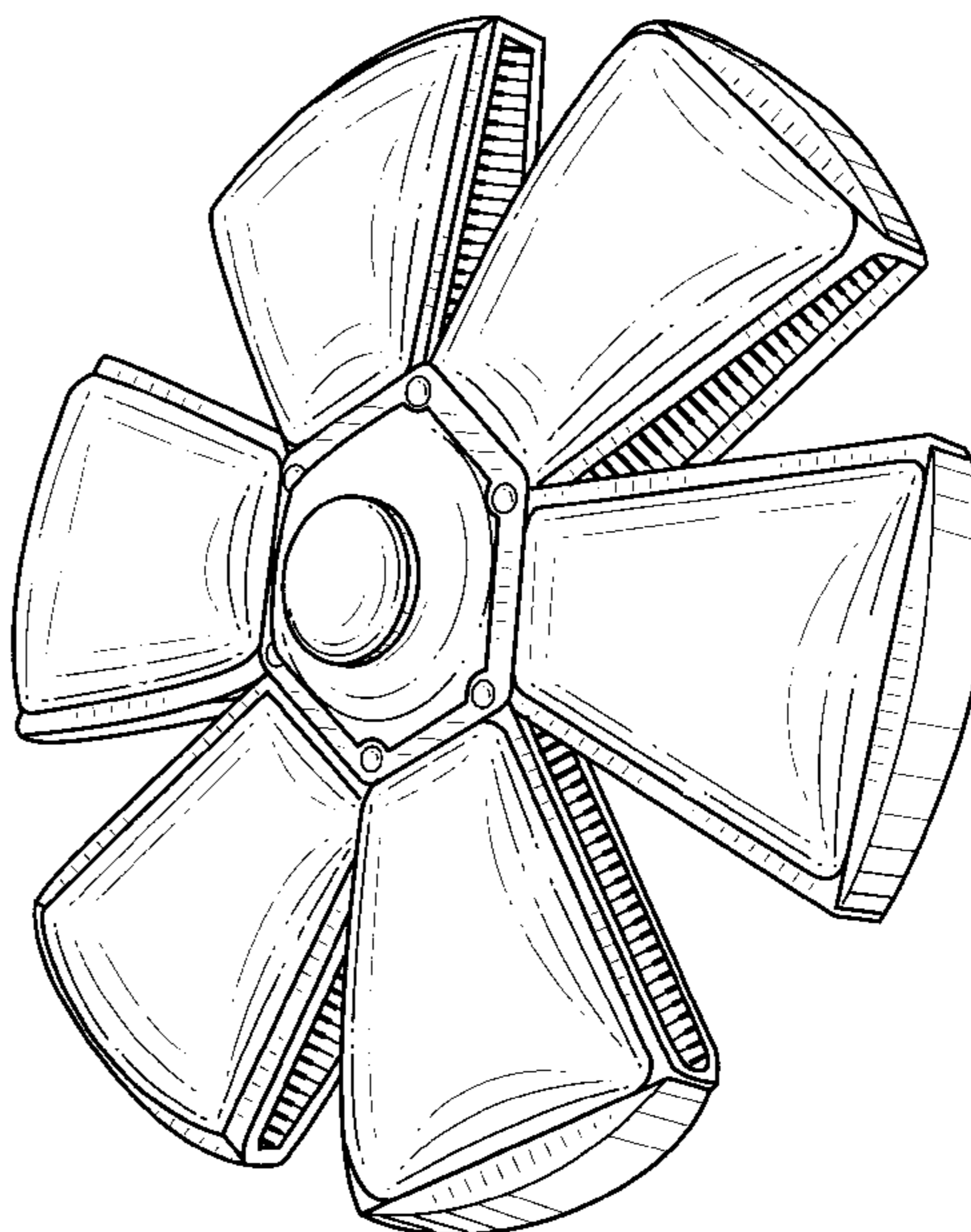
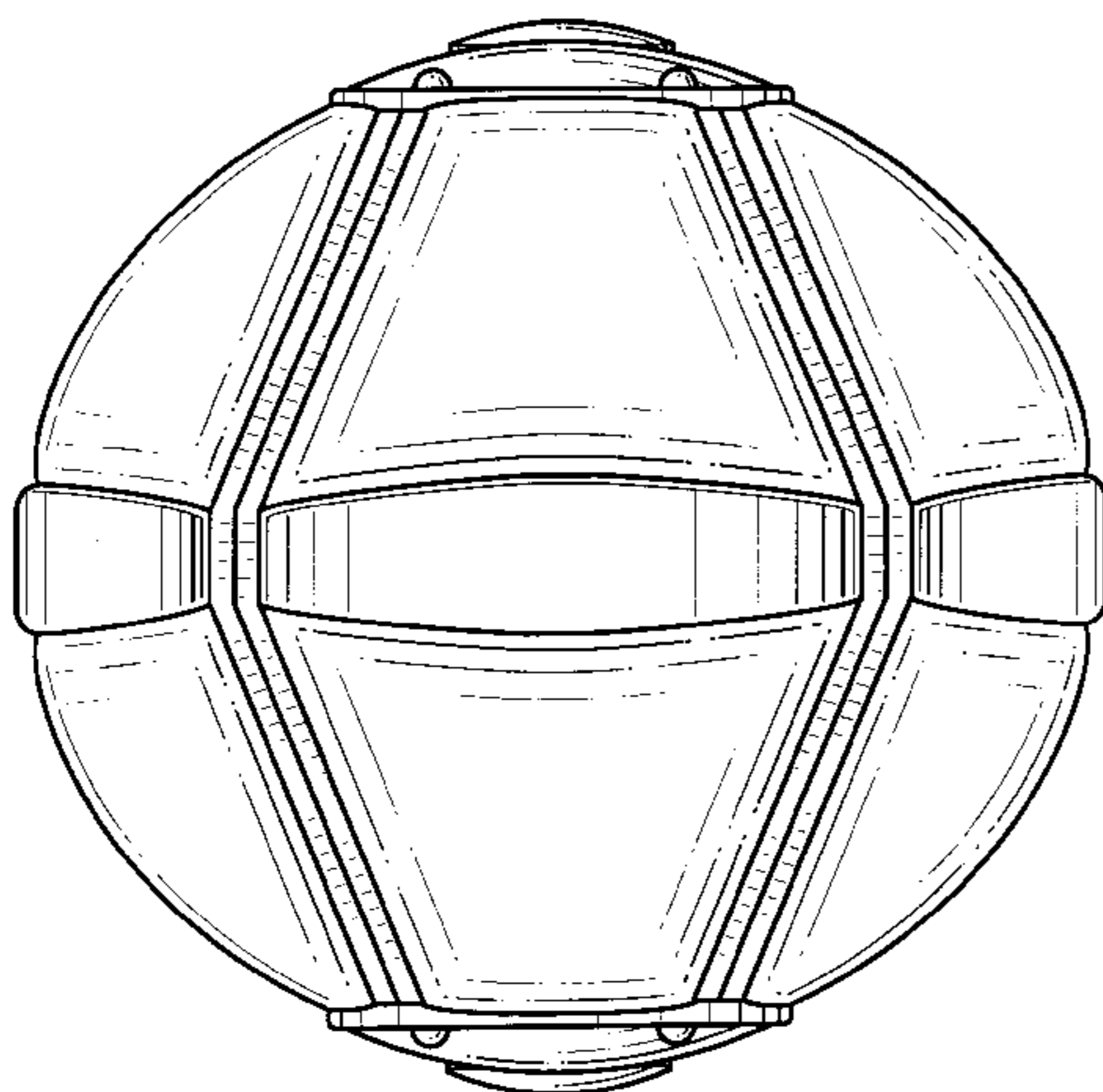


FIG. 1

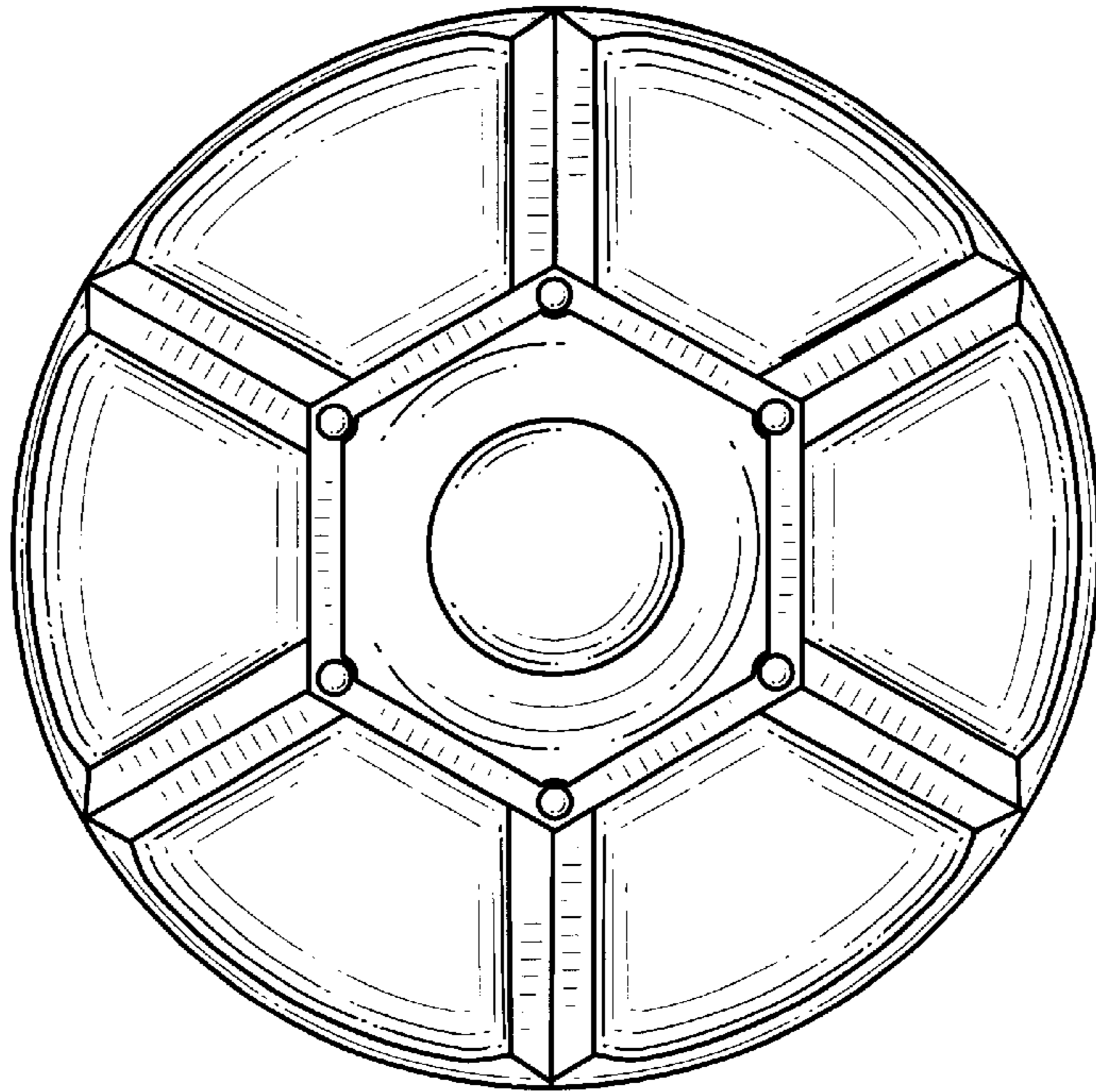


FIG. 2

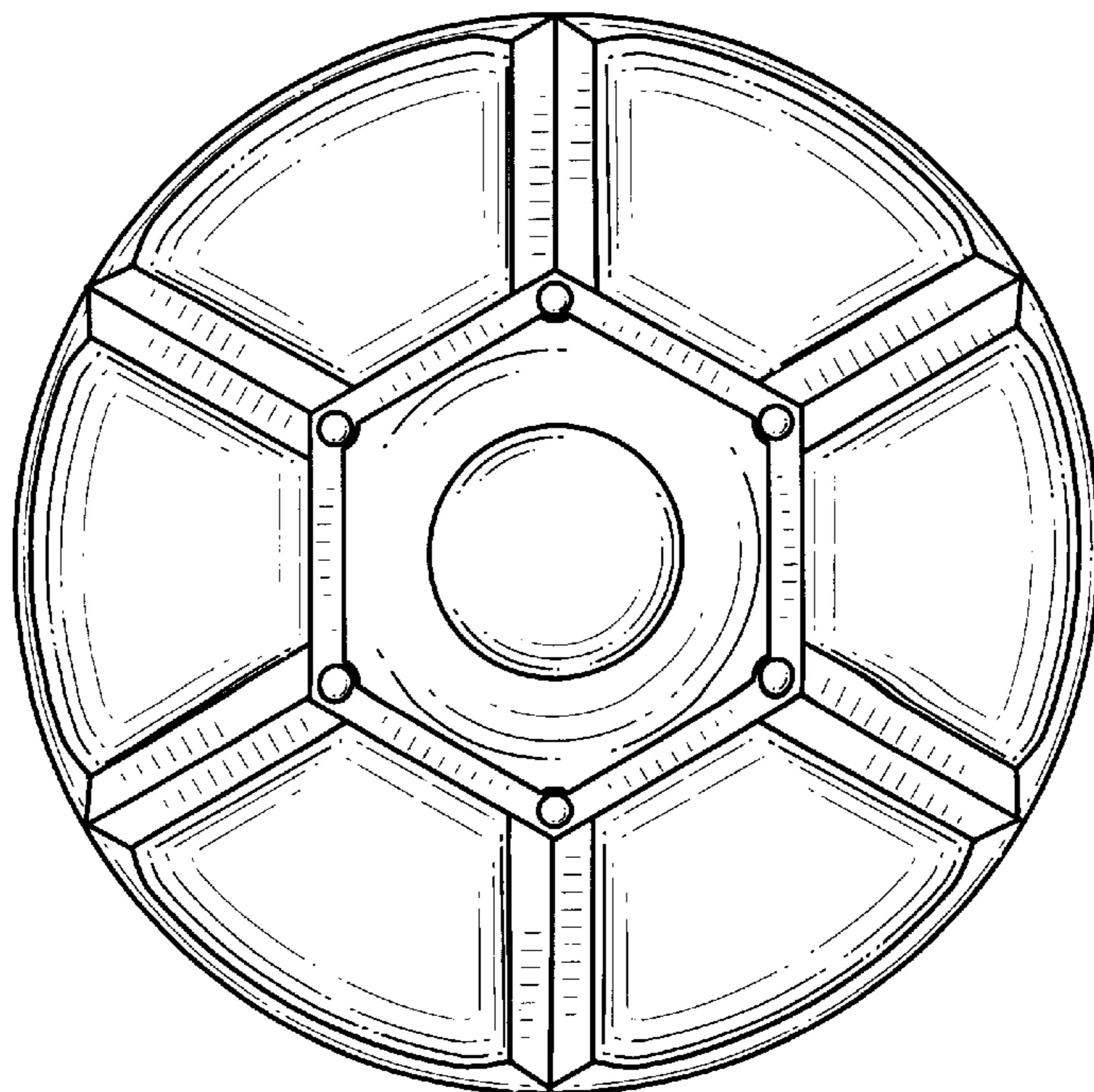


FIG. 3

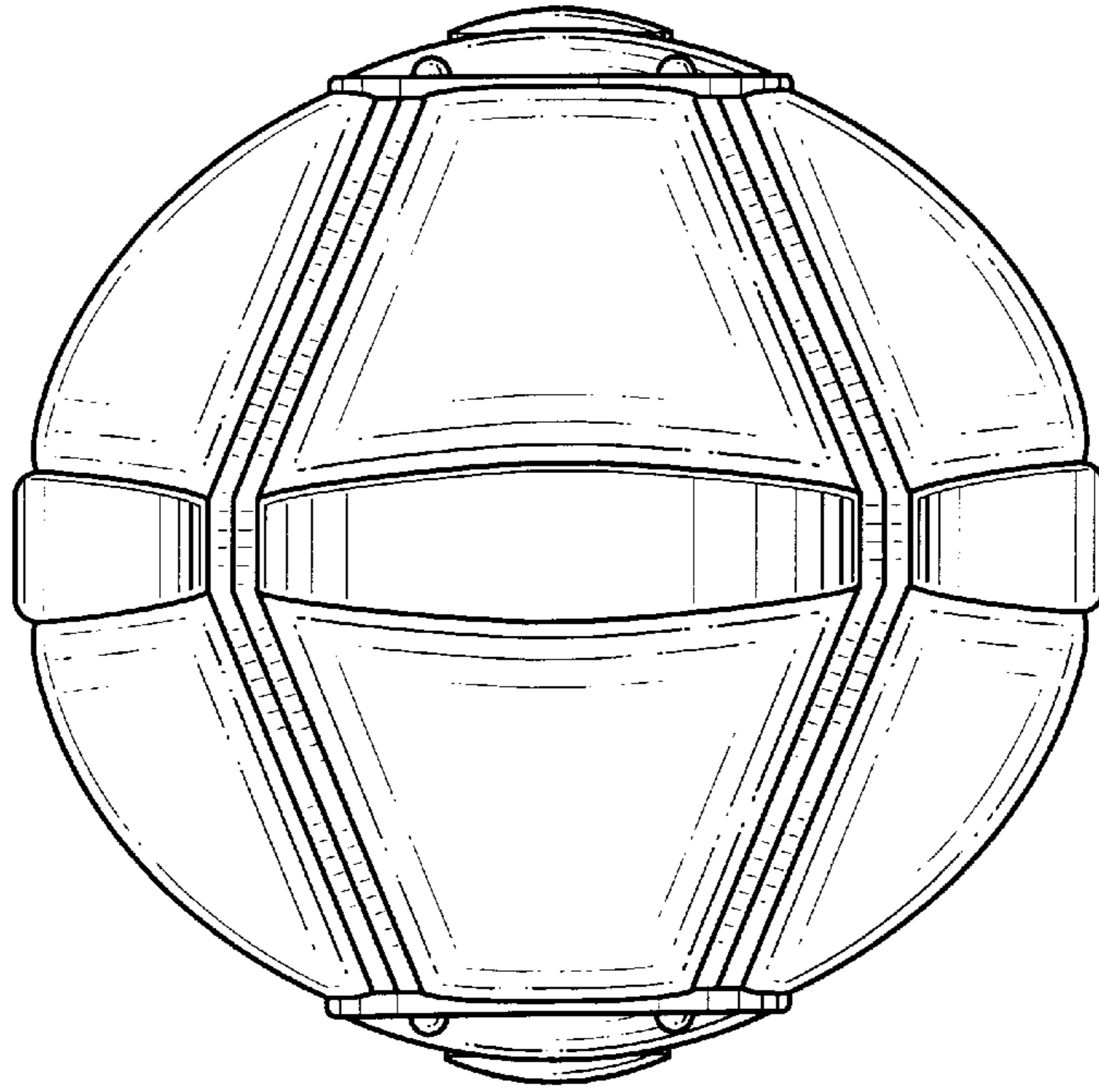


FIG. 4

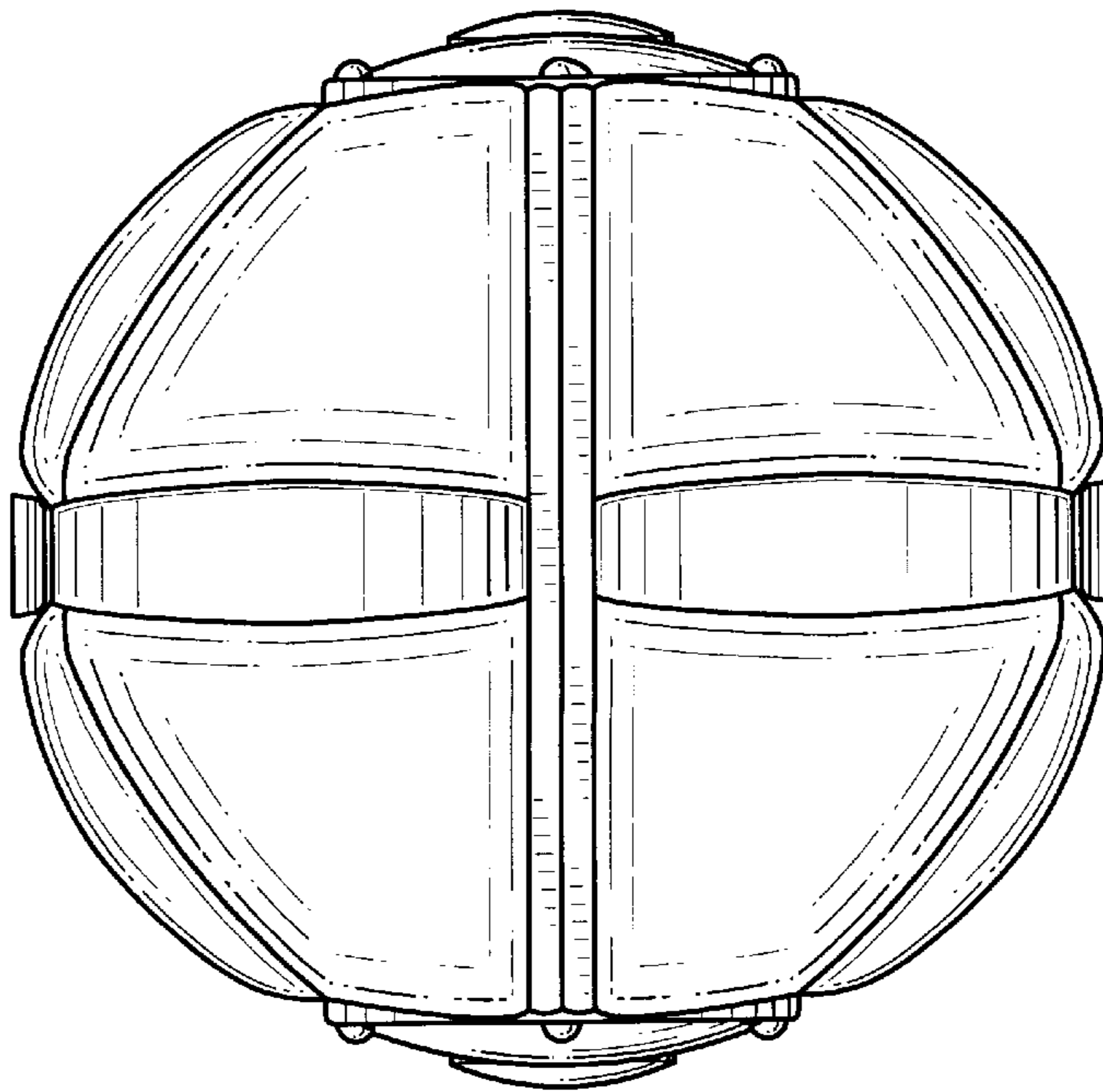


FIG. 5

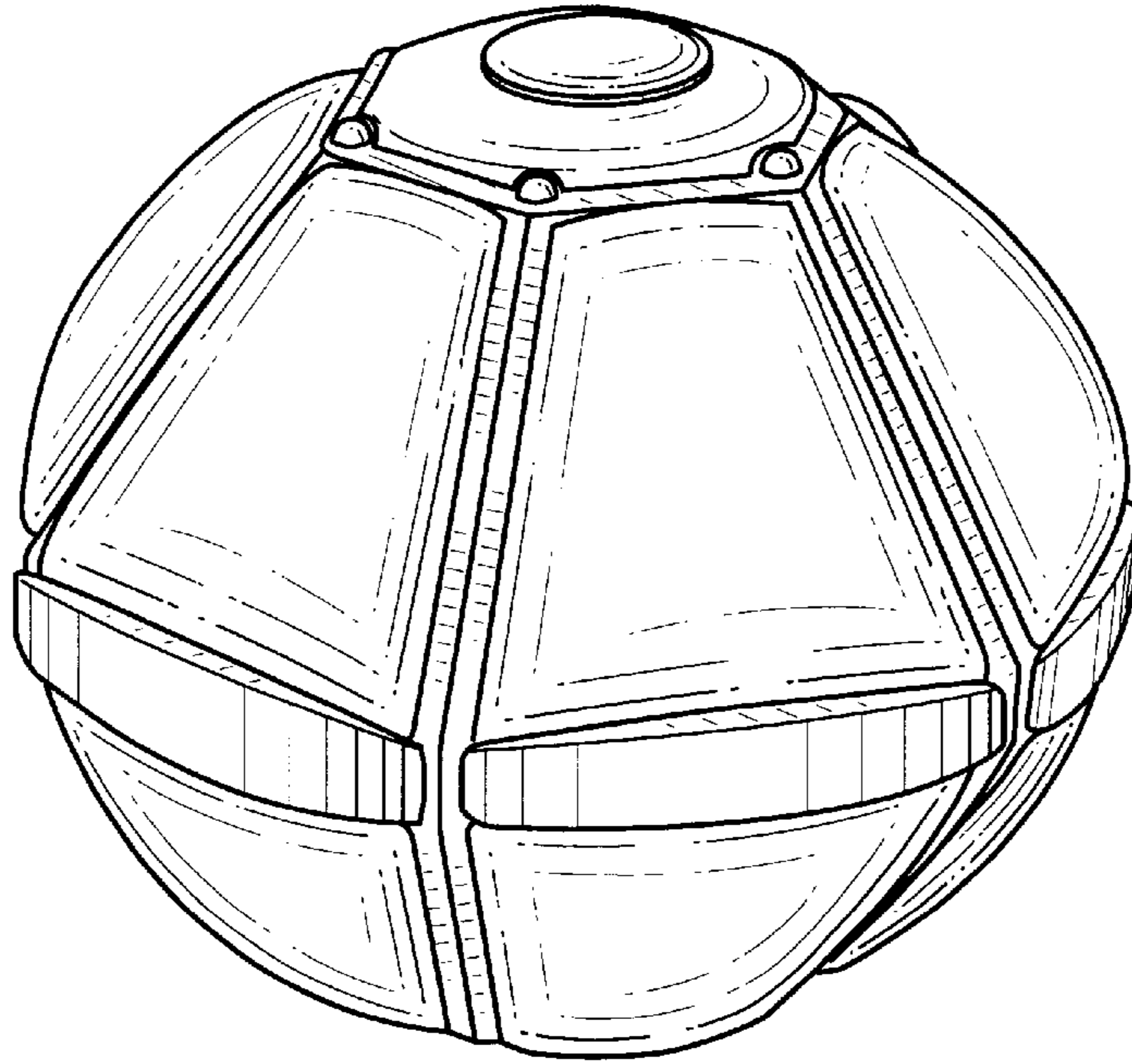
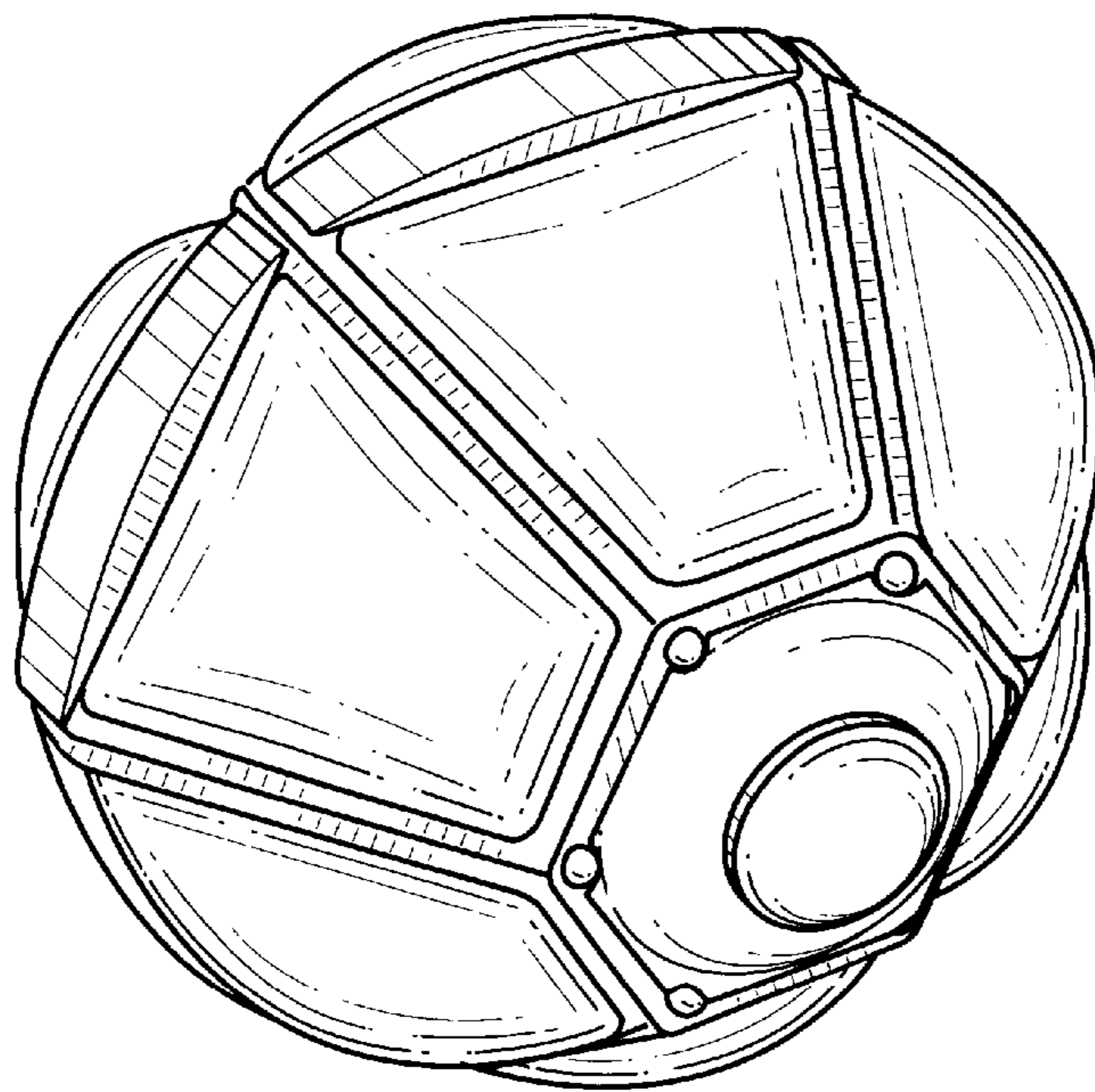


FIG. 6



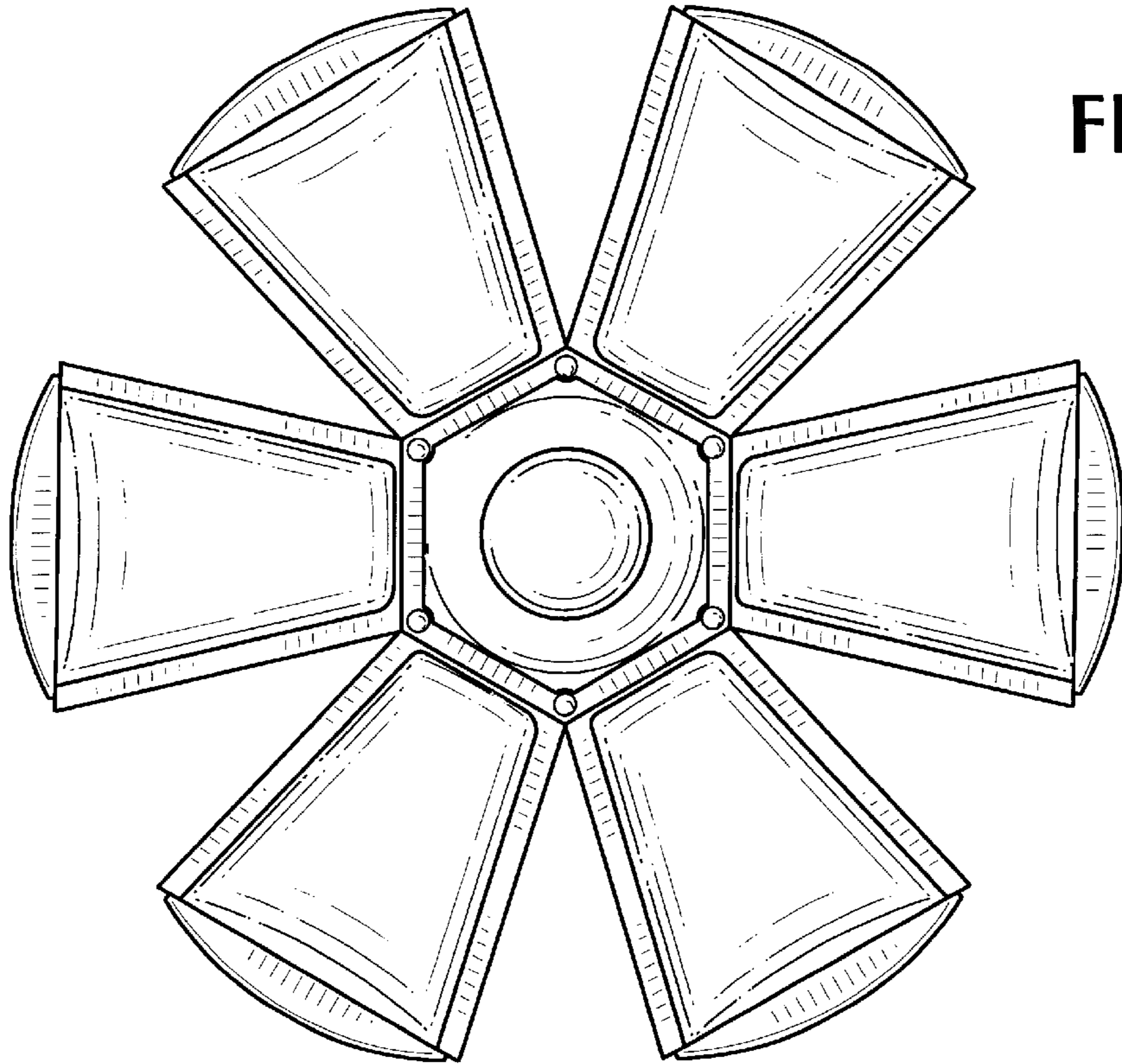


FIG. 7

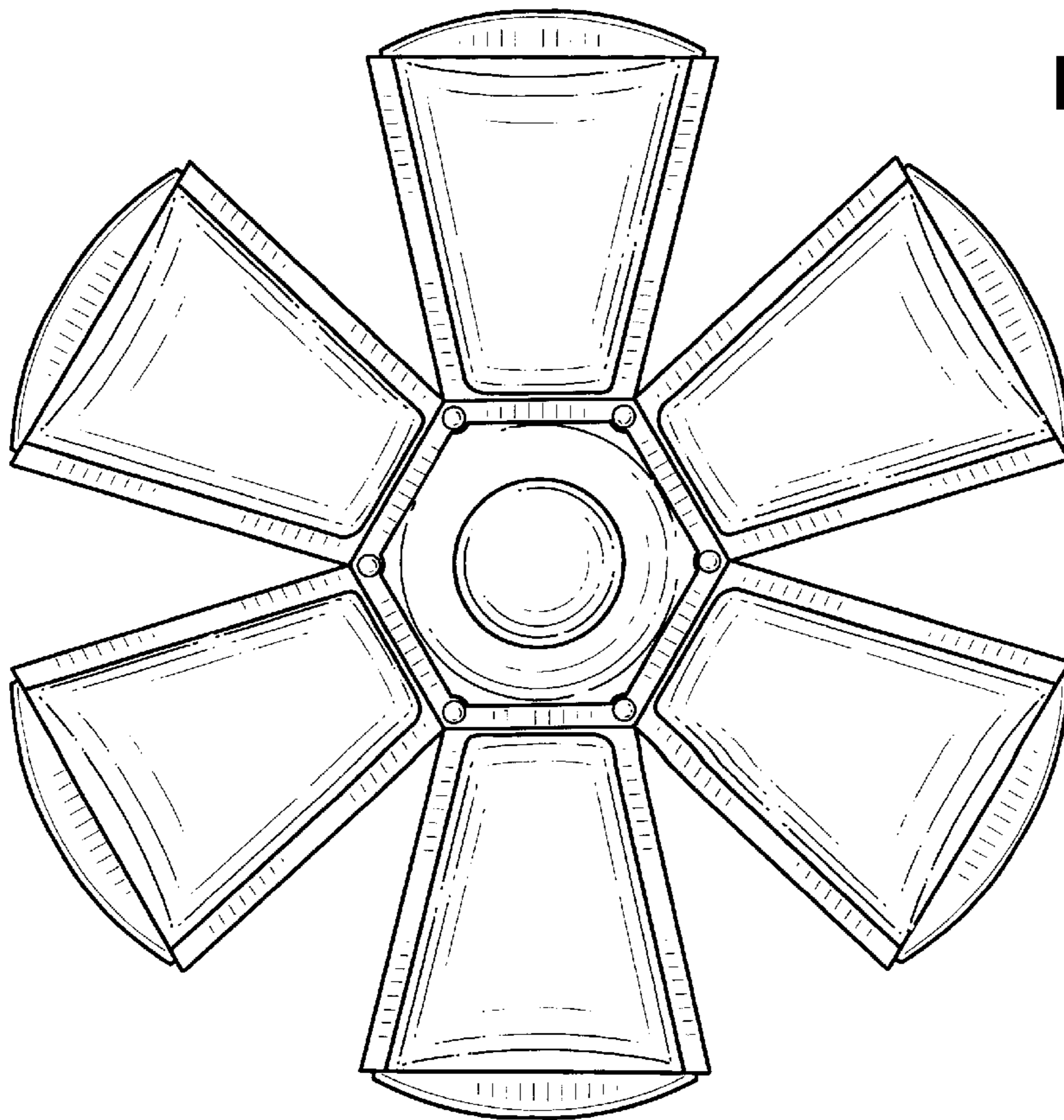


FIG. 8

FIG. 9

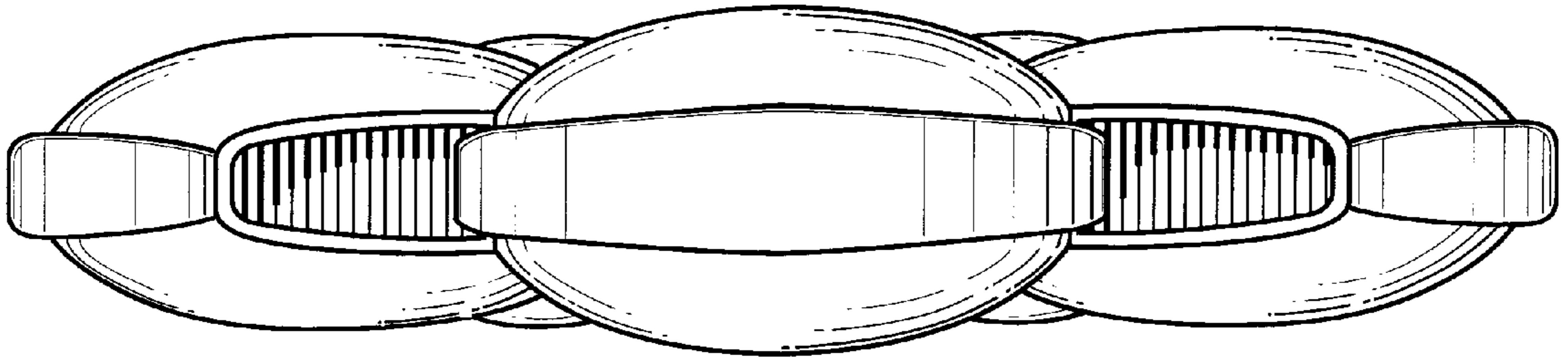


FIG. 10

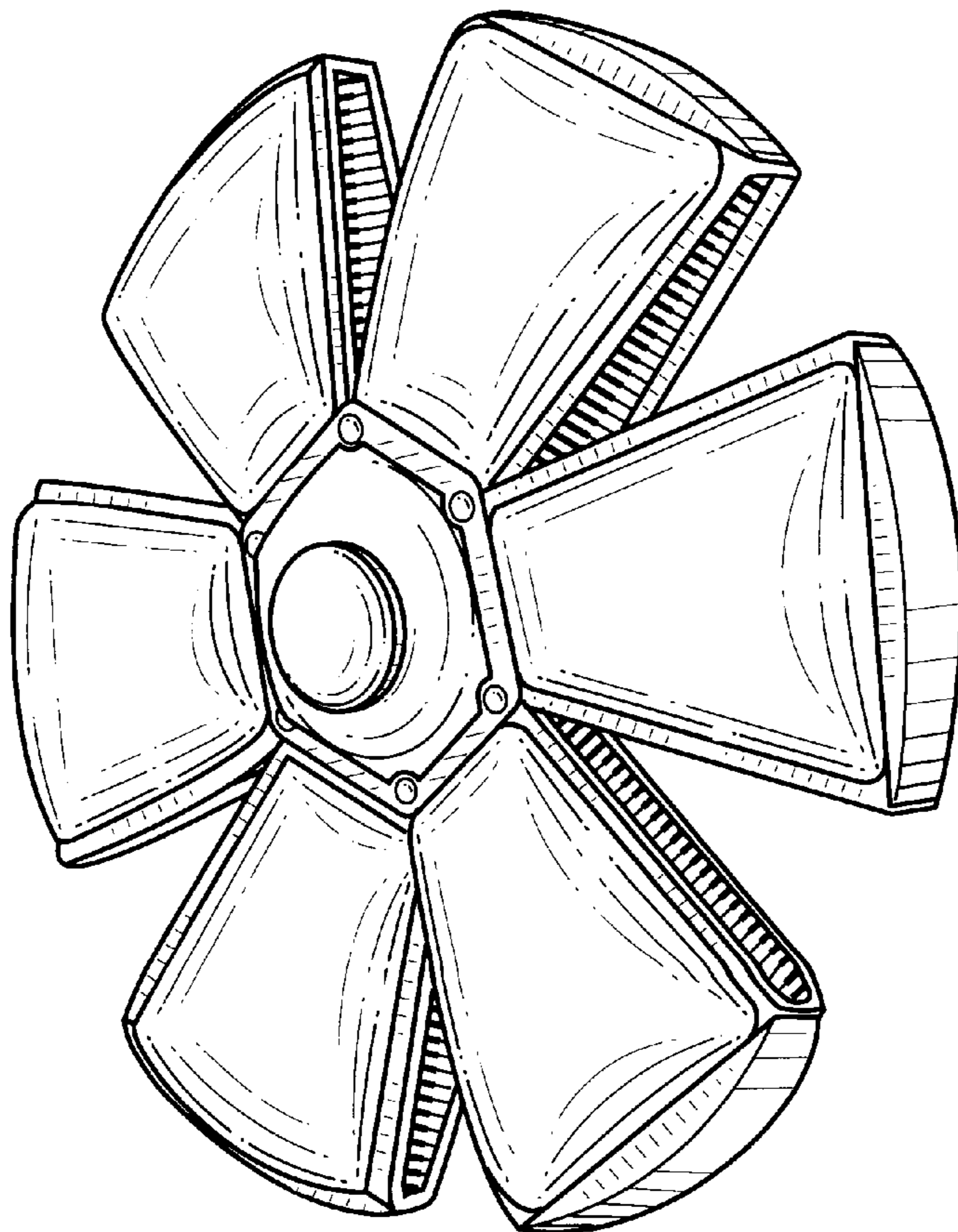


FIG. 11

