



US00D434453S

United States Patent [19] Kenyon

[11] Patent Number: **Des. 434,453**

[45] Date of Patent: **** Nov. 28, 2000**

[54] **PYRAMID DART GAME**

[76] Inventor: **Andrew Manry Kenyon**, 4807 Roosie La., Jacksonville, Fla. 32210

[**] Term: **14 Years**

[21] Appl. No.: **29/112,677**

[22] Filed: **Oct. 21, 1999**

[51] **LOC (7) Cl.** **21-01**

[52] **U.S. Cl.** **D21/308; D21/303; D21/336**

[58] **Field of Search** D21/302, 303, D21/308, 334-368; 273/108, 175, 122 R, 236-288, 398, 402

[56] **References Cited**

U.S. PATENT DOCUMENTS

D. 26,909	4/1897	Galladudet	D21/362
D. 29,648	11/1898	Miller	D21/341
D. 104,775	6/1937	Grossman	D21/336
D. 276,448	11/1984	Kim et al.	D21/5
D. 341,381	11/1993	Niebling	D21/5

D. 375,529	11/1996	Kohler	D21/5
463,903	11/1891	Kent	D21/340
1,024,651	4/1912	Reeves	273/402
4,477,080	10/1984	Baker	273/241

Primary Examiner—Sandra L. Morris
Attorney, Agent, or Firm—Richard S. Vermut, Esq.

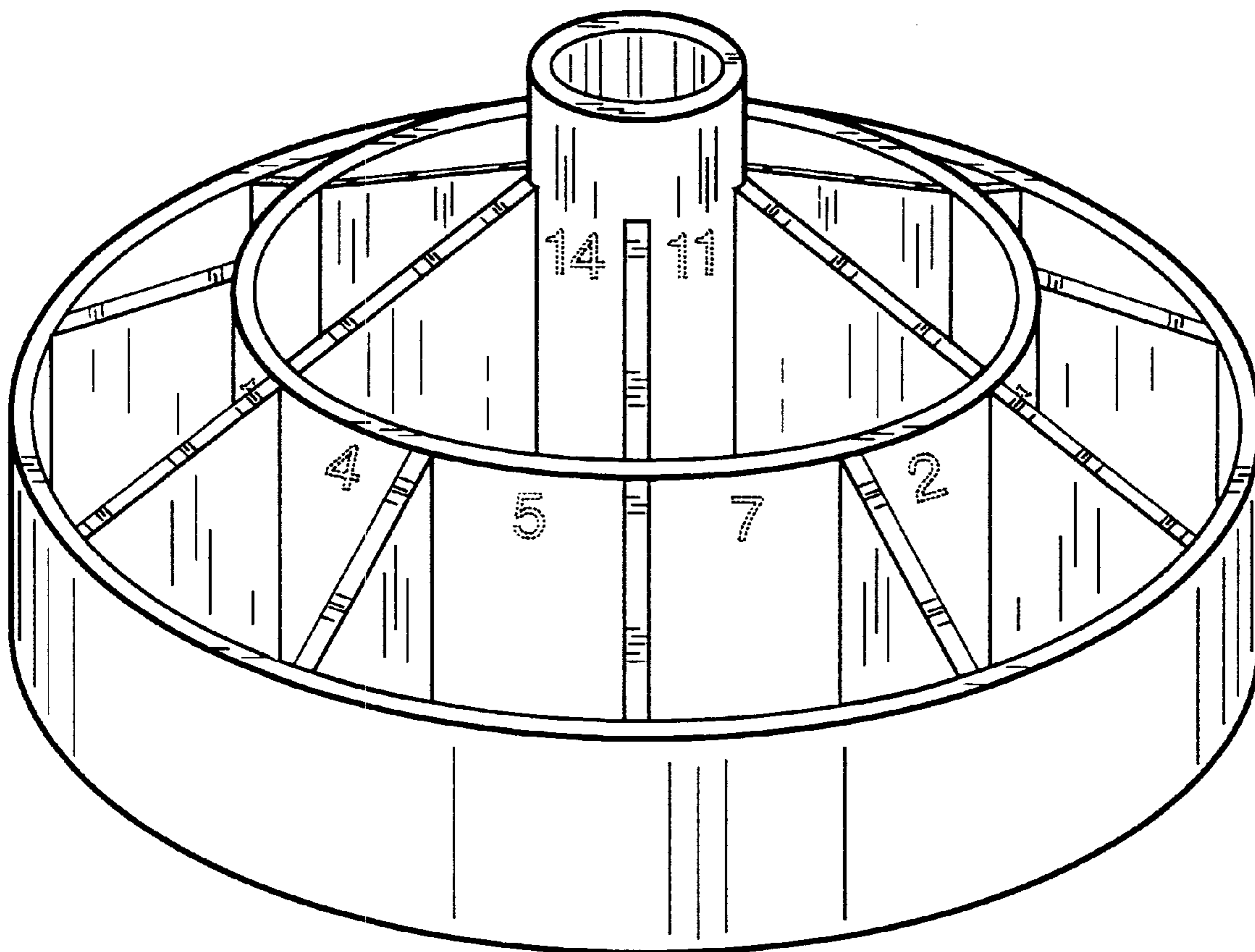
[57] **CLAIM**

The ornamental design for a pyramid dart game, as shown and described.

DESCRIPTION

FIG. 1 is a perspective view of the pyramid dart game showing my new design; FIG. 2 is a top plan view thereof; FIG. 3 is a left side elevation view thereof; FIG. 4 is a right side elevation view thereof; and, FIG. 5 is a bottom plan view thereof. The broken line showing of the numbers is for illustrative purposes only, and forms no part of the claimed design. FIGS. 2-5 are shown on a reduced scale.

1 Claim, 2 Drawing Sheets



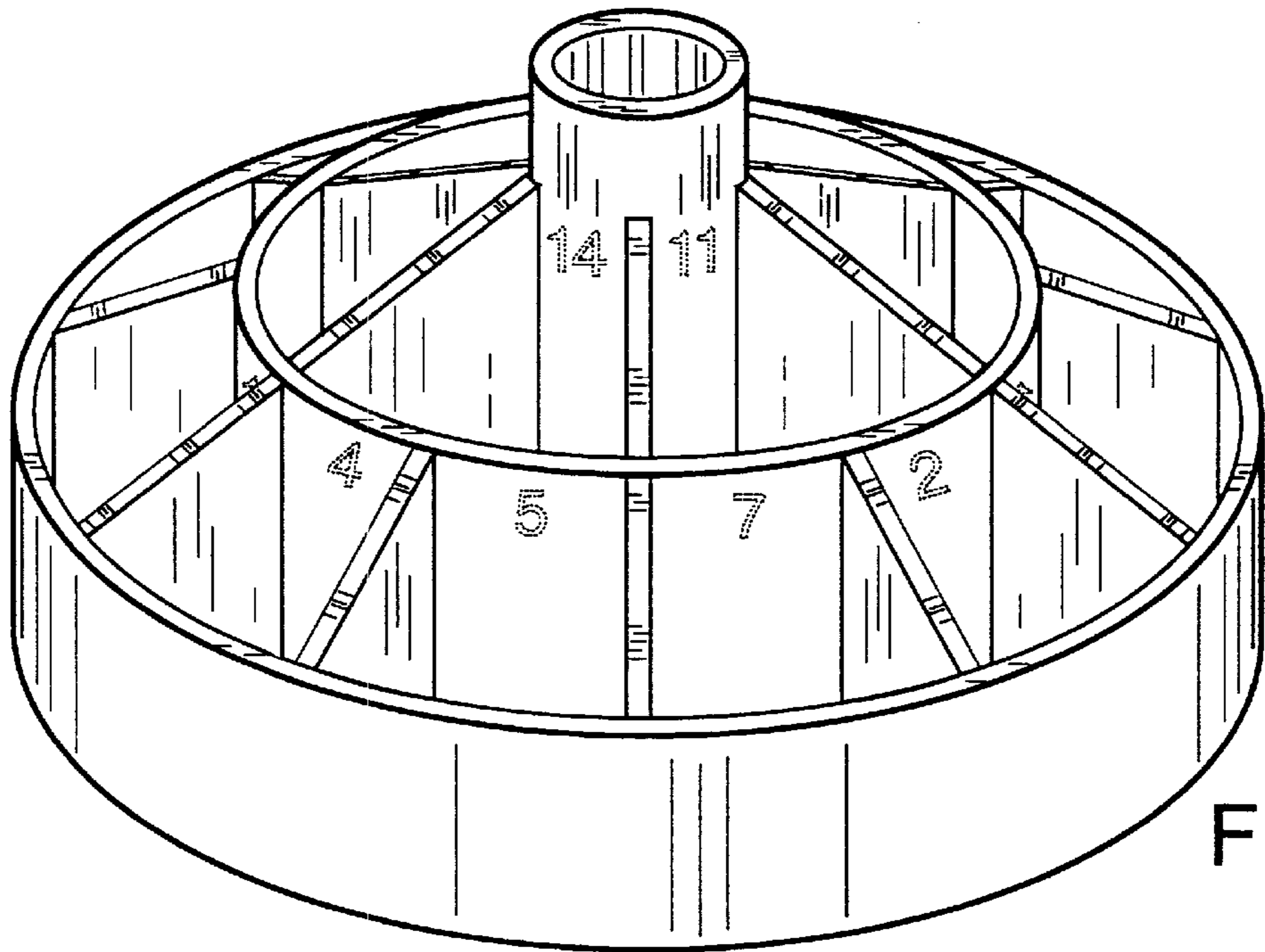


FIG. 1

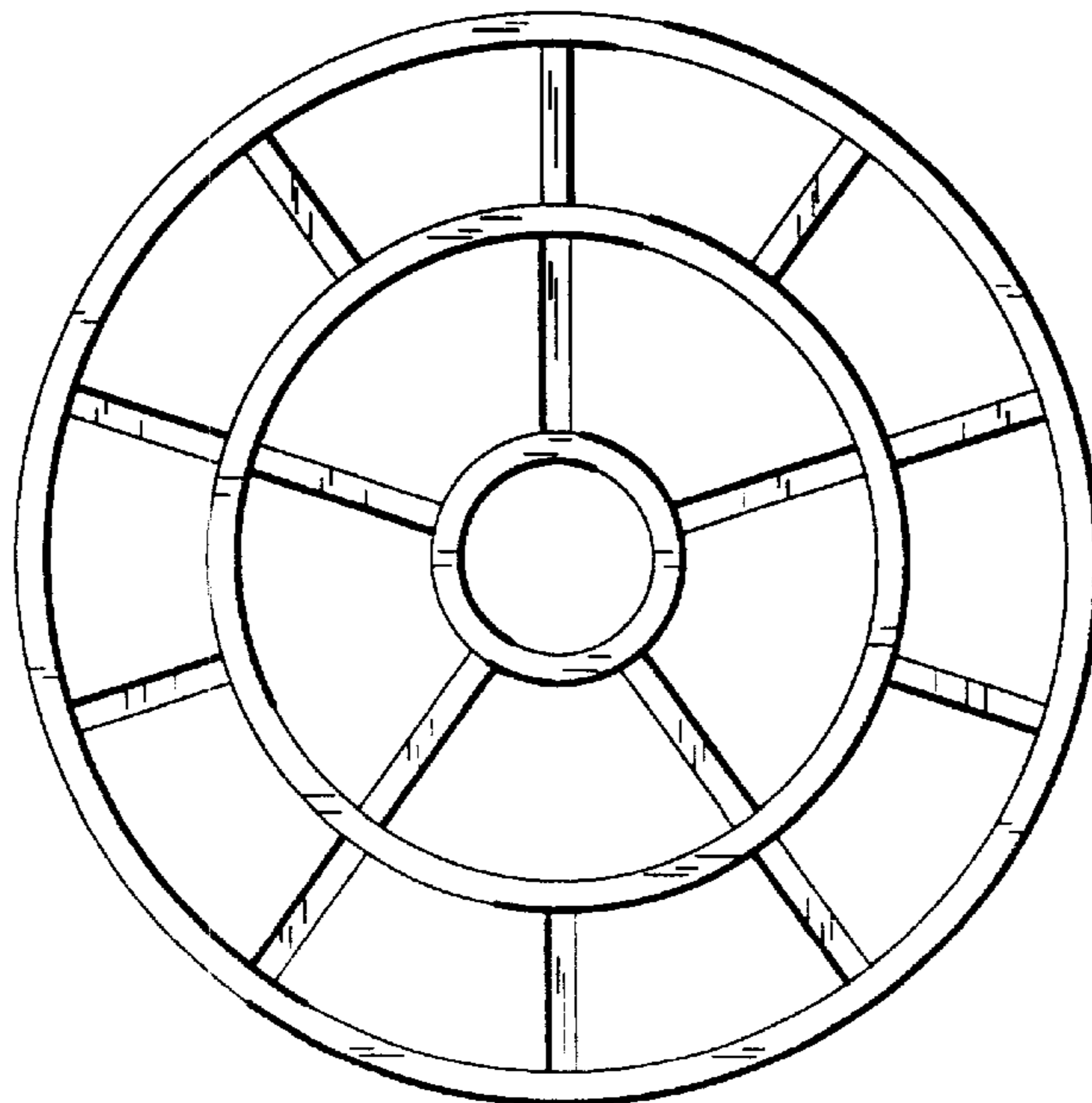


FIG. 5

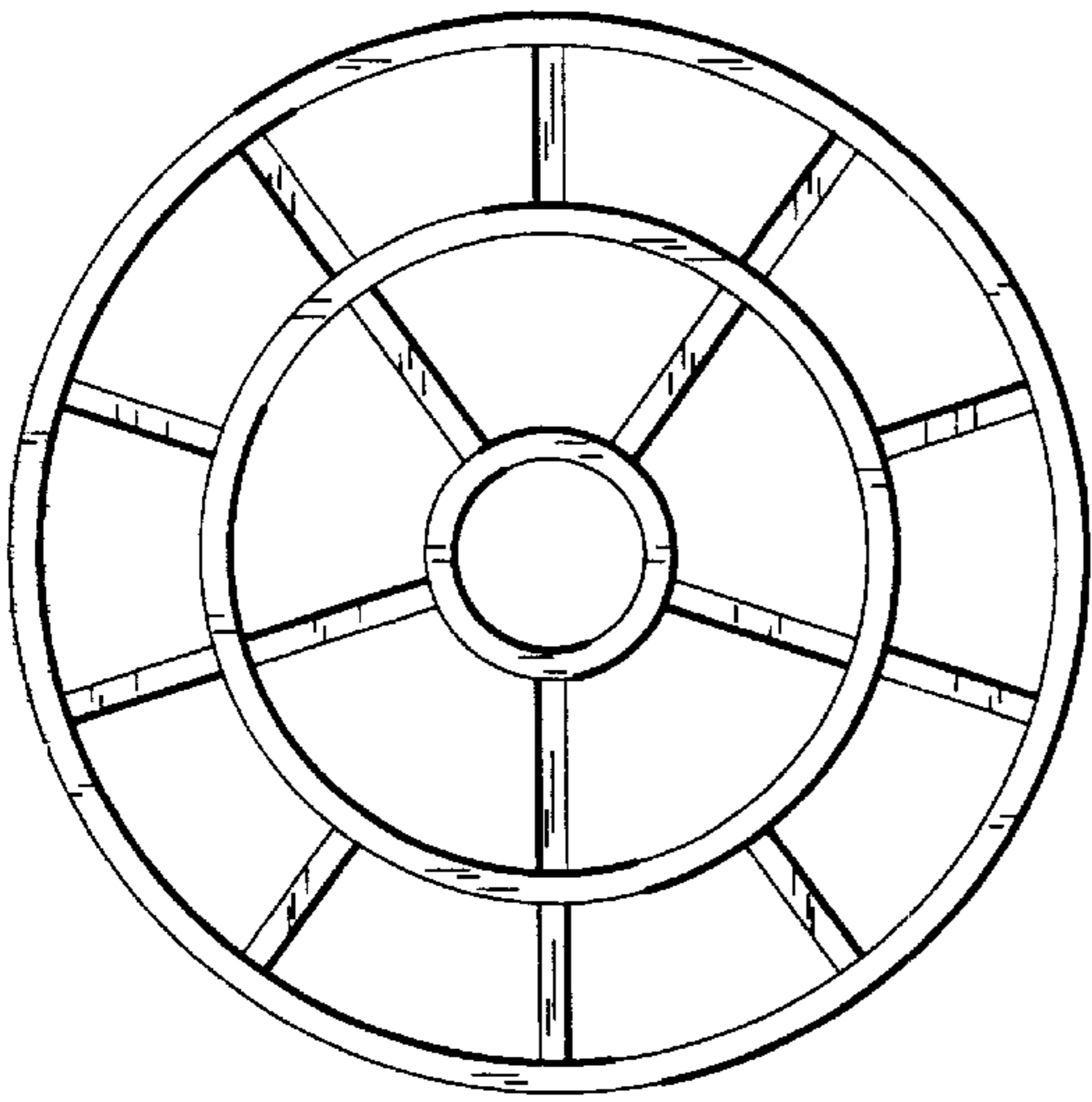


FIG. 2

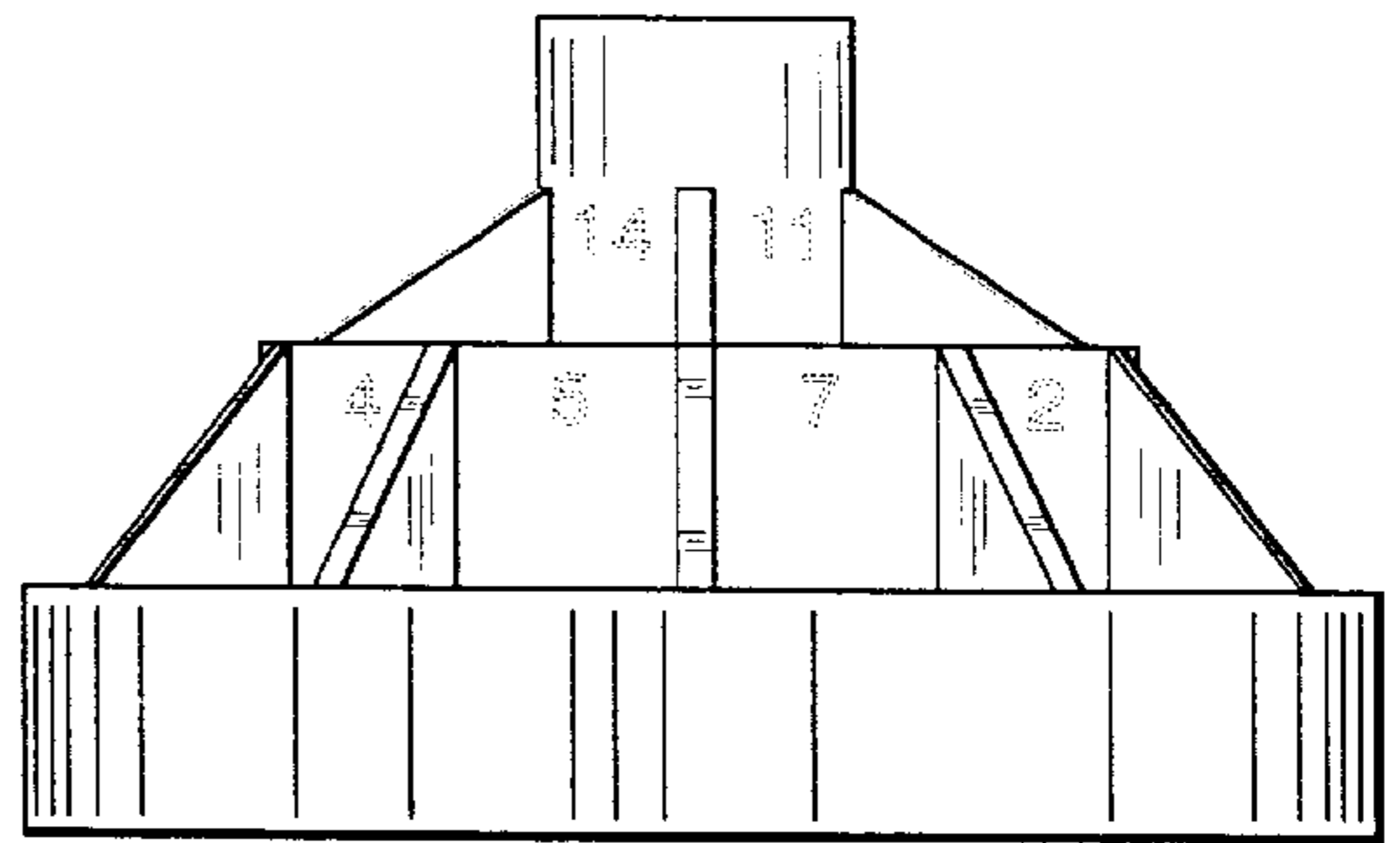


FIG. 3

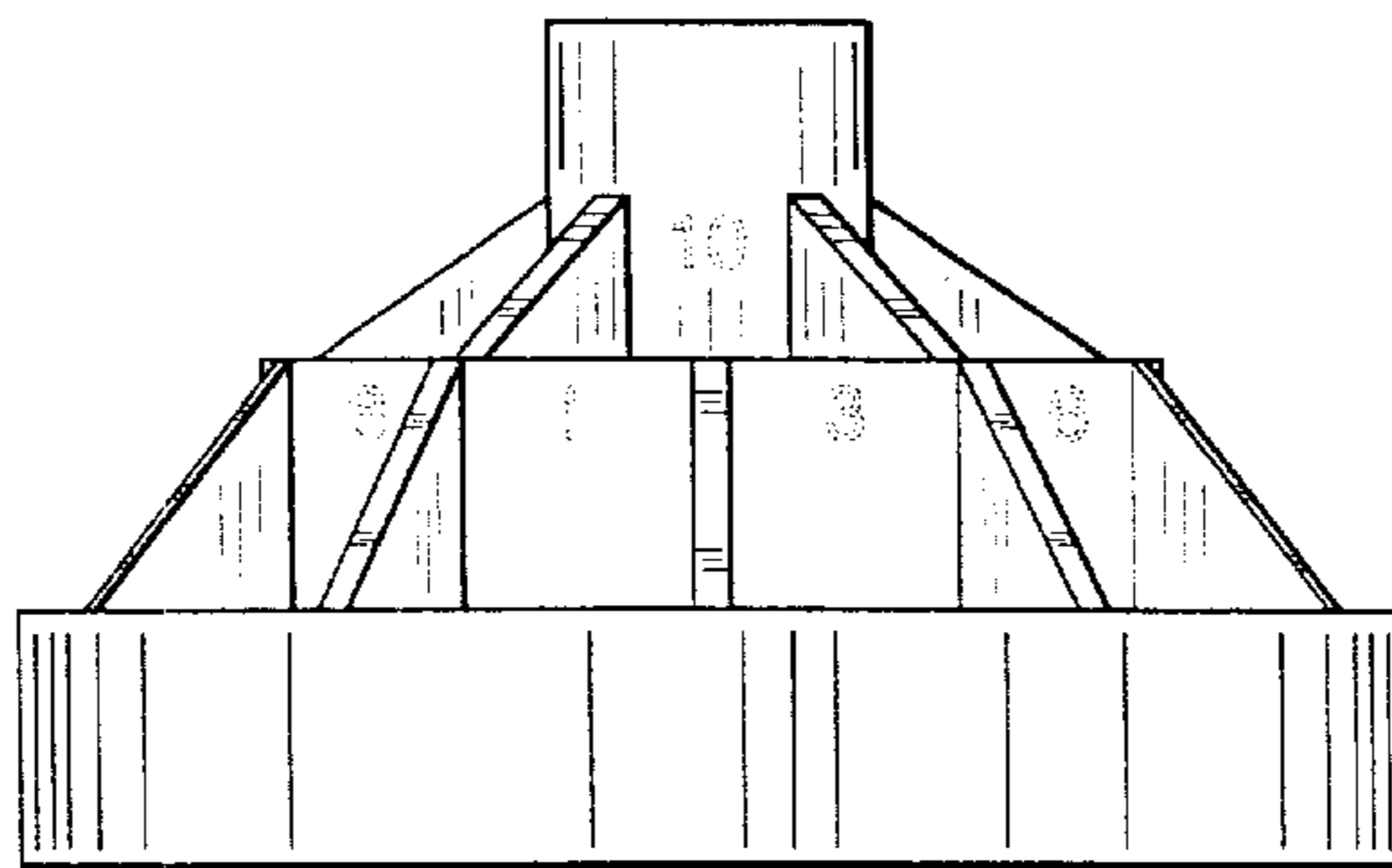


FIG. 4