



US00D434448S

**United States Patent** [19]  
**Koebbe**

[11] **Patent Number: Des. 434,448**

[45] **Date of Patent: \*\* Nov. 28, 2000**

[54] **PUBLICATION VENDING CABINET**

[76] **Inventor: Richard R. Koebbe**, 1132 Ferris Rd.,  
P.O. Box 507, Amelia, Ohio 45102

[\*\*] **Term: 14 Years**

[21] **Appl. No.: 29/120,385**

[22] **Filed: Mar. 20, 2000**

[51] **LOC (7) Cl. .... 20-01**

[52] **U.S. Cl. .... D20/6**

[58] **Field of Search** ..... D20/1, 4, 6; 194/255,  
194/291, 350; 221/154, 155, 191, 194,  
195, 213, 215

[56] **References Cited**

**U.S. PATENT DOCUMENTS**

D. 82,555 11/1930 Grant ..... D20/4  
D. 266,773 11/1982 Poirier ..... D20/1  
D. 287,513 12/1986 Chalabian ..... D20/6

D. 310,387 9/1990 Scardino ..... D20/6  
D. 320,047 9/1991 Novak ..... D20/1  
4,413,749 11/1983 Glaser ..... 221/213 X  
4,919,250 4/1990 Olson et al. .... 194/350 X

*Primary Examiner*—Nanda Bondade  
*Attorney, Agent, or Firm*—Jacox, Meckstroth & Jenkins

[57] **CLAIM**

The ornamental design of a publication vending cabinet, as shown and described.

**DESCRIPTION**

FIG. 1 is a front view of a publication vending cabinet showing my new design;

FIG. 2 is a side view thereof, the opposite side view being a mirror image;

FIG. 3 is a top view thereof; and,

FIG. 4 is a rear view thereof.

**1 Claim, 2 Drawing Sheets**

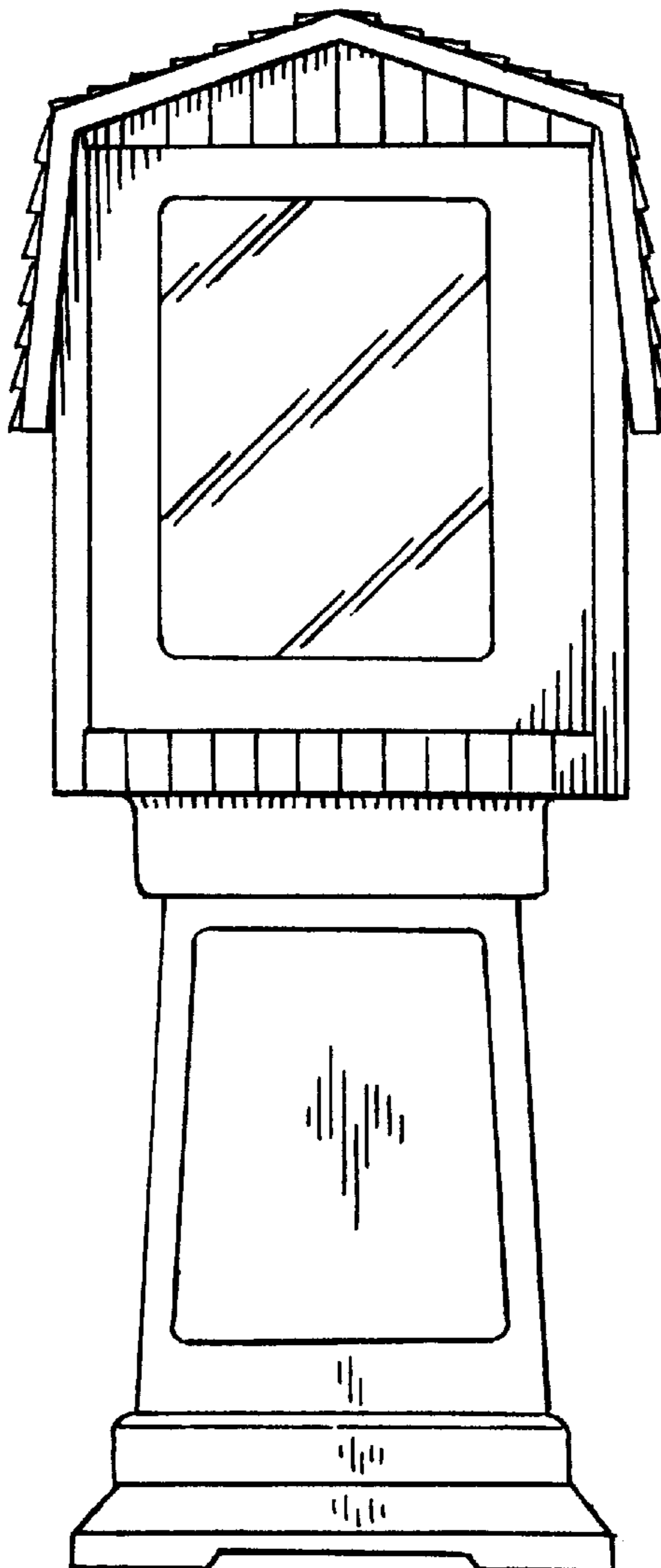


FIG-1

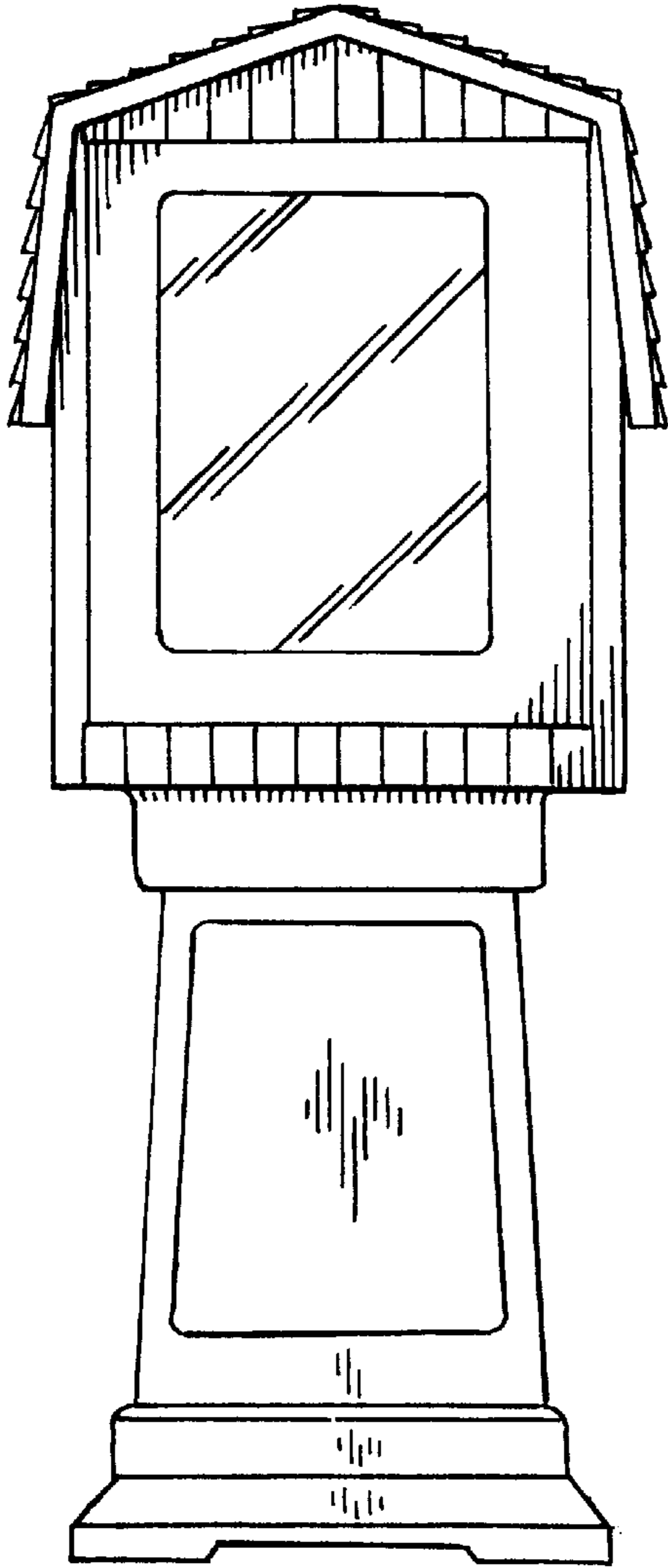


FIG-2

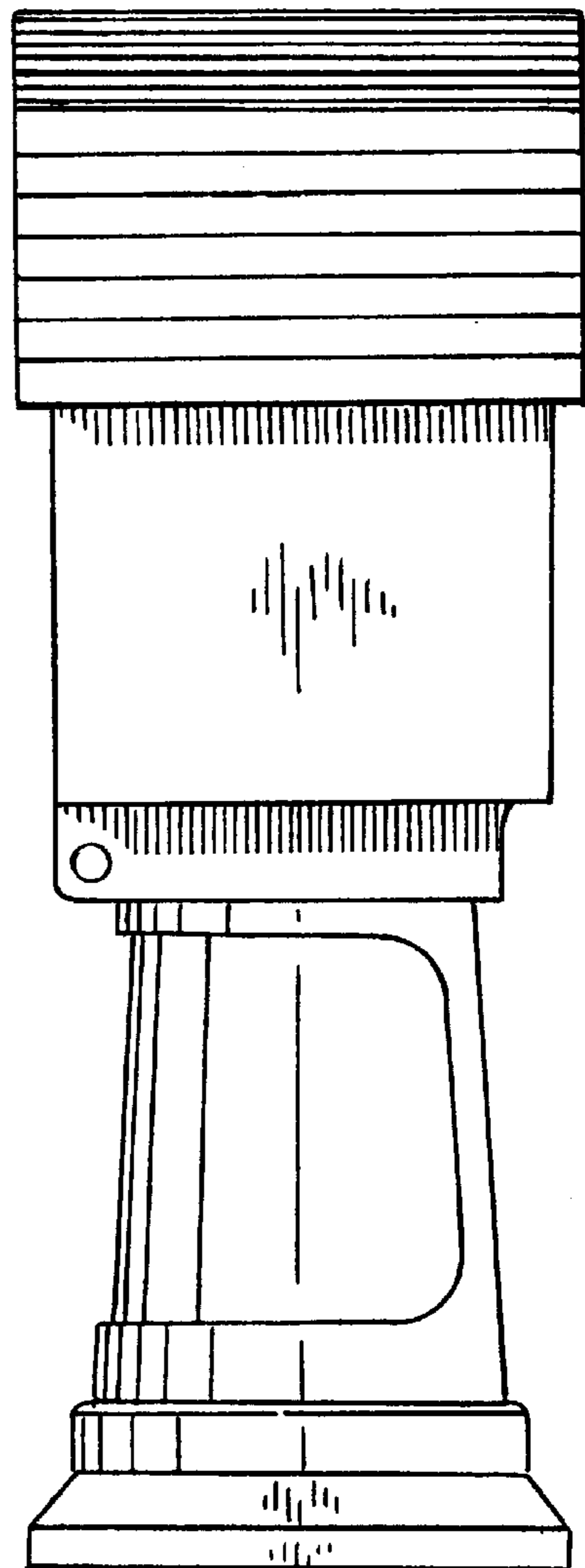


FIG-3

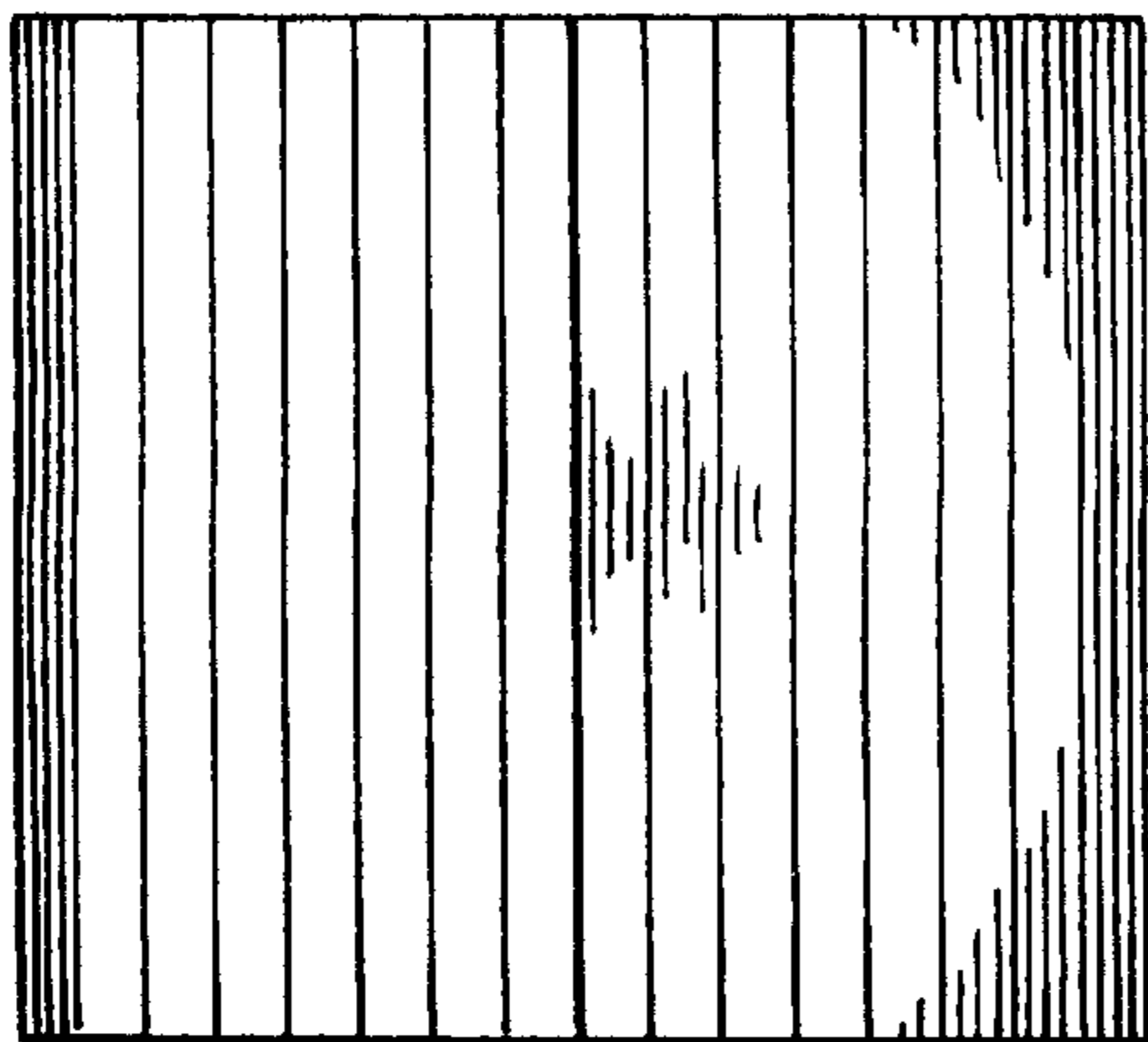


FIG-4

