



US00D434447S

United States Patent [19] Koebbe

[11] **Patent Number: Des. 434,447**

[45] **Date of Patent: ** Nov. 28, 2000**

[54] **PUBLICATION VENDING CABINET**

[76] **Inventor: Richard R. Koebbe**, 1132 Ferris Rd.,
P.O. Box 507, Amelia, Ohio 45102

[**] **Term: 14 Years**

[21] **Appl. No.: 29/119,572**

[22] **Filed: Feb. 29, 2000**

[51] **LOC (7) Cl. 20-01**

[52] **U.S. Cl. D20/6**

[58] **Field of Search** D20/1, 4, 6; 194/255,
194/291, 350; 221/154, 155, 191, 194,
195, 213, 215

[56] **References Cited**

U.S. PATENT DOCUMENTS

D. 266,773	11/1982	Poirier	D20/1
D. 287,513	12/1986	Chalabian	D20/6
D. 310,387	9/1990	Scardino	D20/6
D. 317,468	6/1991	Olson et al.	D20/6

D. 320,047	9/1991	Novak	D20/1
D. 353,841	12/1994	Krol et al.	D20/6
D. 414,515	9/1999	Berckenhoff et al. .	
4,413,749	11/1983	Glaser	221/213 X
4,919,250	4/1990	Olson et al. .	

Primary Examiner—Nanda Bondade
Attorney, Agent, or Firm—Jacox, Meckstroth & Jenkins

[57] **CLAIM**

The ornamental design for a publication vending cabinet, as shown and described.

DESCRIPTION

FIG. 1 is a perspective view of a publication vending cabinet showing my new design;
FIG. 2 is a front view thereof;
FIG. 3 is a top view thereof;
FIG. 4 is a side view thereof, the opposite side view being a mirror image; and,
FIG. 5 is a rear view thereof.

1 Claim, 2 Drawing Sheets

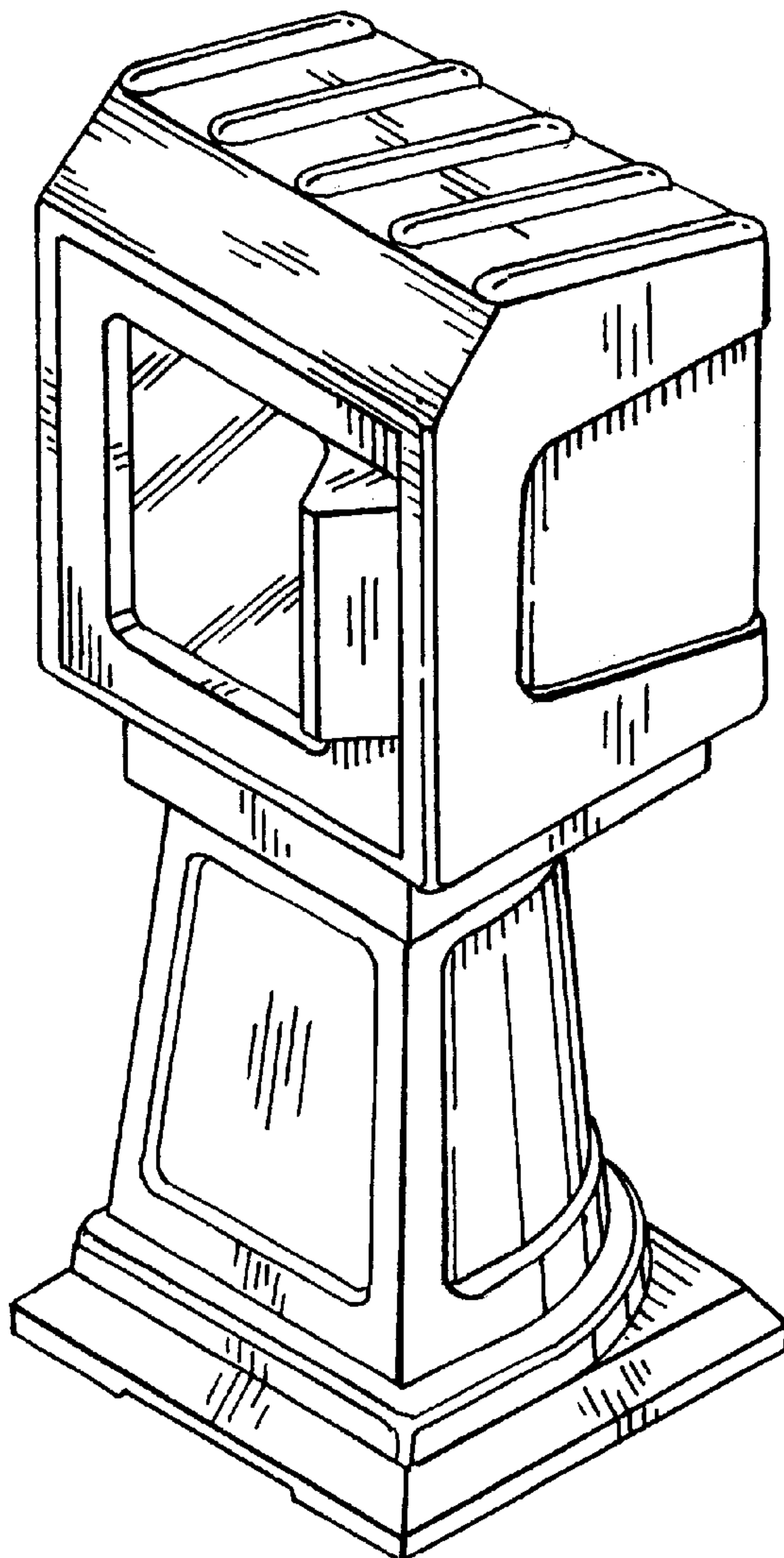


FIG-1

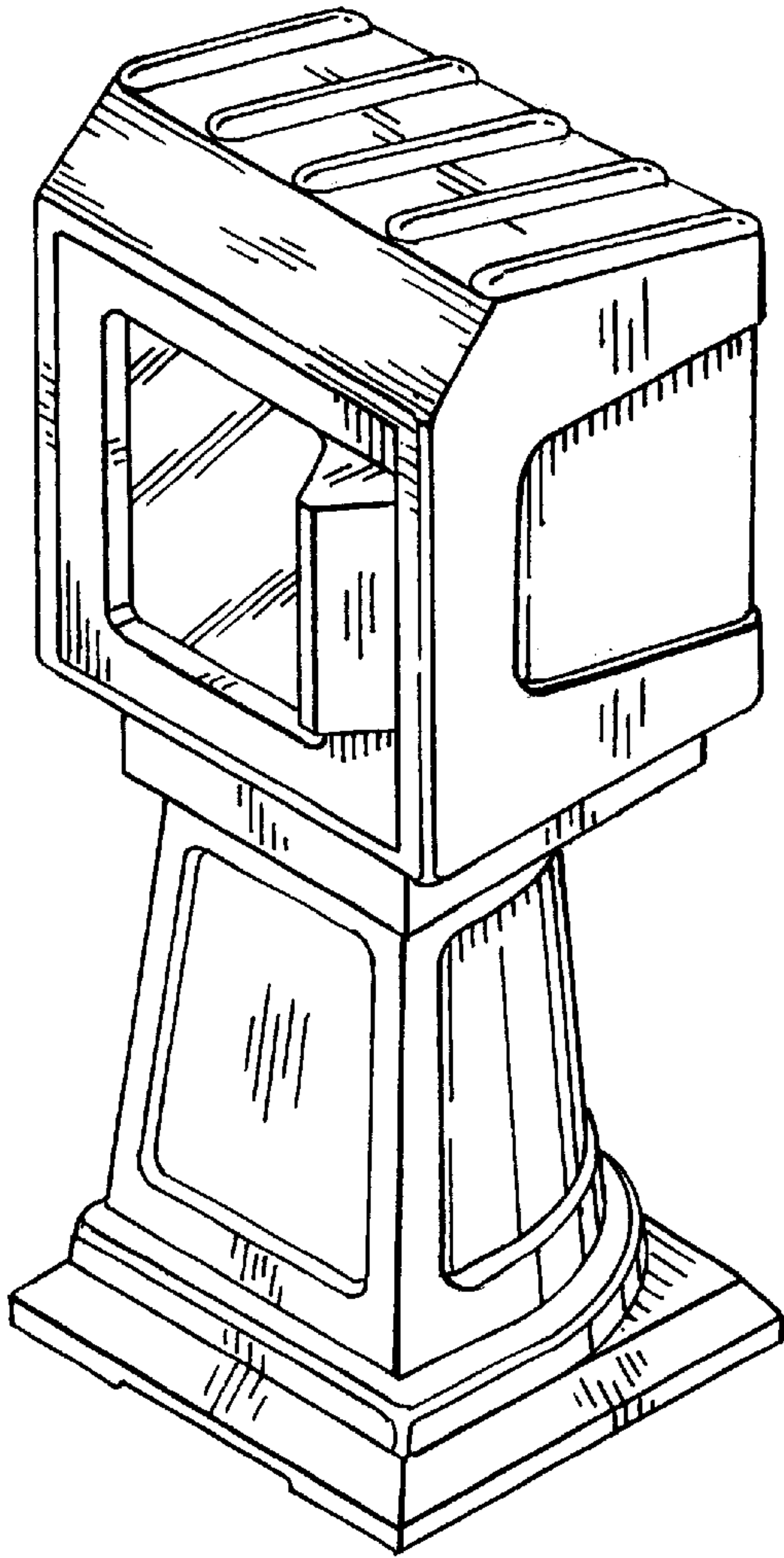


FIG-2

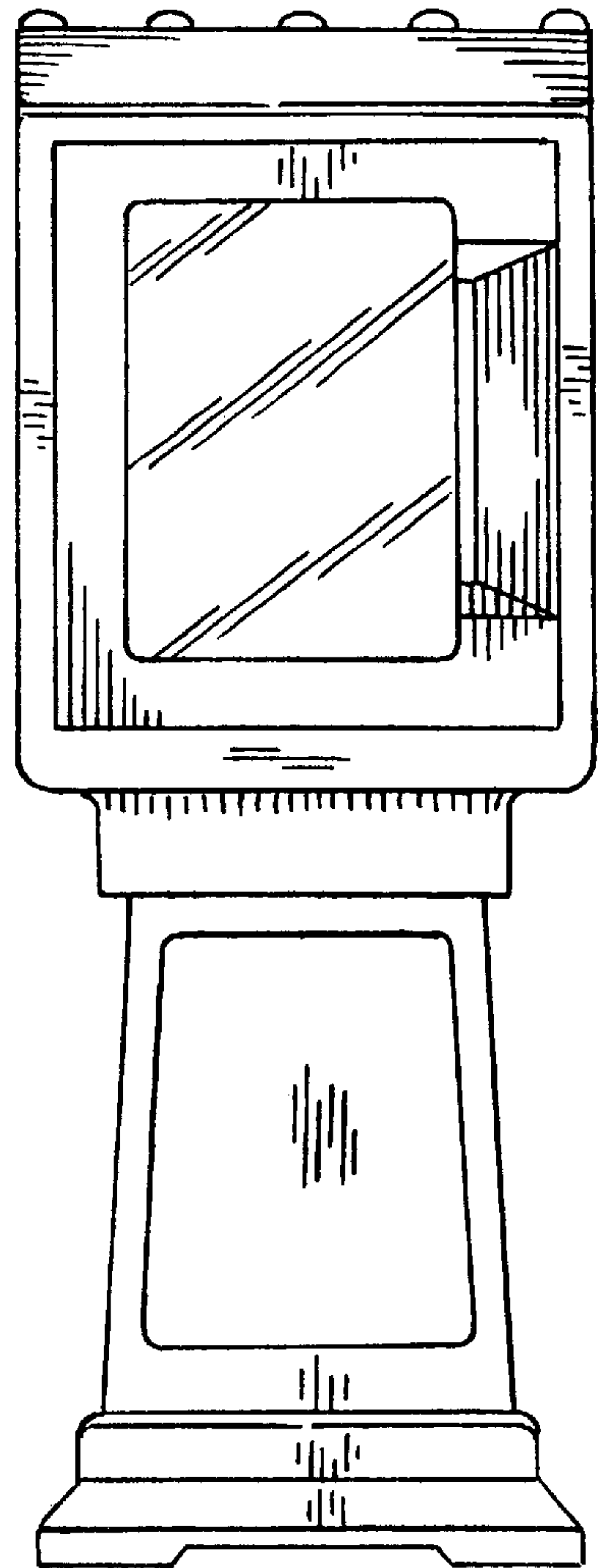


FIG-3

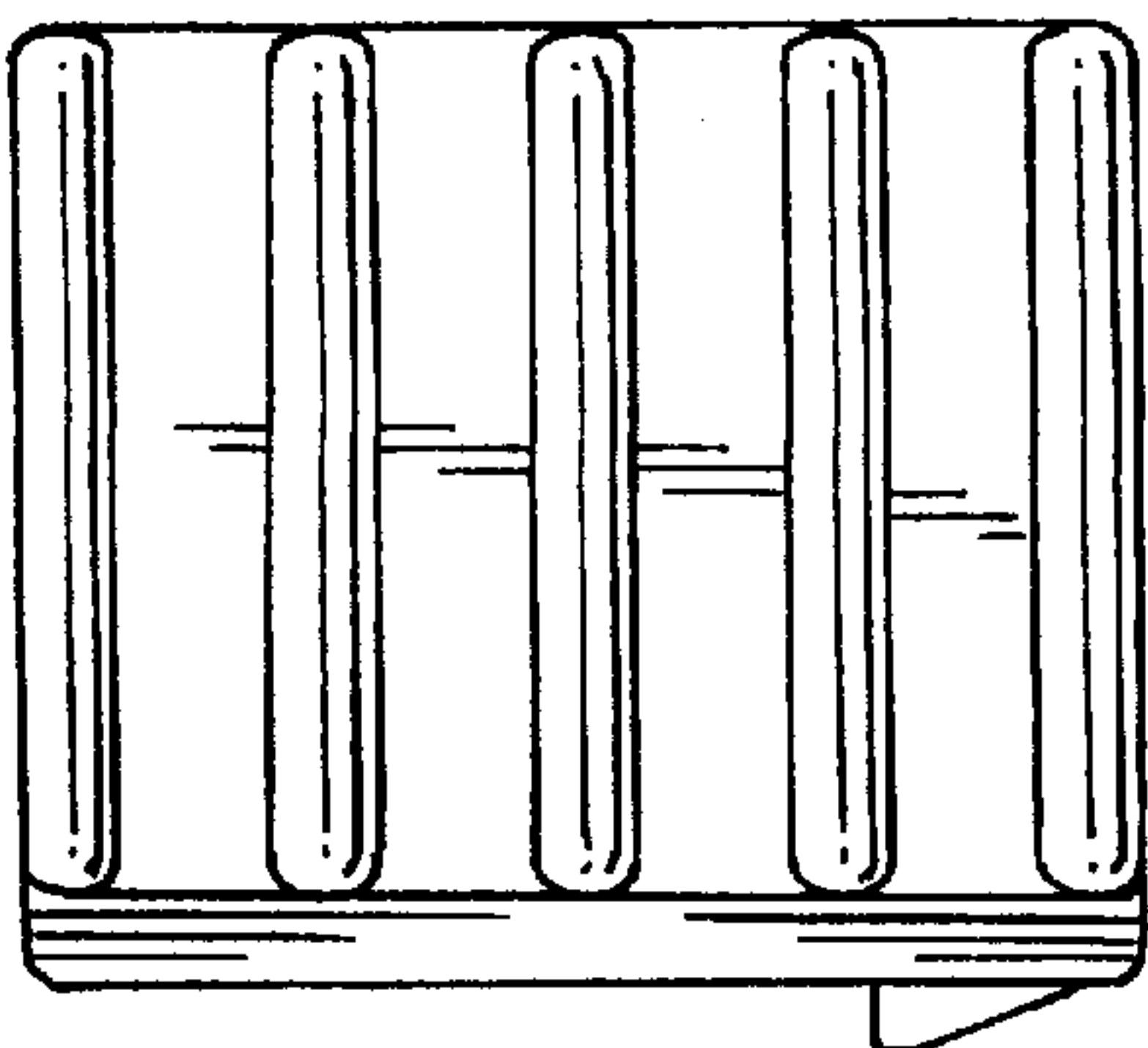


FIG-4

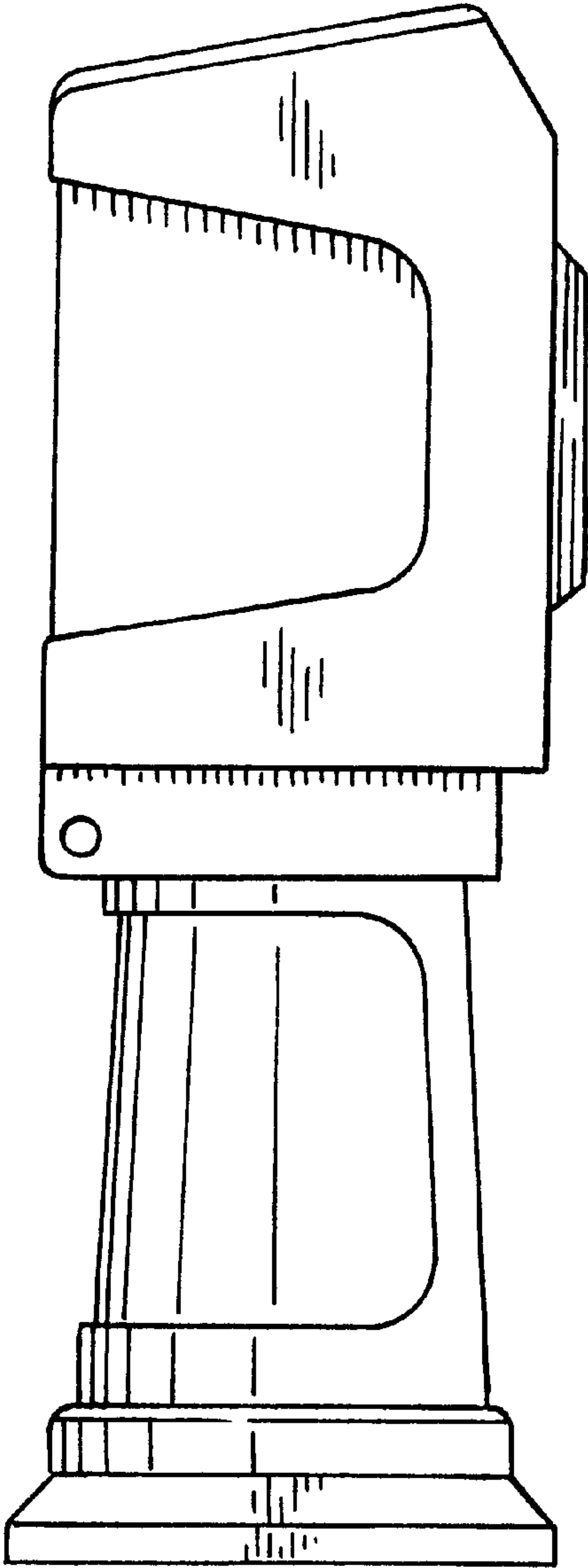


FIG-5

