



US00D434445S

United States Patent [19]
Marone

[11] **Patent Number: Des. 434,445**

[45] **Date of Patent: ** Nov. 28, 2000**

[54] **POPCORN VENDING MACHINE**

1,453,425 5/1923 Williams 194/255
2,772,811 12/1956 Schaef D20/7 X

[76] Inventor: **Chris Marone**, 95 S. Grove St., Apt.
1E, Valley Stream, N.Y. 11580

Primary Examiner—Nanda Bondade
Attorney, Agent, or Firm—Scully, Scott, Murphy & Presser

[**] Term: **14 Years**

[57] **CLAIM**

[21] Appl. No.: **29/119,129**

The ornamental design for a popcorn vending machine, as shown and described.

[22] Filed: **Feb. 24, 2000**

DESCRIPTION

[51] **LOC (7) Cl.** **20-01**

[52] **U.S. Cl.** **D20/3; D20/7**

[58] **Field of Search** D20/1, 3, 4, 7;
194/255, 258, 296, 350; 211/155, 240,
245

FIG. 1 is a perspective view of the popcorn vending machine showing my new design;
FIG. 2 is a front view thereof;
FIG. 3 is a right side view thereof, the opposite side view being the same;
FIG. 4 is a back view thereof; and,
FIG. 5 is a top plan view thereof, the bottom being unornamented.

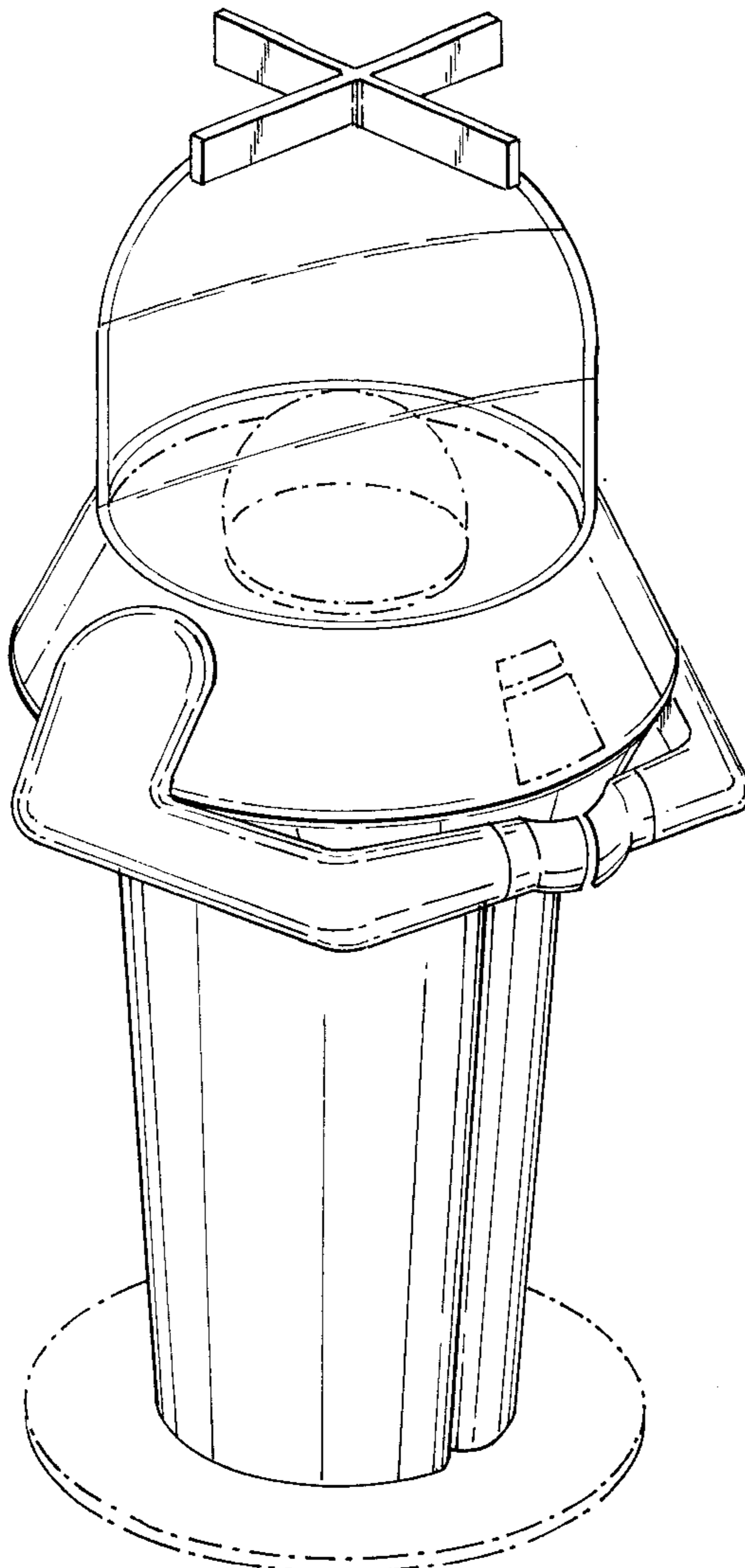
[56] **References Cited**

U.S. PATENT DOCUMENTS

- D. 112,295 11/1938 Trice D20/3
- D. 329,878 9/1992 Chen D20/3
- D. 333,681 3/1993 Stern D20/7
- D. 399,878 10/1998 Lin D20/7

The broken line showing on FIGS. 1–5 is for illustrative purposes only and forms no part of the claimed design.

1 Claim, 3 Drawing Sheets



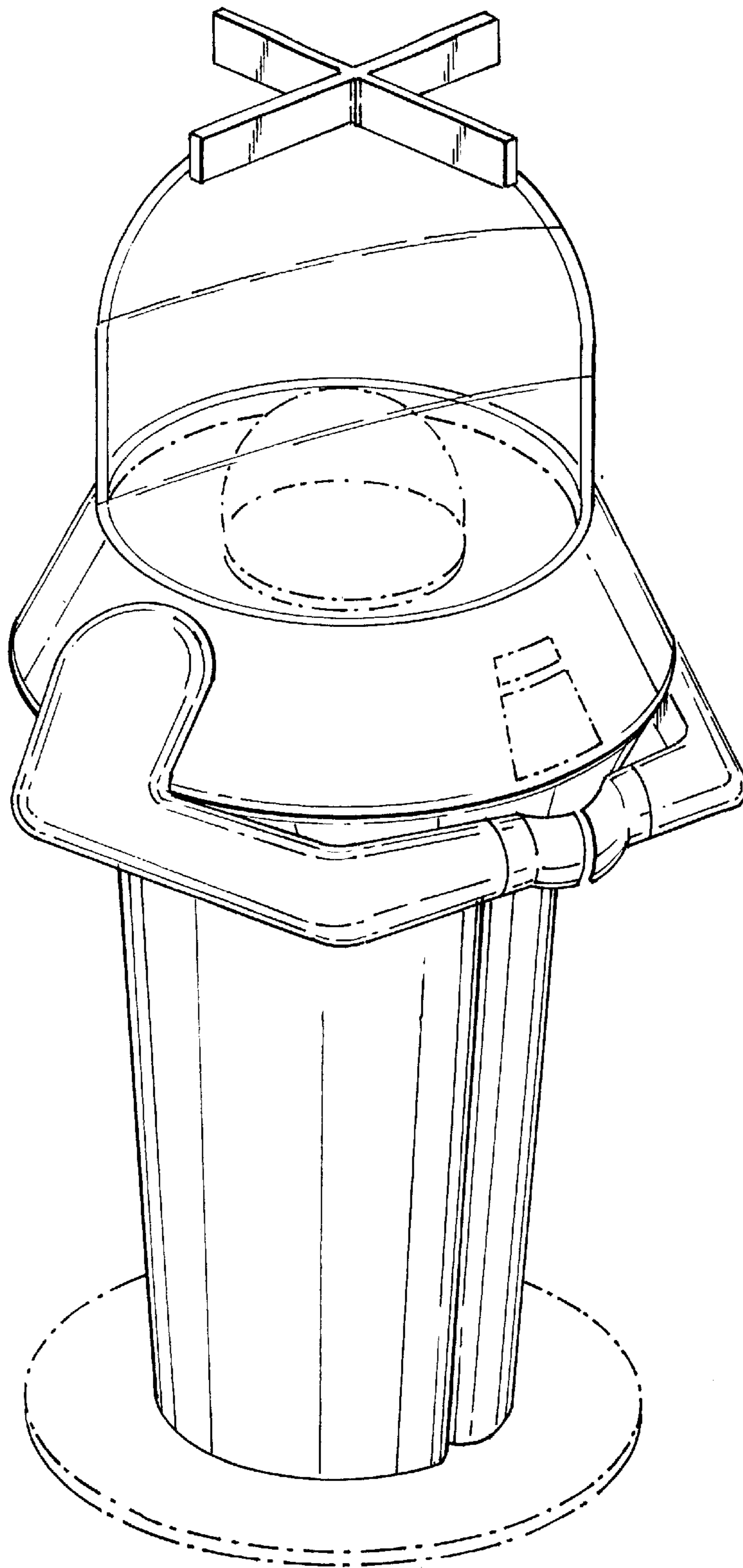


Fig. 1

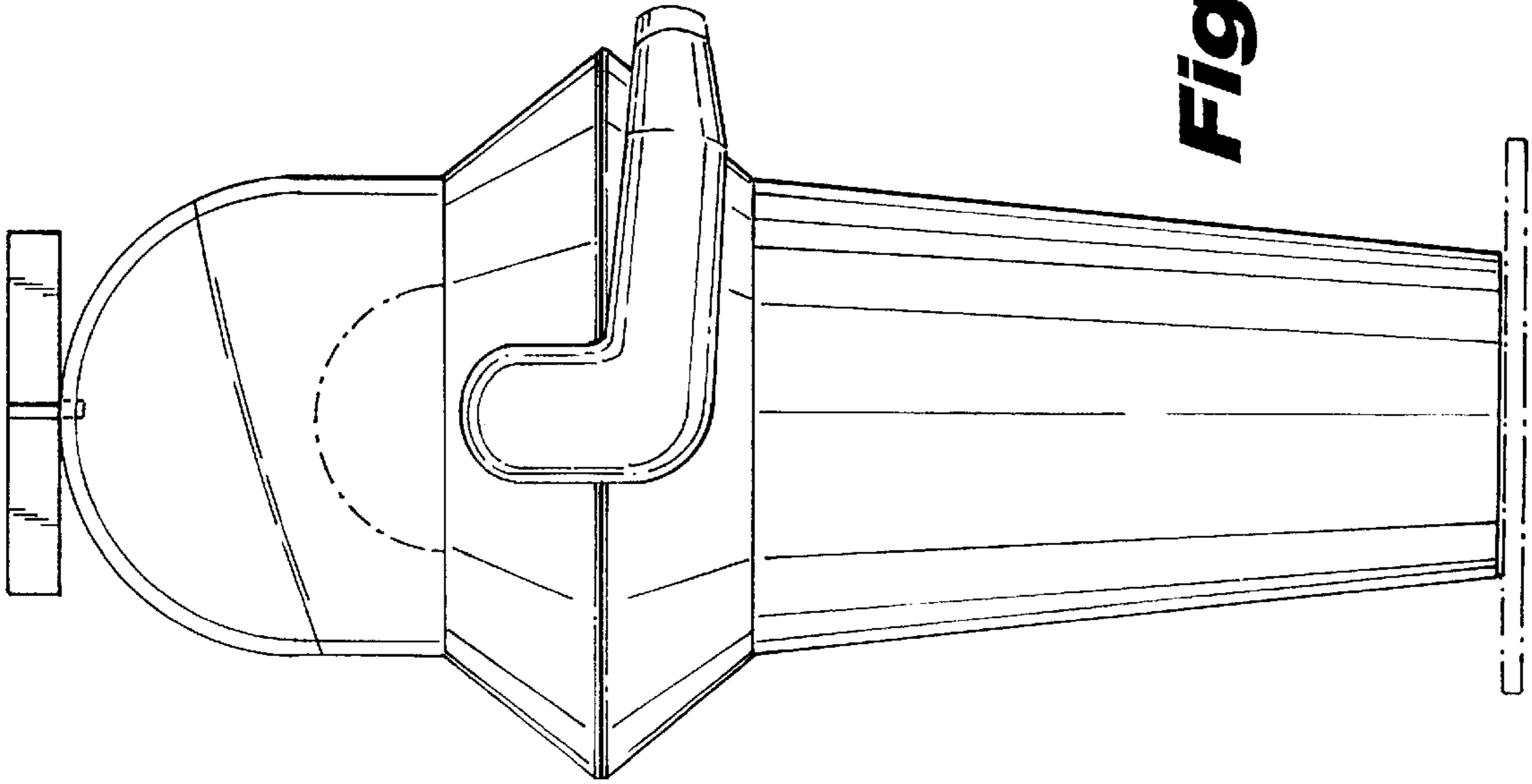


Fig. 3

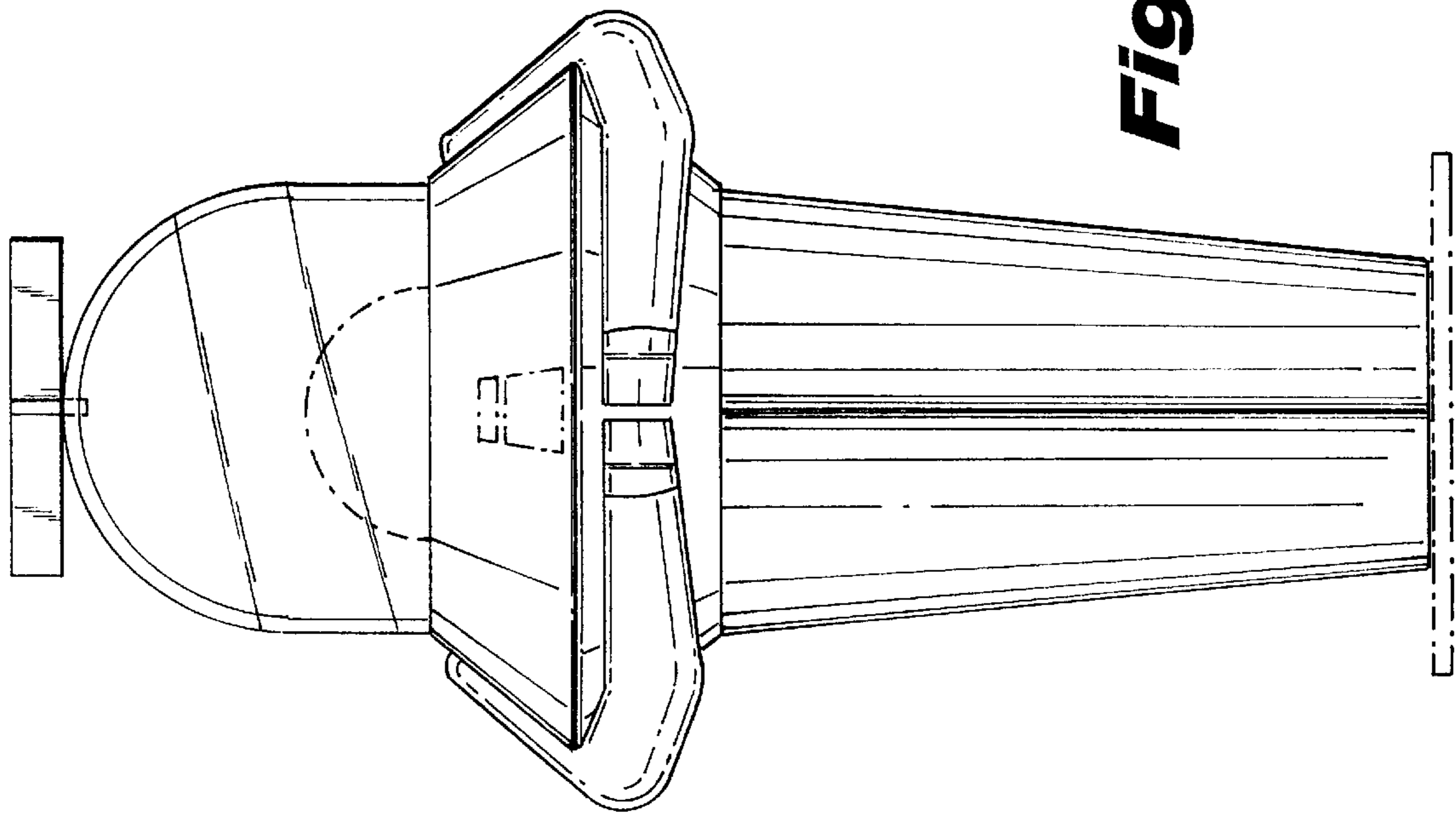


Fig. 2

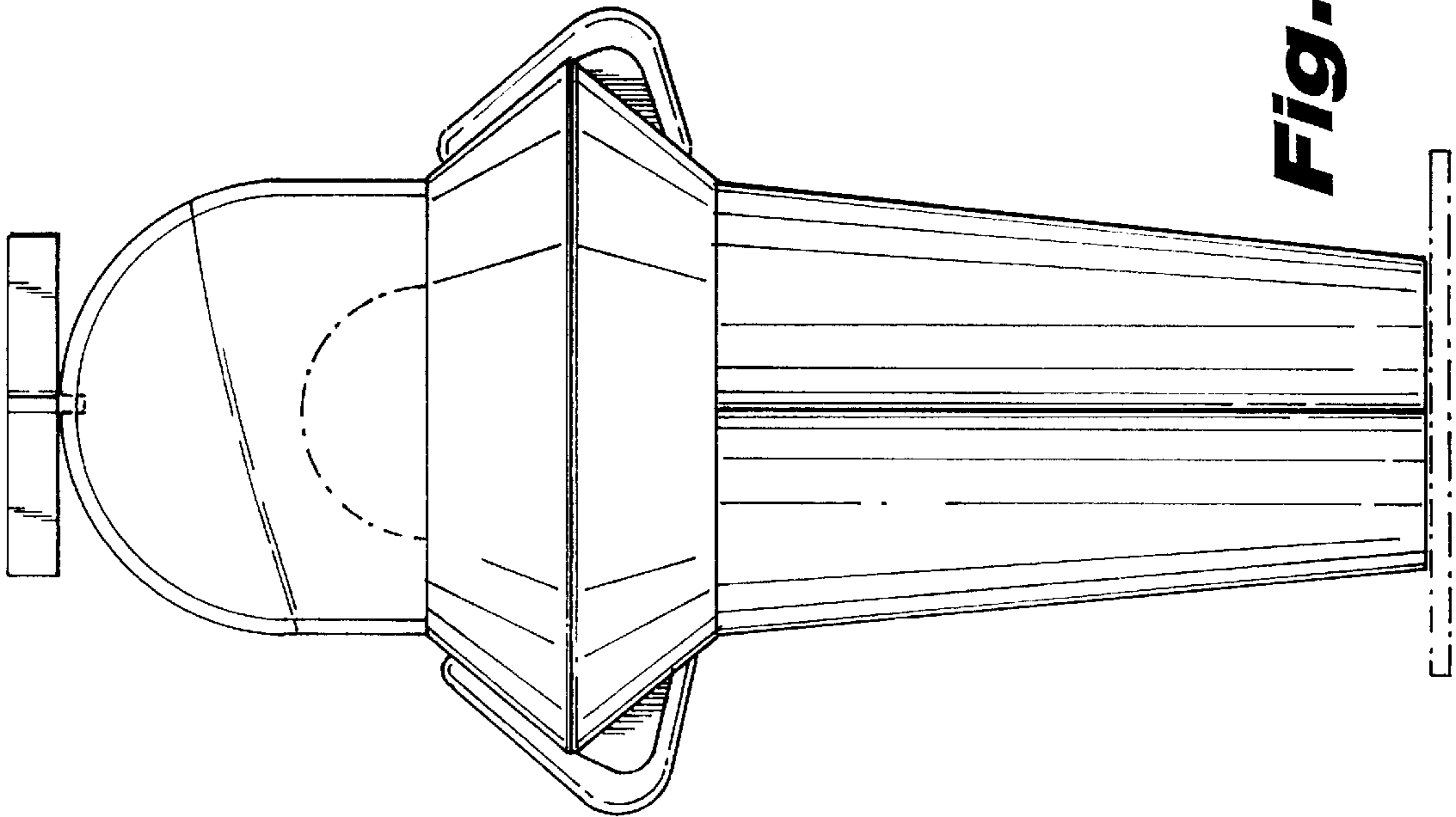


Fig. 4

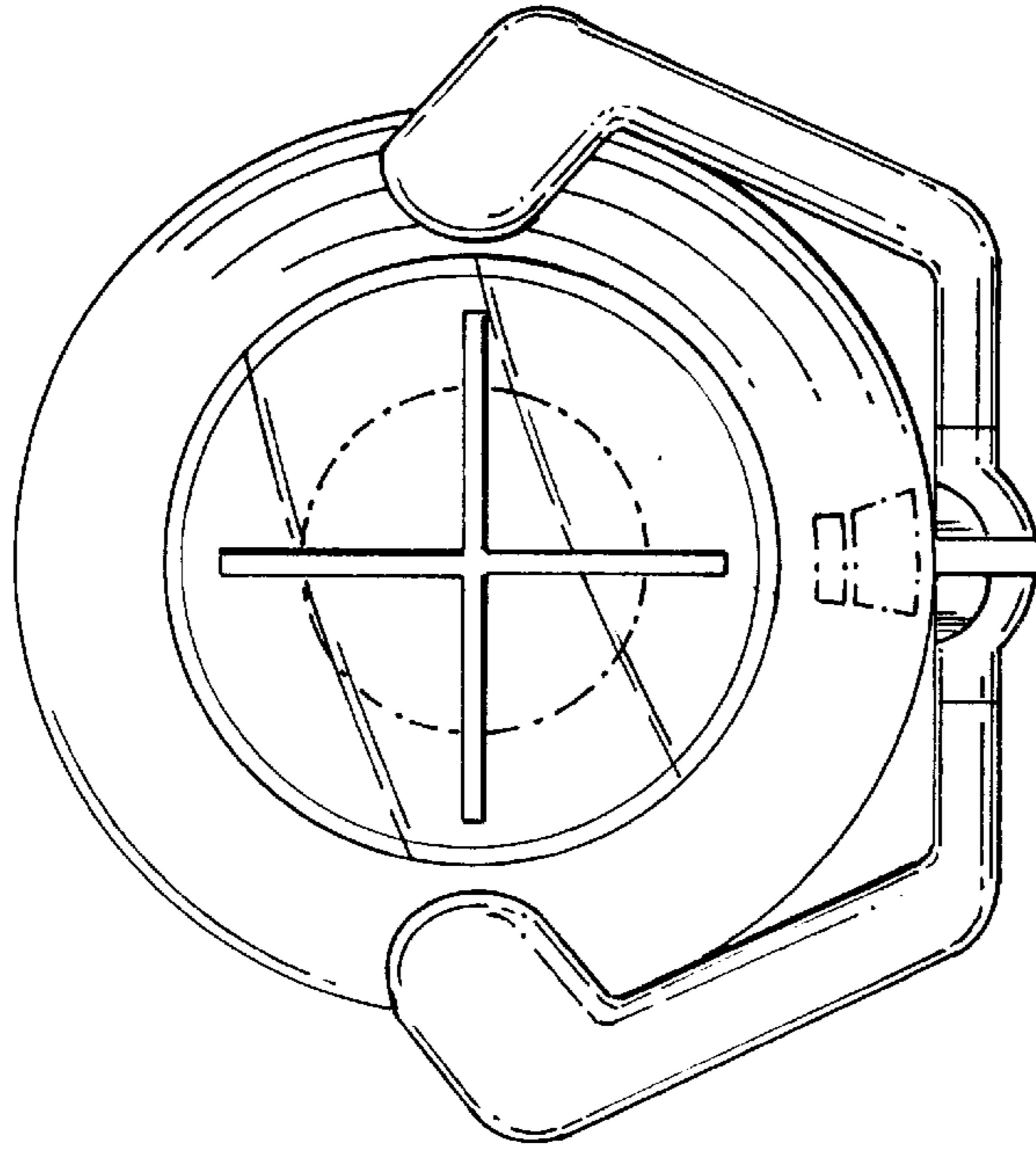


Fig. 5