



US00D434443S

# United States Patent [19]

Mori et al.

[11] Patent Number: **Des. 434,443**

[45] Date of Patent: **\*\* Nov. 28, 2000**

[54] **AUXILIARY DEVICE FOR A PUNCH**

[75] Inventors: **Makoto Mori; Miki Horita**, both of Katsushika-ku, Japan

[73] Assignee: **Carl Jimuki Kabushiki Kaisha**, Tokyo, Japan

[\*\*] Term: **14 Years**

[21] Appl. No.: **29/105,268**

[22] Filed: **May 20, 1999**

[51] **LOC (7) Cl.** ..... **19-02**

[52] **U.S. Cl.** ..... **D19/72; D19/65; D8/49**

[58] **Field of Search** ..... D15/123, 128; D19/65, 72, 95, 99, 100; D8/49-51, 98, 105; 83/167, 166, 467.1, 559, 560, 582, 588, 613, 618, 633, 667, 669, 684; 30/358, 363

[56] **References Cited**

**U.S. PATENT DOCUMENTS**

D. 121,339	7/1940	Noll	.....	D8/49
D. 169,080	3/1953	Marano	.....	D19/72
D. 196,072	8/1963	Babel	.....	D8/49
D. 213,651	3/1969	Crotti	.....	D8/49

D. 240,074	5/1976	Smith	.....	D15/123
D. 286,735	11/1986	Ebihara	.....	D8/50
D. 352,433	11/1994	Smith	.....	D8/50
3,327,621	6/1967	Zysset	.....	D8/49 X

*Primary Examiner*—Martie K. Holtje  
*Attorney, Agent, or Firm*—Oliff & Berridge, PLC

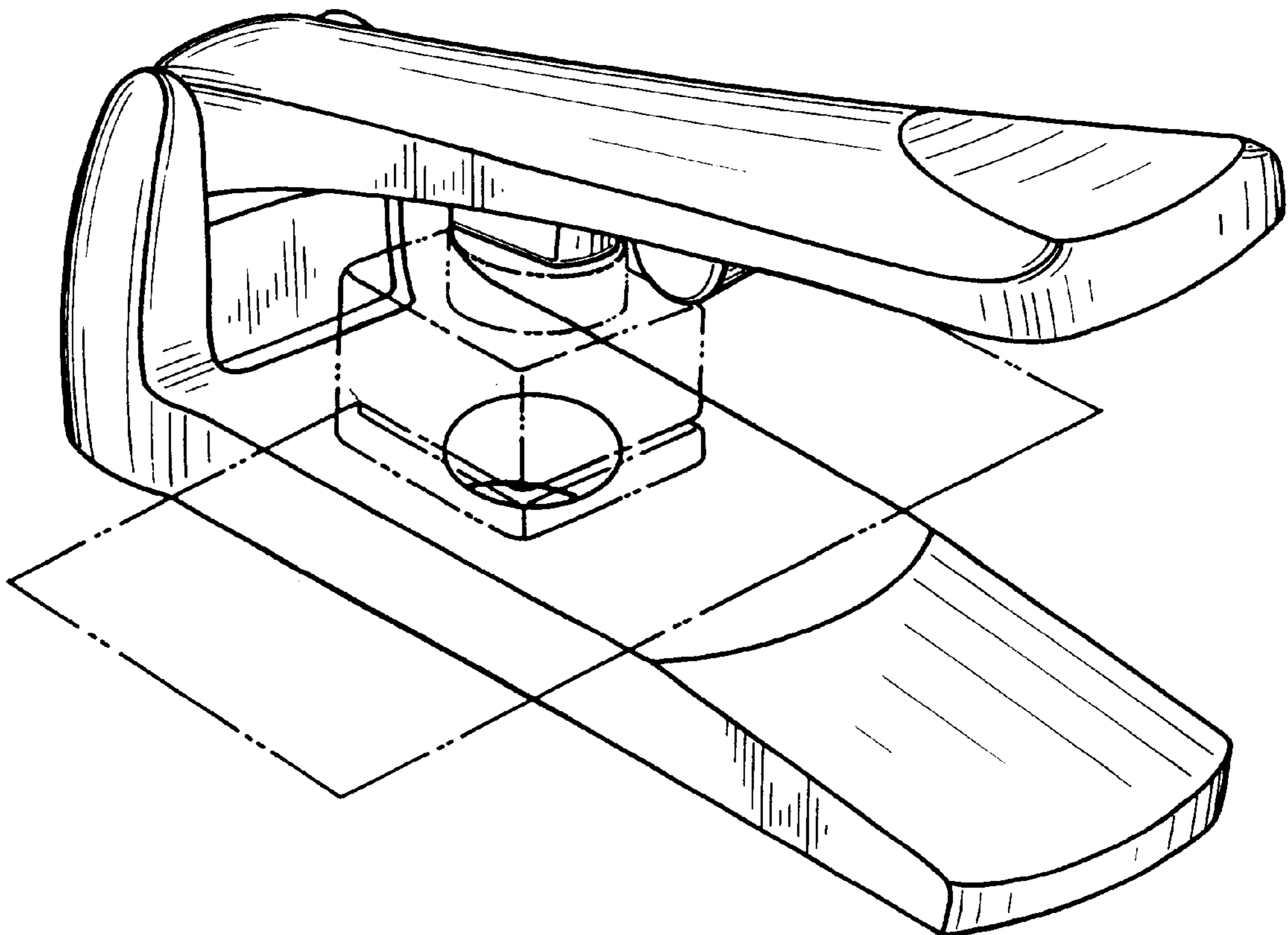
[57] **CLAIM**

The ornamental design for an auxiliary device for a punch, as shown and described.

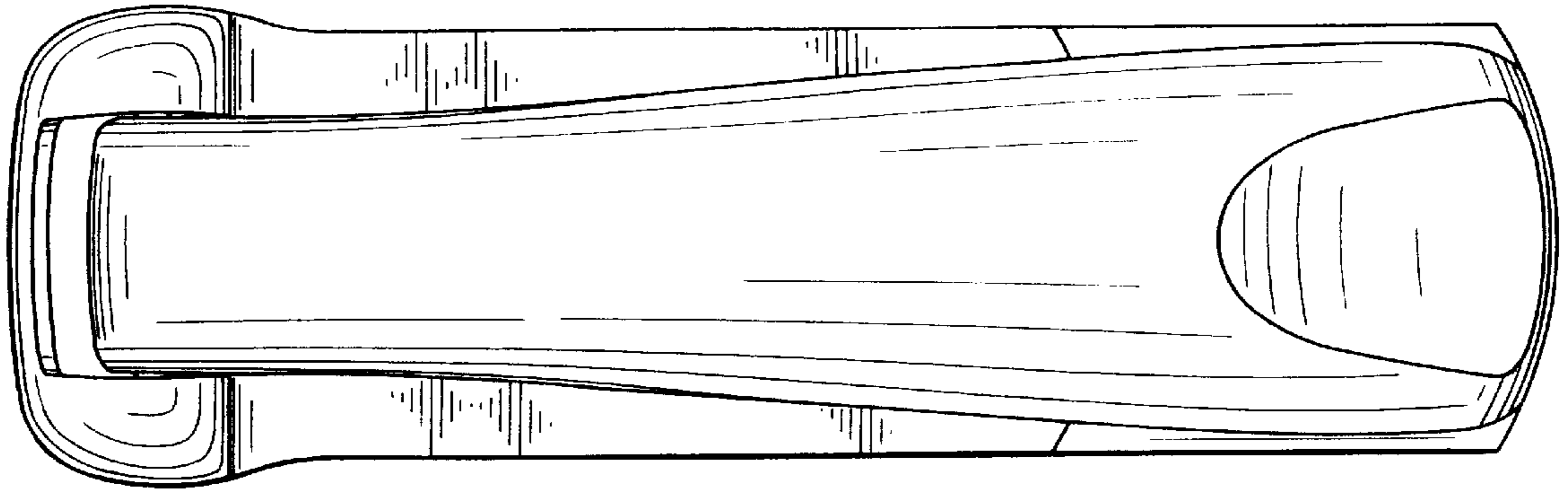
**DESCRIPTION**

FIG. 1 is a top plan view of auxiliary device for a punch embodying our new design;  
 FIG. 2 is a front elevational view thereof;  
 FIG. 3 is a left side elevational view thereof;  
 FIG. 4 is a right side elevational view thereof;  
 FIG. 5 is a bottom view thereof;  
 FIG. 6 is a perspective view with the pivoted arm in a raised position; and,  
 FIG. 7 is a perspective view with the pivoted arm in a lowered position.  
 The punch and sheet of paper depicted by means of broken lines in FIGS. 6 and 7 have been shown for illustrative purposes only and form no part of the claimed design.

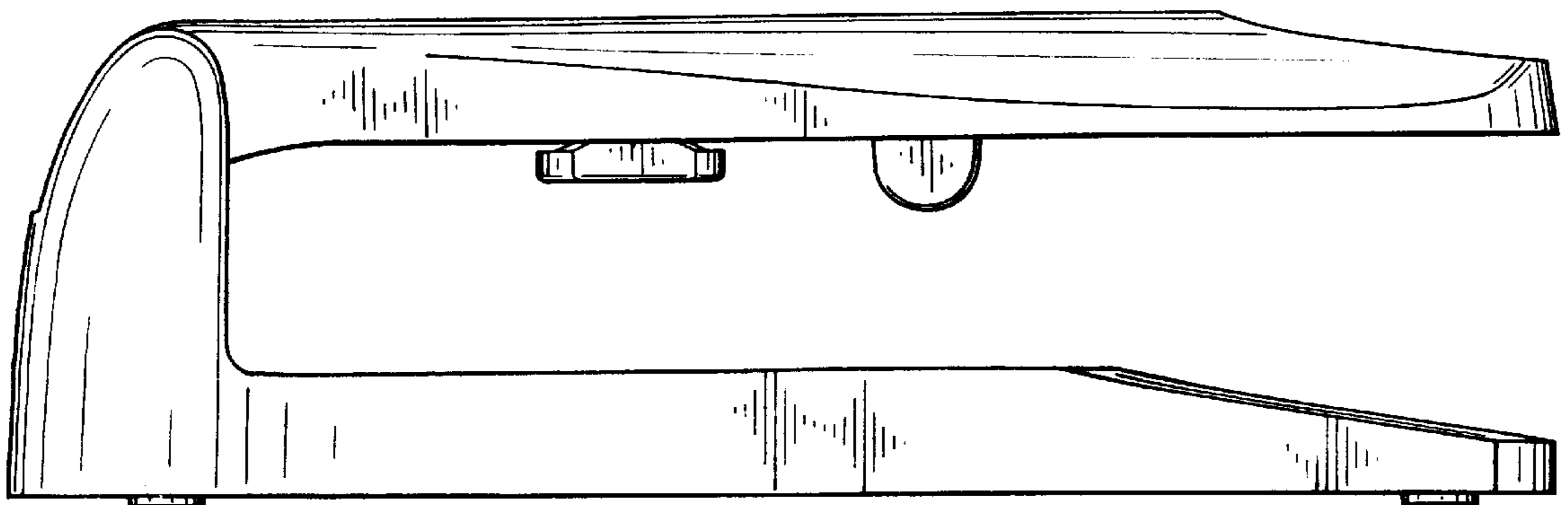
**1 Claim, 3 Drawing Sheets**



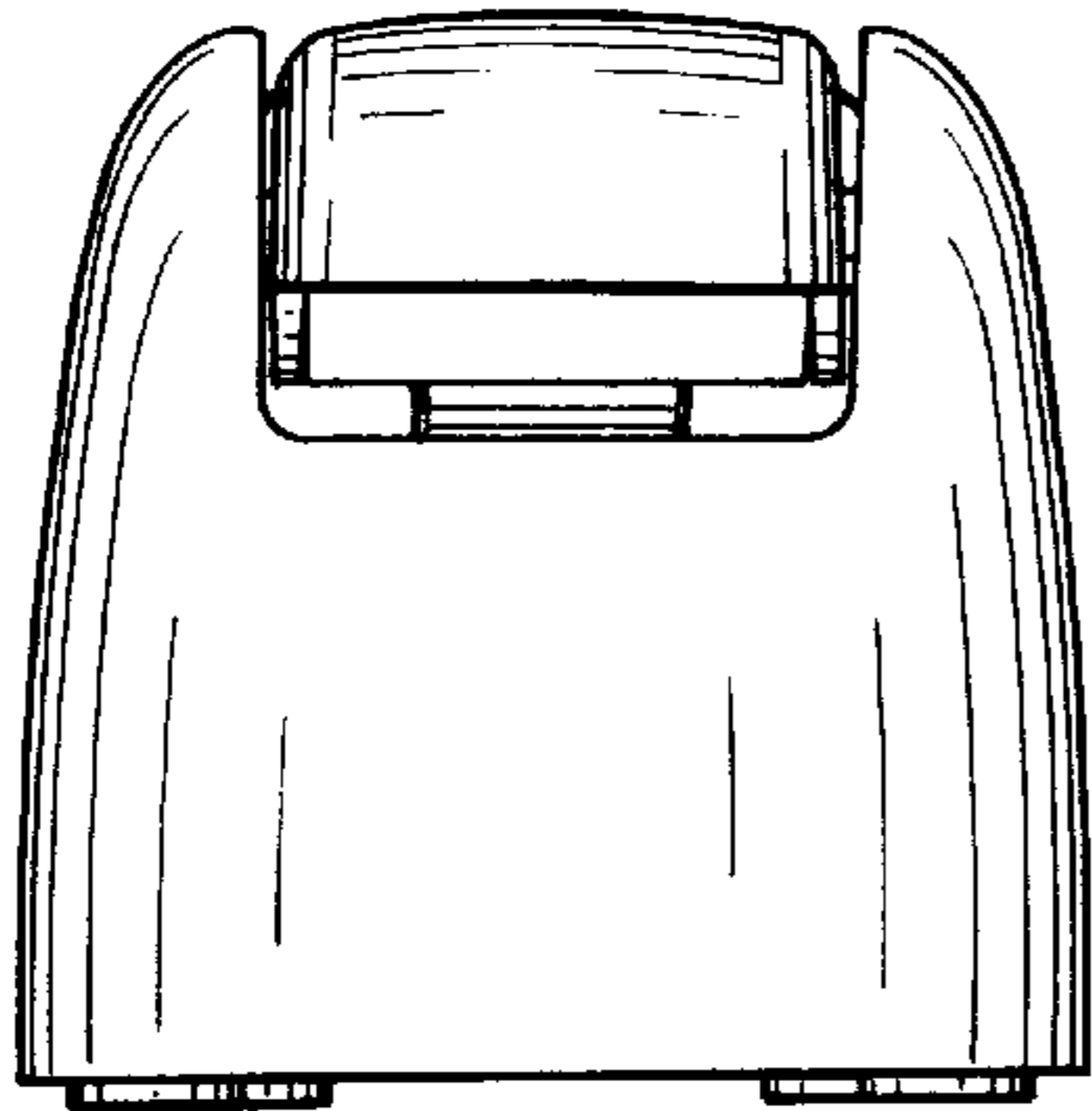
*FIG. 1*



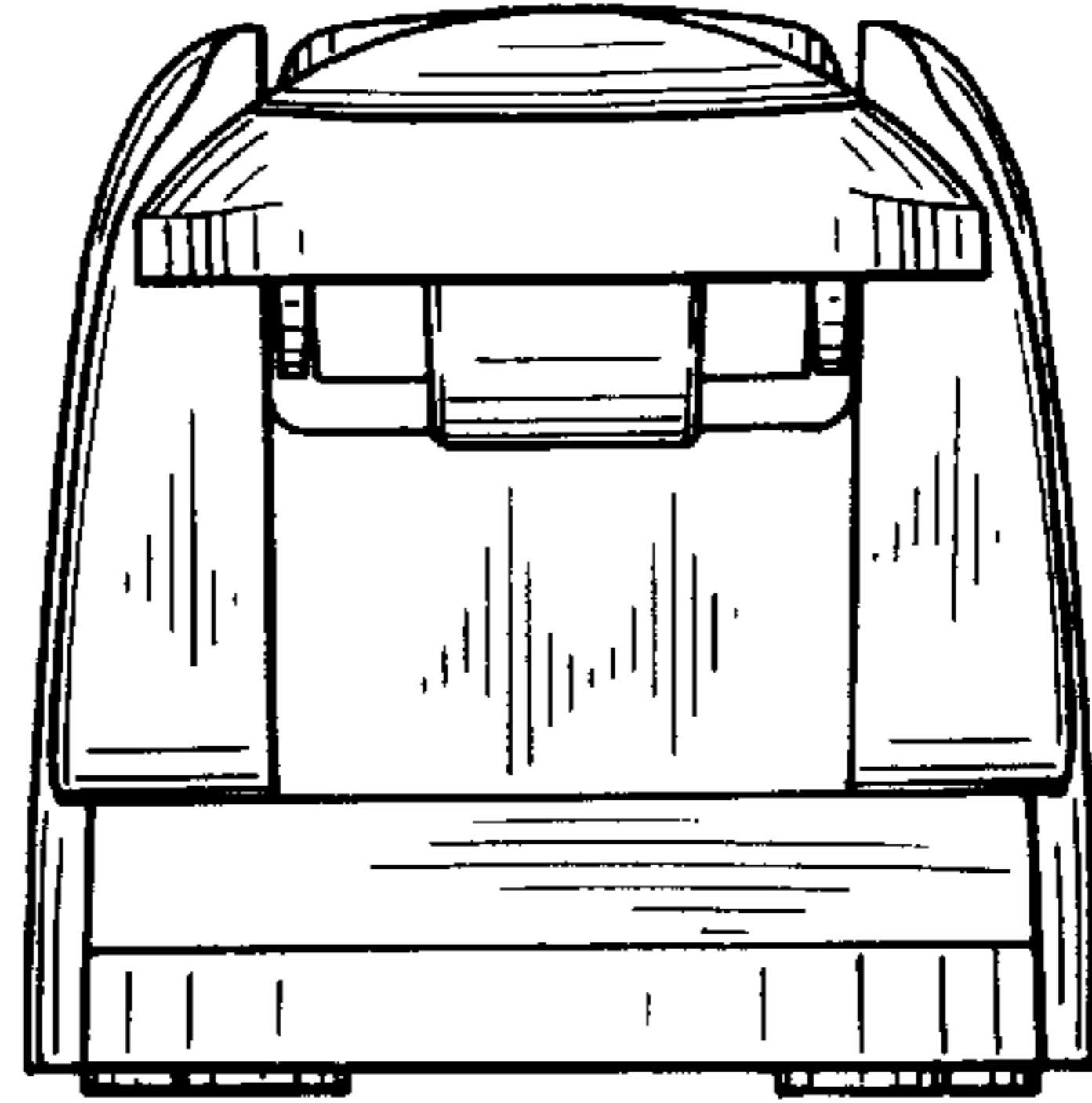
*FIG. 2*



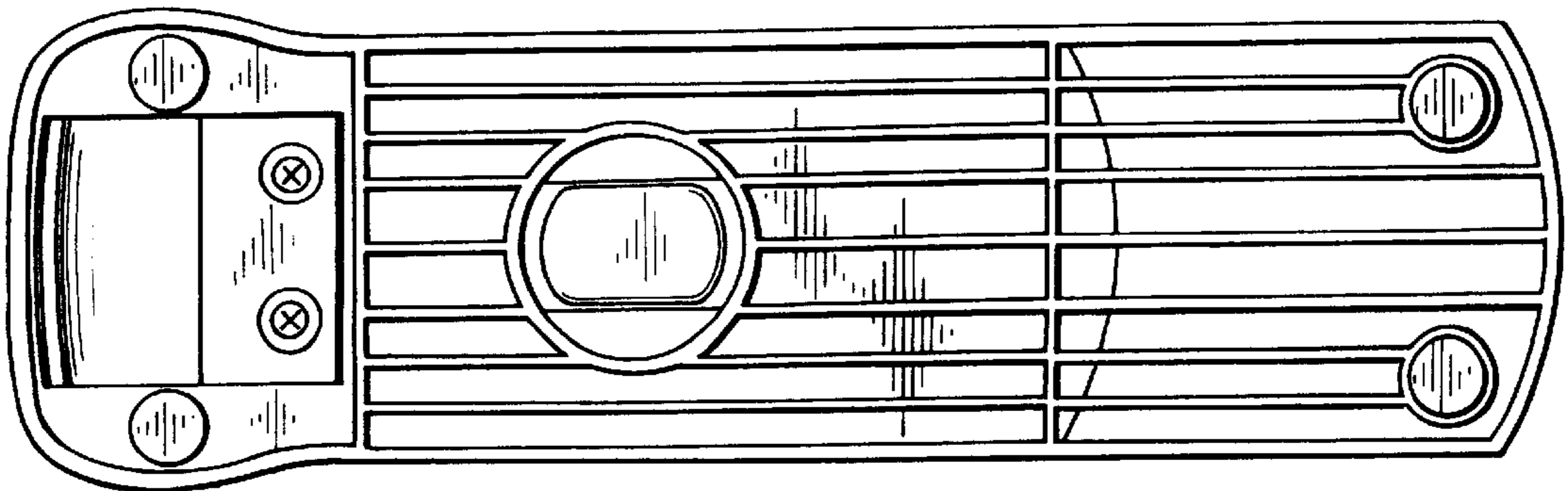
*FIG. 3*



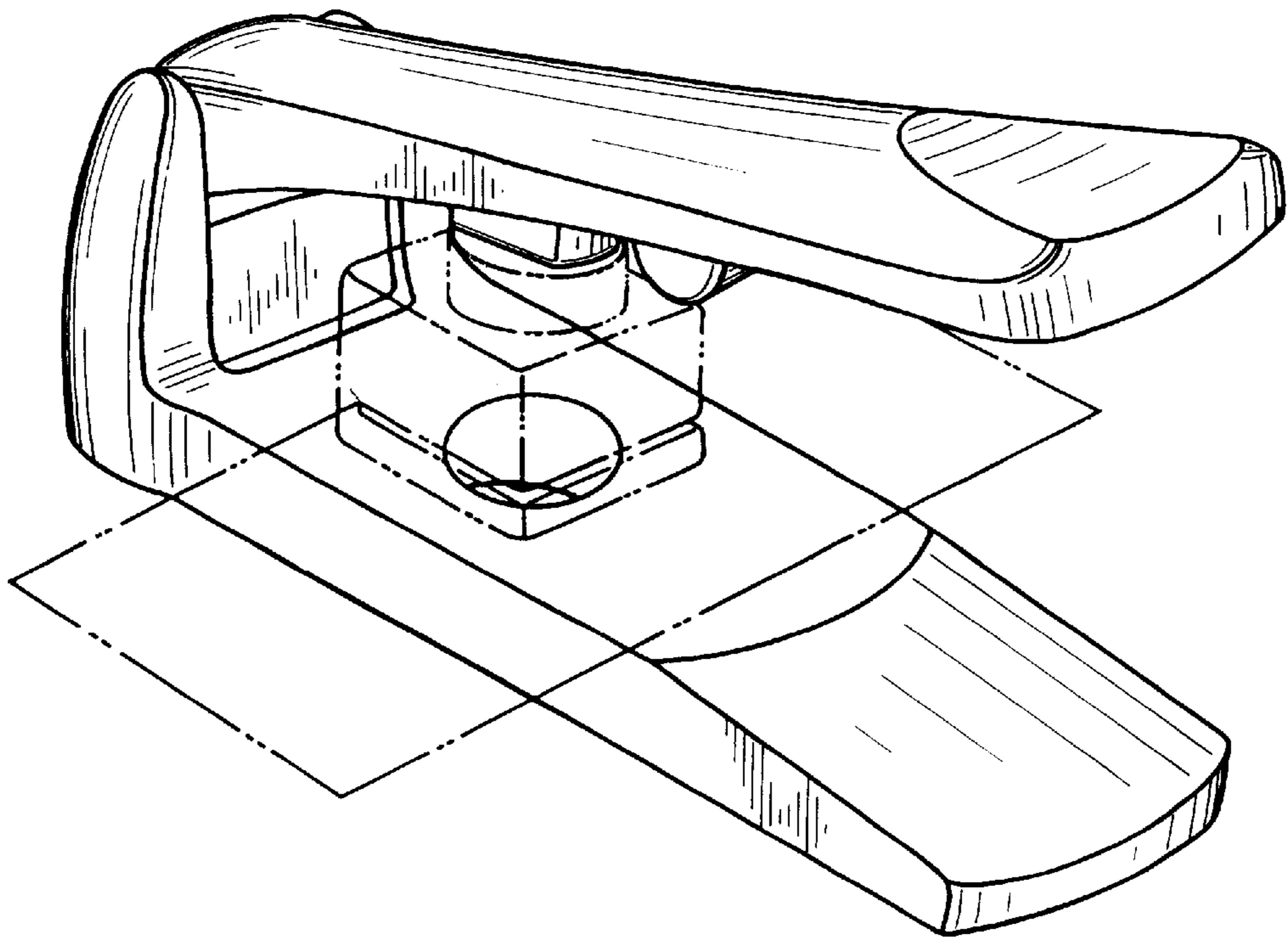
*FIG. 4*



*FIG. 5*



*FIG. 6*



*FIG. 7*

