



US00D434433S

# United States Patent [19] Hung

[11] **Patent Number: Des. 434,433**

[45] **Date of Patent: \*\* Nov. 28, 2000**

[54] **PAPER SHREDDER**

[75] Inventor: **Chi Min Hung**, Taipei, Taiwan

[73] Assignee: **Atico International USA, Inc.**, Ft. Lauderdale, Fla.

[\*\*] Term: **14 Years**

[21] Appl. No.: **29/117,885**

[22] Filed: **Feb. 1, 2000**

[51] **LOC (7) Cl. .... 18-34**

[52] **U.S. Cl. .... D18/34**

[58] **Field of Search** ..... D18/34, 99, 68, D18/72, 86, 100; D24/220; 241/236, 100, 169.1; D15/127, 128, 129, 141; 221/222; 156/908; 83/566, 571, 613, 633, 911; 412/7, 16, 33, 37-40, 43, 900

[56] **References Cited**

**U.S. PATENT DOCUMENTS**

D. 327,904 7/1992 Silver et al. .... D18/34

D. 370,689 6/1996 Harris ..... D18/34  
D. 375,973 11/1996 Kennedy et al. .... D18/34  
D. 404,756 1/1999 Dziarsk ..... D18/34  
D. 410,946 6/1999 Holderfield ..... D18/34

*Primary Examiner*—Louis S. Zarfaz  
*Assistant Examiner*—Inga-Maria Hyttinen  
*Attorney, Agent, or Firm*—Cobrin & Gittes

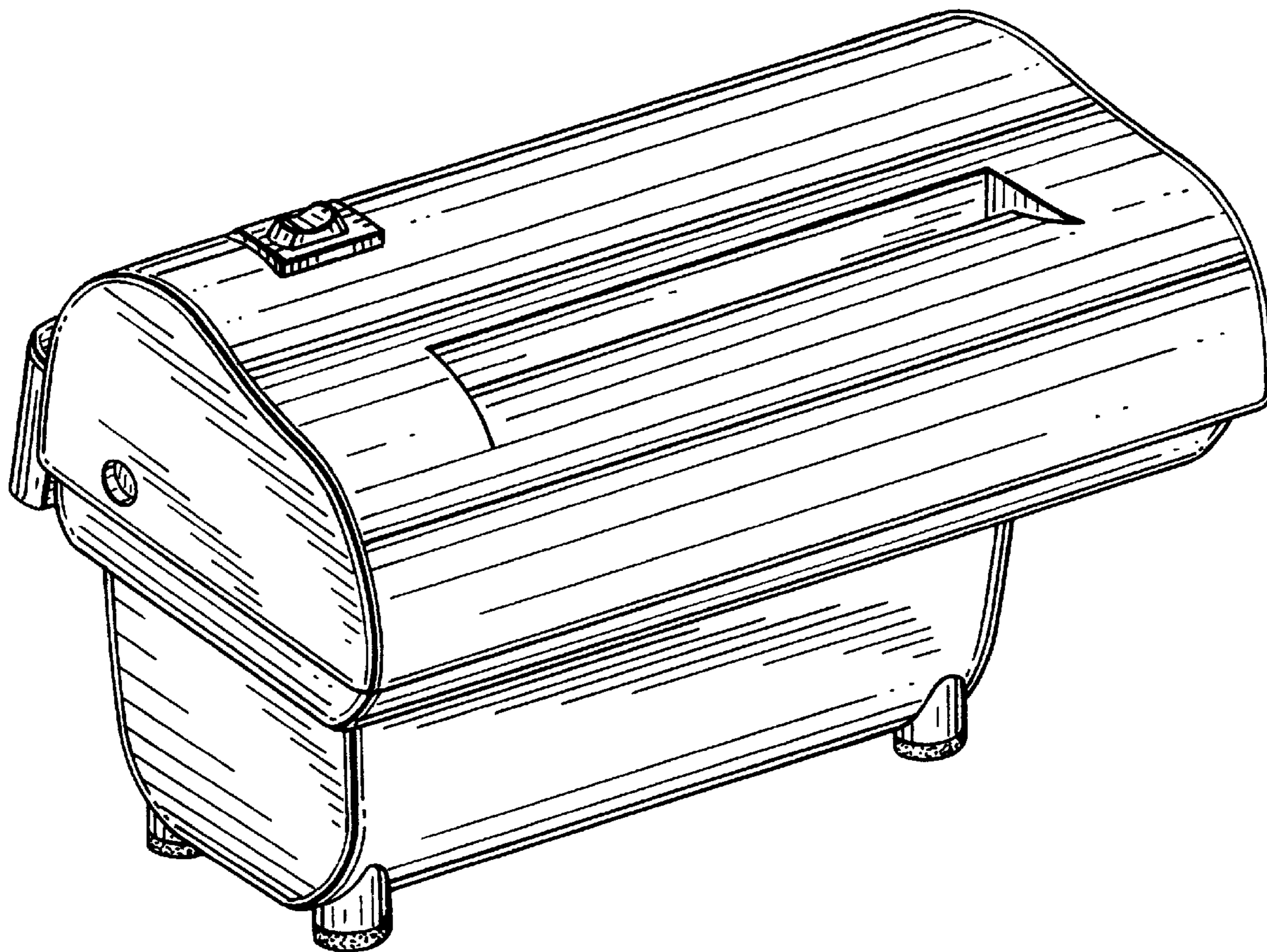
[57] **CLAIM**

The ornamental design for a paper shredder, as shown and described.

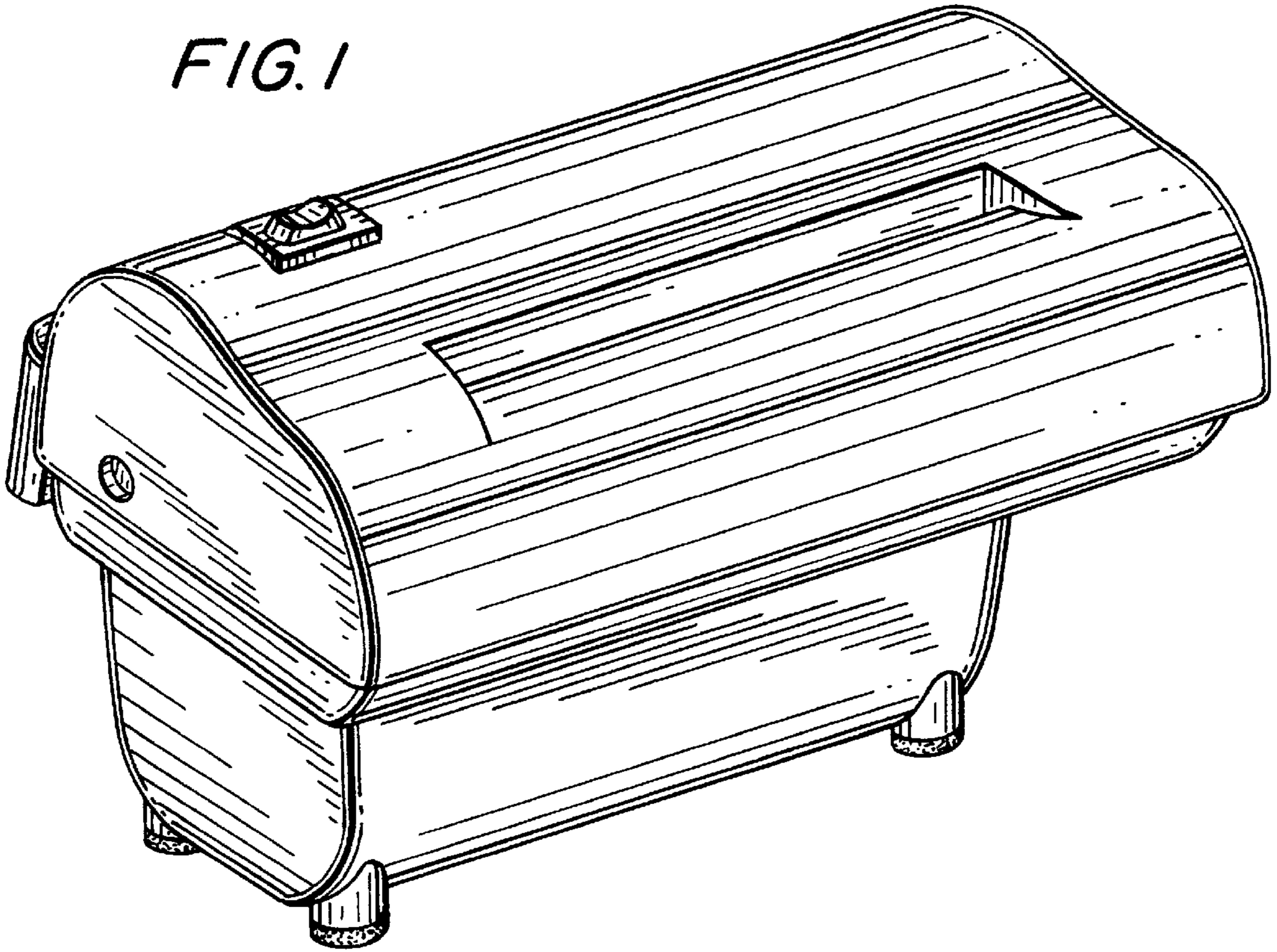
**DESCRIPTION**

FIG. 1 is a top perspective view of a paper shredder in accordance with the invention;  
FIG. 2 is a right side view thereof, it being understood that the opposite side is a mirror image thereof;  
FIG. 3 is a top plan view thereof;  
FIG. 4 is a front view thereof;  
FIG. 5 is a rear view thereof; and,  
FIG. 6 is a bottom plan view thereof.

**1 Claim, 3 Drawing Sheets**



*FIG. 1*



*FIG. 2*

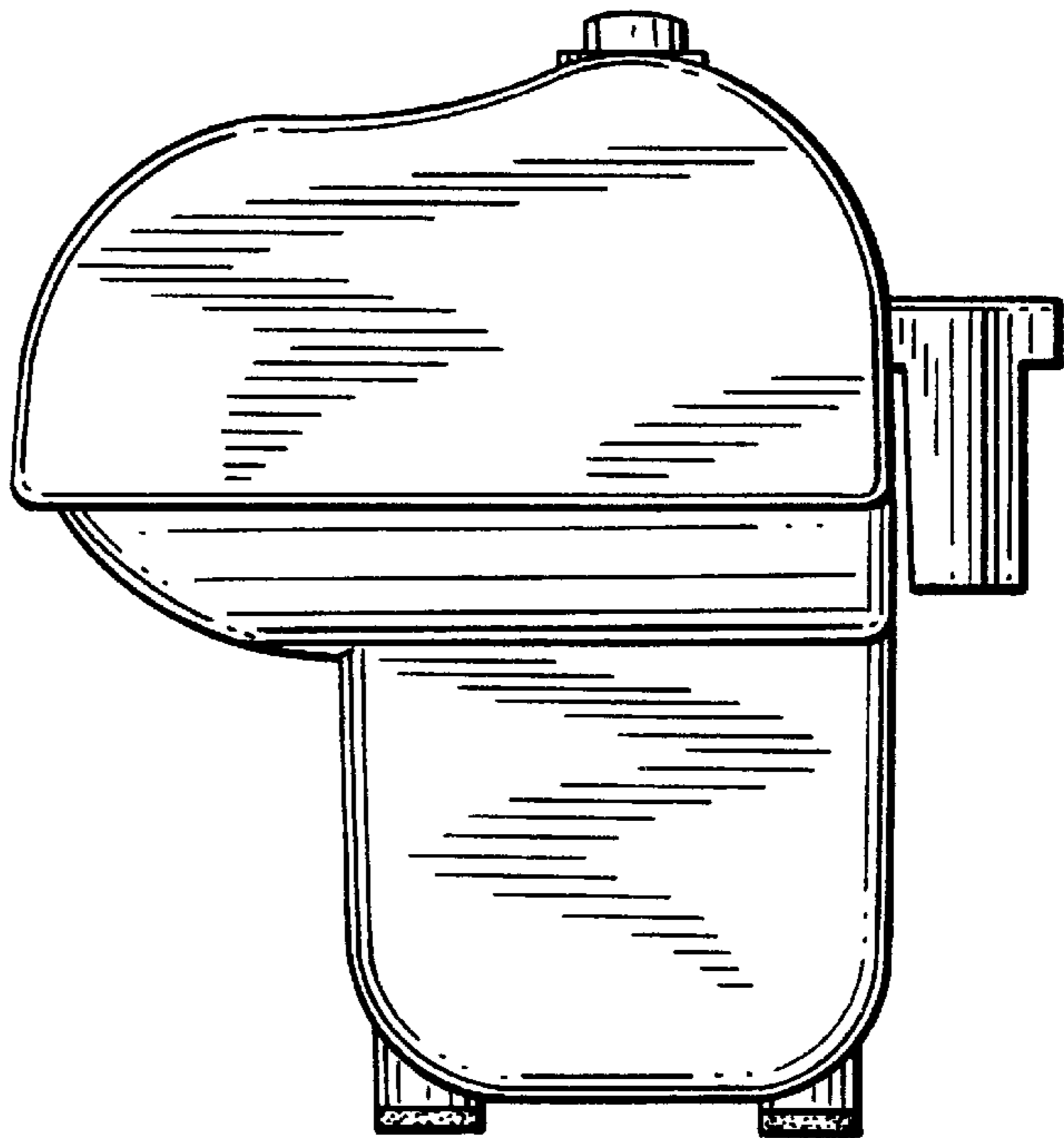


FIG. 3

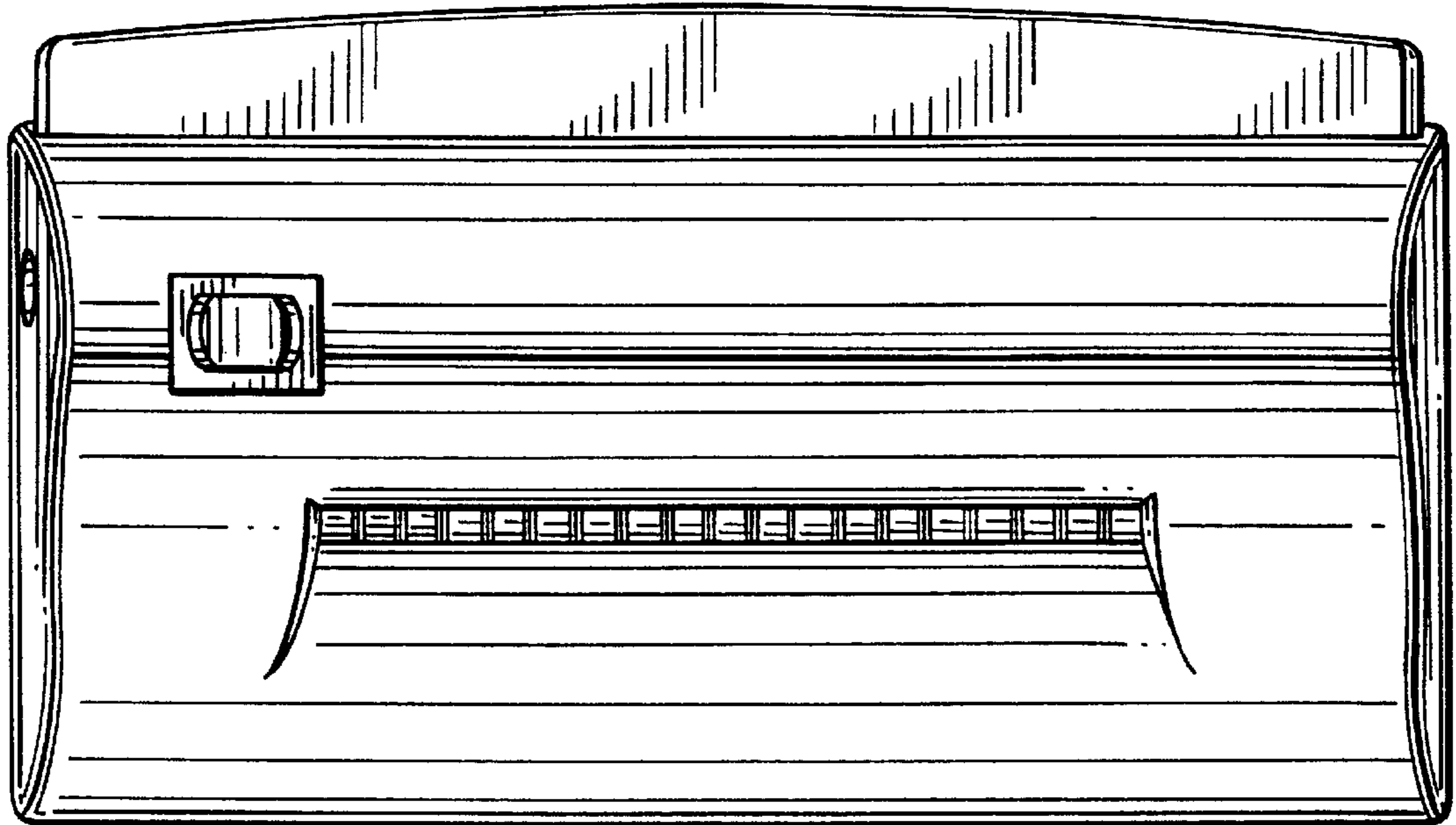


FIG. 4

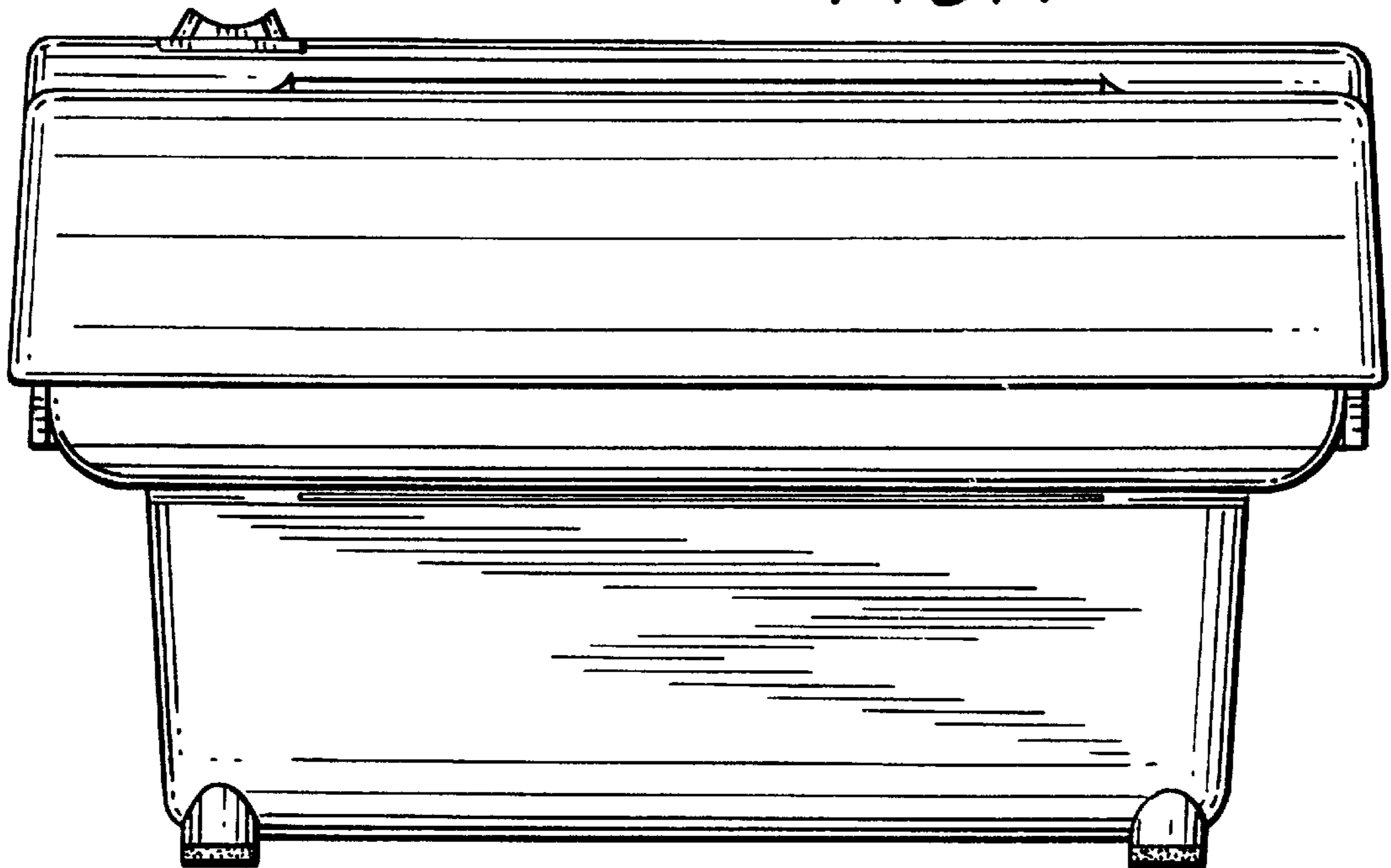


FIG. 5

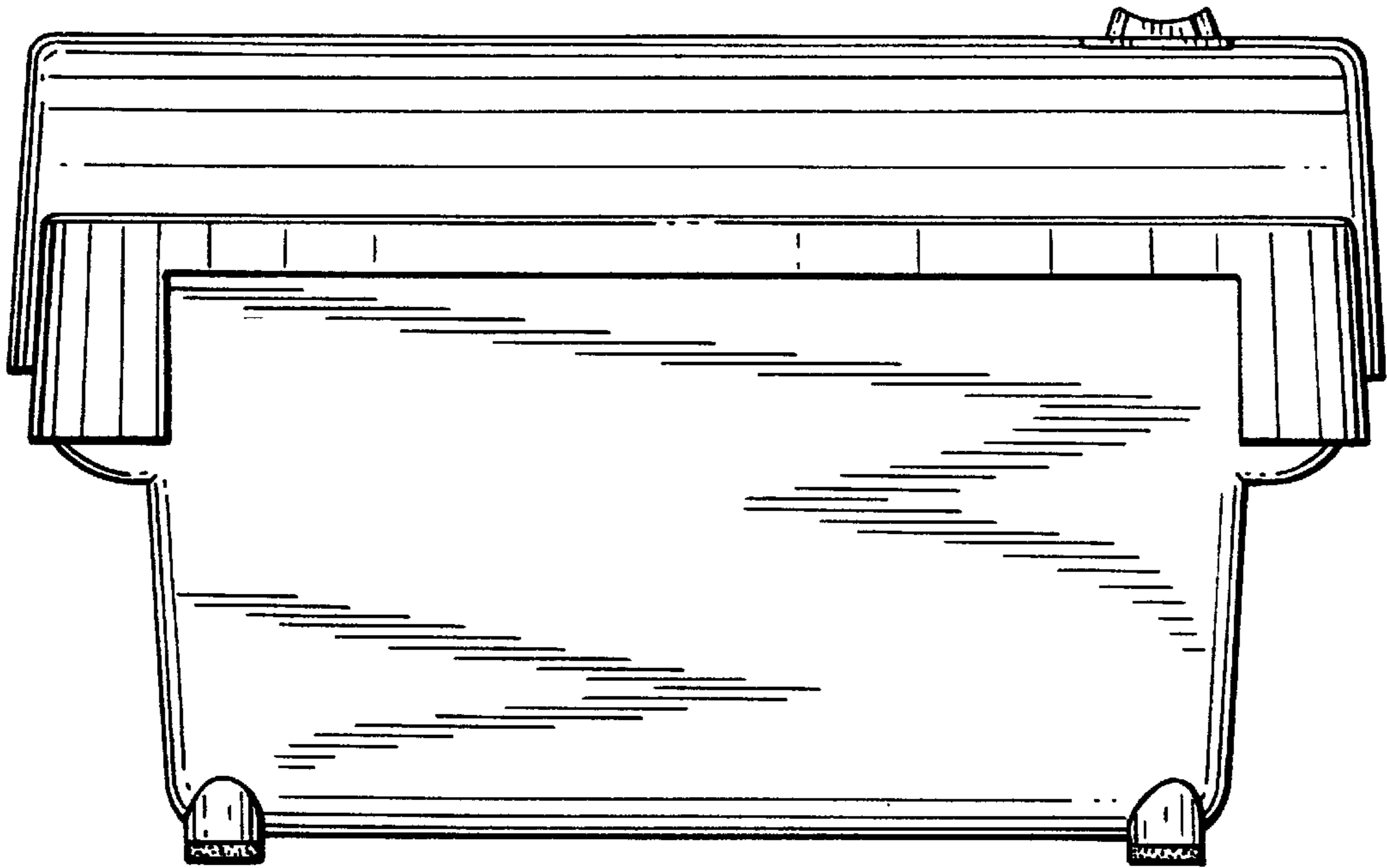


FIG. 6

