



US00D434431S

United States Patent [19]

Whitby et al.

[11] **Patent Number: Des. 434,431**

[45] **Date of Patent: ** Nov. 28, 2000**

[54] **BASE FOR A DIGITAL CAMERA**

[75] Inventors: **Laura R. Whitby; Jason M. Avery,**
both of Rochester, N.Y.

[73] Assignee: **Eastman Kodak Company,** Rochester,
N.Y.

[**] Term: **14 Years**

[21] Appl. No.: **29/118,476**

[22] Filed: **Feb. 9, 2000**

[51] **LOC (7) Cl. 16-05**

[52] **U.S. Cl. D16/242**

[58] **Field of Search** D16/202, 237,
D16/242, 243; 248/127, 178.1, 183.4, 346.01;
352/243; 396/419, 421, 427, 428

[56] **References Cited**

U.S. PATENT DOCUMENTS

D. 152,540	2/1949	Heward	D16/242
D. 214,703	7/1969	Kiven	D16/242
D. 367,488	2/1996	Takano et al.	D16/202
D. 389,166	1/1998	Swayze et al.	D16/242
D. 405,815	2/1999	Takizawa	D16/242
5,224,675	7/1993	Ellenberger et al.	248/183.4

Primary Examiner—Adir Aronovich
Attorney, Agent, or Firm—Pamela R. Crocker

[57] **CLAIM**

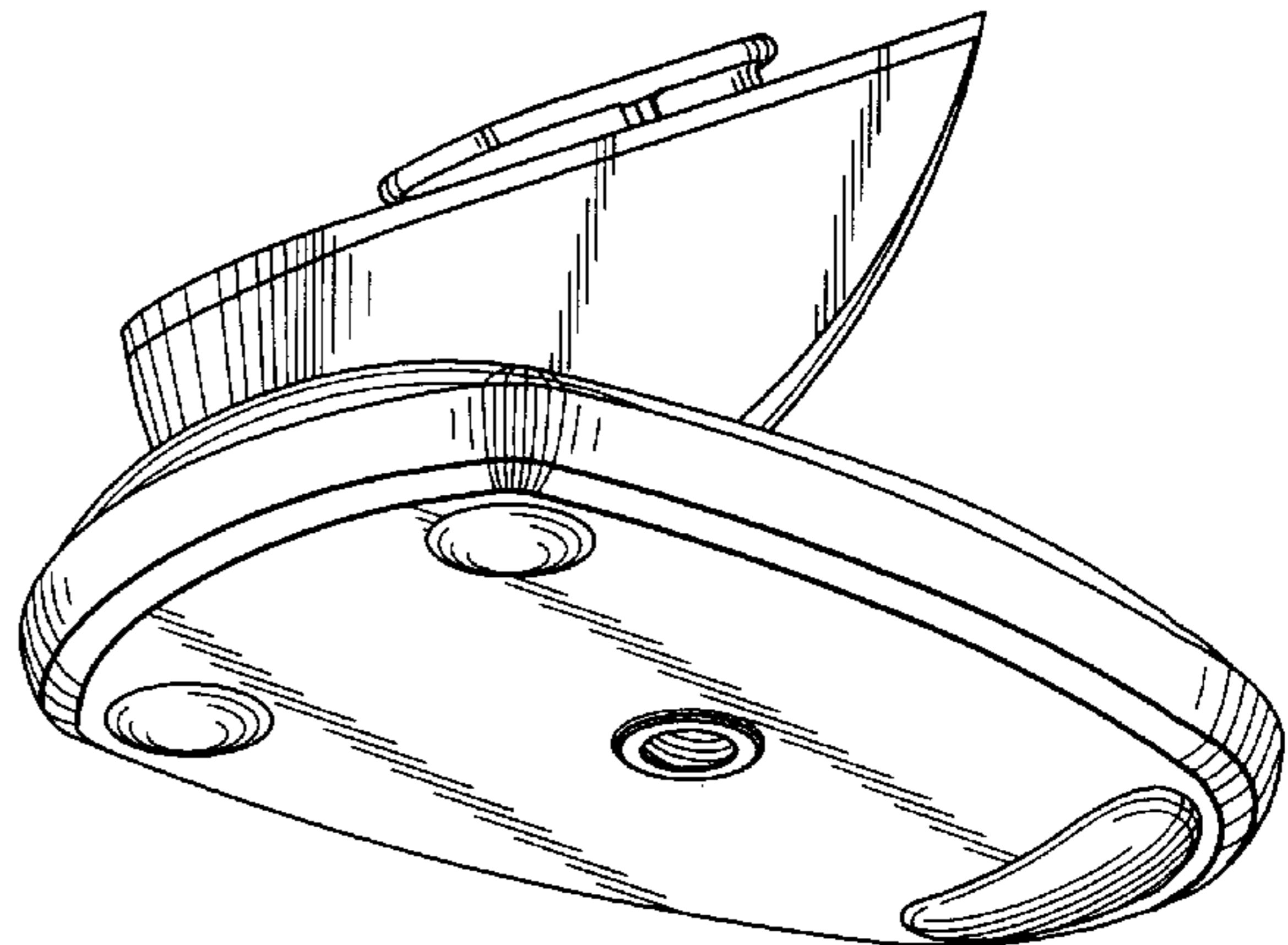
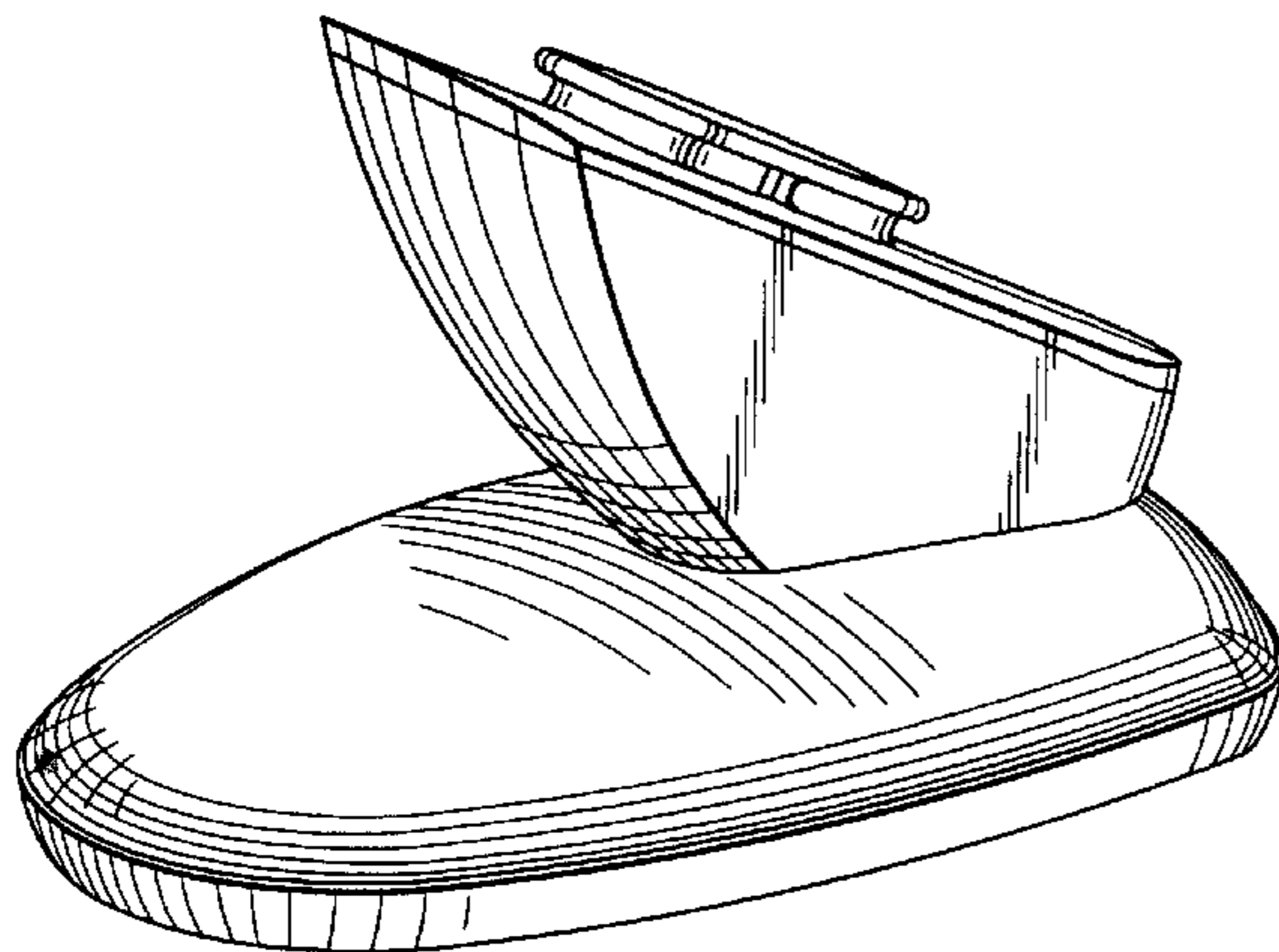
We claim the ornamental design for a base for a digital camera, as shown and described.

DESCRIPTION

FIG. 1 is a front, top, right-side perspective view of a base for a digital camera according to the present invention; FIG. 2 is a back, bottom, left-side perspective view thereof; FIG. 3 is a front view thereof; FIG. 4 is a rear view thereof; FIG. 5 is a top view thereof; FIG. 6 is a bottom view thereof; FIG. 7 is a right-side view thereof; FIG. 8 is a left-side view thereof; FIG. 9 is a front, top, right-side perspective view thereof, showing a digital camera in broken lines; and, FIG. 10 is a back, bottom, left-side perspective view thereof, showing a digital camera in broken lines.

The broken line showing of the digital camera in FIGS. 9 and 10 is for illustrative purposes only and forms no part of the claimed design.

1 Claim, 6 Drawing Sheets



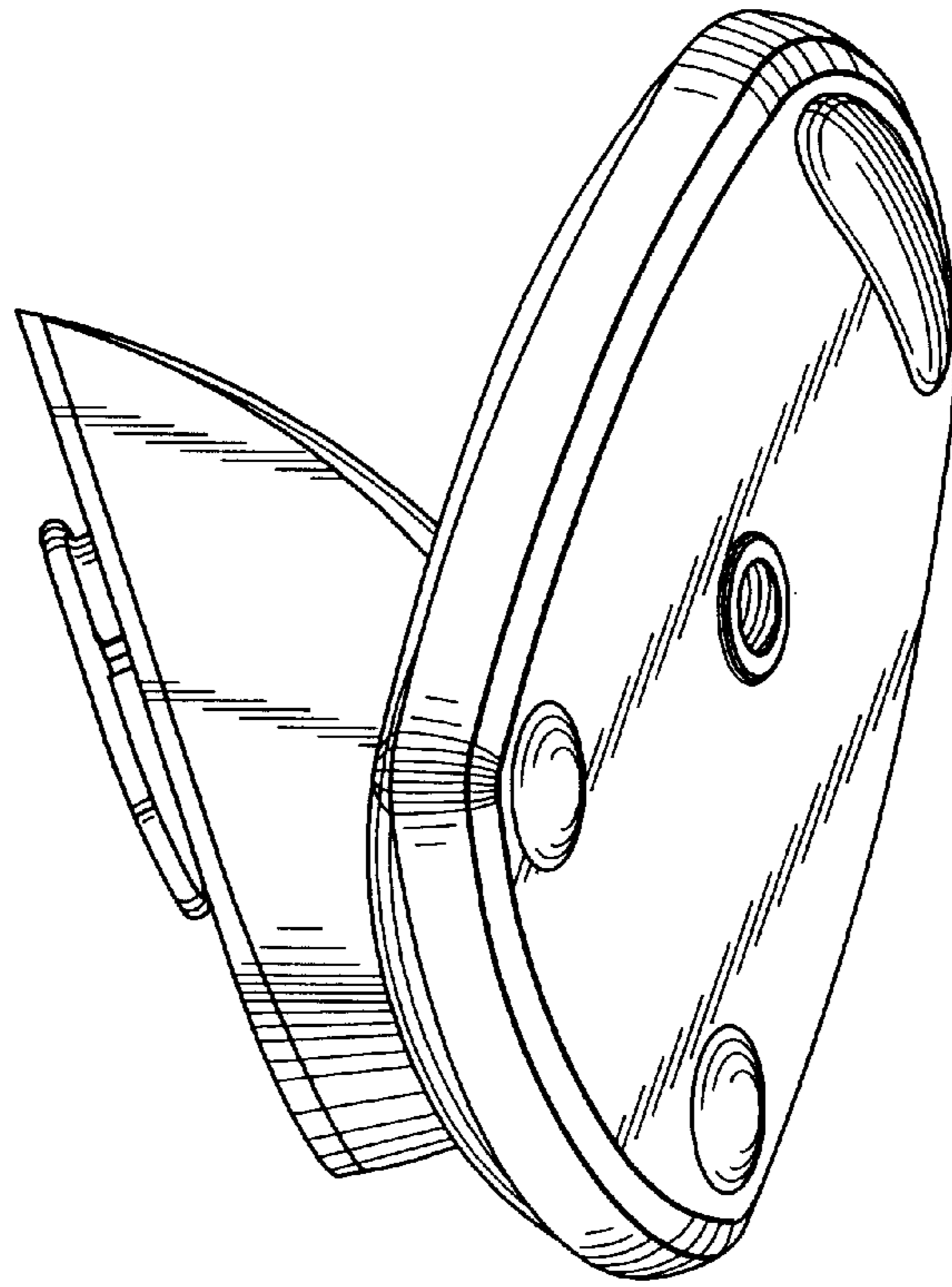


FIG. 2

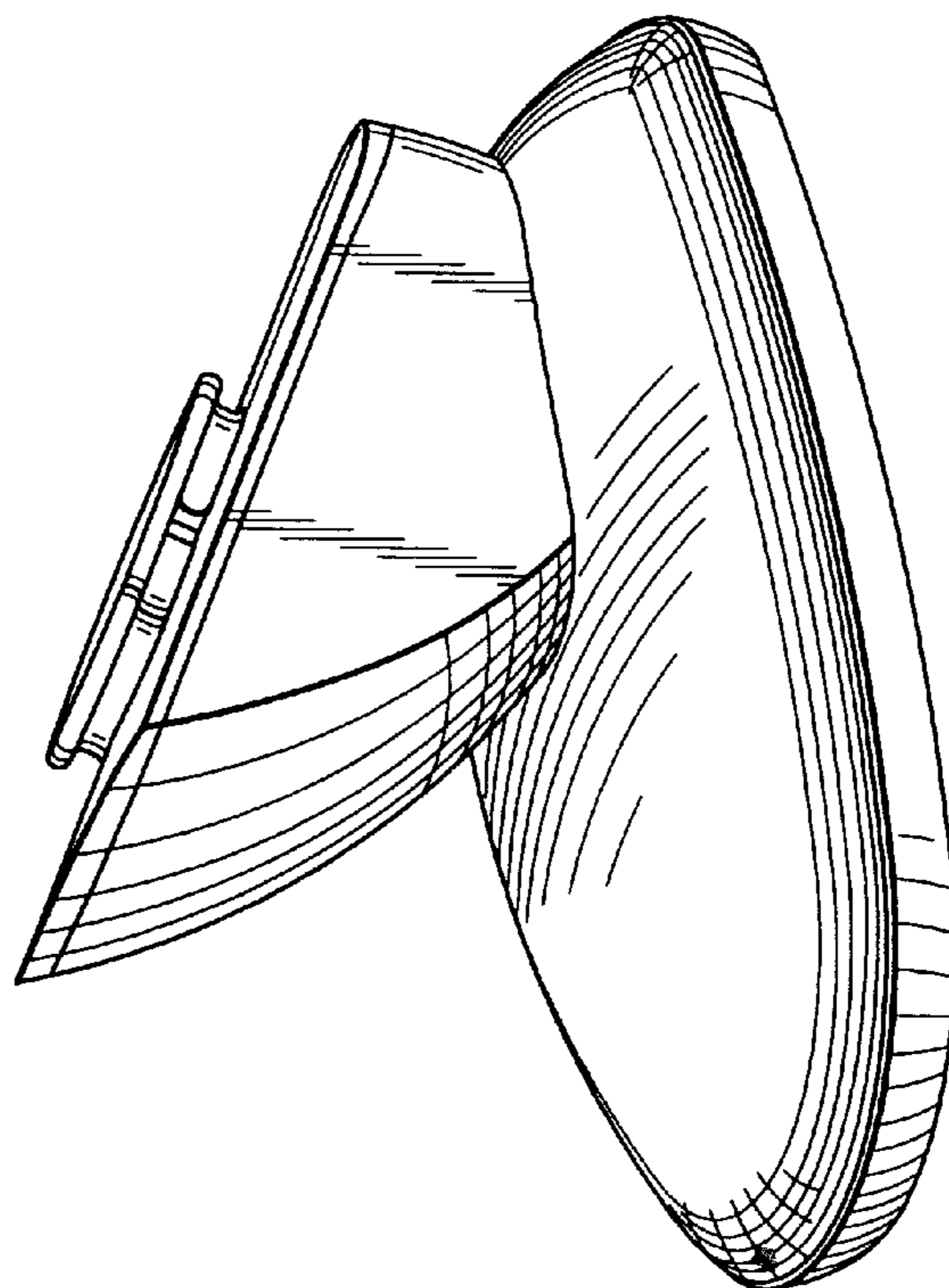


FIG. 1

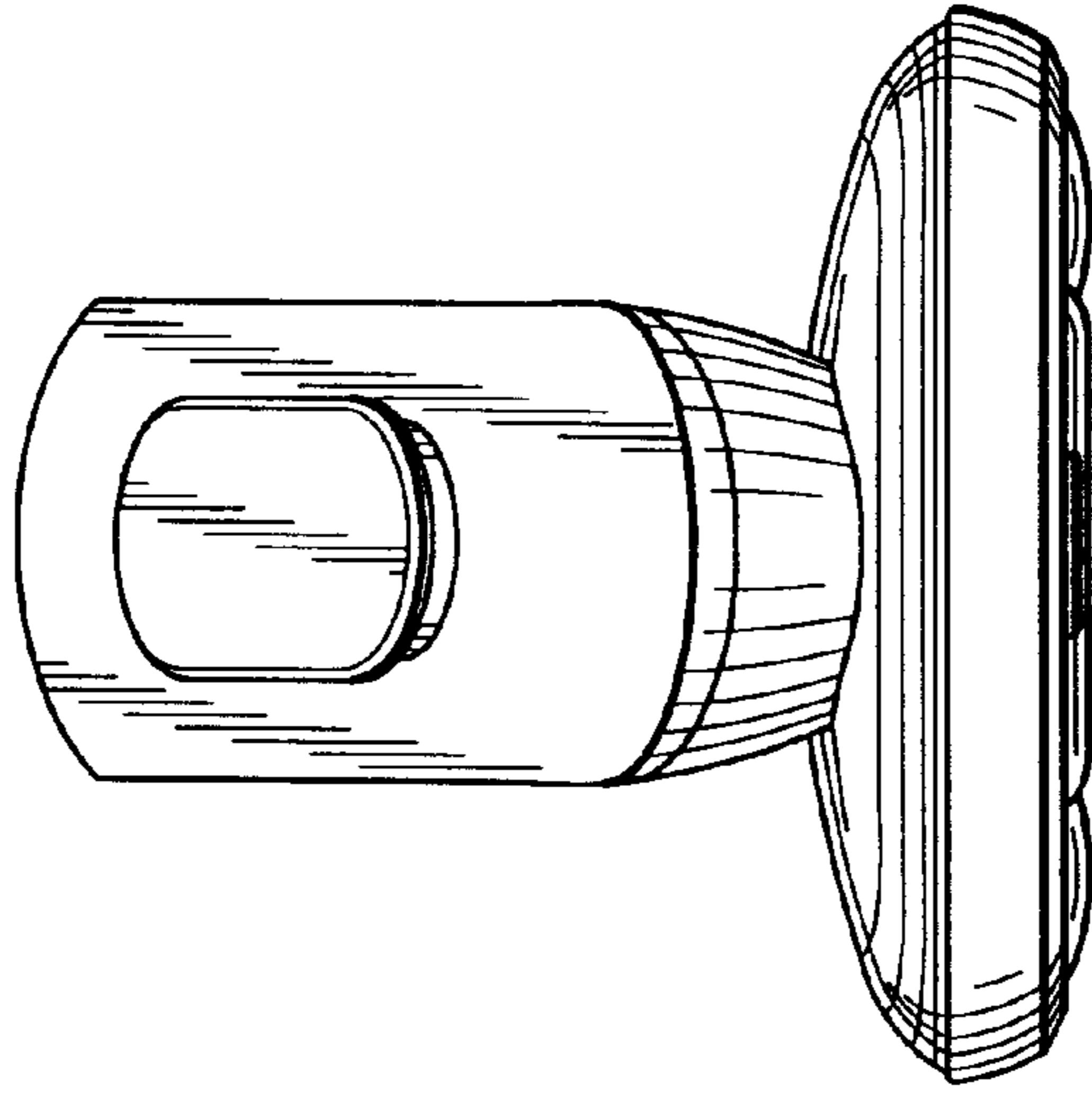


FIG. 4

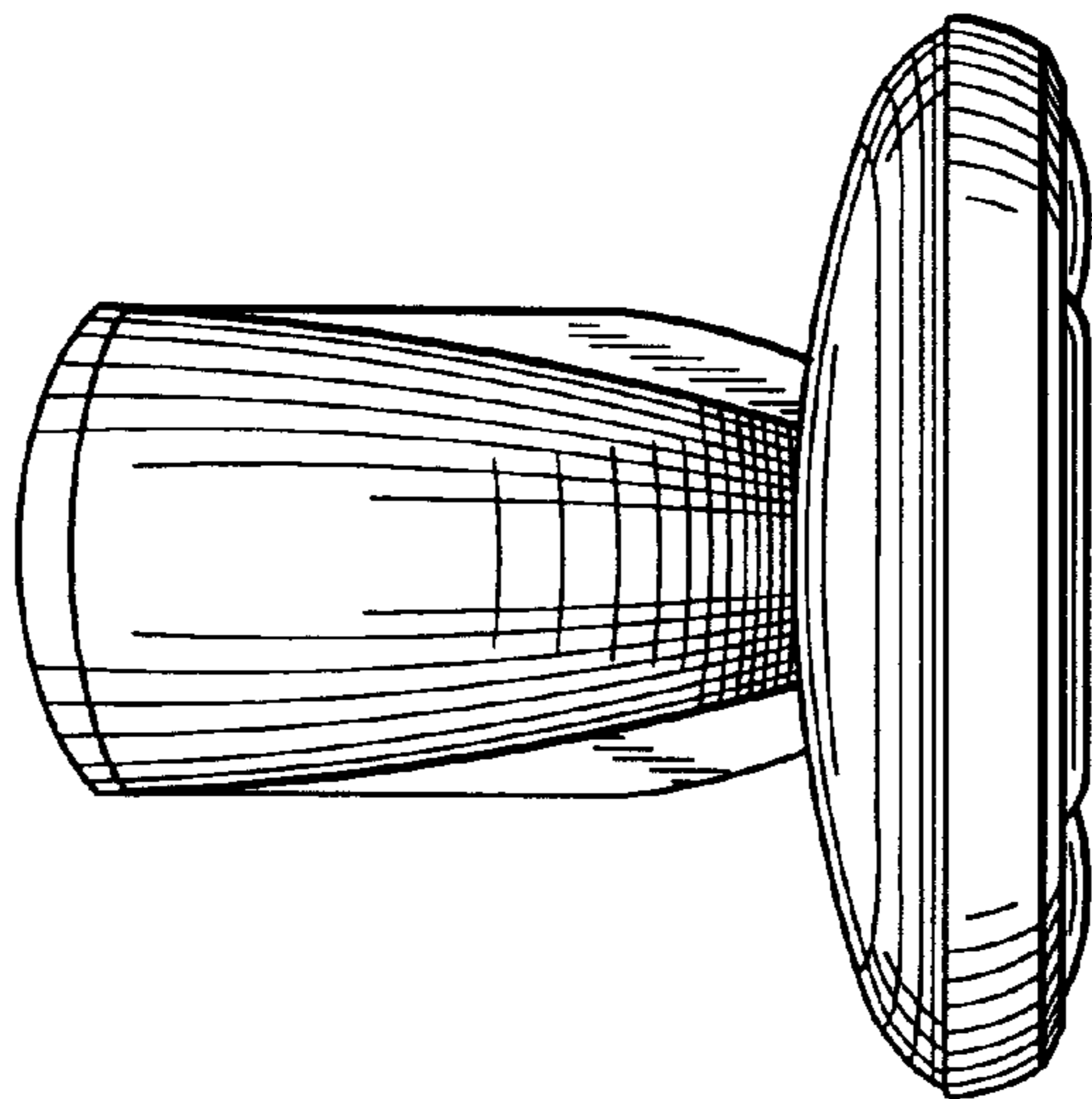


FIG. 3

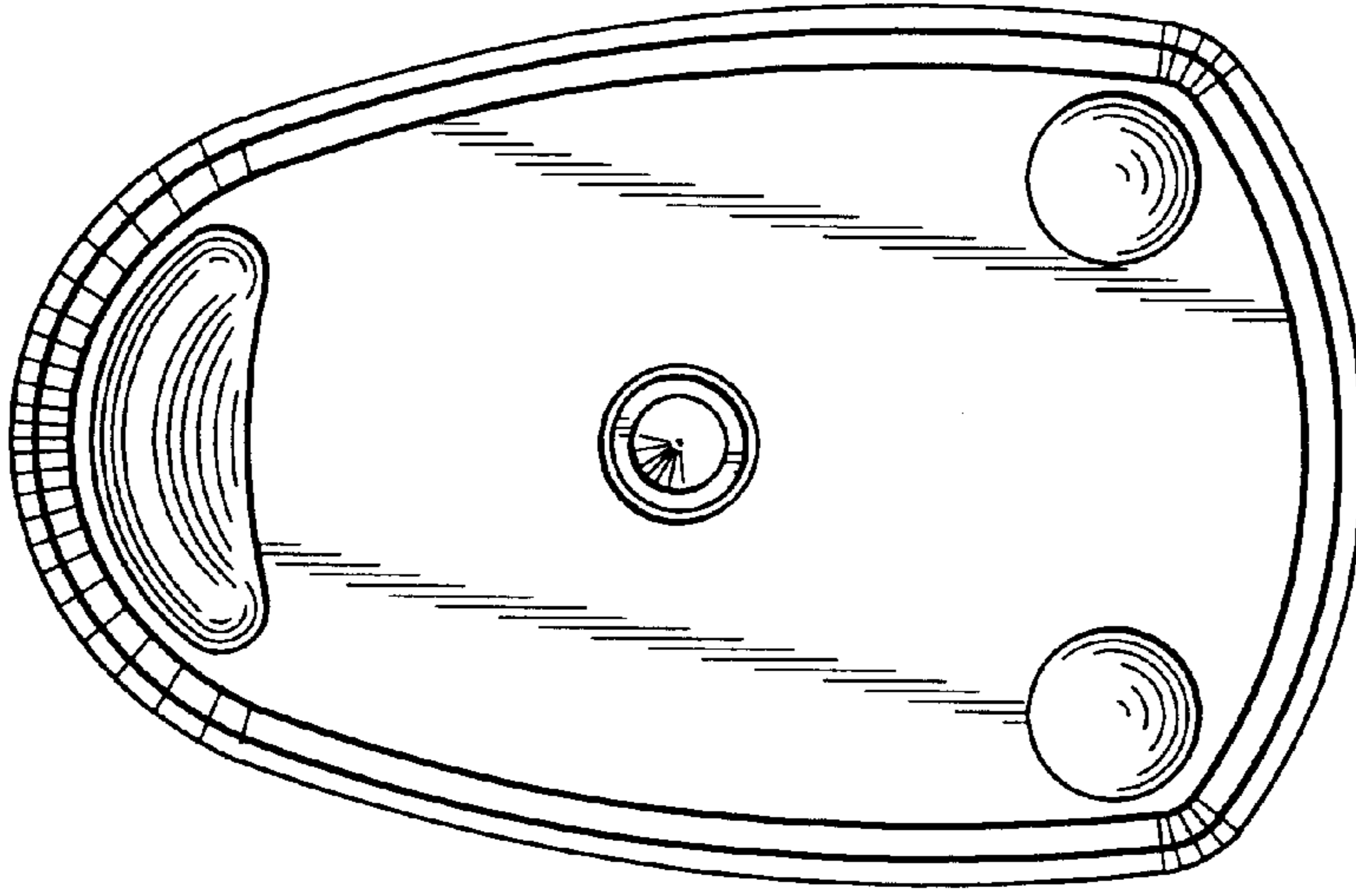


FIG. 5

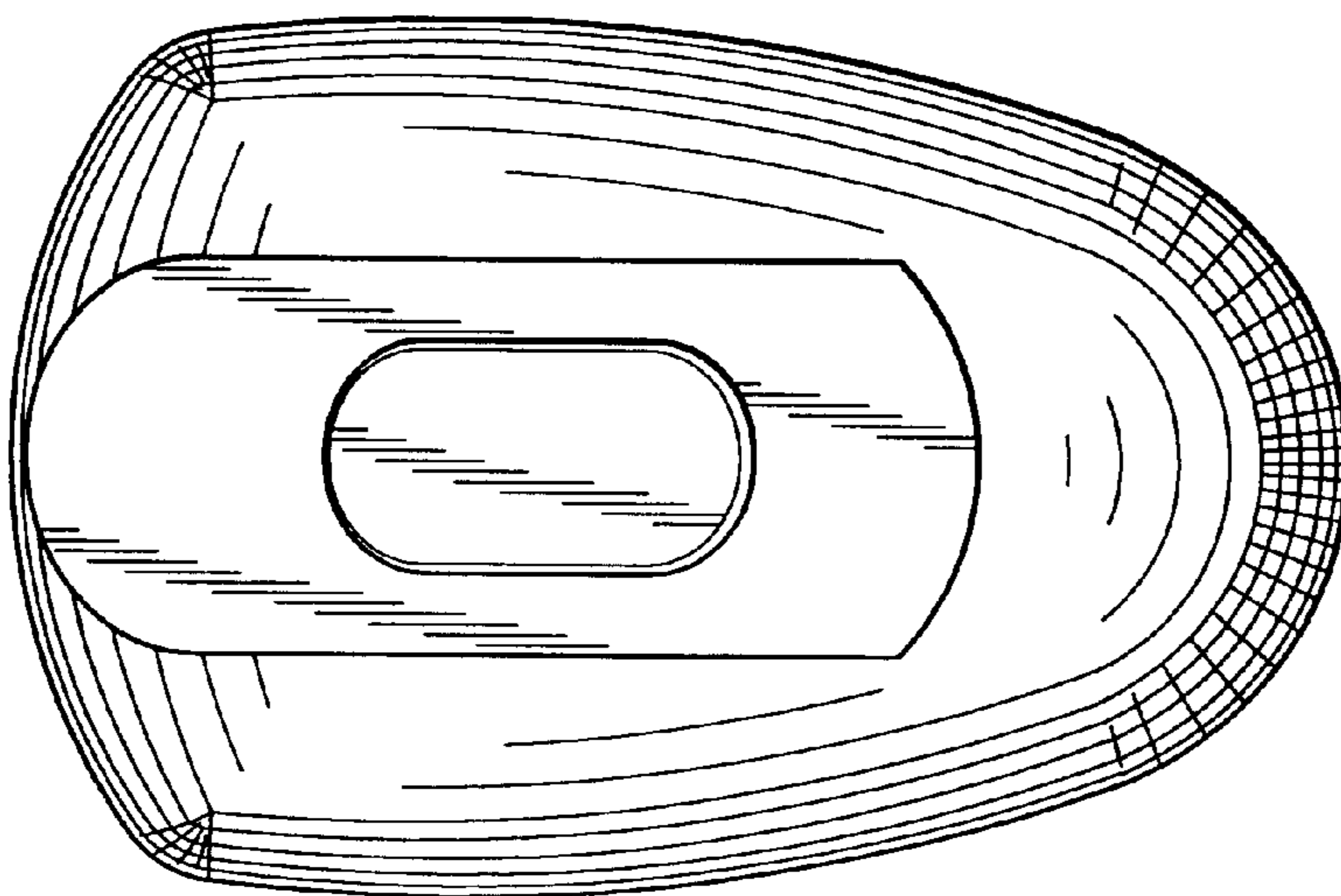


FIG. 6

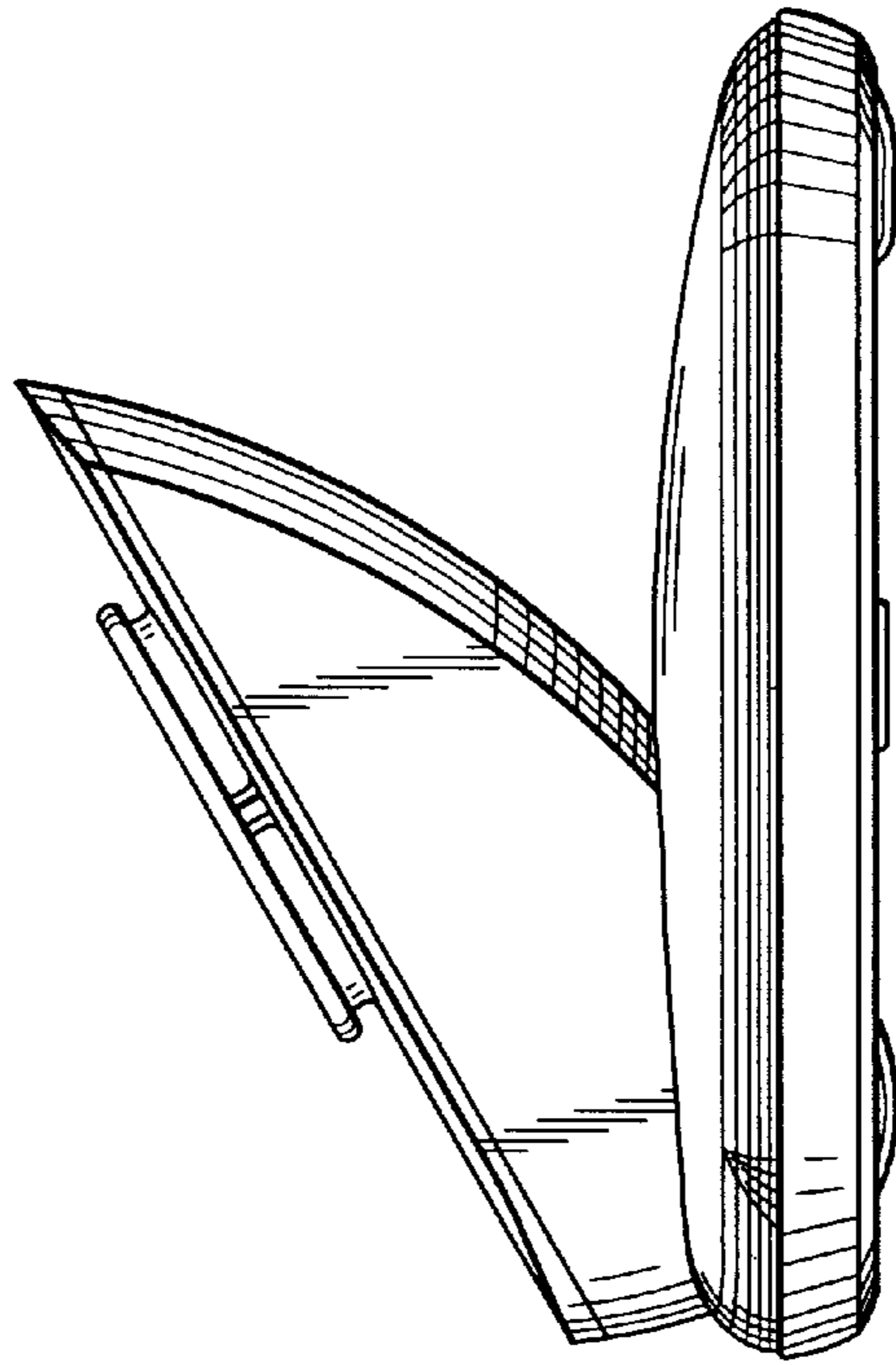


FIG. 8

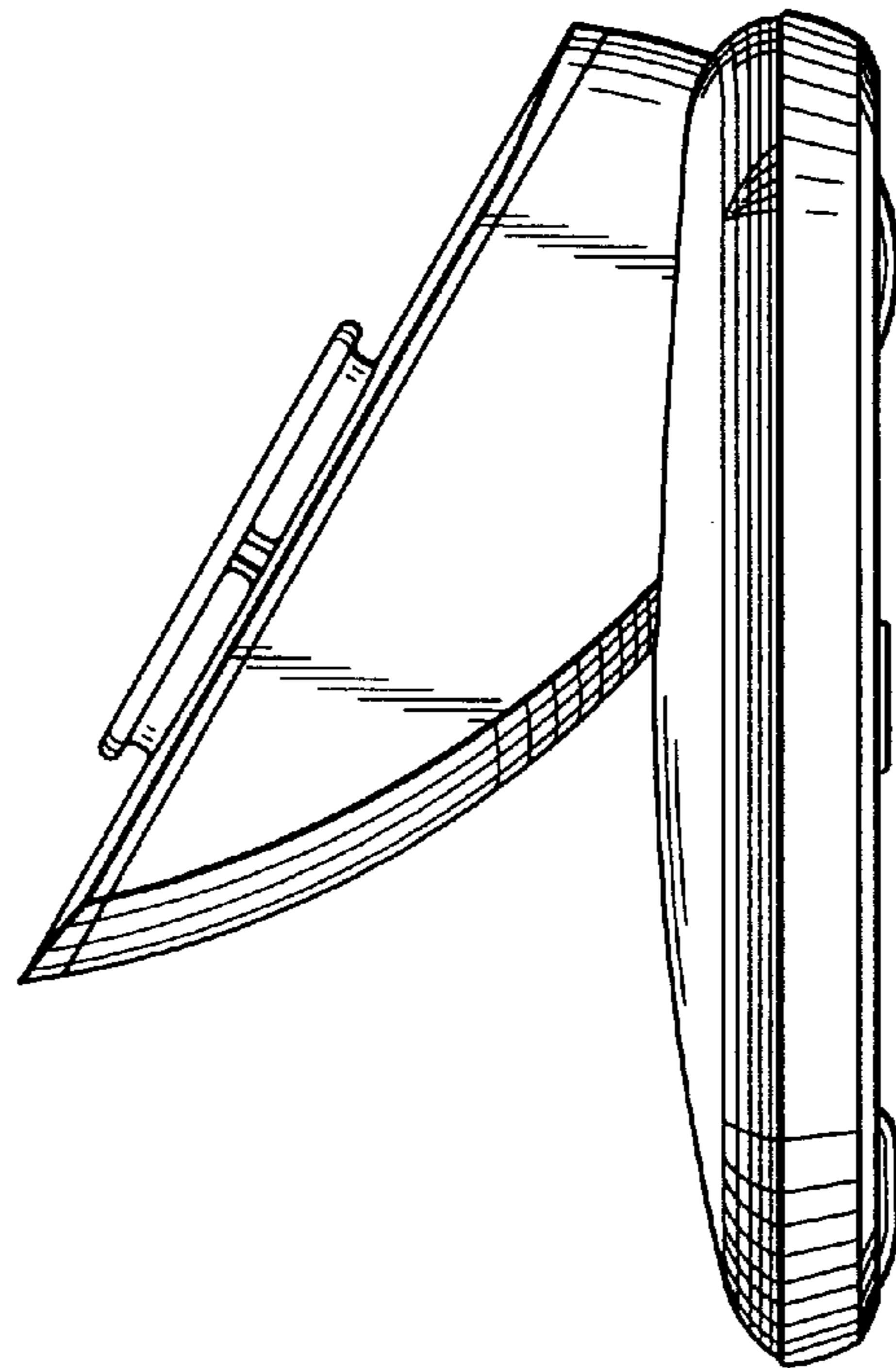


FIG. 7

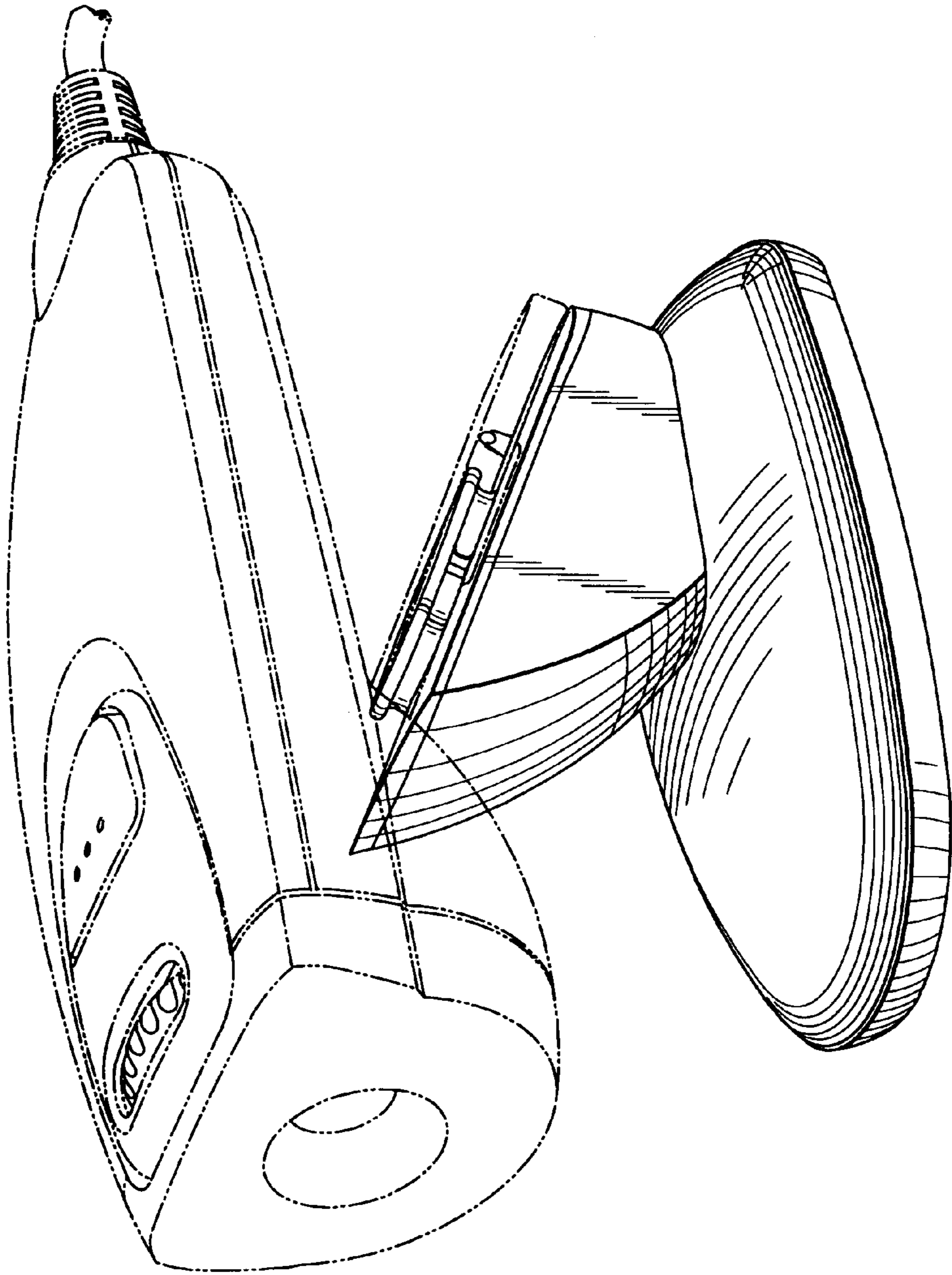


FIG. 9

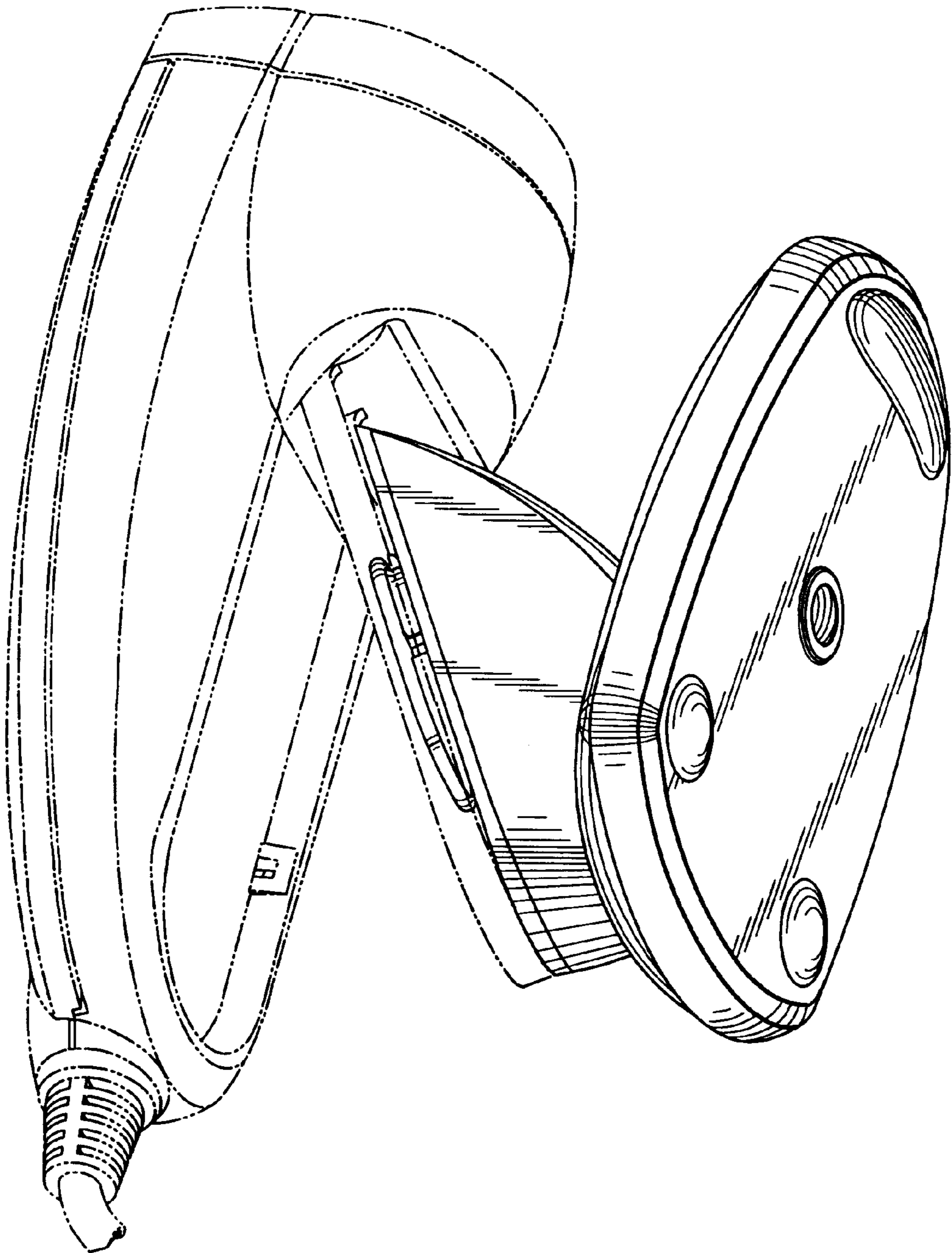


FIG. 10