



US00D434430S

# United States Patent [19]

Saeki et al.

[11] Patent Number: Des. 434,430

[45] Date of Patent: \*\* Nov. 28, 2000

[54] VIDEO PROJECTOR

[75] Inventors: Taisuke Saeki; Harumi Sakamoto; Kohichi Iida, all of Tochigi-ken, Japan

[73] Assignee: Sharp Kabushiki Kaisha, Osaka, Japan

[\*\*] Term: 14 Years

[21] Appl. No.: 29/114,936

[22] Filed: Dec. 3, 1999

### [30] Foreign Application Priority Data

Jun. 3, 1999 [JP] Japan ..... 11-14631

[51] LOC (7) Cl. .... 16-02

[52] U.S. Cl. .... D16/231; D16/225

[58] Field of Search ..... D16/200-205, D16/221, 225, 230, 231, 234; 353/115, 119, 122

### [56] References Cited

#### U.S. PATENT DOCUMENTS

- D. 343,850 2/1994 Saeki et al. .... D16/234
- D. 356,103 3/1995 Saeki et al. .... D16/221
- D. 364,416 11/1995 Saeki et al. .... D16/231
- D. 365,587 12/1995 Saeki et al. .... D16/234
- D. 387,795 12/1997 Sakamoto ..... D16/231
- D. 388,111 12/1997 Iida ..... D16/231
- D. 391,592 3/1998 Sakamoto et al. .... D16/231

- D. 398,321 9/1998 Iida ..... D16/230
- D. 398,622 9/1998 Saeki et al. .... D16/231
- D. 412,926 8/1999 Saeki et al. .... D16/231
- D. 419,172 1/2000 Saeki et al. .... D16/231
- D. 419,581 1/2000 Ishibashi et al. .... D16/231
- D. 420,033 2/2000 Takano et al. .... D16/231
- D. 425,539 5/2000 Fujii et al. .... D16/231
- D. 429,270 8/2000 Ishibashi et al. .... D16/231
- 5,868,485 2/1999 Fujimori et al. .... 353/119

### OTHER PUBLICATIONS

Sharp Catalog, Apr. 1998 (XV-N1100 projector).

Primary Examiner—Adir Aronovich  
Attorney, Agent, or Firm—Nixon & Vanderhye

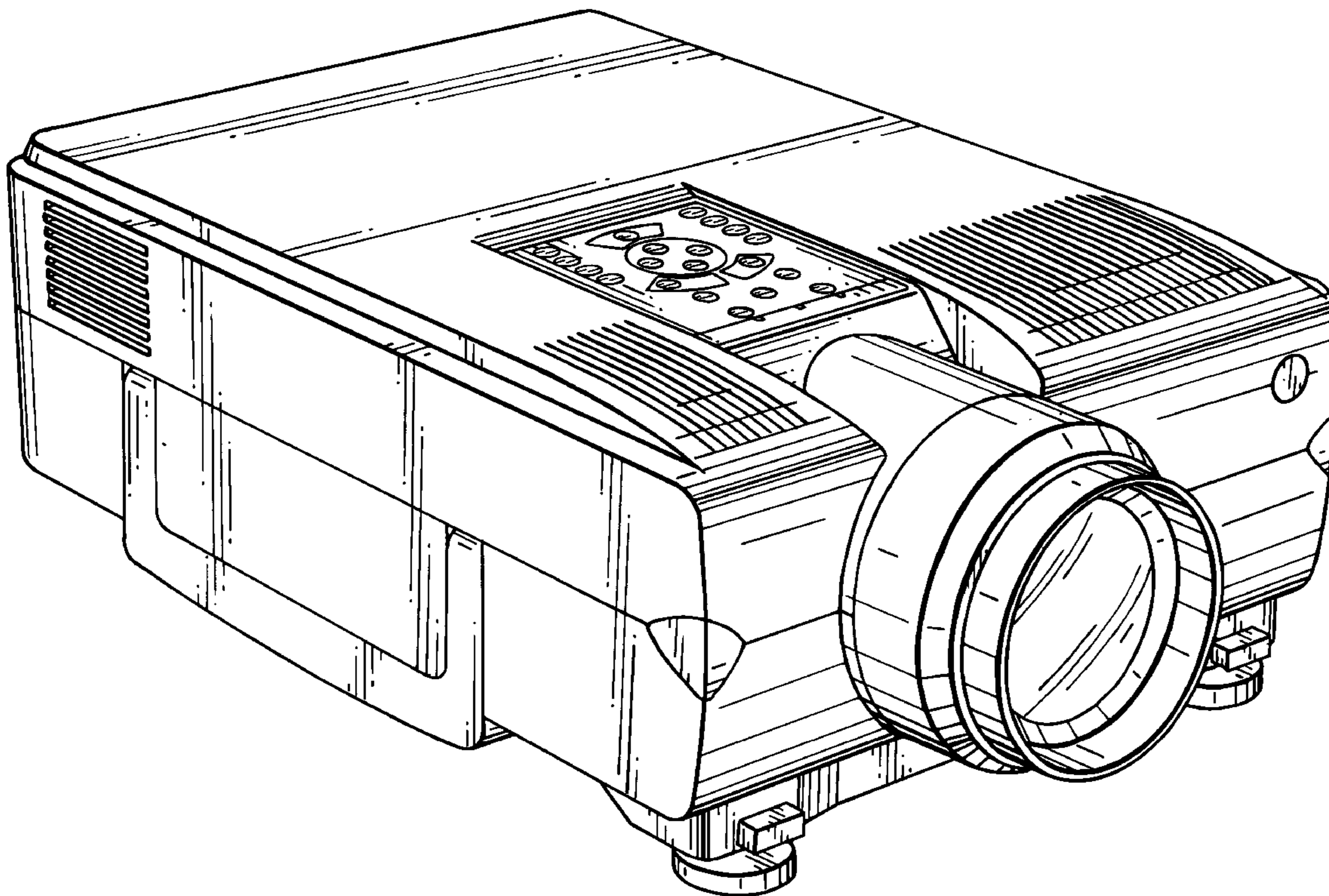
### [57] CLAIM

The ornamental design for a video projector, as shown and described.

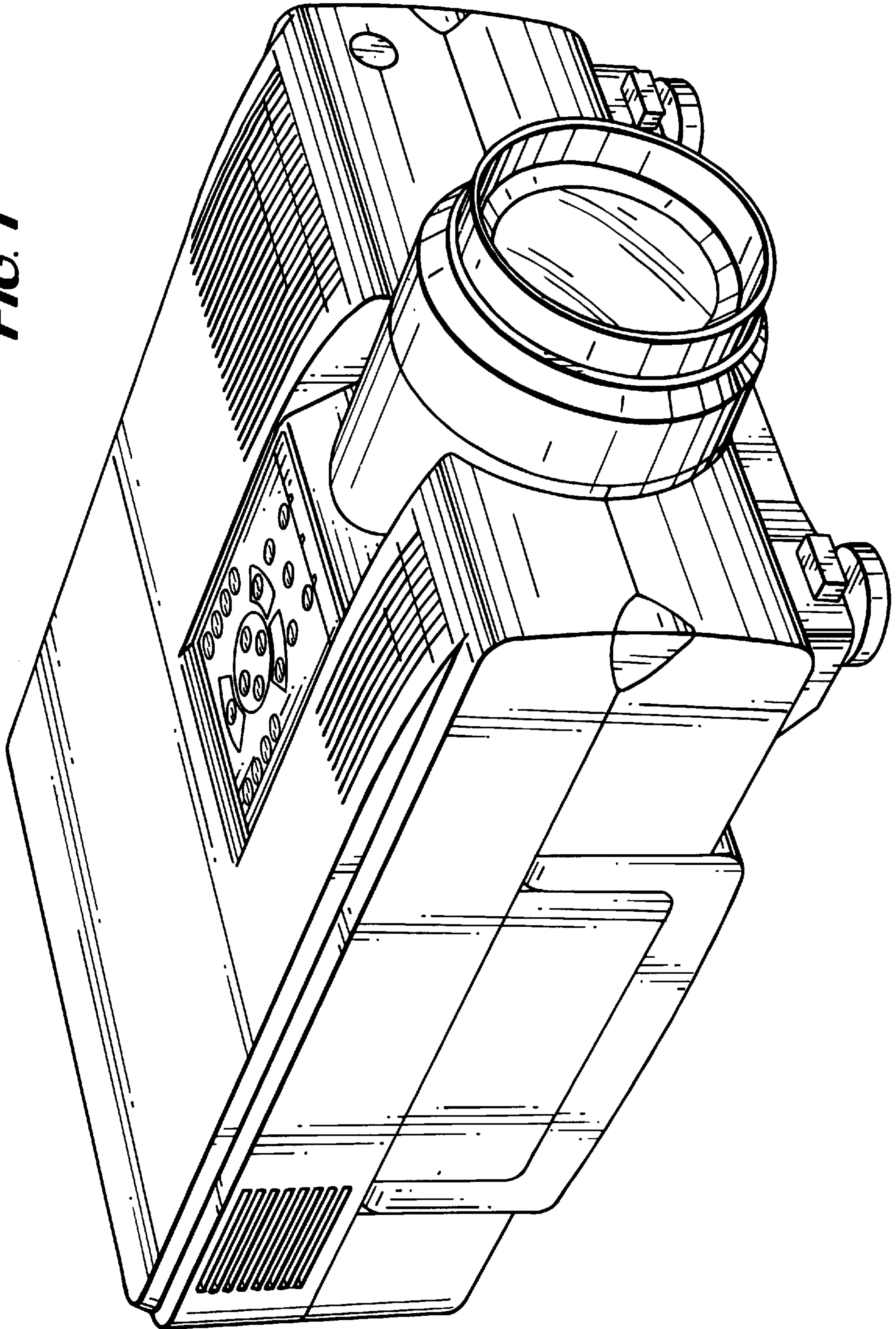
### DESCRIPTION

FIG. 1 is a top, left side and front perspective view of a video projector according to our design; FIG. 2 is a top plan view thereof; FIG. 3 is a front elevational view thereof; FIG. 4 is a right side elevational view thereof; FIG. 5 is a left side elevational view thereof; FIG. 6 is a rear elevational view thereof; and, FIG. 7 is a bottom plan view thereof.

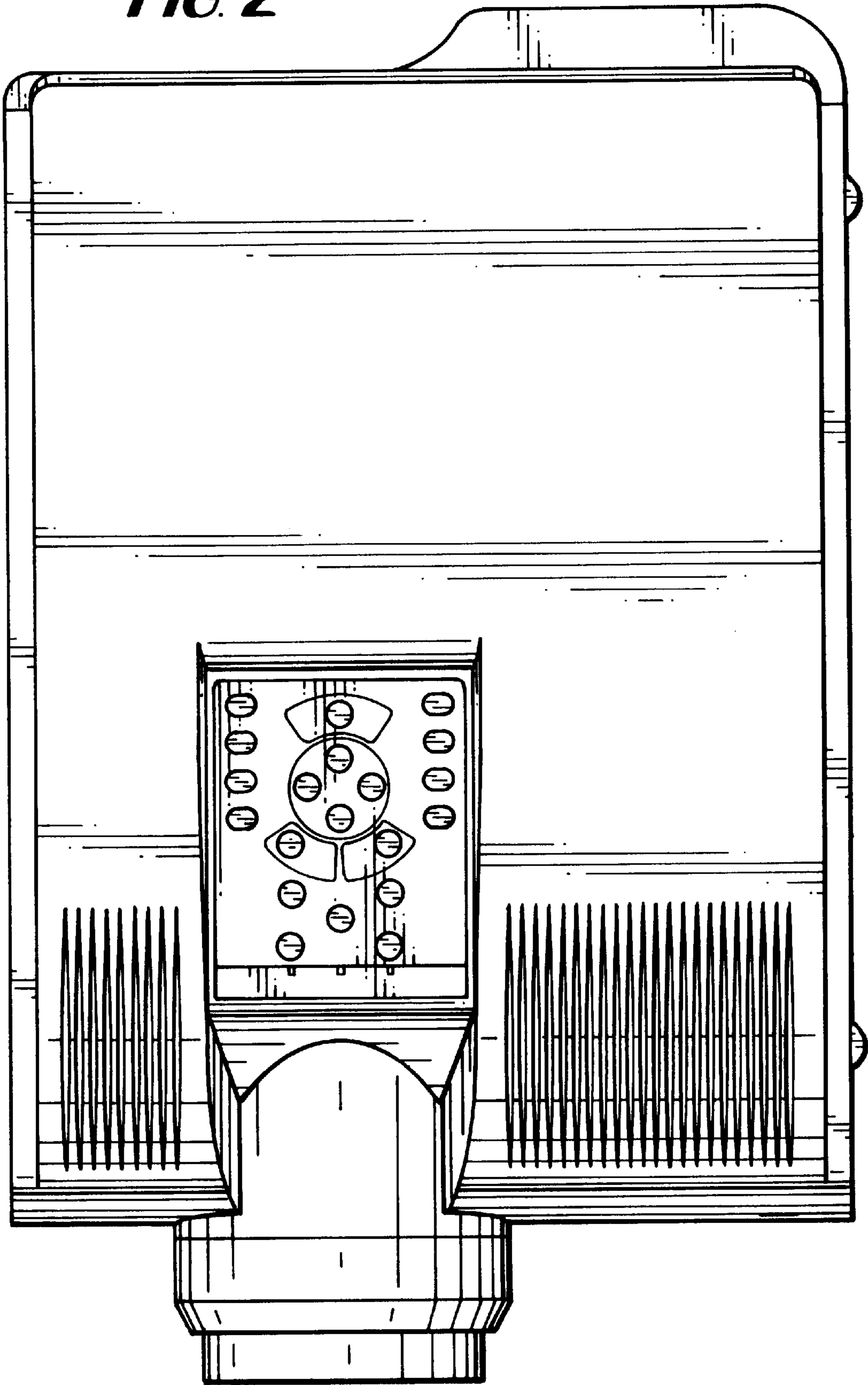
1 Claim, 6 Drawing Sheets



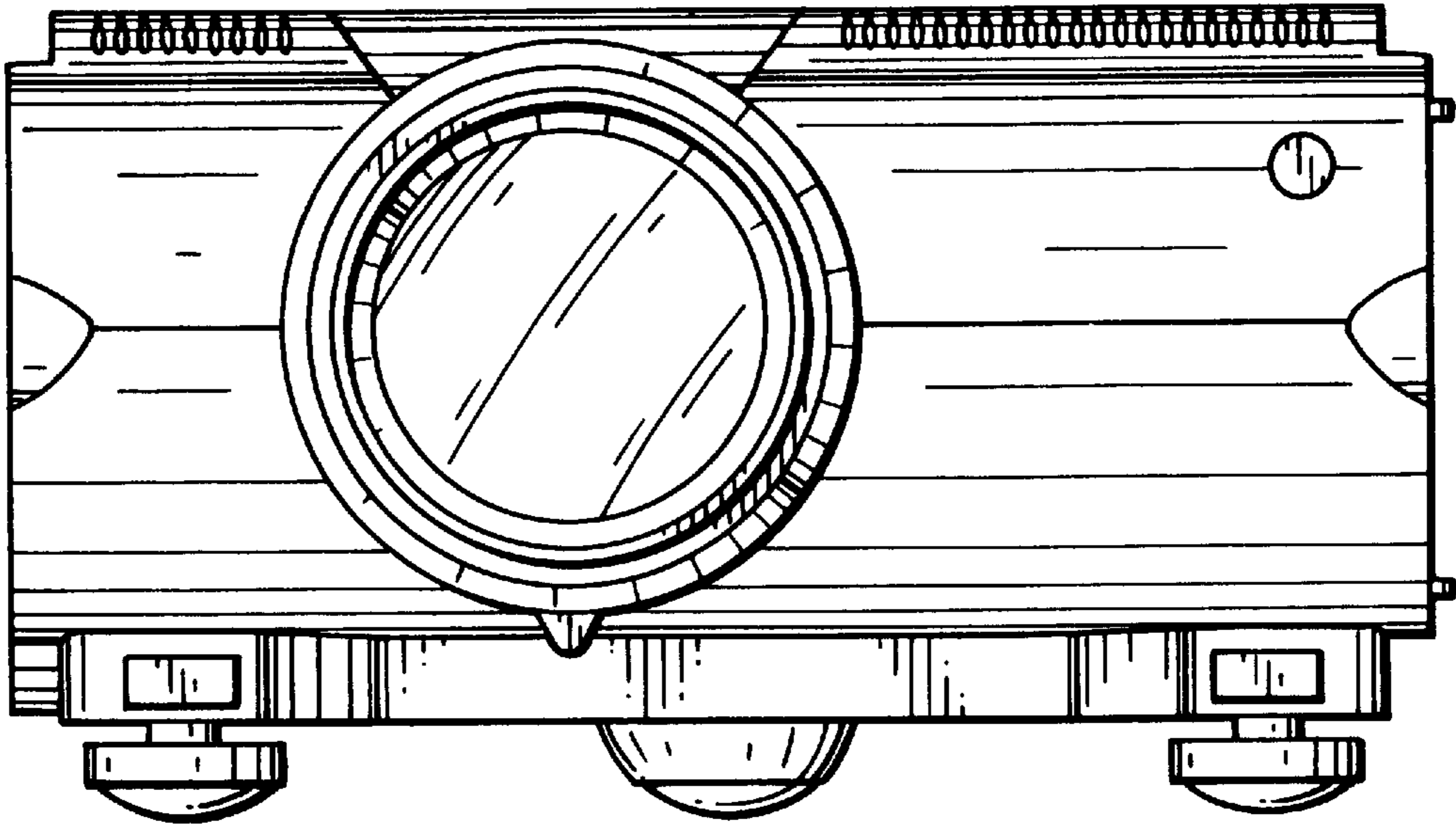
**FIG. 1**



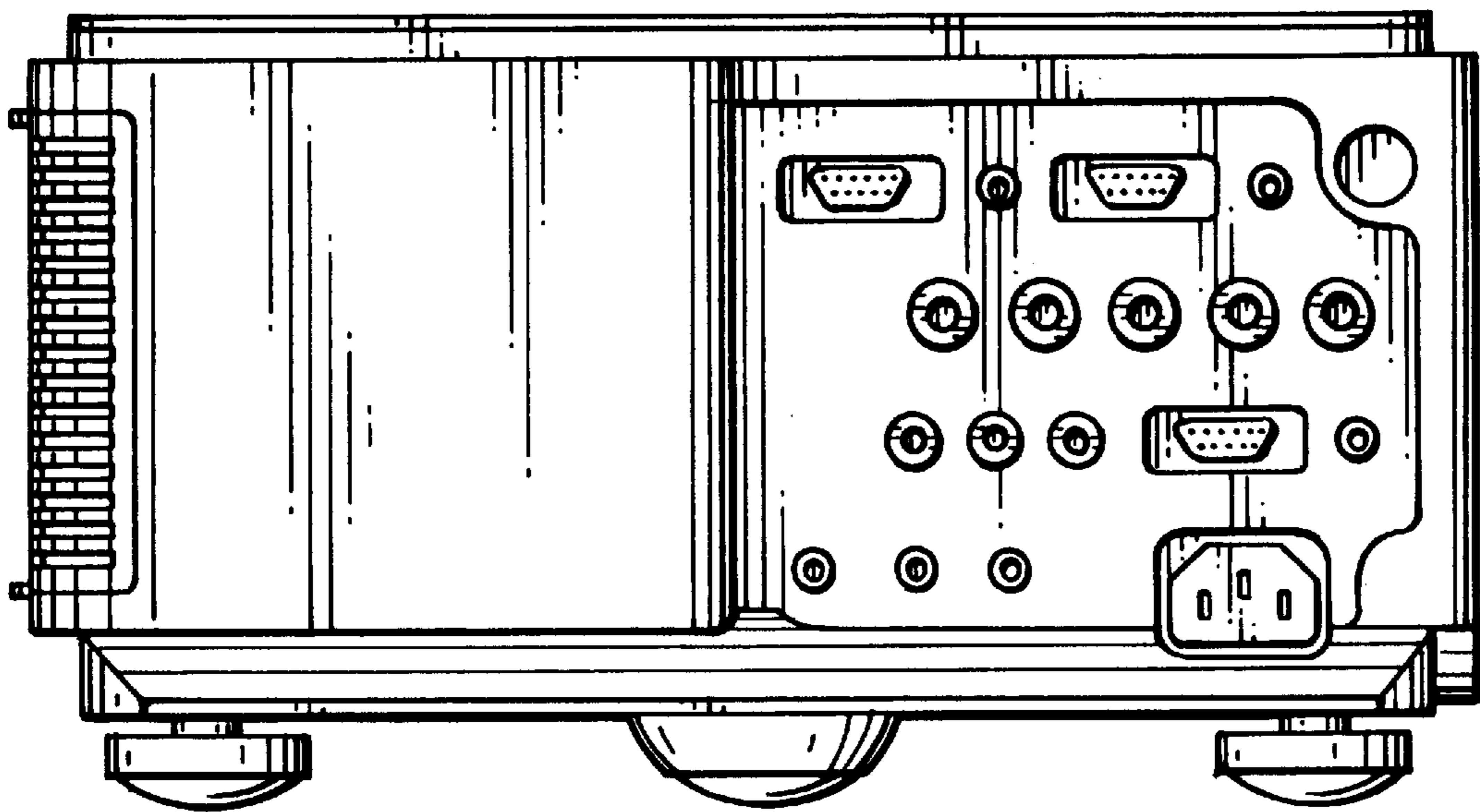
**FIG. 2**



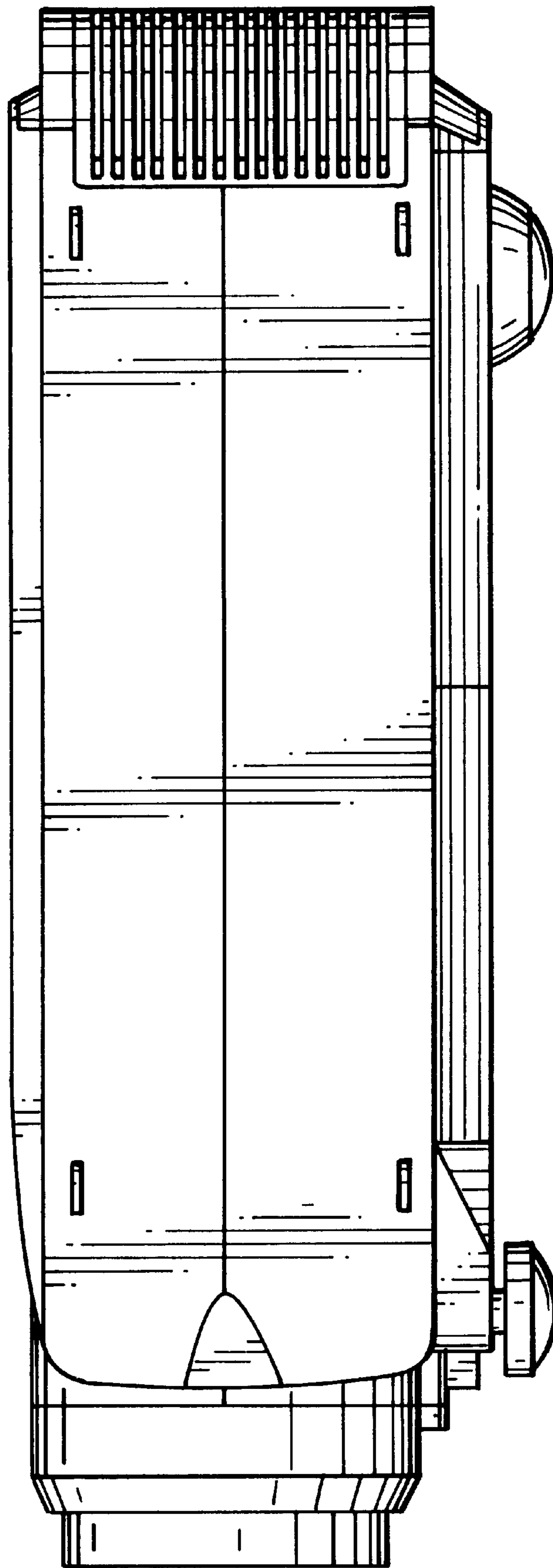
**FIG. 3**



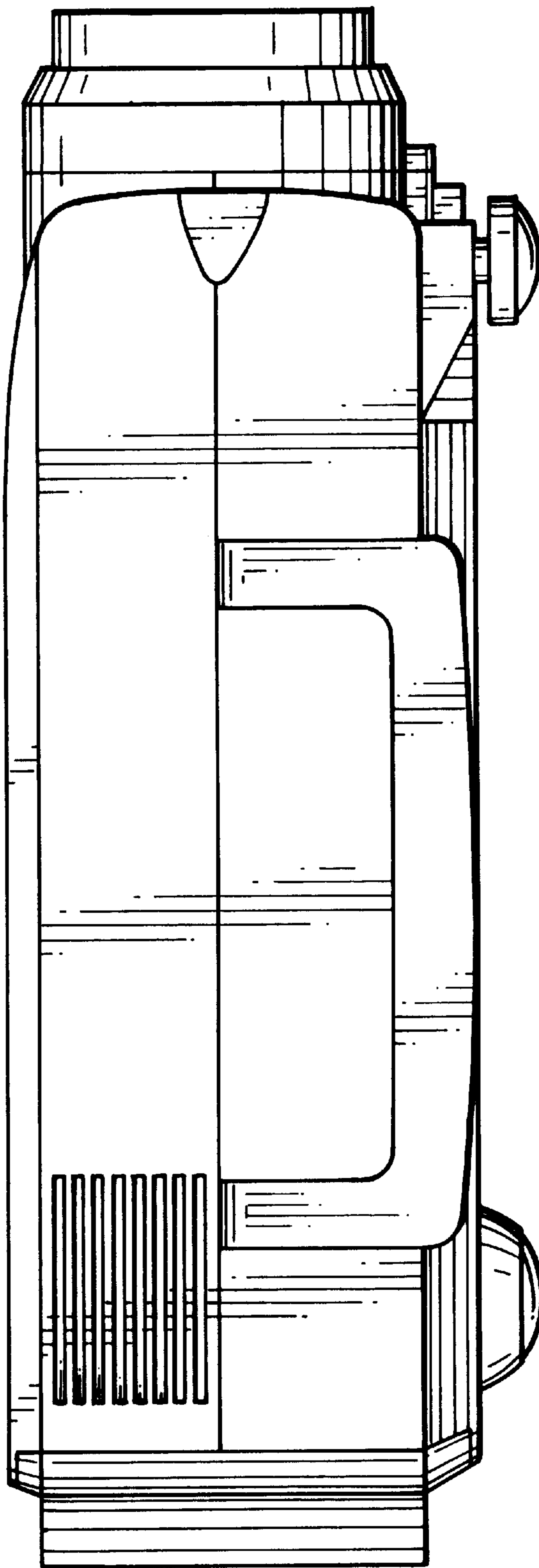
**FIG. 6**



**FIG. 4**



*FIG. 5*



*FIG. 7*

