



US00D434428S

United States Patent [19] Krieck

[11] Patent Number: Des. 434,428

[45] Date of Patent: ** Nov. 28, 2000

[54] **WELDING WIRE FEEDER**

[75] Inventor: Daniel G. Krieck, Appleton, Wis.

[73] Assignee: Illinois Tool Works Inc., Glenview, Ill.

[**] Term: 14 Years

[21] Appl. No.: 29/113,637

[22] Filed: Nov. 9, 1999

[51] LOC (7) Cl. 15-09

[52] U.S. Cl. D15/144.2

[58] Field of Search D15/144, 144.1, 144.2, 219/60 R, 61, 74, 75.14, 125.11, 137.2, 137.7, 137.71, 136, 137 PS, 76.14, 137.31, 137.9; 242/128

[56] **References Cited**

U.S. PATENT DOCUMENTS

2,833,912 5/1958 Royer .
2,880,305 3/1959 Baird .
5,370,296 12/1994 Brinck et al. 219/137.31

OTHER PUBLICATIONS

Mac Tools, Inc., "Owner's Manual", Owner's Manual for MW 175 wire feeder which includes the PF 175 unit, pp. 1-25, Jun. 1995.

Mac Tools, Inc., "Innovative Designs for Greater Shop Productivity", Product Description, pp. 1-2, Jan. 1995.

2 photos of Mac Tools welding wire feeder Model PF 175. Manufacturer is Mac tools, Inc. Personal photographs taken by applicant in Nov. 1999. No date given on unit depicted in photograph.

Daihen Corporation, "OTC Owner's Manual for CM-2302", Owner's Manual for the OTC CM-2302 welding wire feeder, pp. 1-24, Apr. 30, 1997.

5 photos of OTC welding wire feeder Model CM-2302. Manufacturer is Daihen Corporation. Personal photographs taken by applicant in Nov. 1999. Date stamped on unit depicted in photograph is 1997.

2 photos of Panasonic welding wire feeder Model YW-501F K4. Manufacturer is Matsushita Industrial Equipment Co., Ltd. Personal photographs taken by applicant in Nov. 1999. Year of manufacture stamped on unit depicted in photograph is 1993.

Primary Examiner—Antoine Duval Davis
Attorney, Agent, or Firm—Joseph W. Byrne

[57] **CLAIM**

The ornamental design for a welding wire feeder, as shown and described.

DESCRIPTION

FIG. 1 is a left front perspective view of the welding wire feeder;

FIG. 2 is a left side view thereof;

FIG. 3 is a right side view thereof;

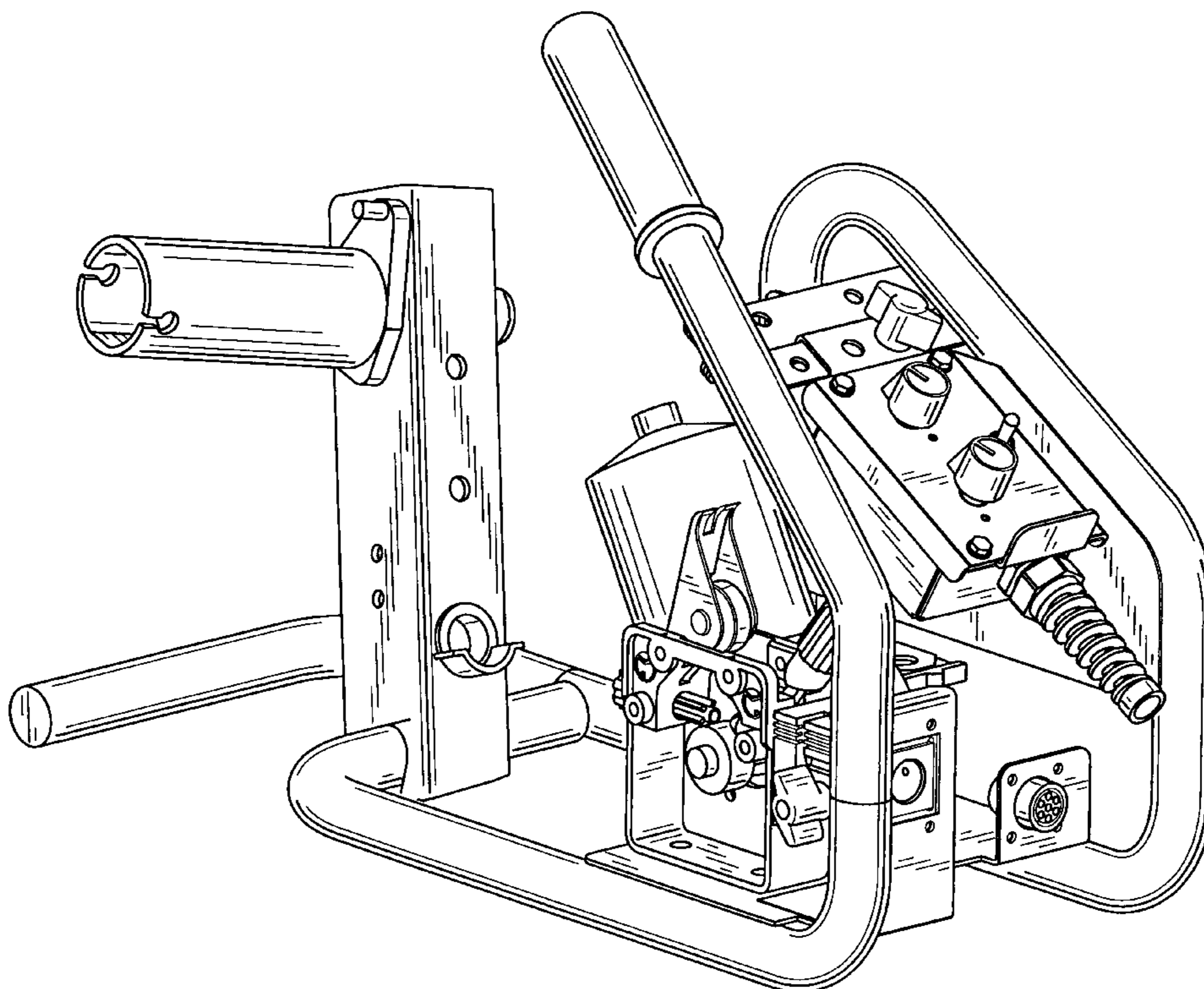
FIG. 4 is a front end view thereof;

FIG. 5 is a rear end view thereof;

FIG. 6 is a top view thereof; and,

FIG. 7 is a bottom view thereof.

1 Claim, 7 Drawing Sheets



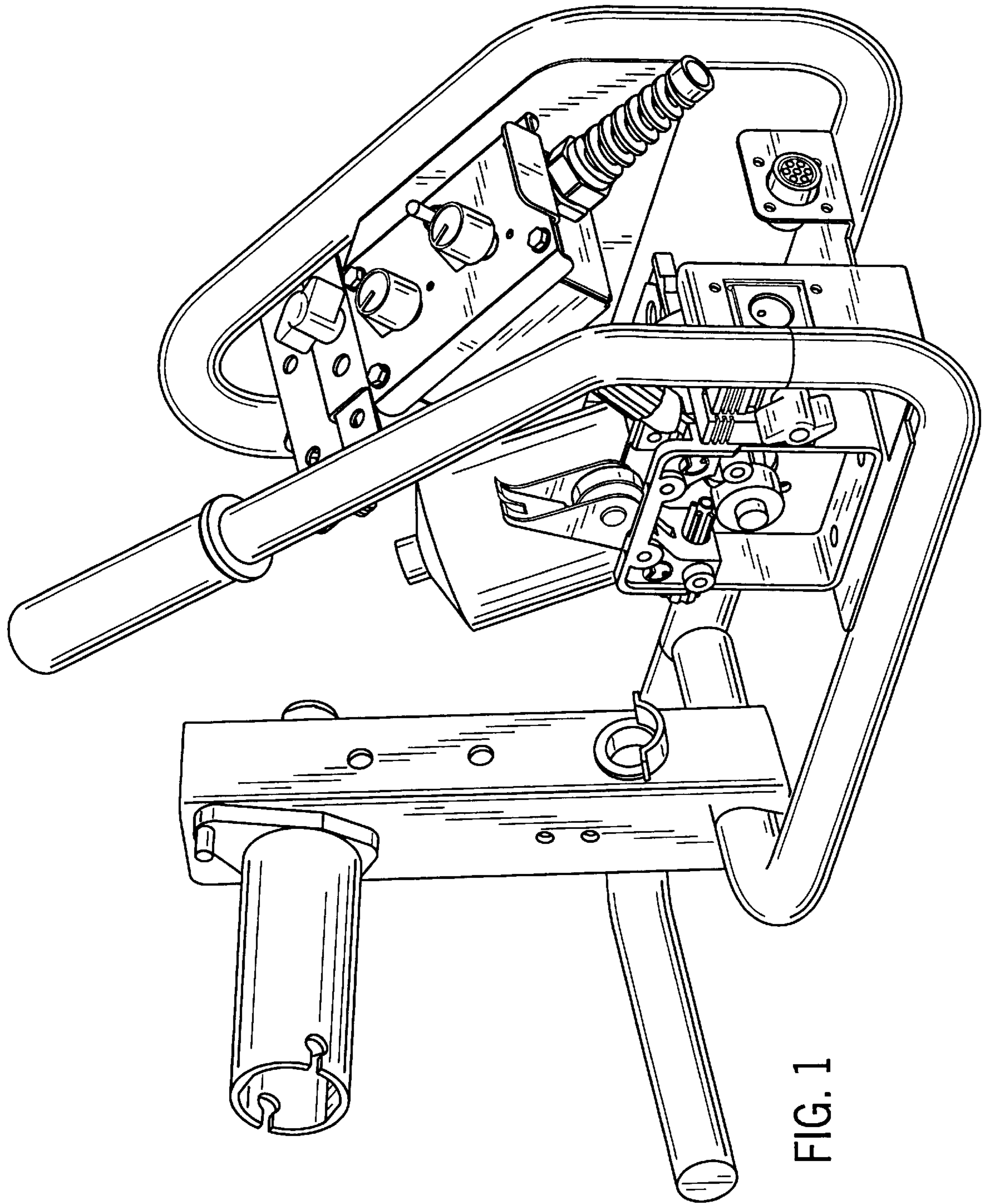


FIG. 1

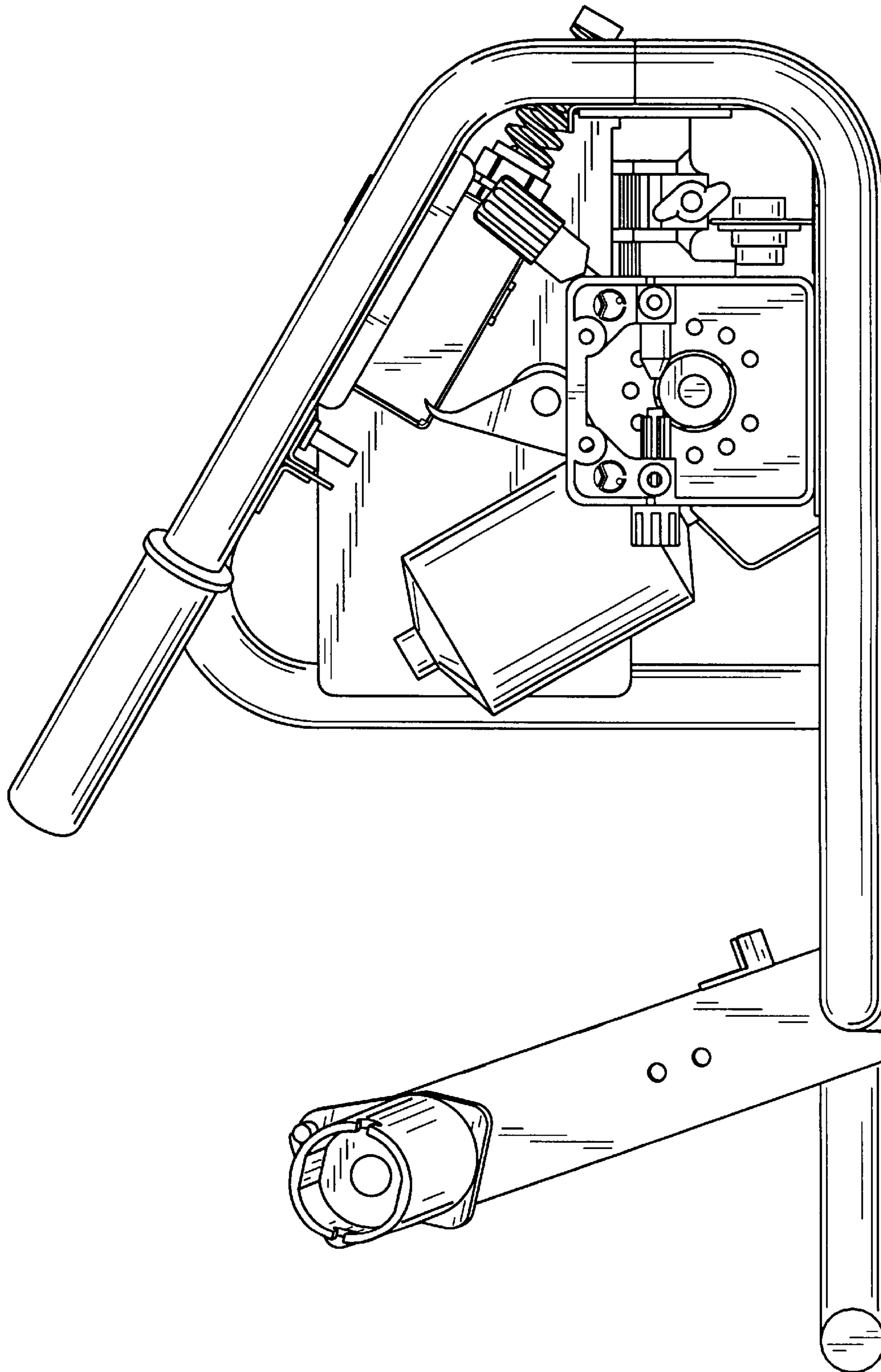


FIG. 2

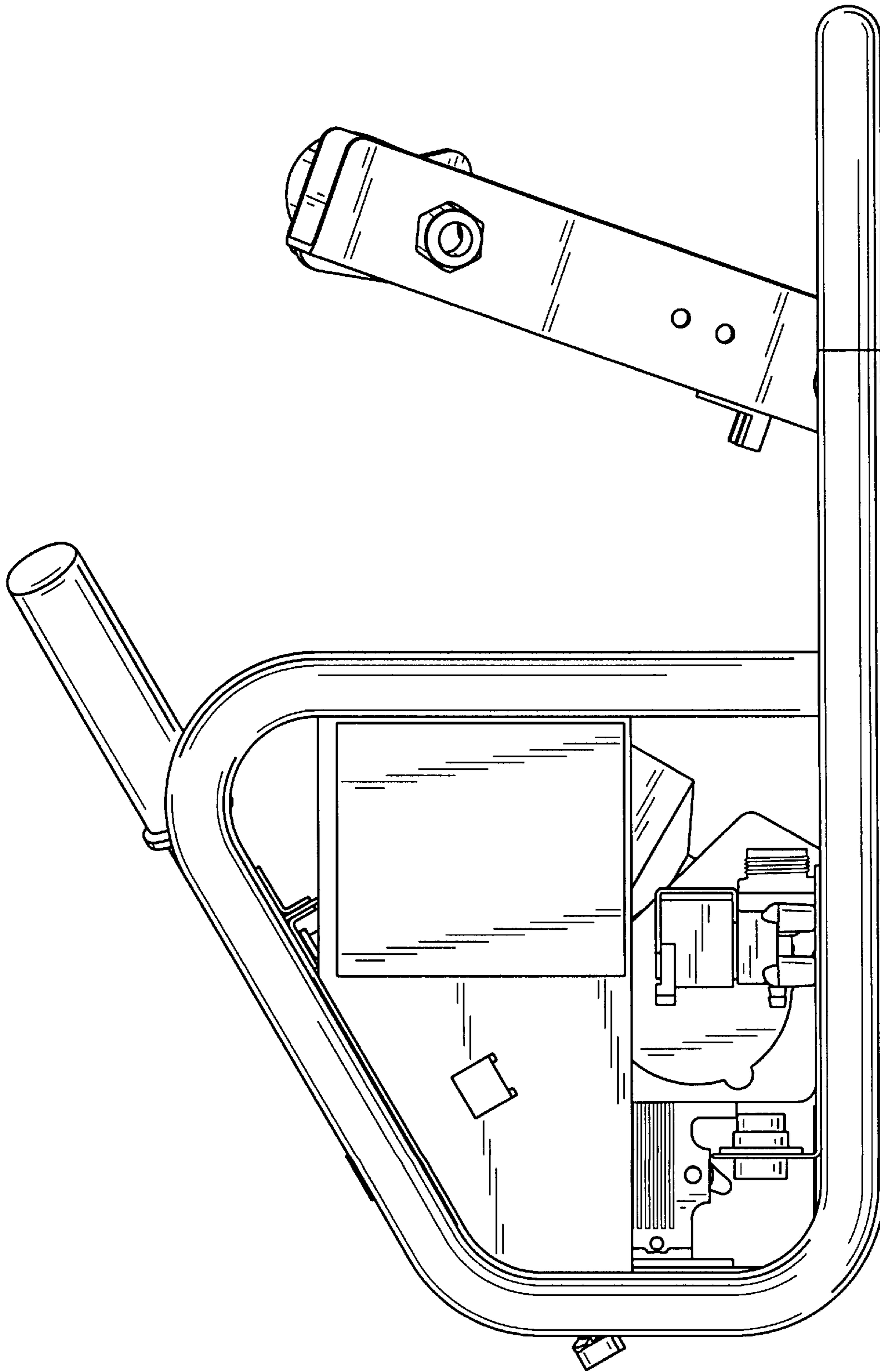


FIG. 3

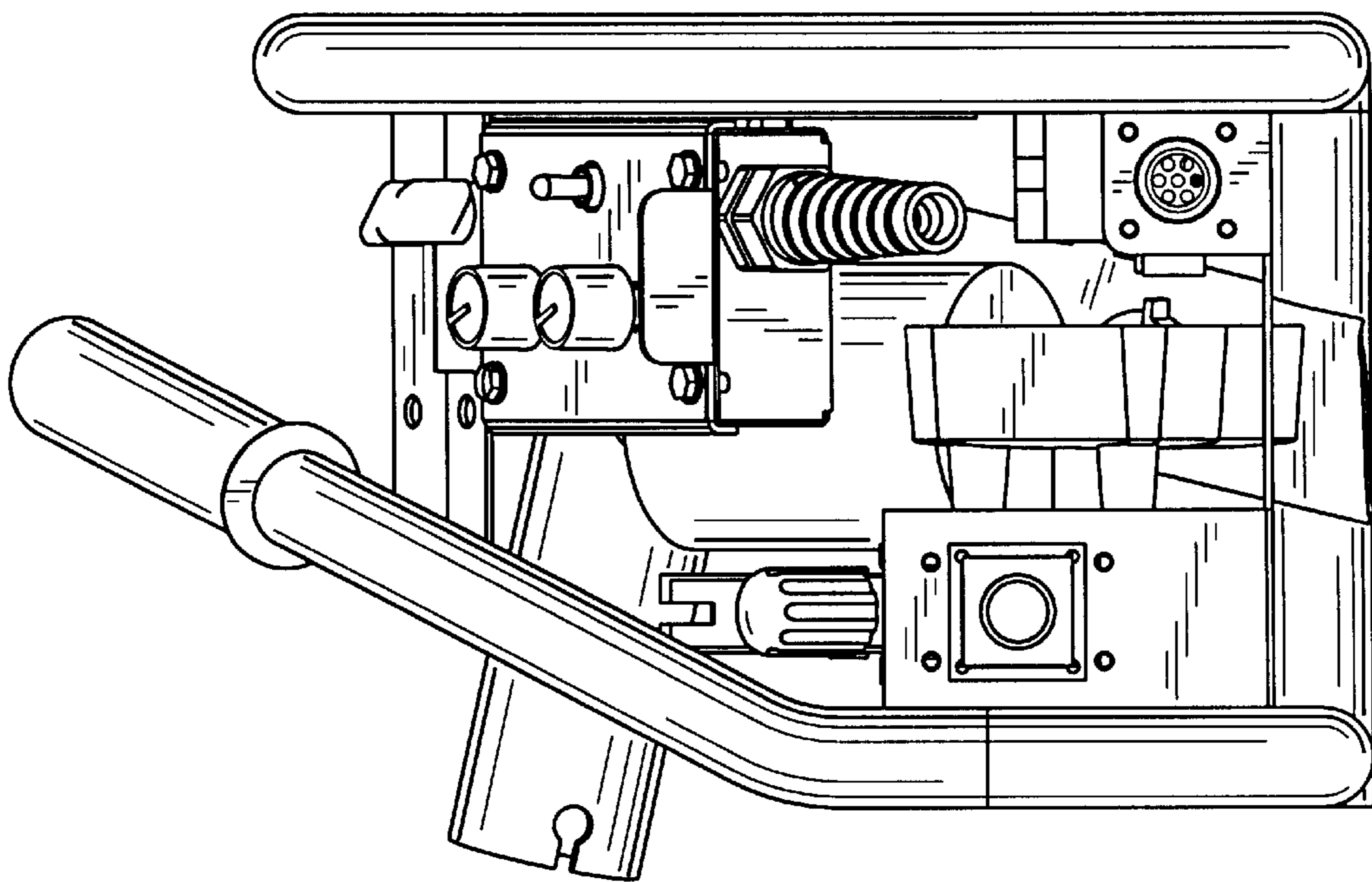


FIG. 4

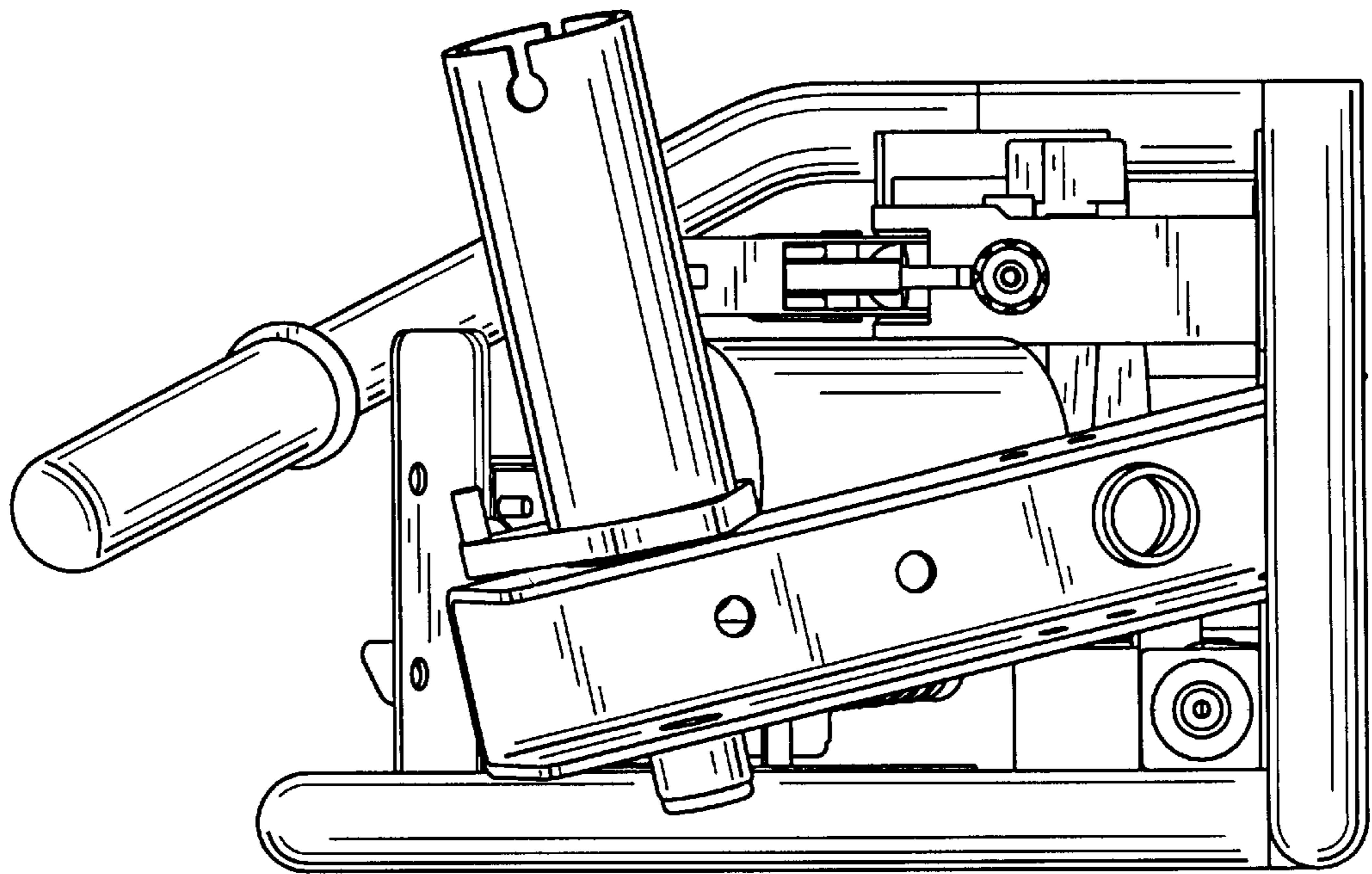


FIG. 5

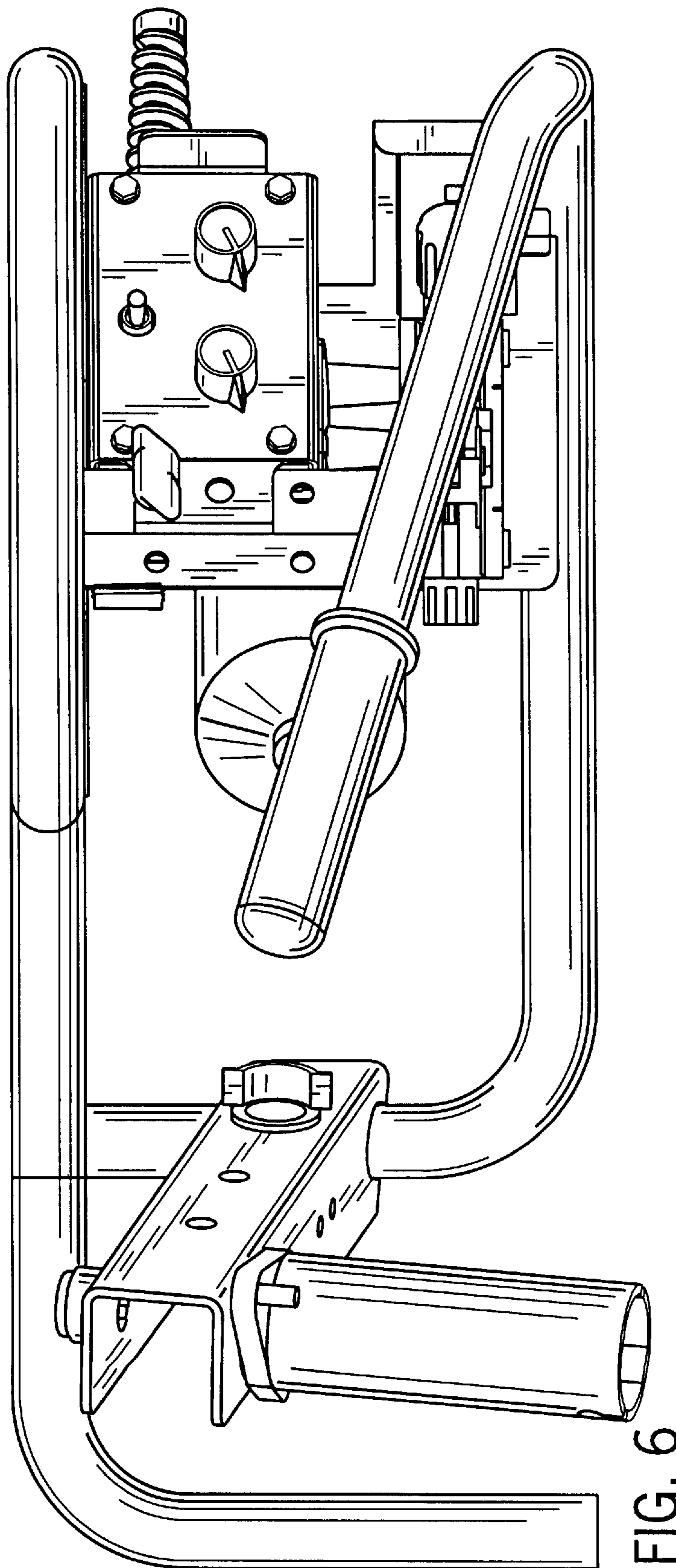


FIG. 6

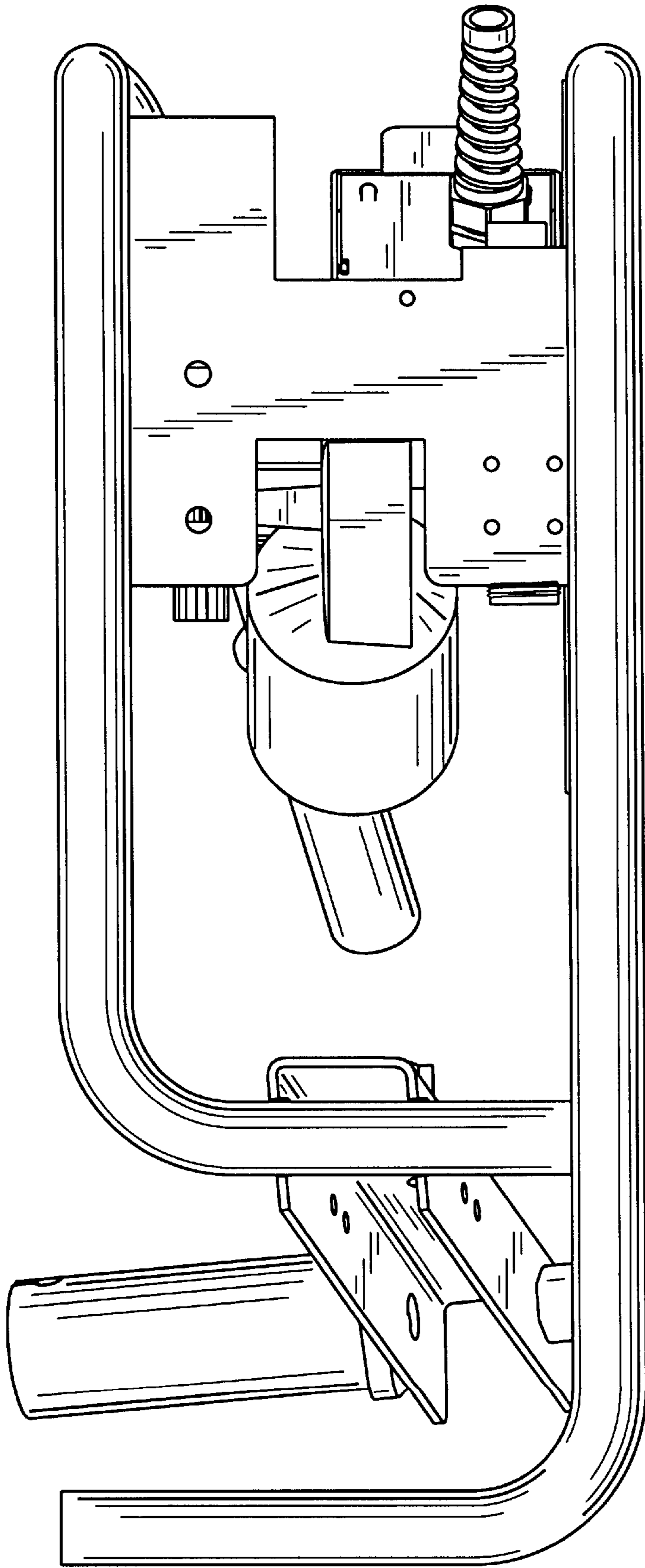


FIG. 7