



US00D434427S

# United States Patent [19]

Di Bitonto et al.

[11] Patent Number: Des. 434,427

[45] Date of Patent: \*\* Nov. 28, 2000

[54] ICE CUBE TRAY HAVING A SLIDABLE COVER

5,188,744 2/1993 Silverman .  
5,196,127 3/1993 Solell .  
5,393,032 2/1995 Cederroth .

[75] Inventors: Anthony Di Bitonto, Brooklyn; Davin Stowell, New York, both of N.Y.

Primary Examiner—B. J. Bullock  
Attorney, Agent, or Firm—Rothwell, Figg, Ernst & Manbeck, p.c.

[73] Assignee: Hernan J. Garrido-Lecca, Lima, Peru

[\*\*] Term: 14 Years

### [57] CLAIM

[21] Appl. No.: 29/098,441

The ornamental design for an ice cube tray having a slidable cover, as shown and described.

[22] Filed: Dec. 29, 1998

### DESCRIPTION

[51] LOC (7) Cl. .... 15-07

[52] U.S. Cl. .... D15/90

[58] Field of Search ..... D15/90; 249/121,  
249/126, 127; 221/91

FIG. 1 is a perspective top view of the ice cube tray having a slidable cover in a fully closed position;

FIG. 2 is a perspective bottom view of the tray shown in FIG. 1;

FIG. 3 is a top view of the tray shown in FIG. 1;

FIG. 4 is a side view of the tray shown in FIG. 1, both side views being the same;

FIG. 5 is an end view of an end of the tray shown in FIG. 1, end views being the same;

FIG. 6 is a cross-sectional side view of the tray taken along the axis 6—6 in FIG. 3;

FIG. 7 is a cross-sectional side view of the tray taken along the axis 7—7 in FIG. 3; and,

FIG. 8 is a cross-sectional end view of the tray taken along the axis 8—8 in FIG. 3.

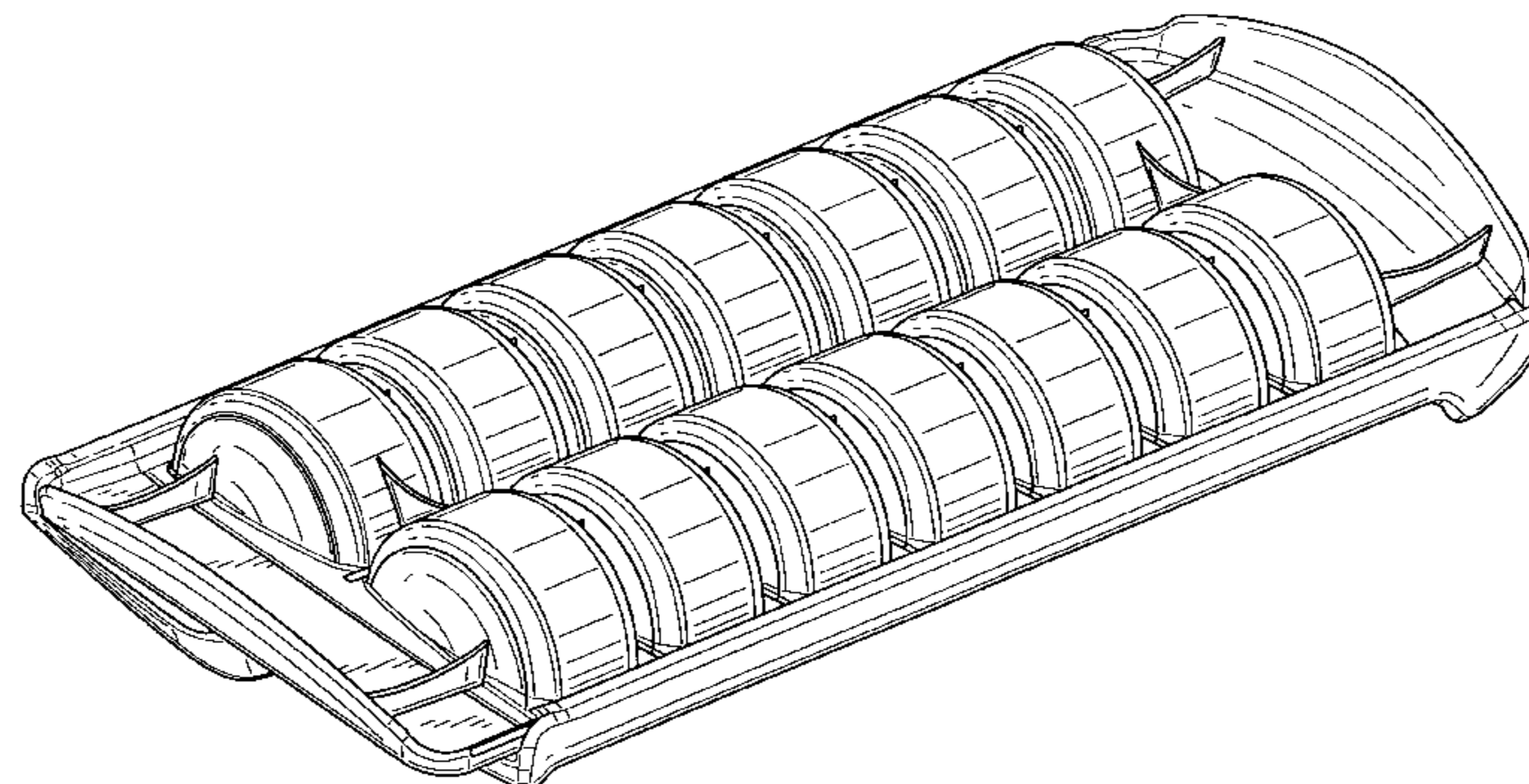
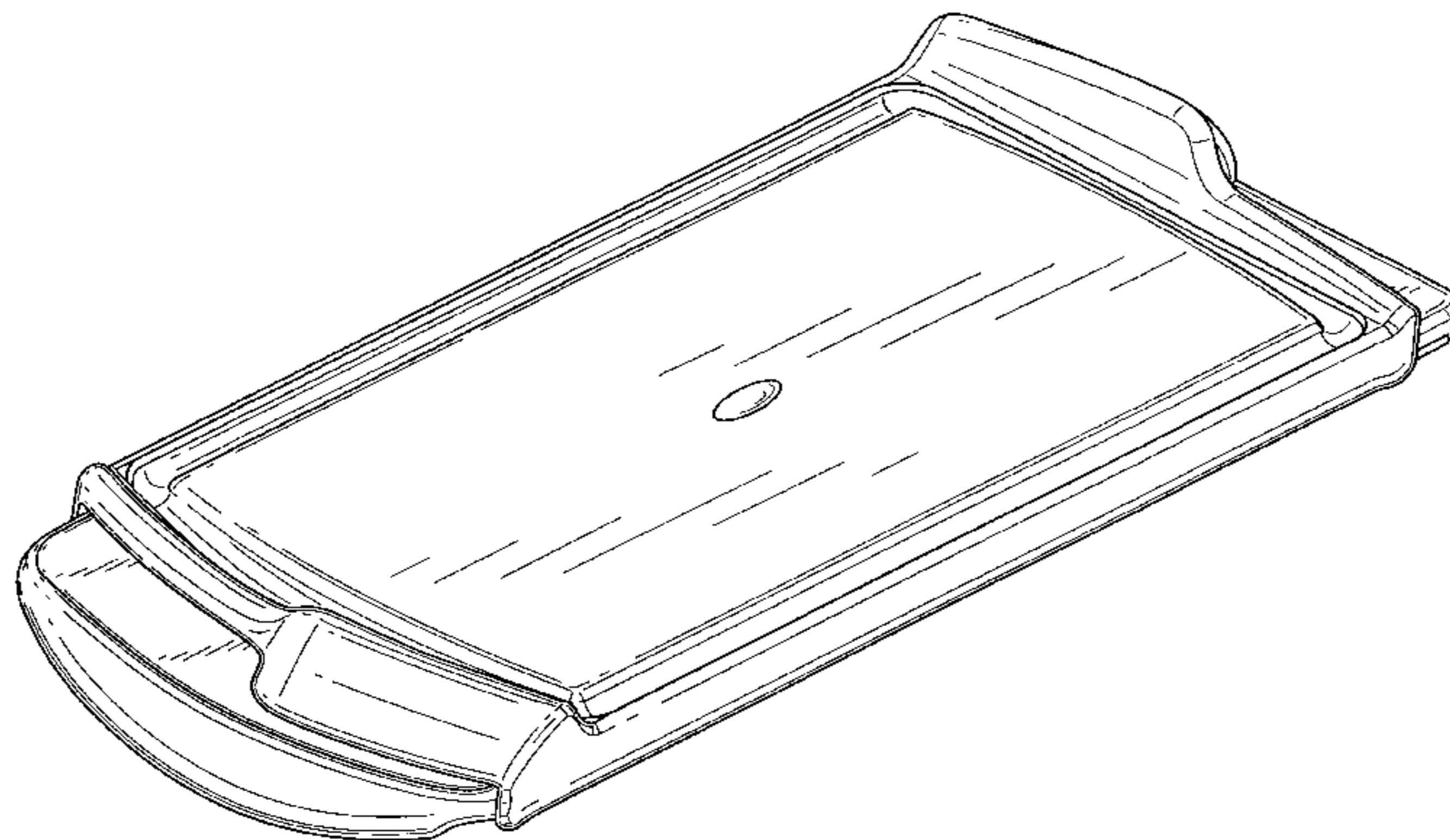
The surface(s) or portion(s) of the article not shown in the drawing or described in the specification form(s) no part of the claimed design.

### [56] References Cited

#### U.S. PATENT DOCUMENTS

D. 245,008	7/1977	LaLonde	.....	D15/90
1,868,503	7/1932	Kennedy, Jr.	.	
2,182,454	12/1939	Sherman	.	
2,503,693	4/1950	Van Lennep	.	
2,961,850	11/1960	Tupper	.	
3,317,177	5/1967	Braud	.	
3,374,982	3/1968	Sallade	.	
3,480,251	11/1969	Pietrzak	.	
3,844,525	10/1974	Parmett	.	
4,148,457	4/1979	Gurbin	.....	249/127
4,366,941	1/1983	Harris	.	
4,372,526	2/1983	Daenen et al.	.	
4,967,995	11/1990	Burgess	.	
5,044,600	9/1991	Shannon	.	

1 Claim, 6 Drawing Sheets



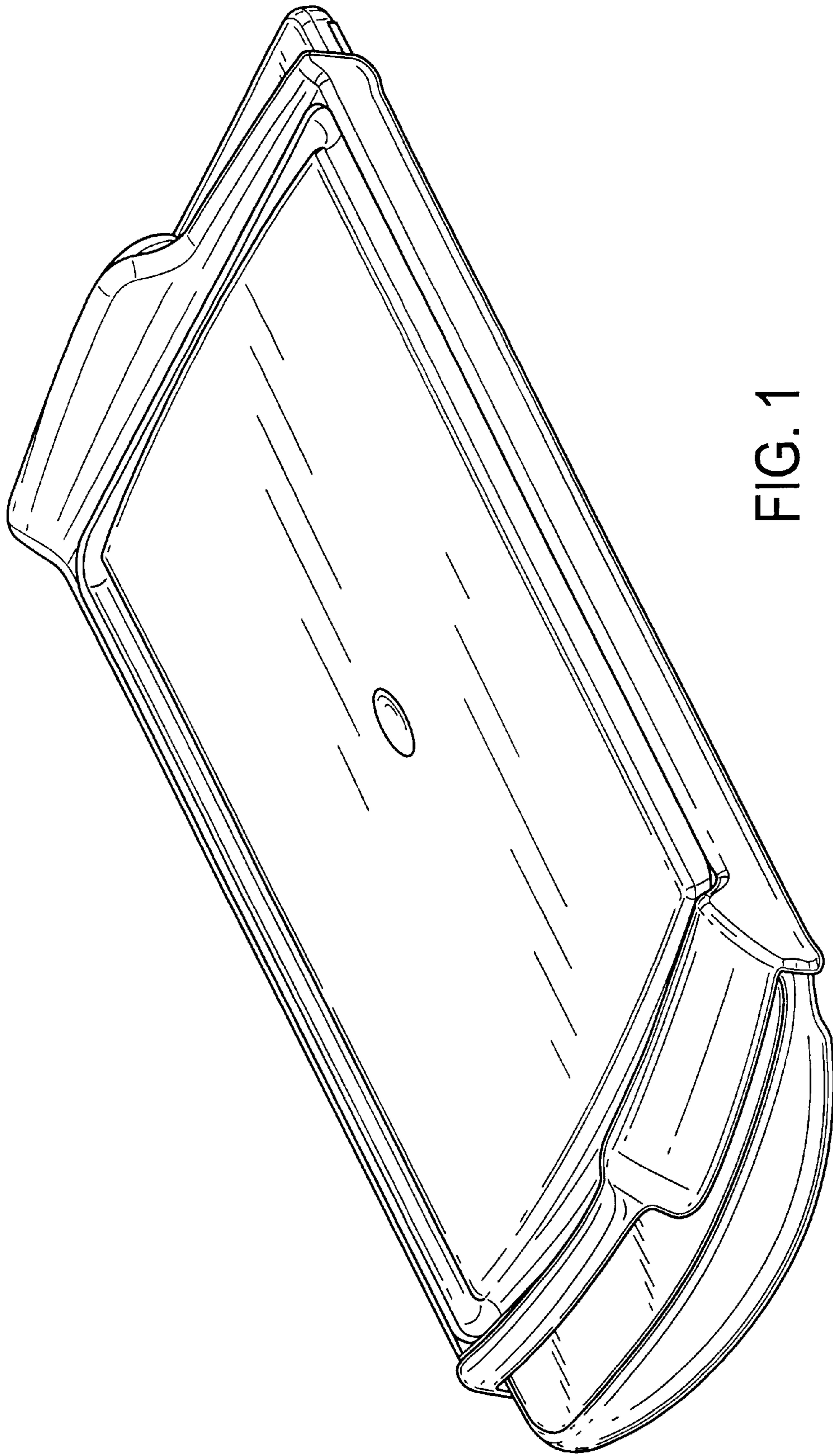


FIG. 1

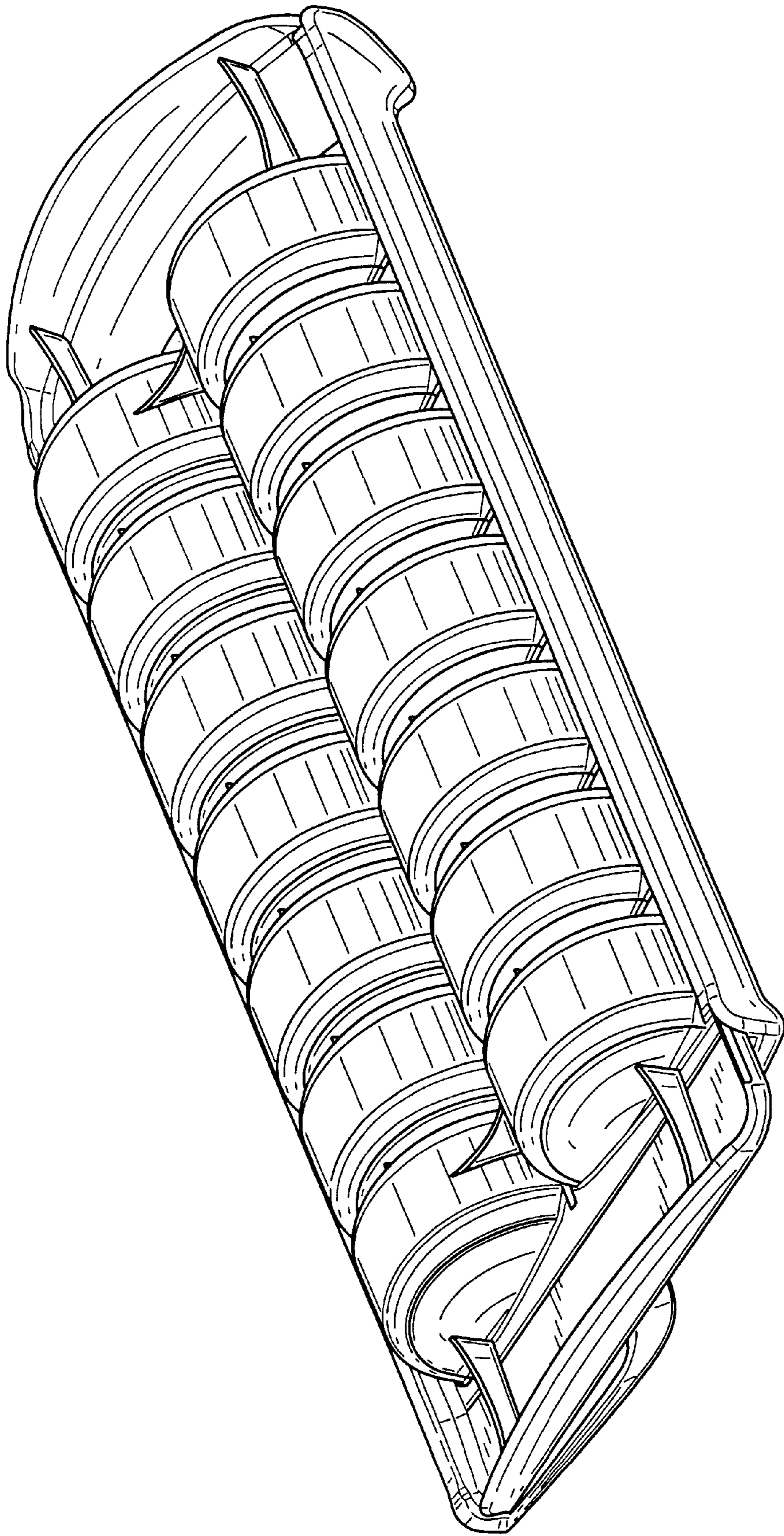


FIG. 2

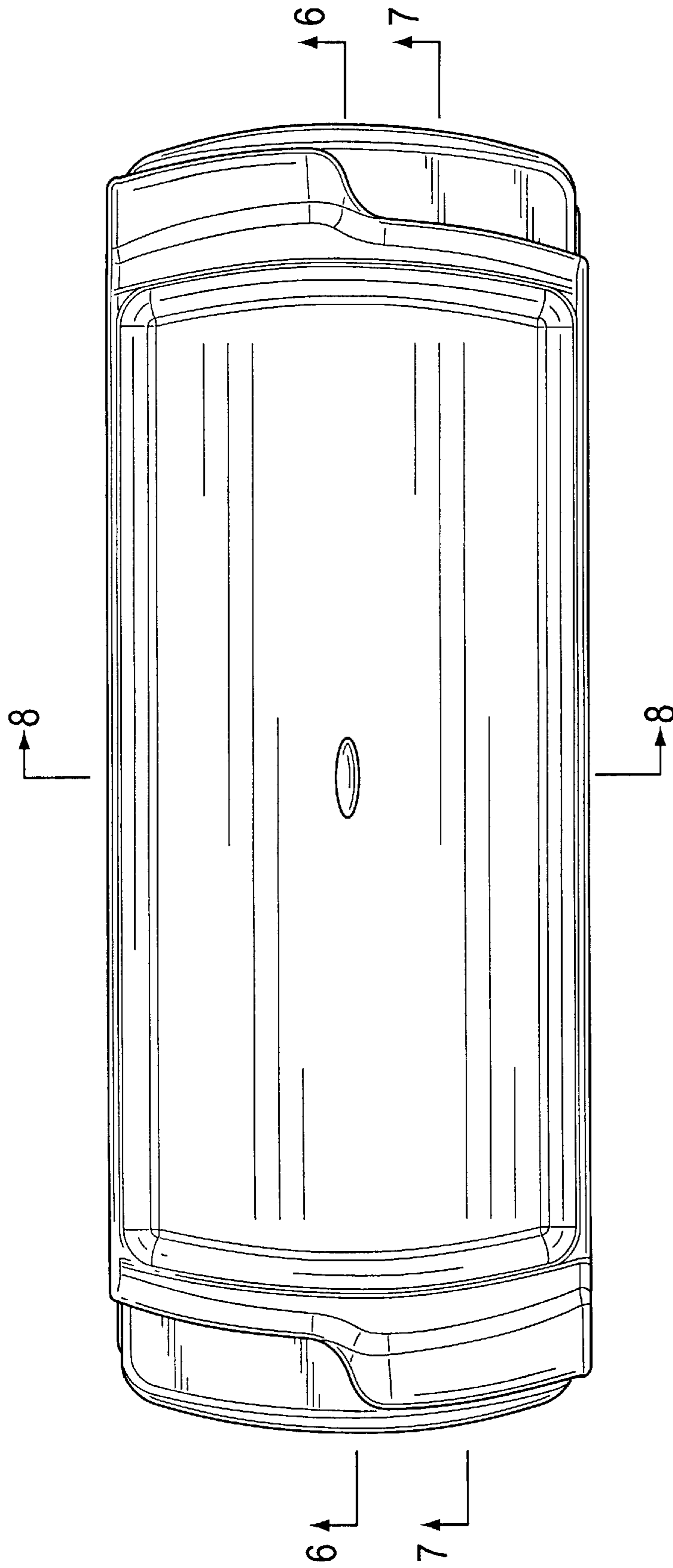


FIG. 3

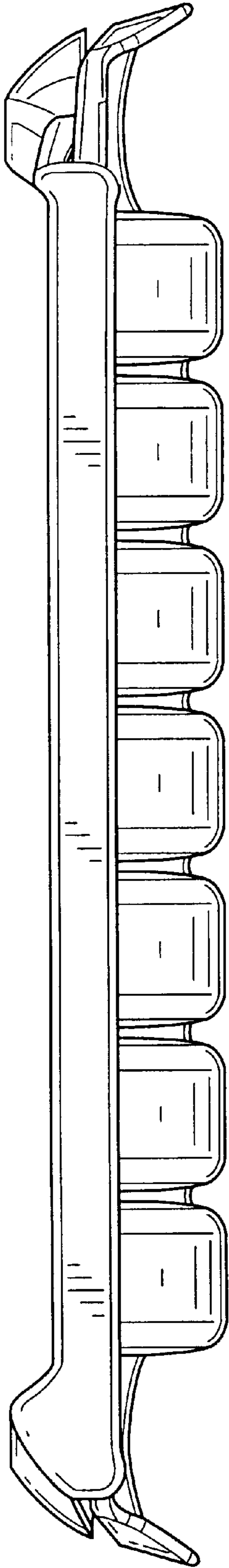


FIG. 4



FIG. 5

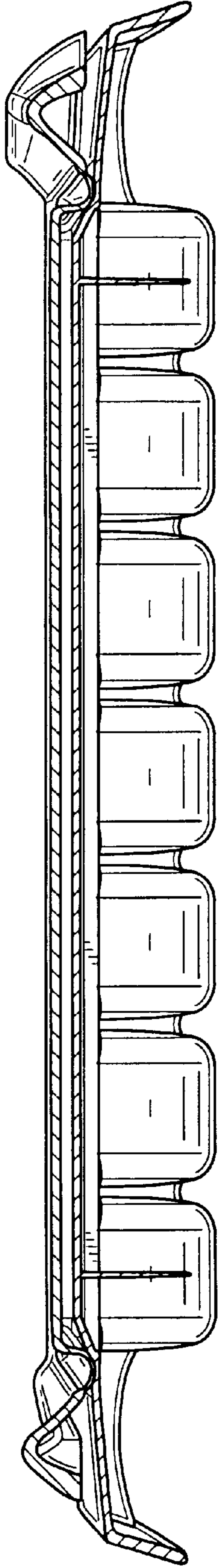


FIG. 6

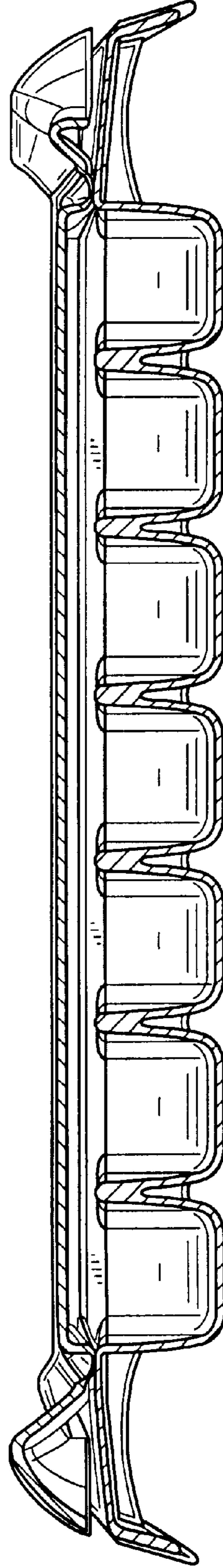


FIG. 7

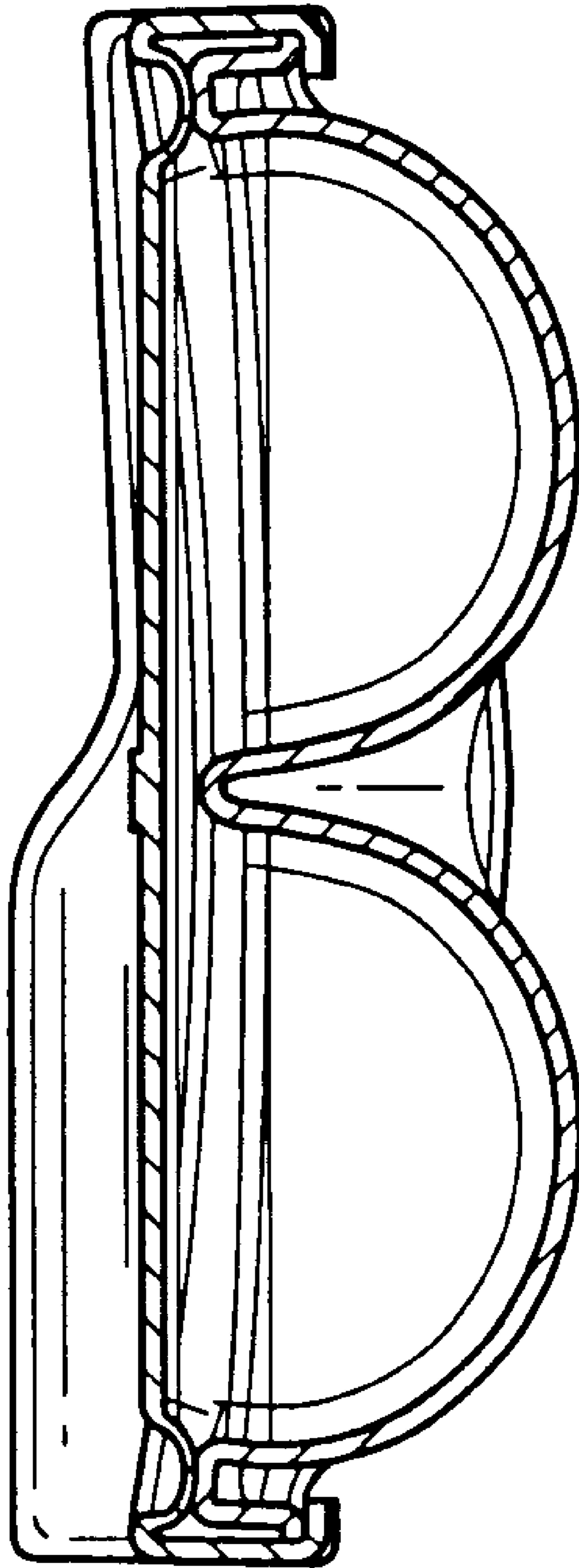


FIG. 8