



US00D434426S

United States Patent [19]
Kuroki

[11] **Patent Number: Des. 434,426**

[45] **Date of Patent: ** Nov. 28, 2000**

[54] **SEWING MACHINE**

OTHER PUBLICATIONS

[75] Inventor: **Nobuhusa Kuroki**, Tokyo, Japan

W. Bell and Co. 1986 Catalog, p. 40. Singer Lightweight Sewing Machine, #3.

[73] Assignee: **Janome Sewing Machine Co., Ltd.**, Tokyo, Japan

Primary Examiner—Sandra L. Morris
Attorney, Agent, or Firm—Lowe Hauptman Gopstein Gilman & Berner

[**] Term: **14 Years**

[21] Appl. No.: **29/103,018**

[57] **CLAIM**

[22] Filed: **Apr. 6, 1999**

The ornamental design for a sewing machine, as shown and described herein.

[51] **LOC (7) Cl.** **15-06**

DESCRIPTION

[52] **U.S. Cl.** **D15/69**

[58] **Field of Search** D15/66-72; 112/217.1-217.4, 112/256-261

FIG. 1 is a perspective view of a sewing machine showing my design;

FIG. 2 is a front elevational view thereof;

FIG. 3 is a rear elevational view thereof;

FIG. 4 is a top plan view thereof;

FIG. 5 is a bottom plan view thereof;

FIG. 6 is a left side elevational view thereof; and,

FIG. 7 is a right side elevational view thereof.

[56] **References Cited**

U.S. PATENT DOCUMENTS

D. 247,907	5/1978	Satterfield	D15/199
D. 300,543	4/1989	Yoneda	D15/70
D. 359,965	7/1995	Nakajima et al.	D15/69
4,099,474	7/1978	Hamlett et al.	112/258

1 Claim, 6 Drawing Sheets

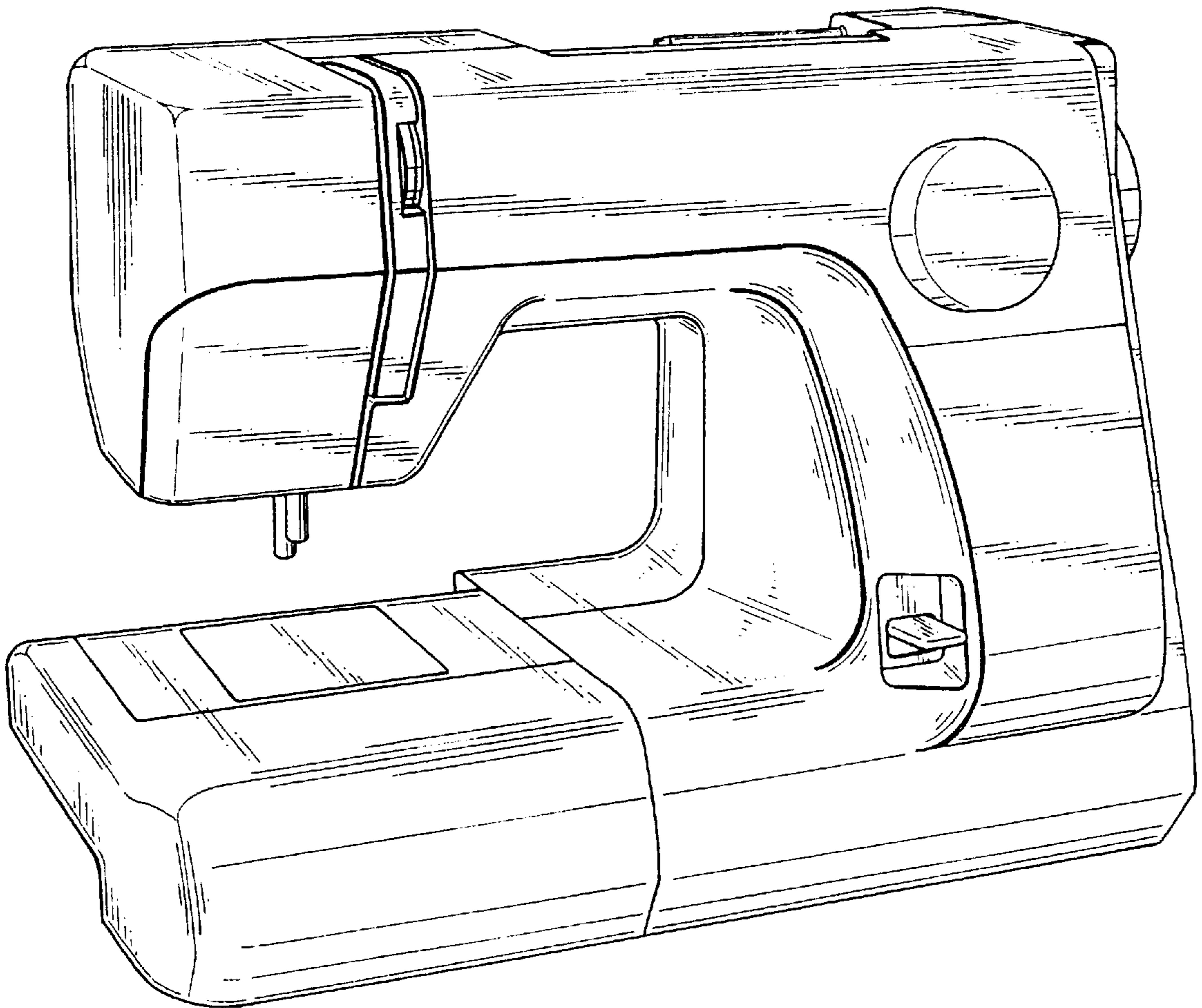


FIG. 1

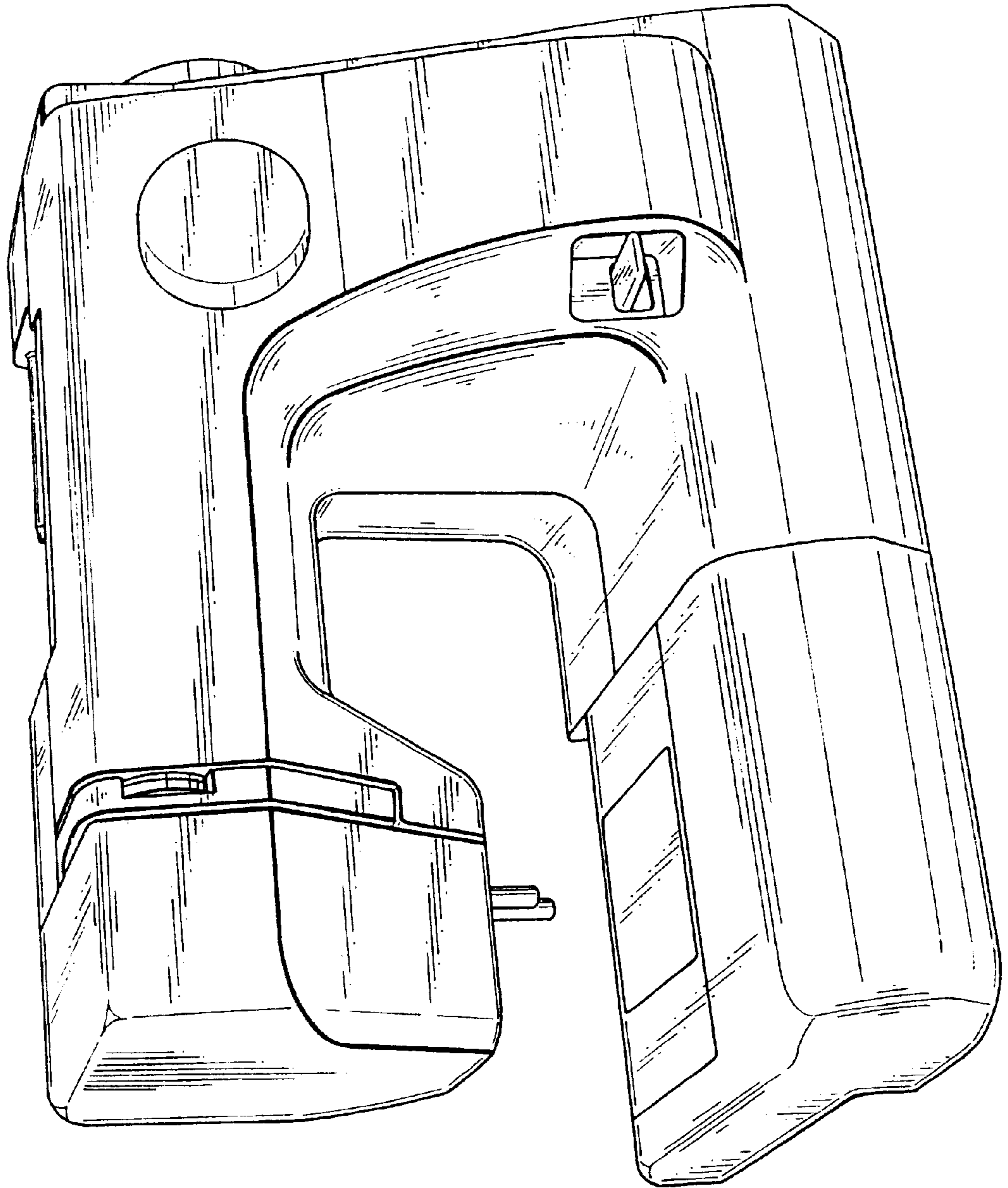


FIG. 2

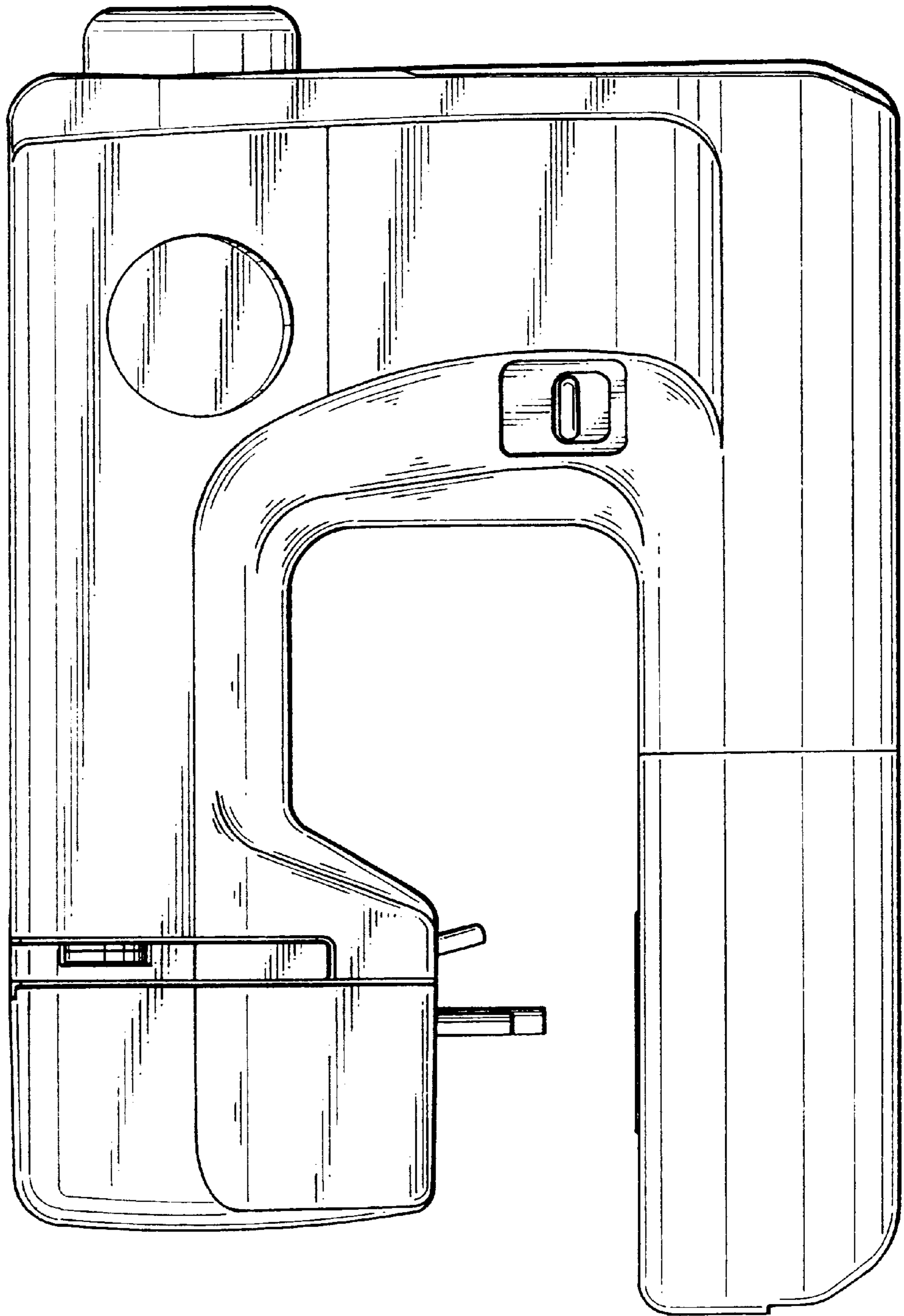


FIG. 3

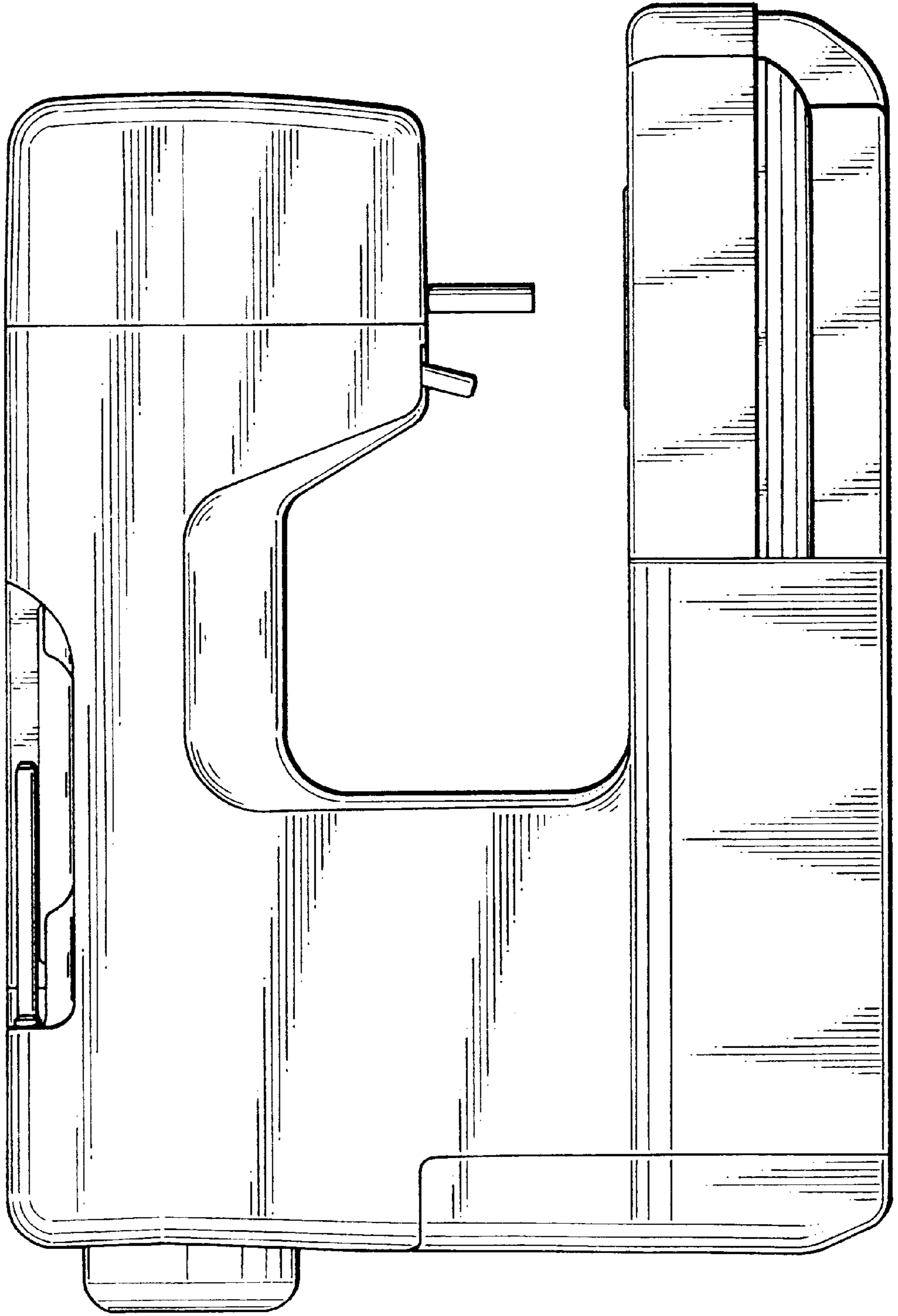


FIG. 4

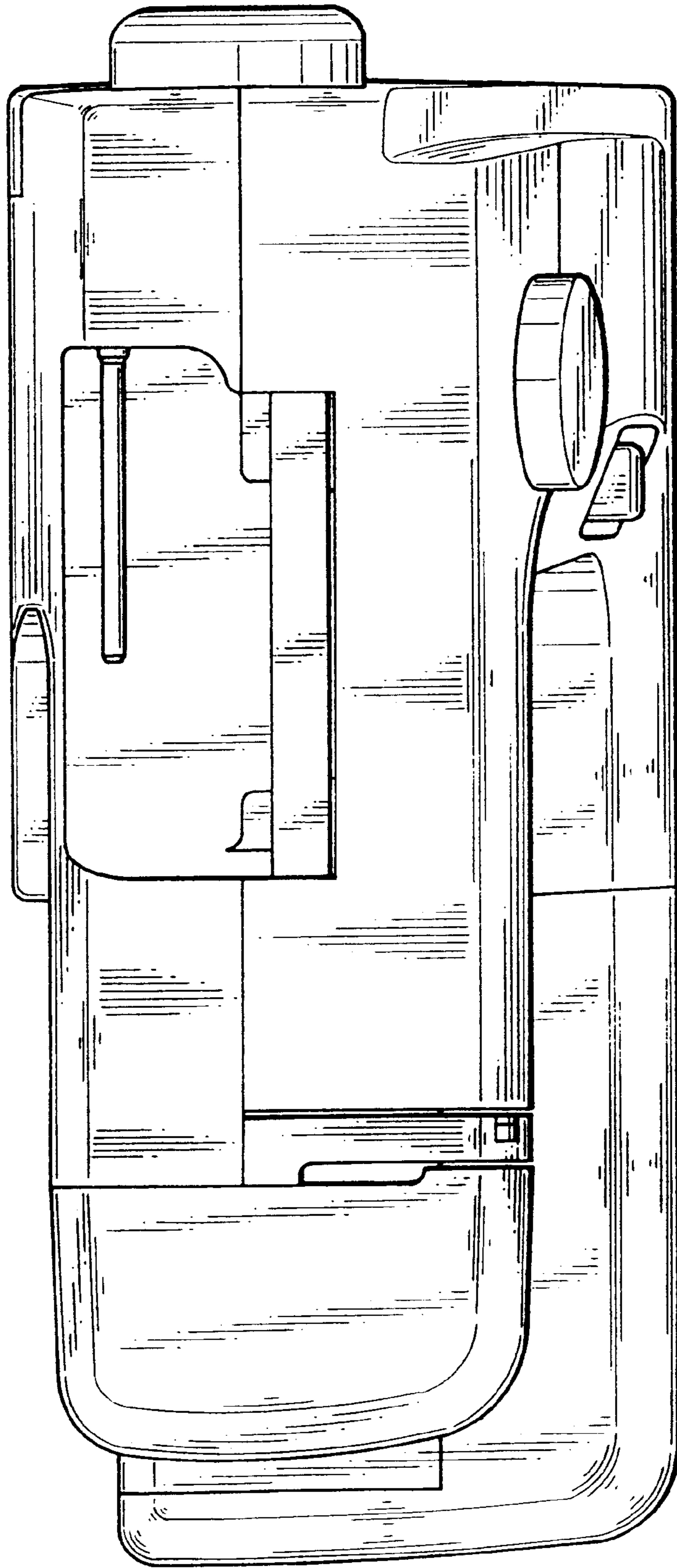


FIG. 5

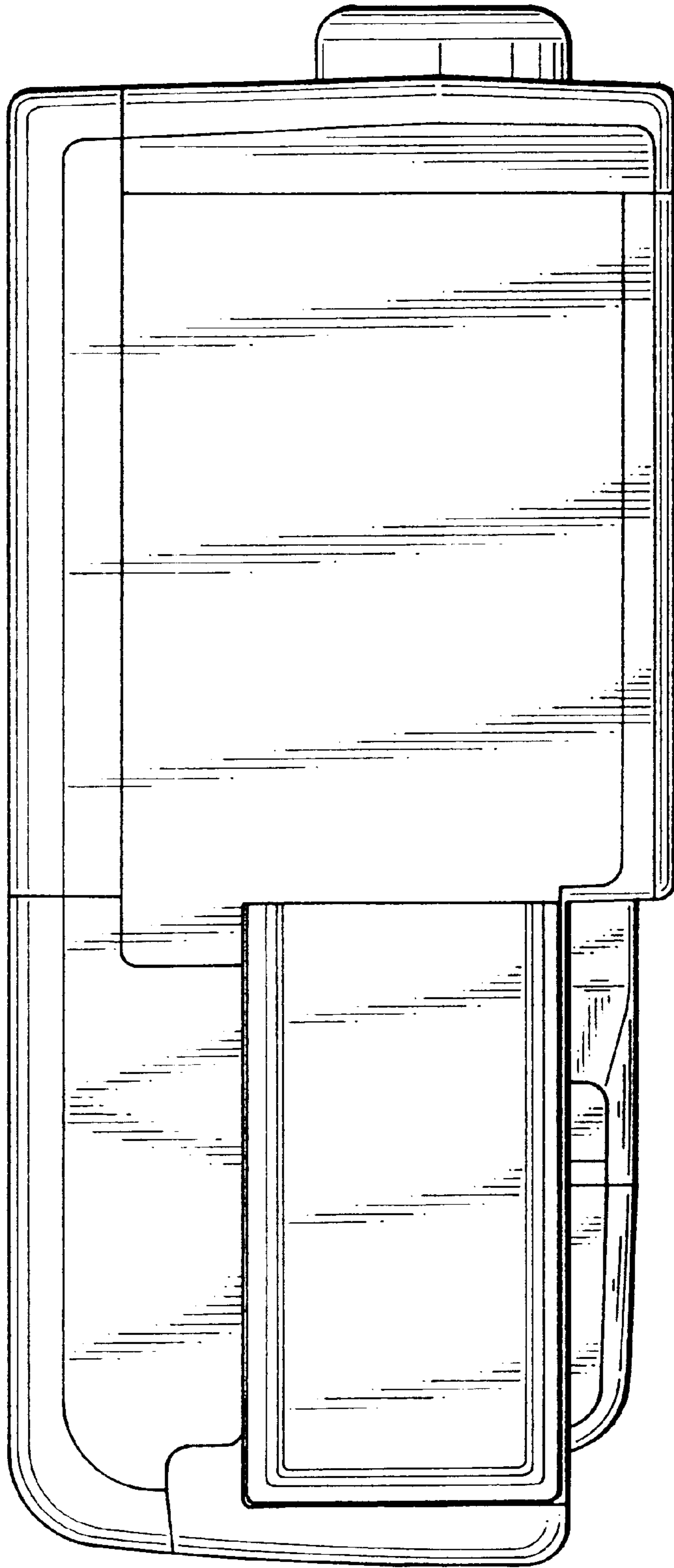


FIG. 7

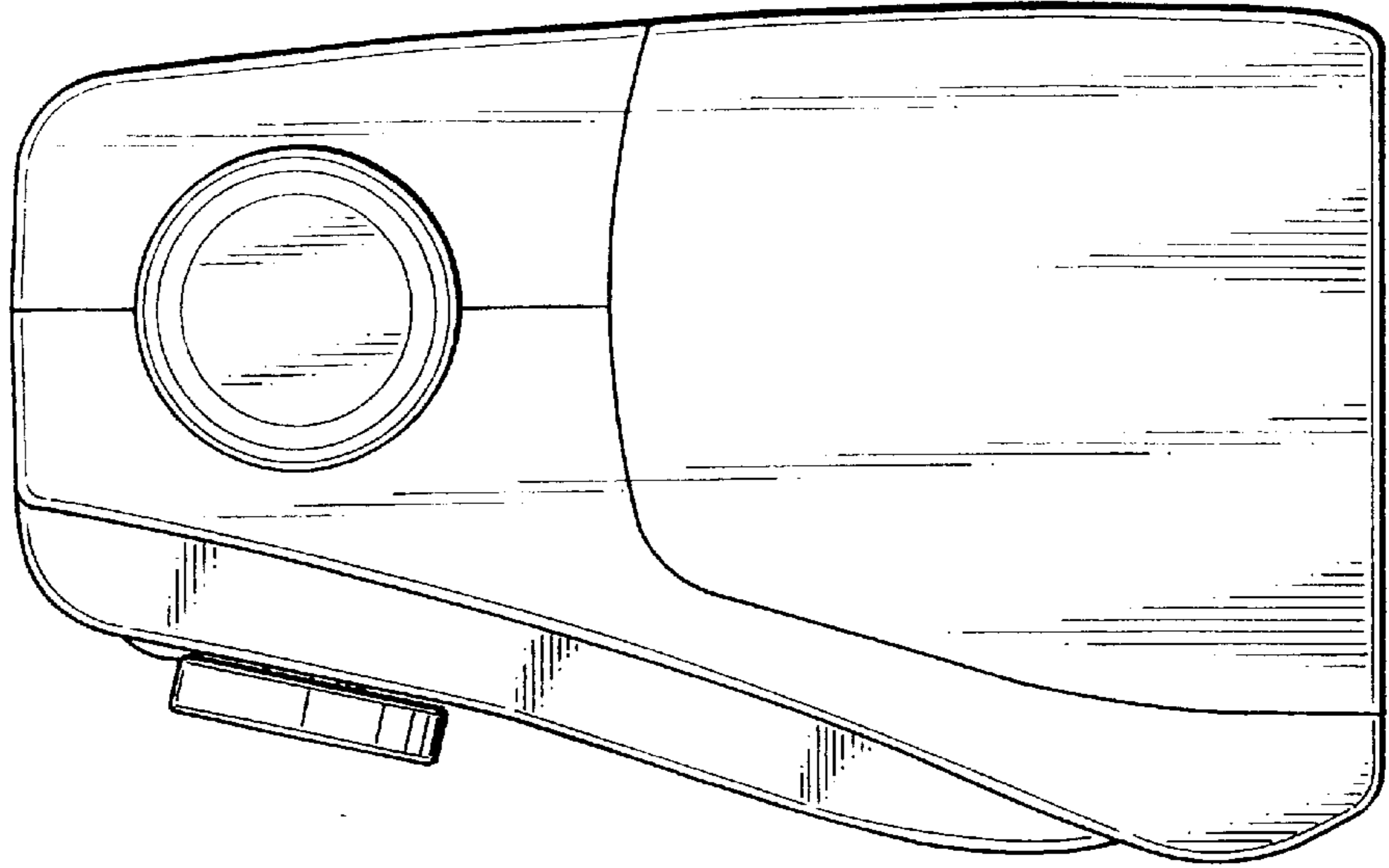


FIG. 6

