



US00D434423S

United States Patent [19] Wang

[11] Patent Number: **Des. 434,423**

[45] Date of Patent: **** Nov. 28, 2000**

[54] **AIR COMPRESSOR**

[75] Inventor: **Ming-Hsien Wang**, Taipei, Taiwan

[73] Assignee: **Coido Corporation**, Tainan Hsien, Taiwan

[**] Term: **14 Years**

[21] Appl. No.: **29/114,444**

[22] Filed: **Nov. 26, 1999**

[51] **LOC (7) Cl.** **15-02**

[52] **U.S. Cl.** **D15/9**

[58] **Field of Search** D15/7-9; 417/234, 417/360, 415, 235; 248/645; D26/38; 410/411

D. 384,081 9/1997 Wang D15/7

D. 385,566 10/1997 Wang D15/9

D. 407,412 3/1999 Wang D15/9

D. 407,413 3/1999 Wang D15/9

D. 409,206 5/1999 Wang D15/9

Primary Examiner—Ralf Seifert

[57] CLAIM

The ornamental design for air compressor, as shown and described.

DESCRIPTION

FIG. 1 is a perspective view of air compressor showing my design;

FIG. 2 is a front elevational view thereof;

FIG. 3 is a rear elevational view thereof;

FIG. 4 is a left side elevational view thereof;

FIG. 5 is a right side elevational view thereof;

FIG. 6 is a top plan view thereof; and,

FIG. 7 is a bottom plan view thereof.

[56] **References Cited**

U.S. PATENT DOCUMENTS

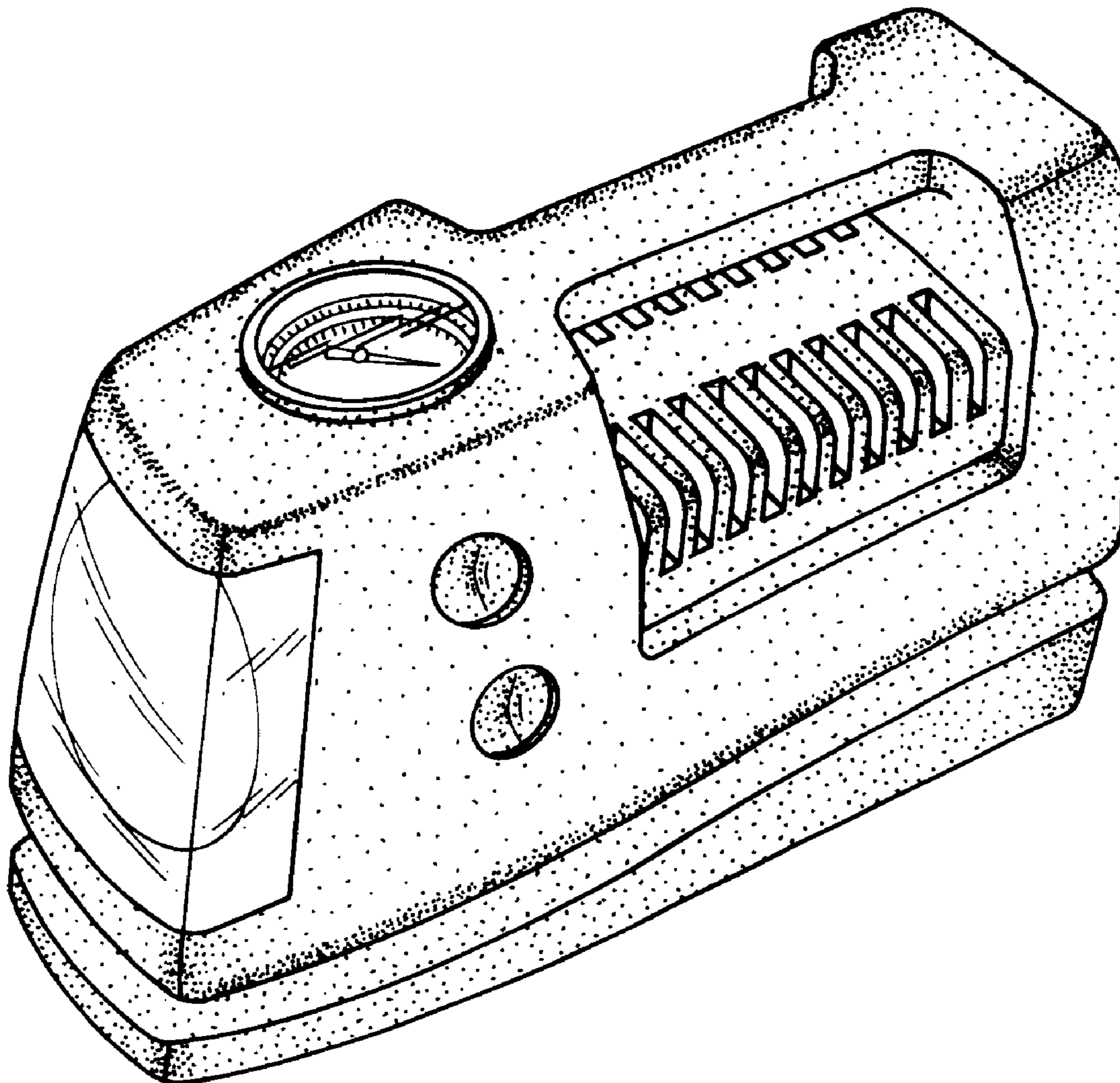
D. 328,305 7/1992 Wong D15/9

D. 340,458 10/1993 Wang D15/7

D. 340,726 10/1993 Wang D15/7

D. 356,800 3/1995 Chen D15/9

1 Claim, 4 Drawing Sheets



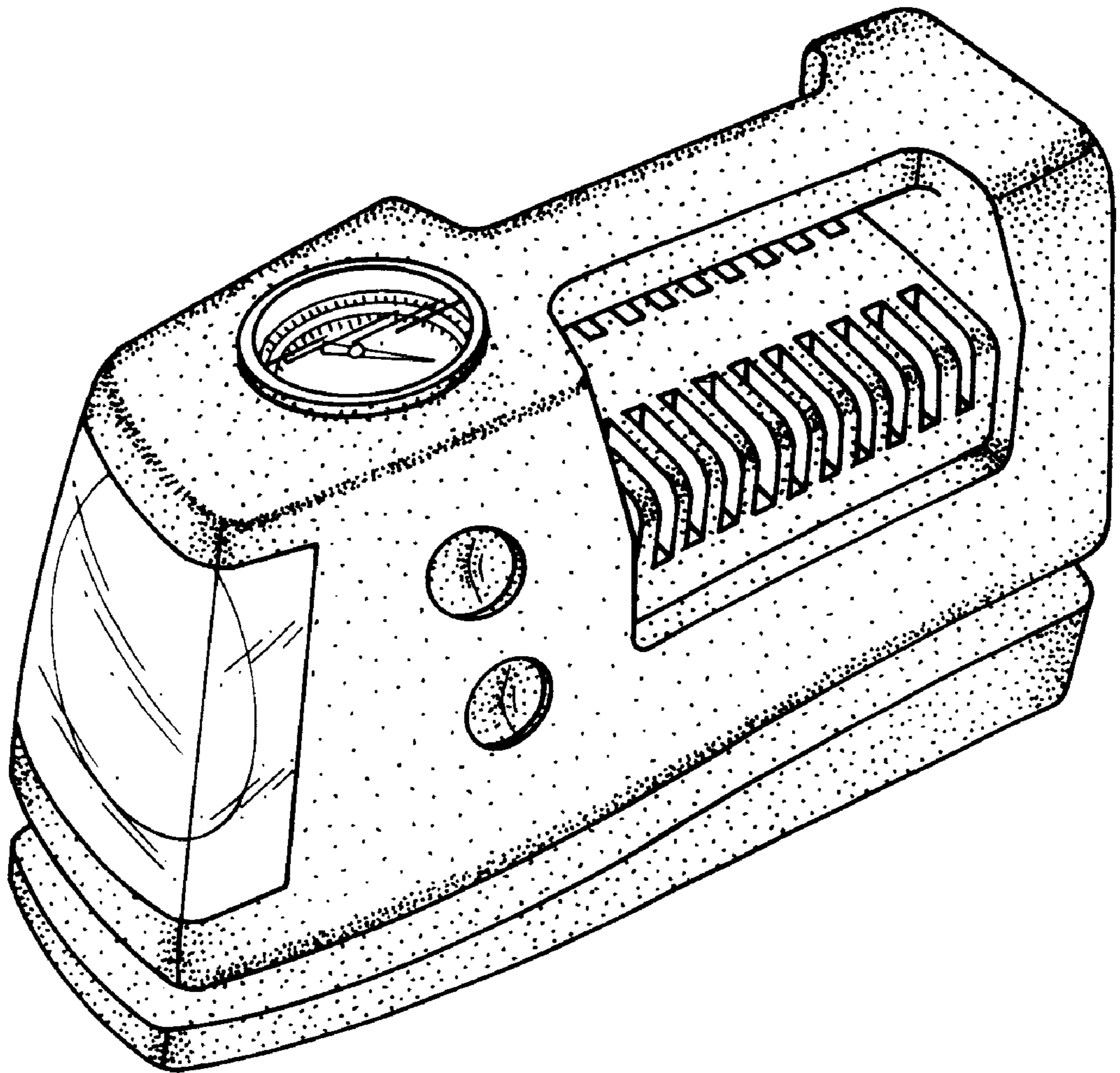


FIG. 1

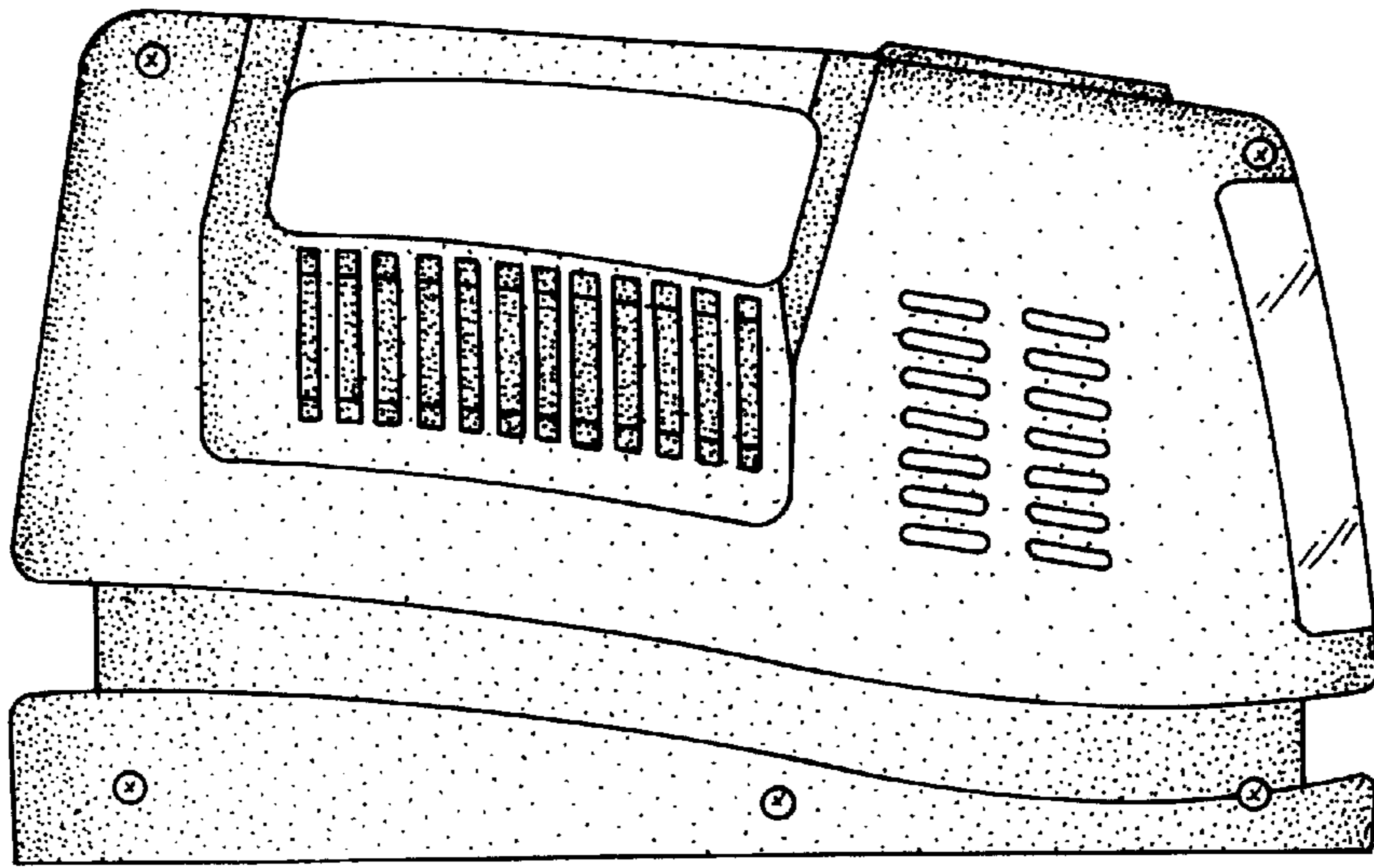


FIG. 2

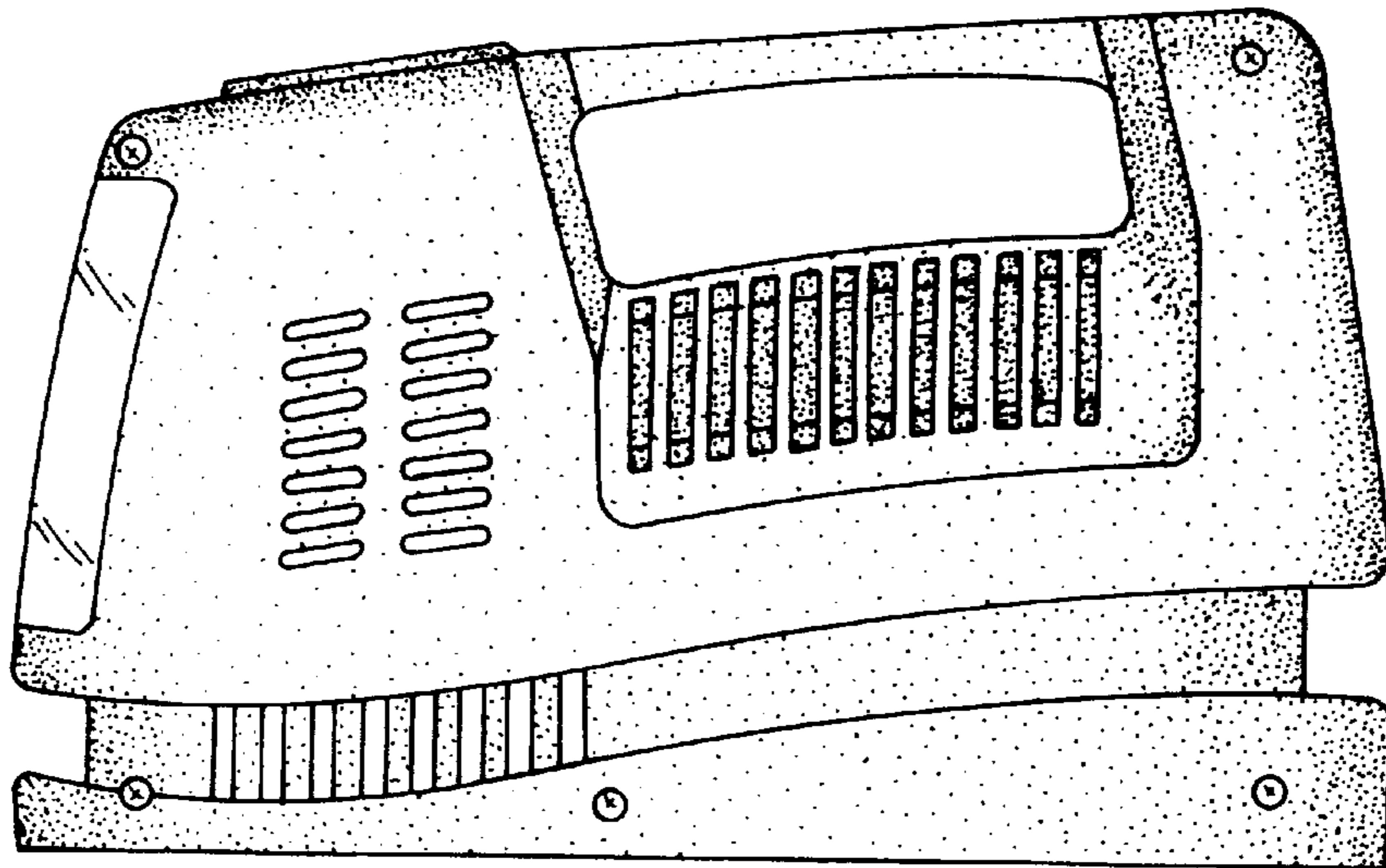


FIG. 3

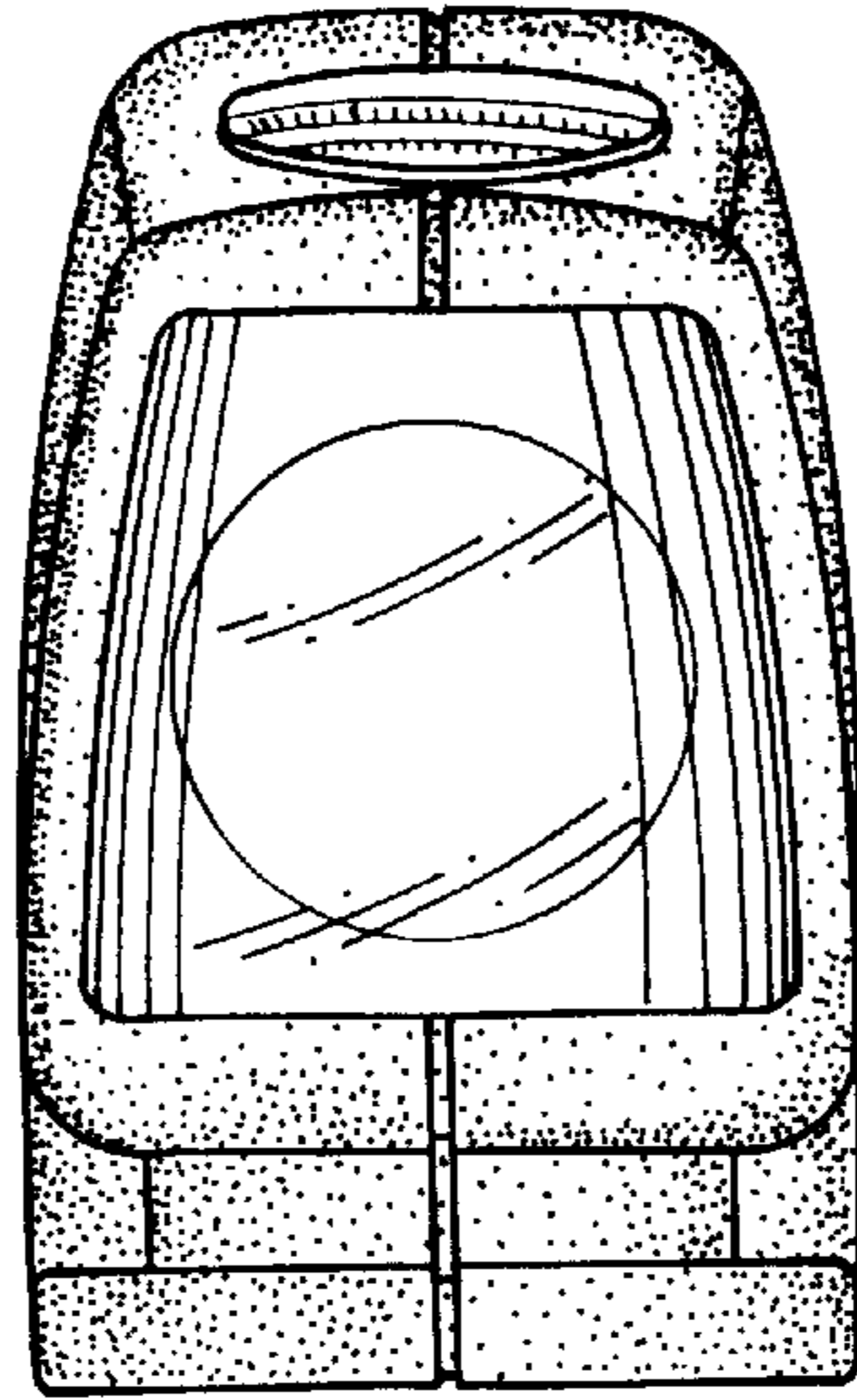


FIG. 4

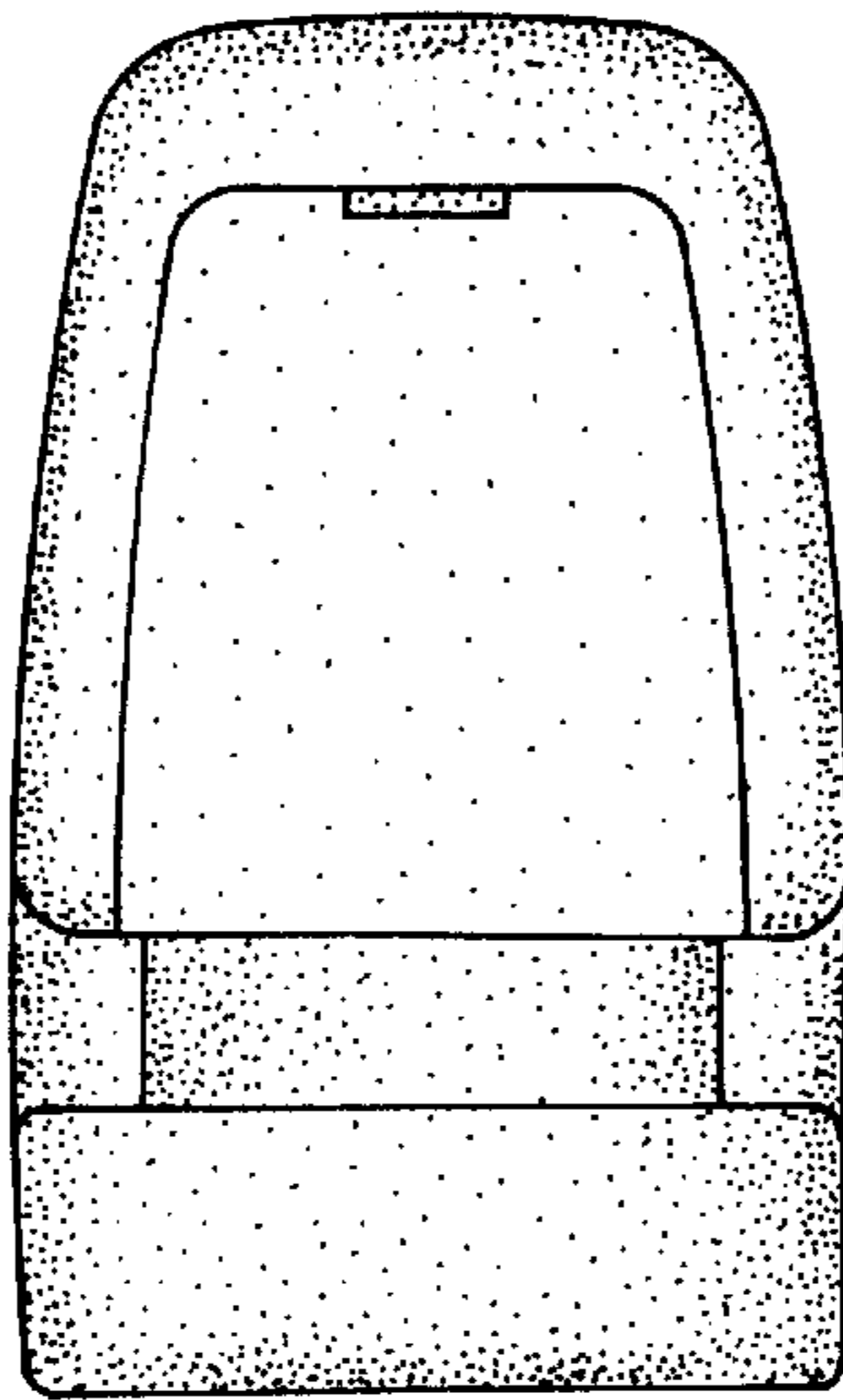


FIG. 5

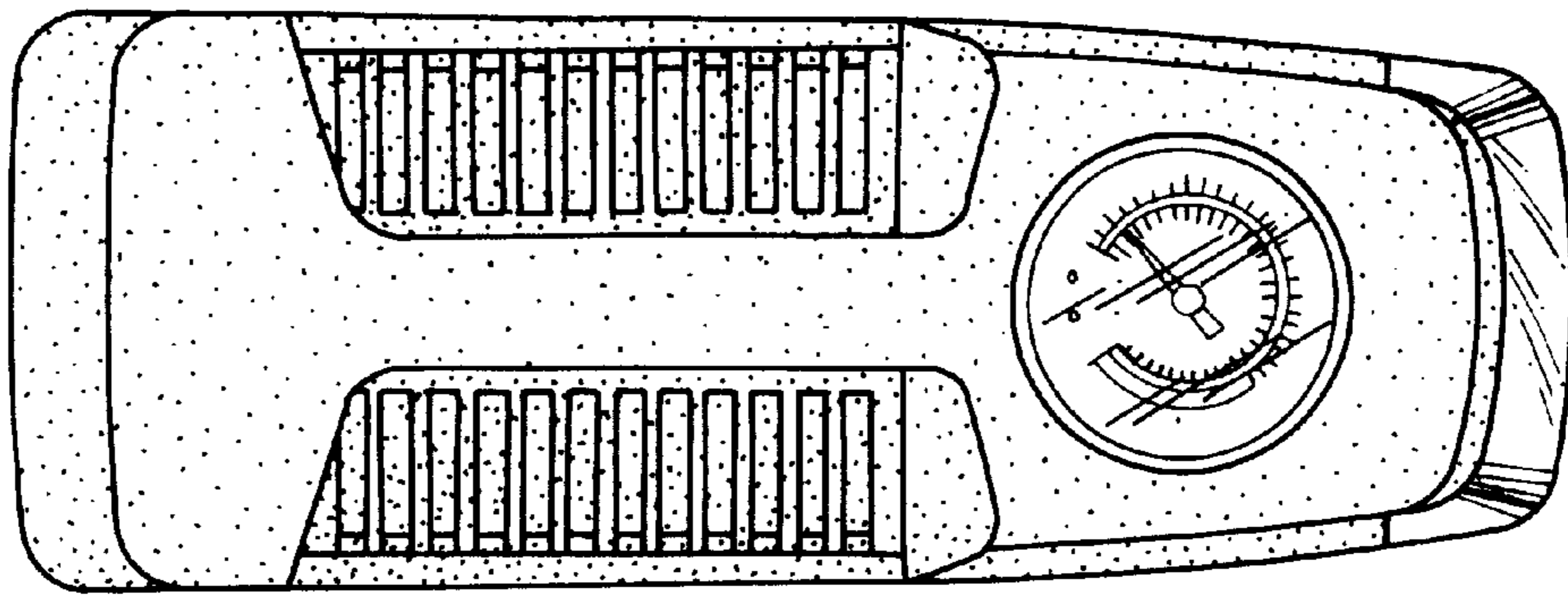


FIG. 6

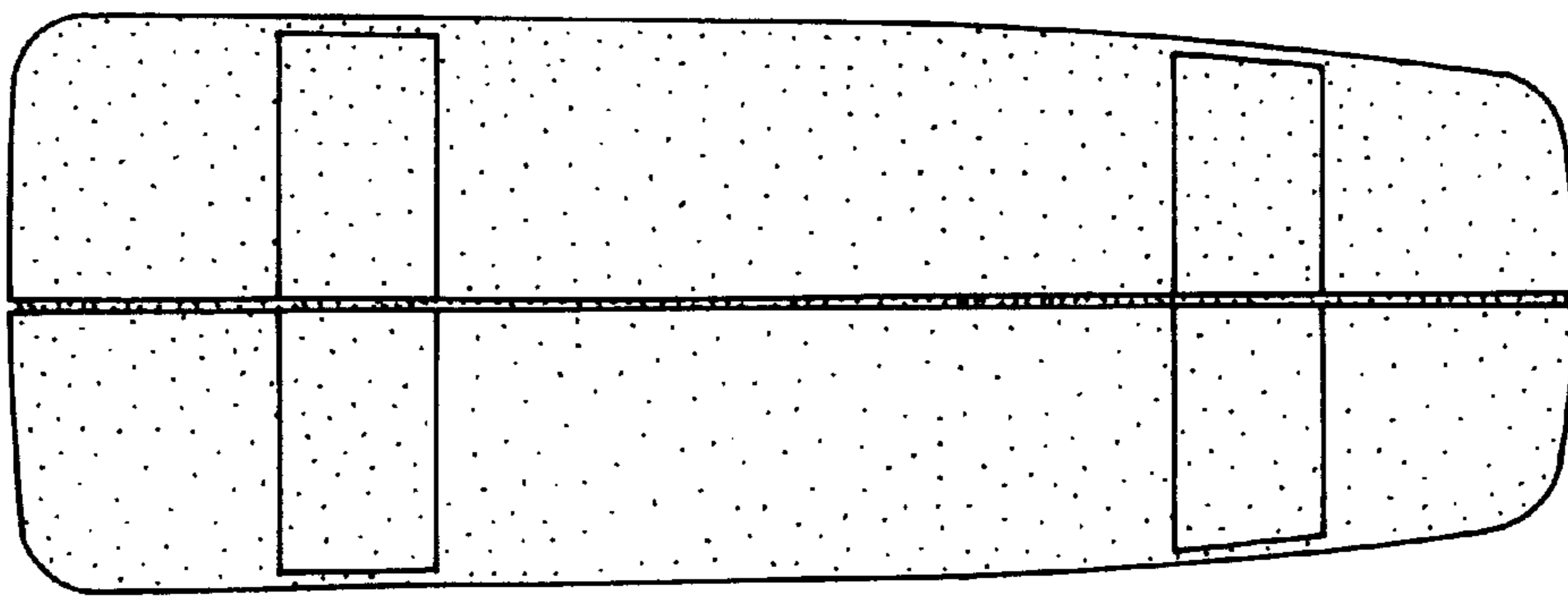


FIG. 7