



US00D434406S

United States Patent [19]
Towle

[11] **Patent Number: Des. 434,406**

[45] **Date of Patent: ** Nov. 28, 2000**

[54] **WIRELESS COMMUNICATION DEVICE FOR HEADSETS**

[76] Inventor: **Lawrence E. Towle**, 14721 Caminito Orense Este, San Diego, Calif. 92129

[**] Term: **14 Years**

[21] Appl. No.: **29/115,113**

[22] Filed: **Dec. 8, 1999**

[51] **LOC (7) Cl.** **14-03**

[52] **U.S. Cl.** **D14/192; D14/155; D14/188**

[58] **Field of Search** D10/104, 106; D14/155, 188, 192, 205, 206, 217, 223, 224; 181/129, 130, 132; 381/150, 385

[56] **References Cited**

U.S. PATENT DOCUMENTS

D. 222,647	11/1971	Kam	D14/155
D. 268,675	4/1983	Hass	D14/192
D. 316,550	4/1991	Sogabe	D14/192 X
D. 334,043	3/1993	Taniguchi et al.	D14/205
D. 395,653	6/1998	Read et al.	D14/206 X
4,864,646	9/1989	Nesbit et al.	D14/192 X

Primary Examiner—Nanda Bondade
Attorney, Agent, or Firm—Foley & Lardner; Bernard L. Kleinke

[57] **CLAIM**

The ornamental design for a wireless communication device for headsets, as shown and described.

DESCRIPTION

FIG. 1 is a pictorial view of a wireless communication device for headsets illustrating the bottom, right and front sides thereof;

FIG. 2 is a plan view of the top side of the wireless communication device for headsets of FIG. 1;

FIG. 3 is an elevational view of the front side of the wireless communication device for headsets of FIG. 1;

FIG. 4 is an elevational view of the right side of the wireless communication device for headsets of FIG. 1;

FIG. 5 is an elevational view of the left side of the wireless communication device for headsets of FIG. 1;

FIG. 6 is an elevational view of the rear side of the wireless communication device for headsets of FIG. 1;

FIG. 7 is a plan view of the bottom side of the wireless communication device for headsets of FIG. 1;

FIG. 8 is a face view of the wireless communication device for headsets taken along the lines 8—8 of FIG. 3; and,

FIG. 9 is a face view of the wireless communication device for headsets taken along the lines of 9—9 of FIG. 3.

The broken line showing on FIG. 1 is for illustrative purposes only and forms no part of the claimed design.

1 Claim, 5 Drawing Sheets

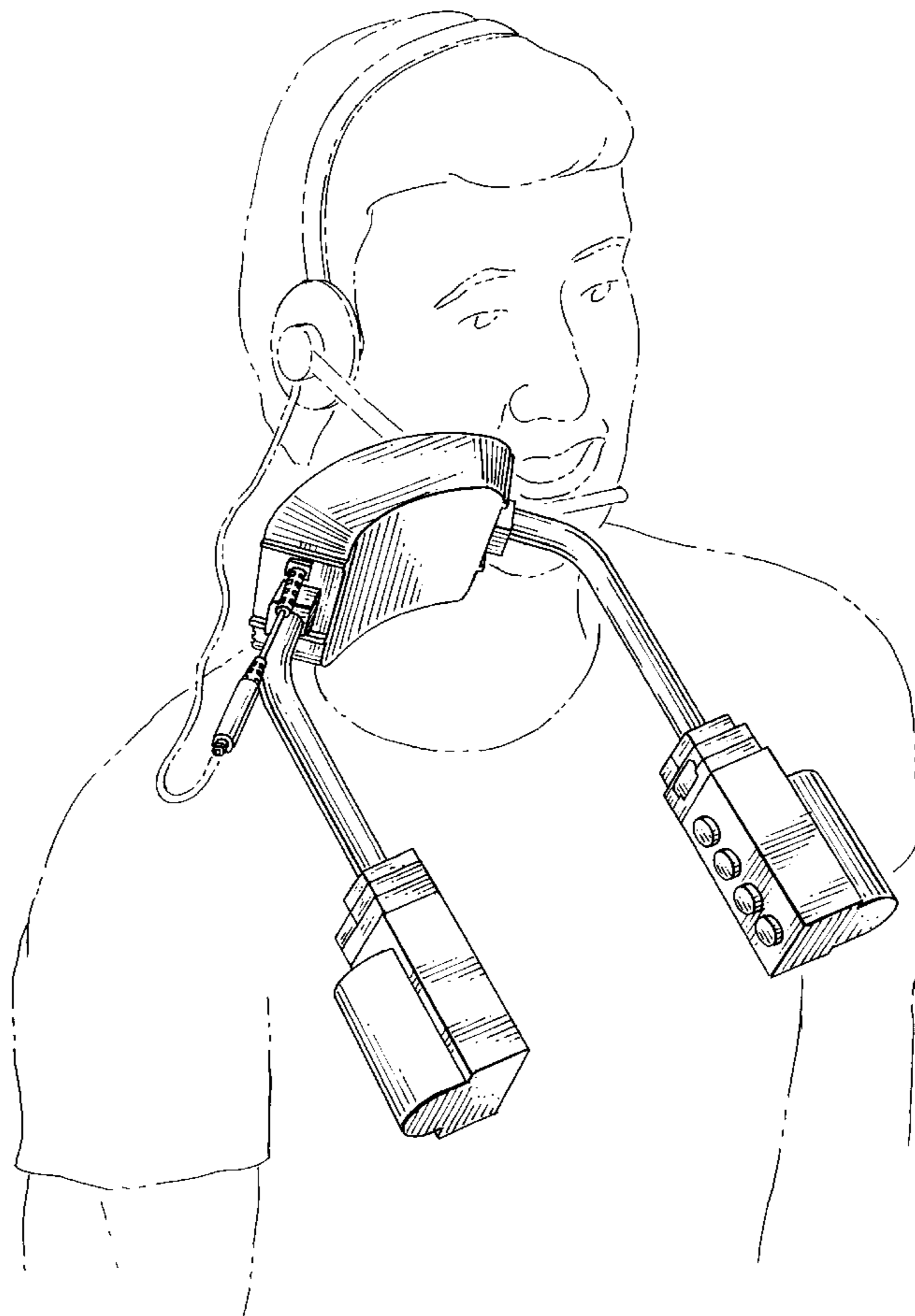


FIG. 1

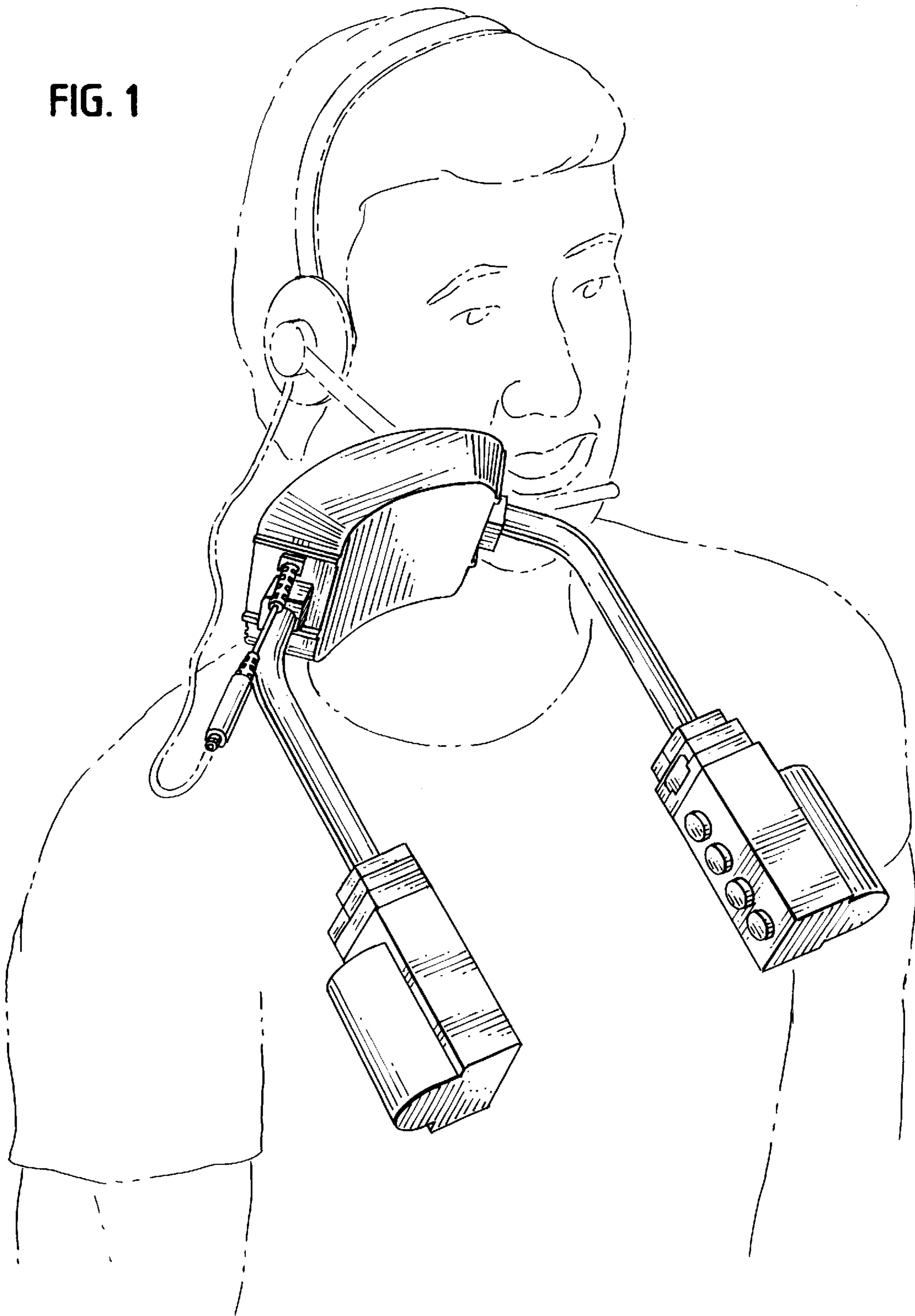


FIG. 2

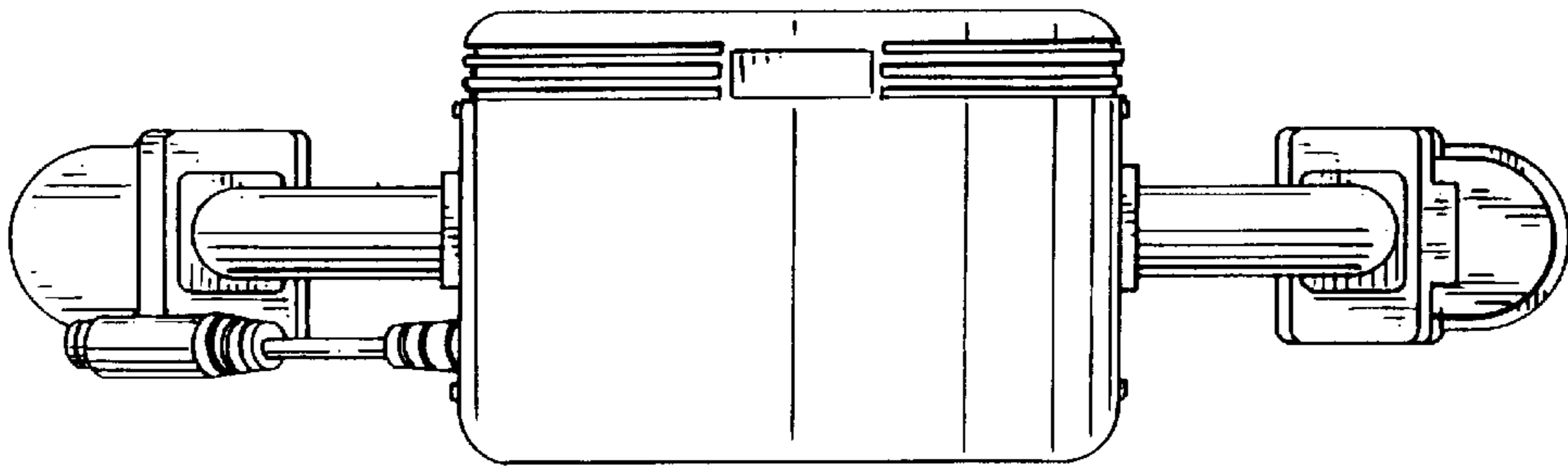


FIG. 3

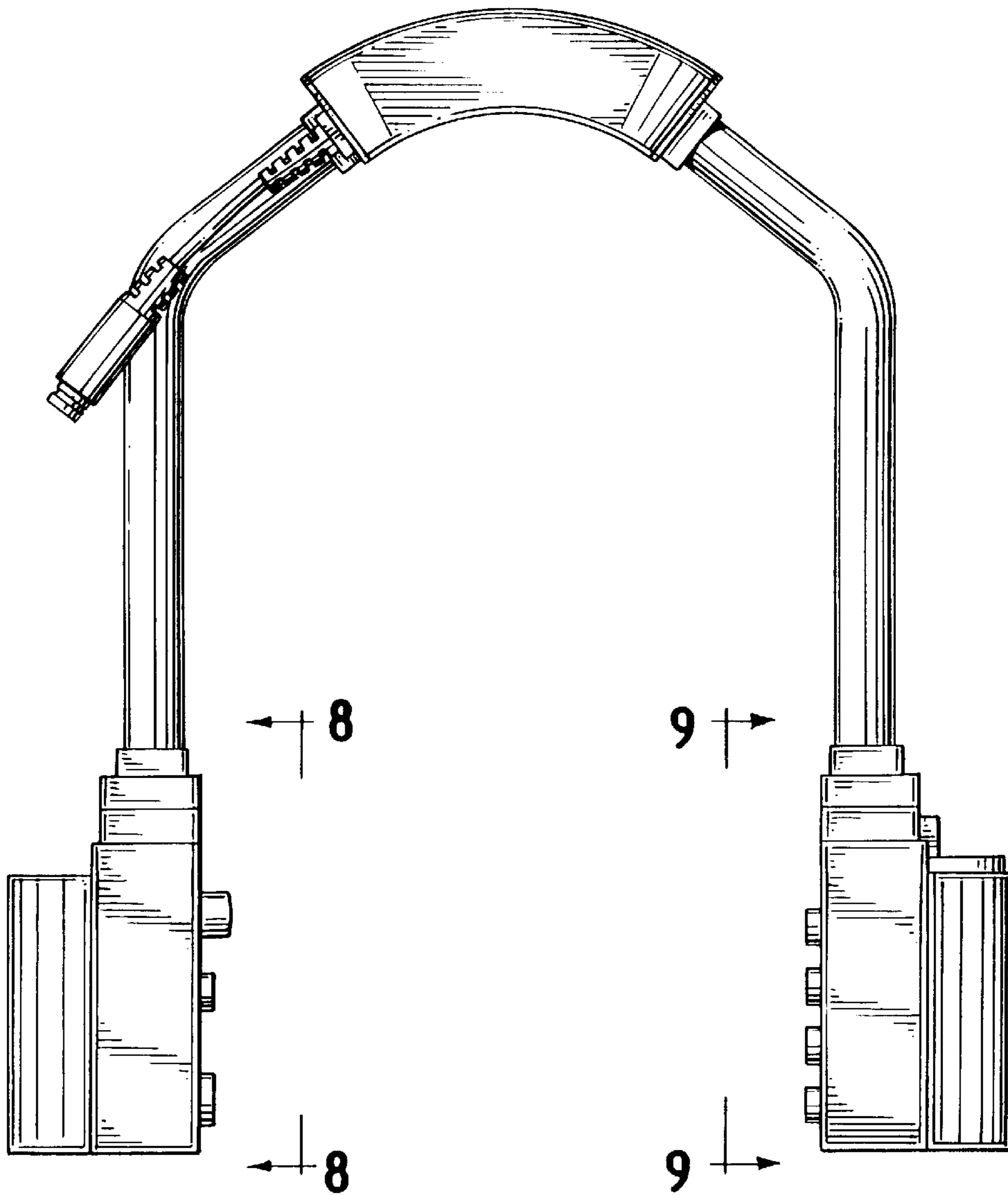


FIG. 4

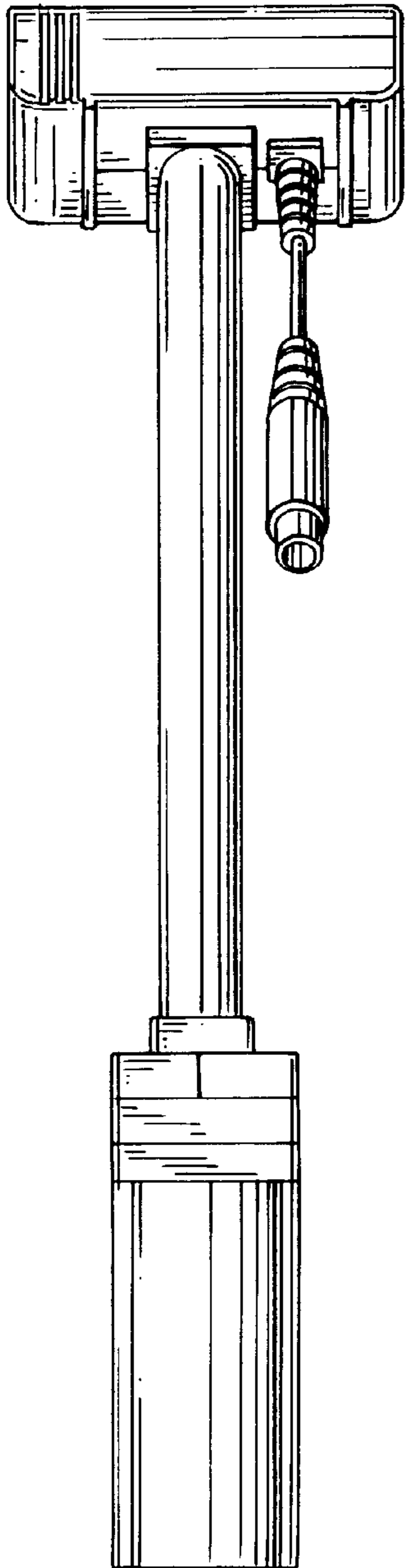


FIG. 5

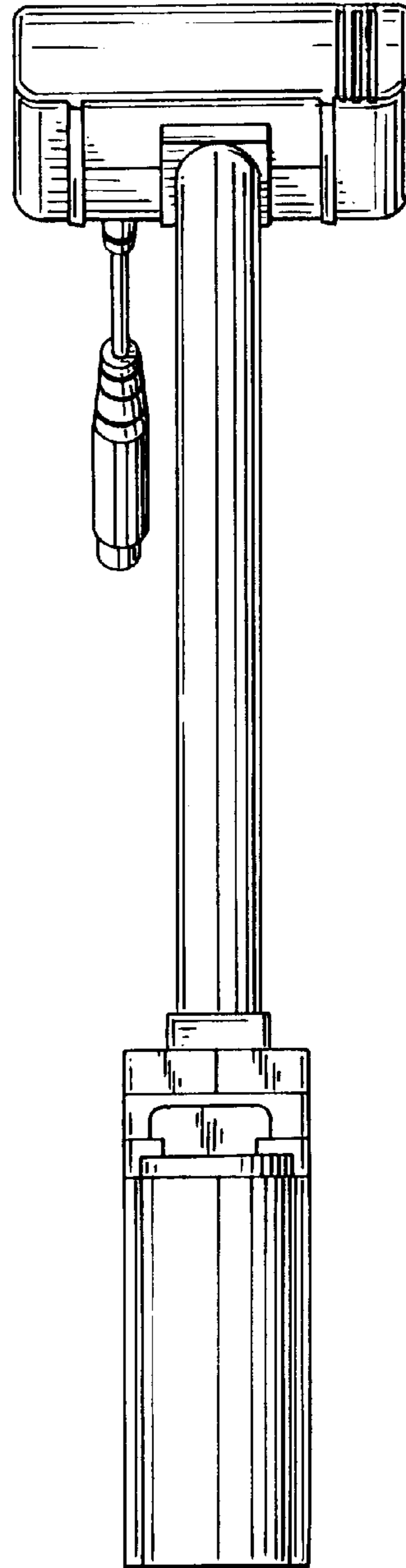


FIG. 6

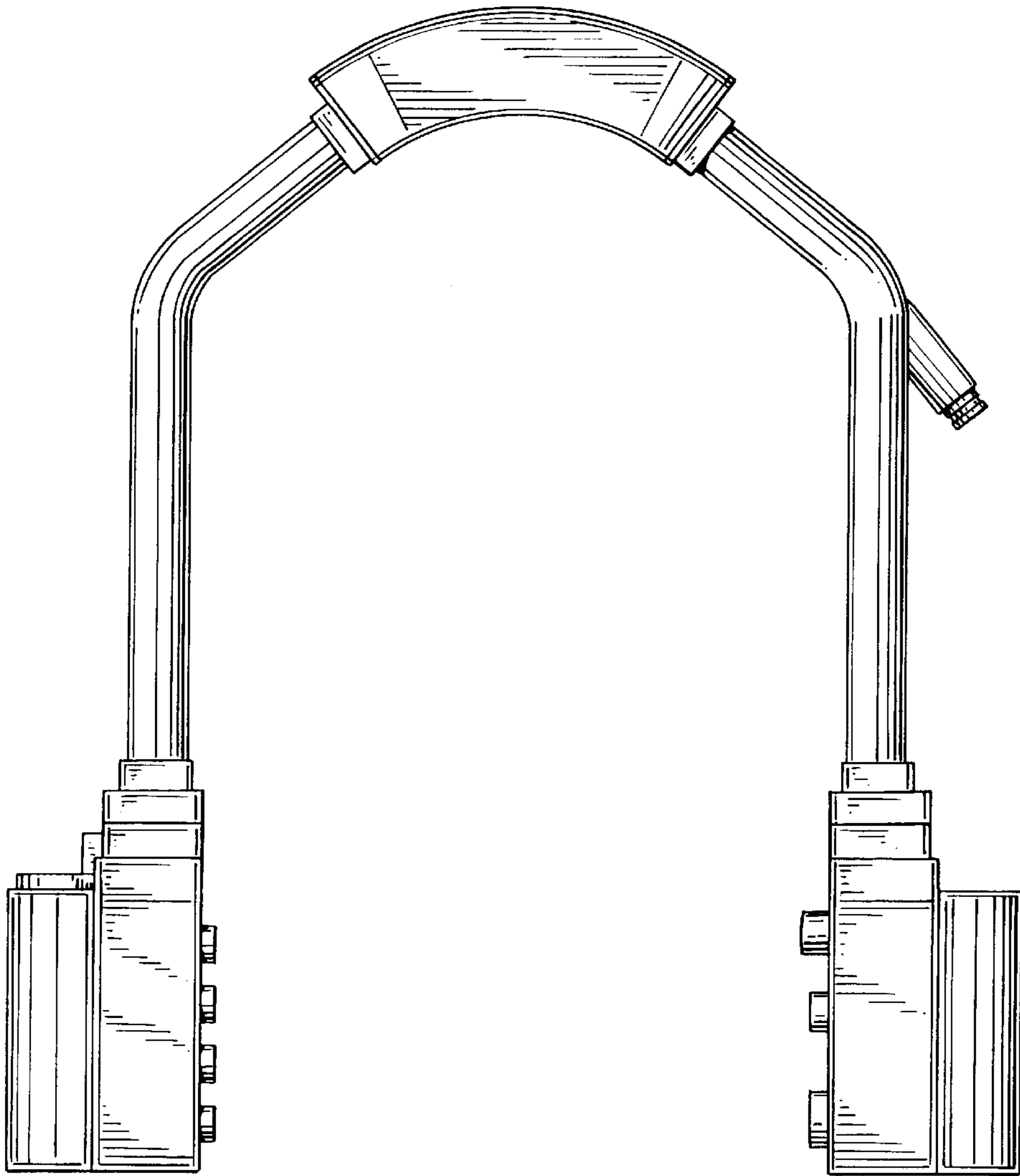


FIG. 7

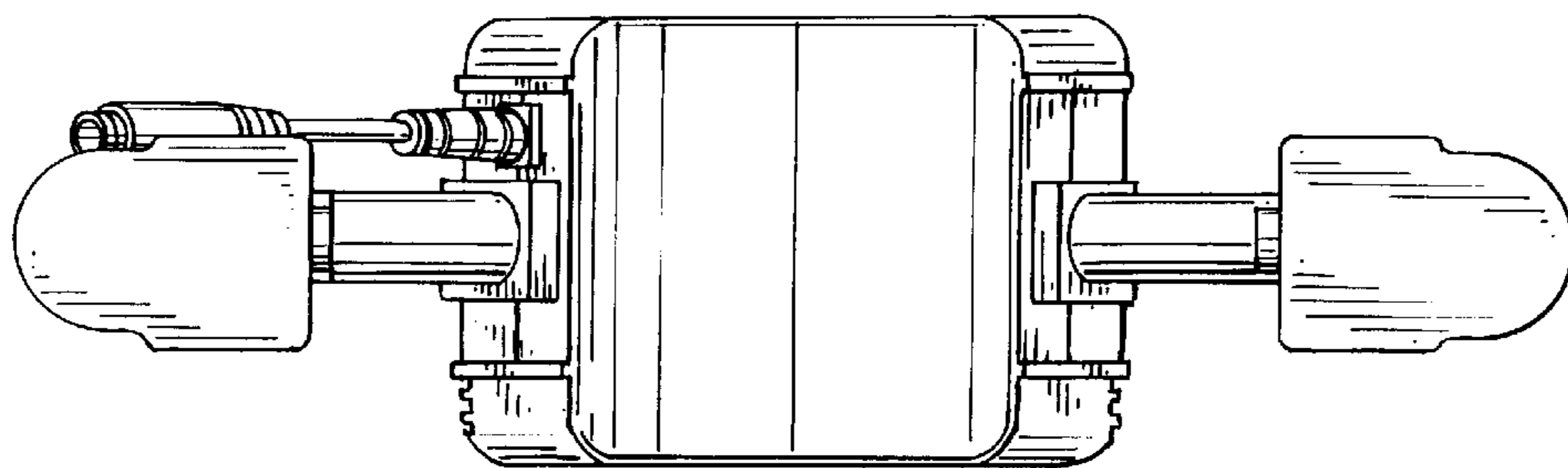


FIG. 8

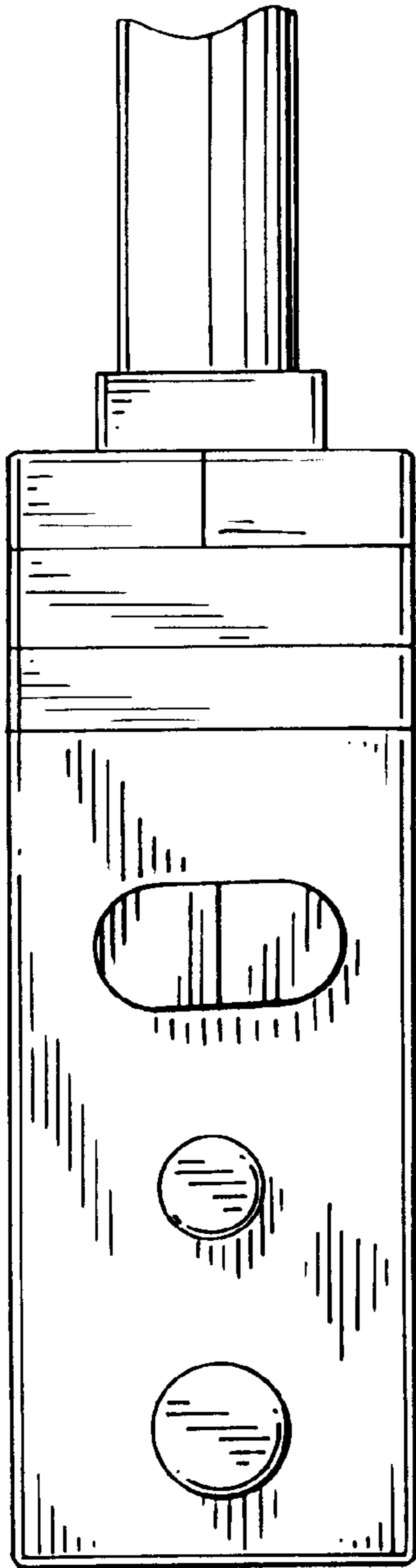


FIG. 9

