



US00D434400S

United States Patent [19] Rosen

[11] **Patent Number: Des. 434,400**

[45] **Date of Patent: ** Nov. 28, 2000**

[54] **RETRACTABLE MONITOR**

[75] Inventor: **John B. Rosen**, Eugene, Oreg.

[73] Assignee: **Rosen Products LLC**, Eugene, Oreg.

[**] Term: **14 Years**

[21] Appl. No.: **29/096,540**

[22] Filed: **Nov. 13, 1998**

5,195,709 3/1993 Yasushi .
5,311,302 5/1994 Berry et al. .
5,362,144 11/1994 Shioya et al. .
5,547,248 8/1996 Marechal .

Primary Examiner—Richelle Shelton
Attorney, Agent, or Firm—Kolisch, Hartwell, Dickinson,
McCormack & Heuser

Related U.S. Application Data

[60] Continuation of application No. 29/085,368, Mar. 20, 1998,
Pat. No. Des. 410,458, which is a division of application No.
29/068,971, Apr. 21, 1997, Pat. No. Des. 394,432.

[51] **LOC (7) Cl.** **14-03**

[52] **U.S. Cl.** **D14/132**

[58] **Field of Search** D14/126-134,
D14/371, 374, 375; 312/7.2; 348/148, 825,
827, 836, 837; 248/917-924

[56] References Cited

U.S. PATENT DOCUMENTS

- D. 299,491 1/1989 Masuda .
- D. 332,715 1/1993 Sedighzadeh et al. .
- D. 391,926 3/1998 Brunner et al. D14/132 X
- D. 394,432 5/1998 Rosen .
- D. 410,458 6/1999 Rosen .
- 4,630,821 12/1986 Greenwald .
- 4,836,486 6/1989 Vossoughi et al. .
- 4,843,477 6/1989 Mizutani et al. .
- 5,076,524 12/1991 Reh et al. .
- 5,096,271 3/1992 Portman .
- 5,145,128 9/1992 Umeda .
- 5,161,028 11/1992 Kawata et al. .
- 5,177,616 1/1993 Riday .
- 5,179,447 1/1993 Lain .

[57] CLAIM

The ornamental design for a retractable monitor, as shown and described.

DESCRIPTION

FIG. 1 is an isometric view of a retractable monitor constructed in accordance with the invention, the monitor environment being shown in dashed lines with the monitor in a display orientation;

FIG. 2 is an isometric view similar to that of FIG. 1, but showing the monitor from the top and in a stowed orientation;

FIG. 3 is a left-side view of the monitor as shown in FIG. 2; FIG. 4 is a right-side view of the monitor as shown in FIG. 2;

FIG. 5 is a rear view of the monitor as shown in FIG. 2; FIG. 6 is a front view of the monitor as shown in FIG. 2; FIG. 7 is a top plan view of the monitor as shown in FIG. 2; and,

FIG. 8 is a bottom plan view of the monitor as shown in FIG. 2.

The broken line showing of areas and of edges in FIGS. 1-8 of unclaimed subject matter is for illustrative purposes only and forms no part of the claimed design.

The surfaces or portions of the article not shown in the drawing or described in the specification form no part of the claimed design.

1 Claim, 3 Drawing Sheets

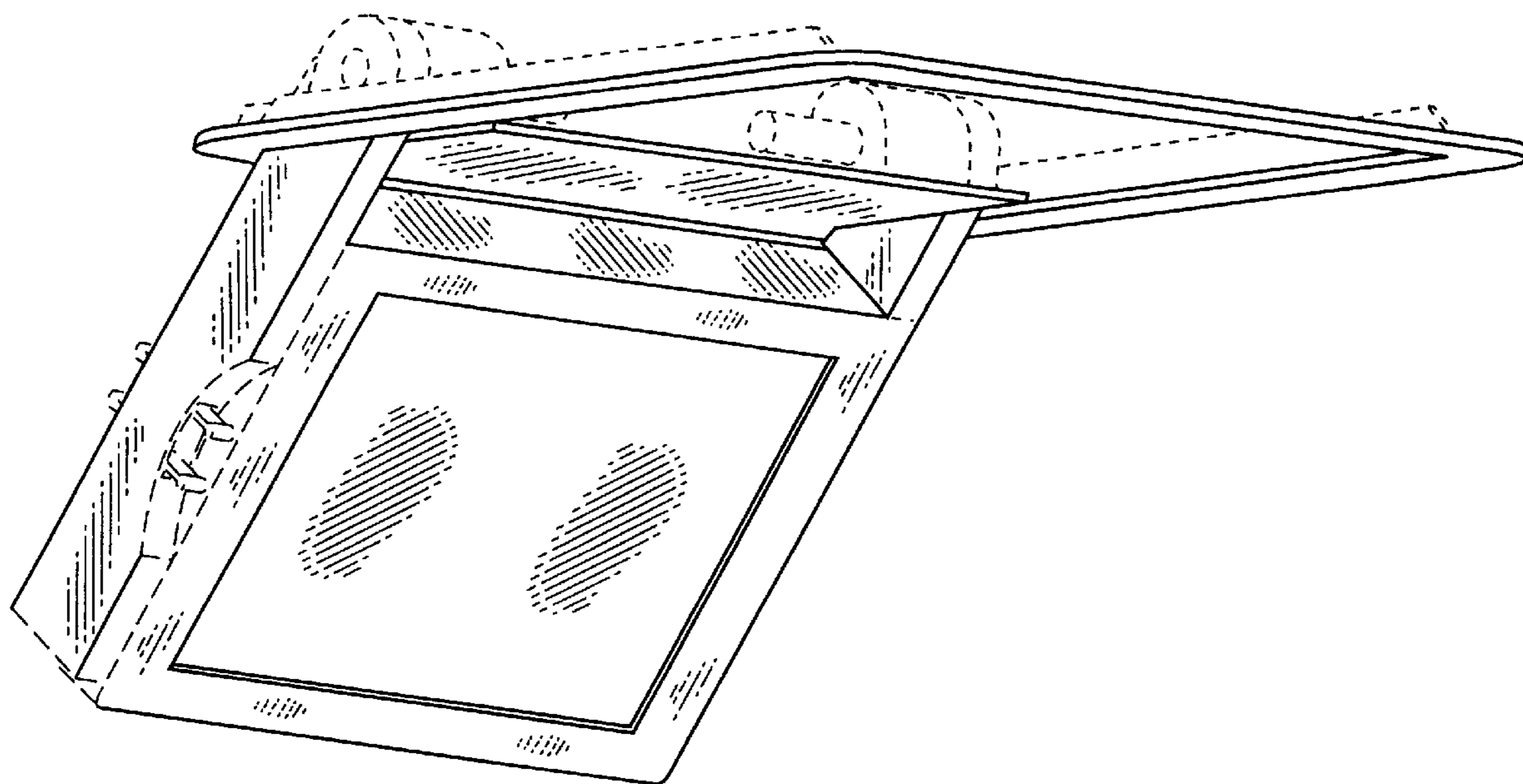


FIG. 1

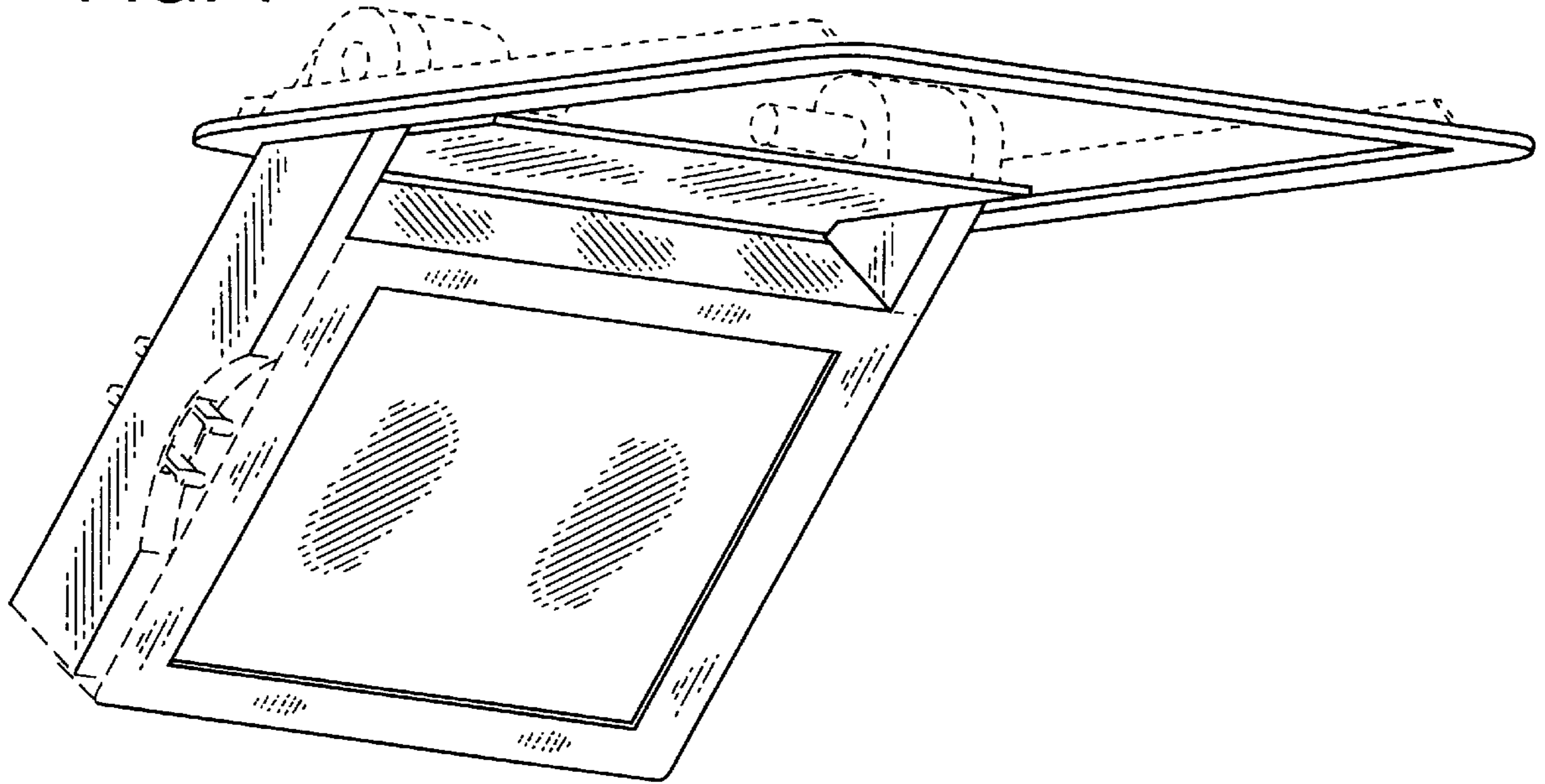


FIG. 2

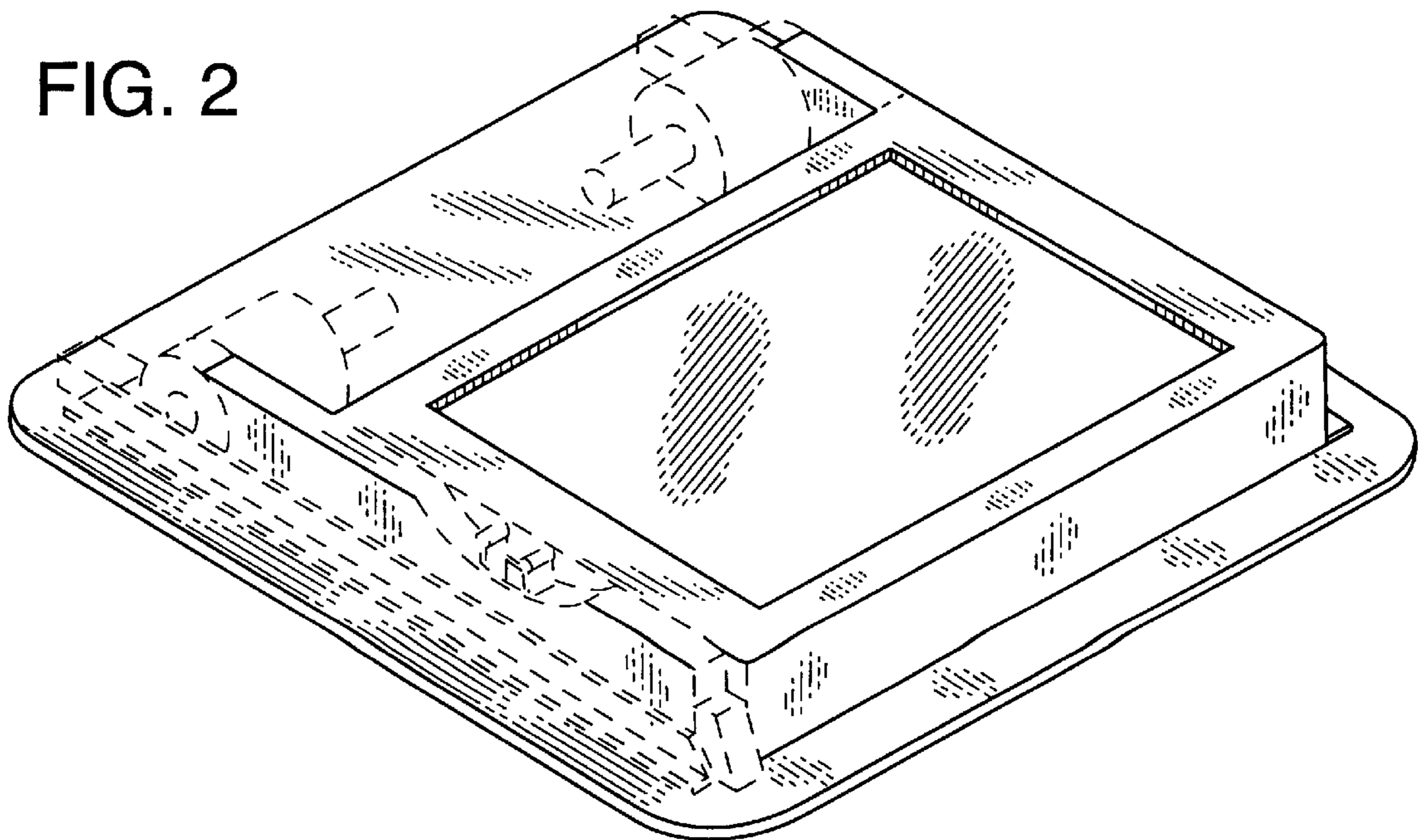


FIG. 3

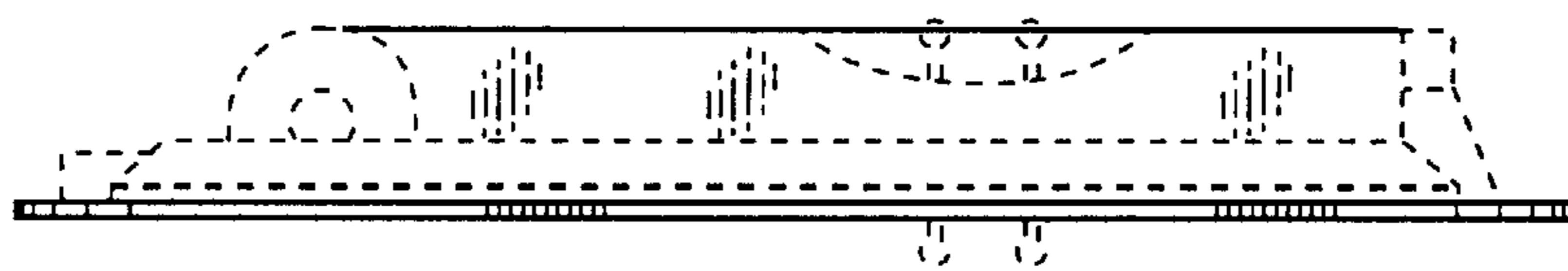


FIG. 4

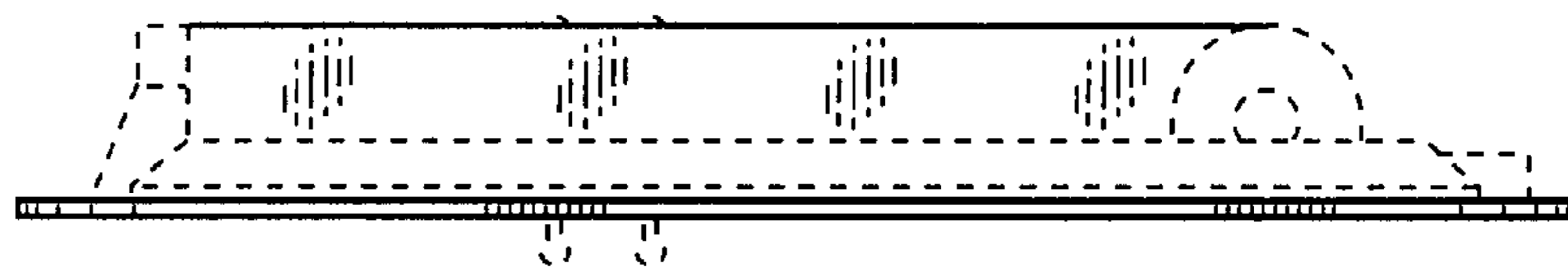


FIG. 5

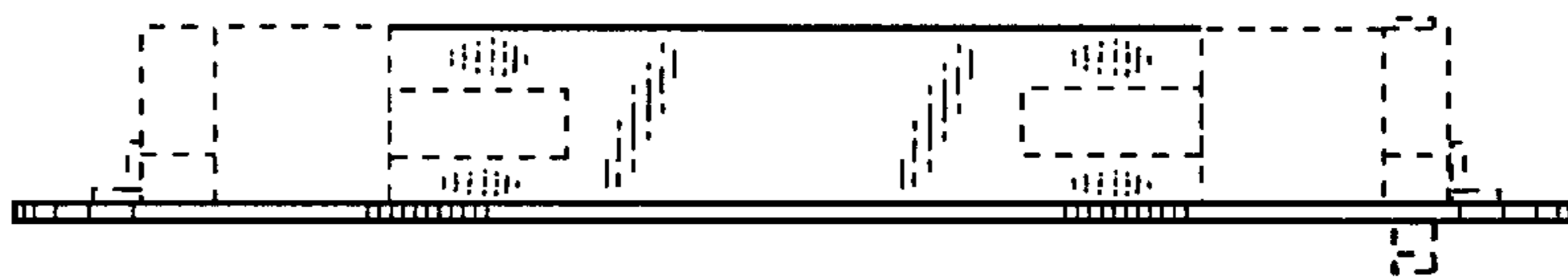


FIG. 6

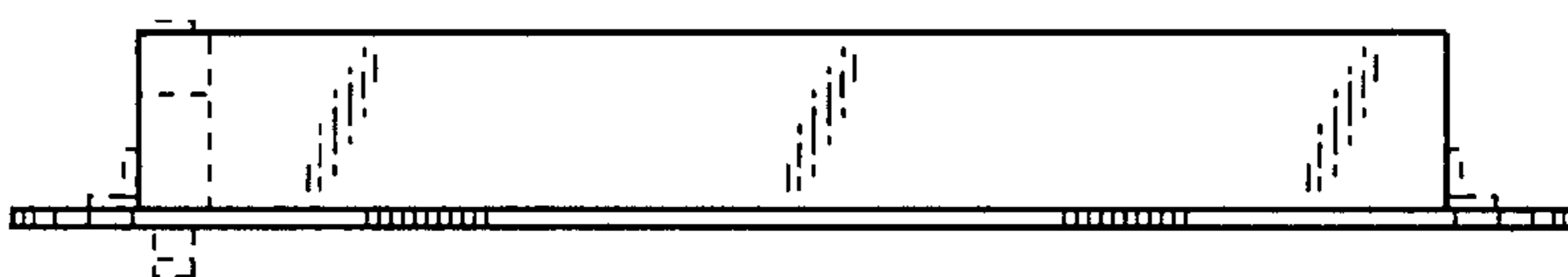


FIG. 7

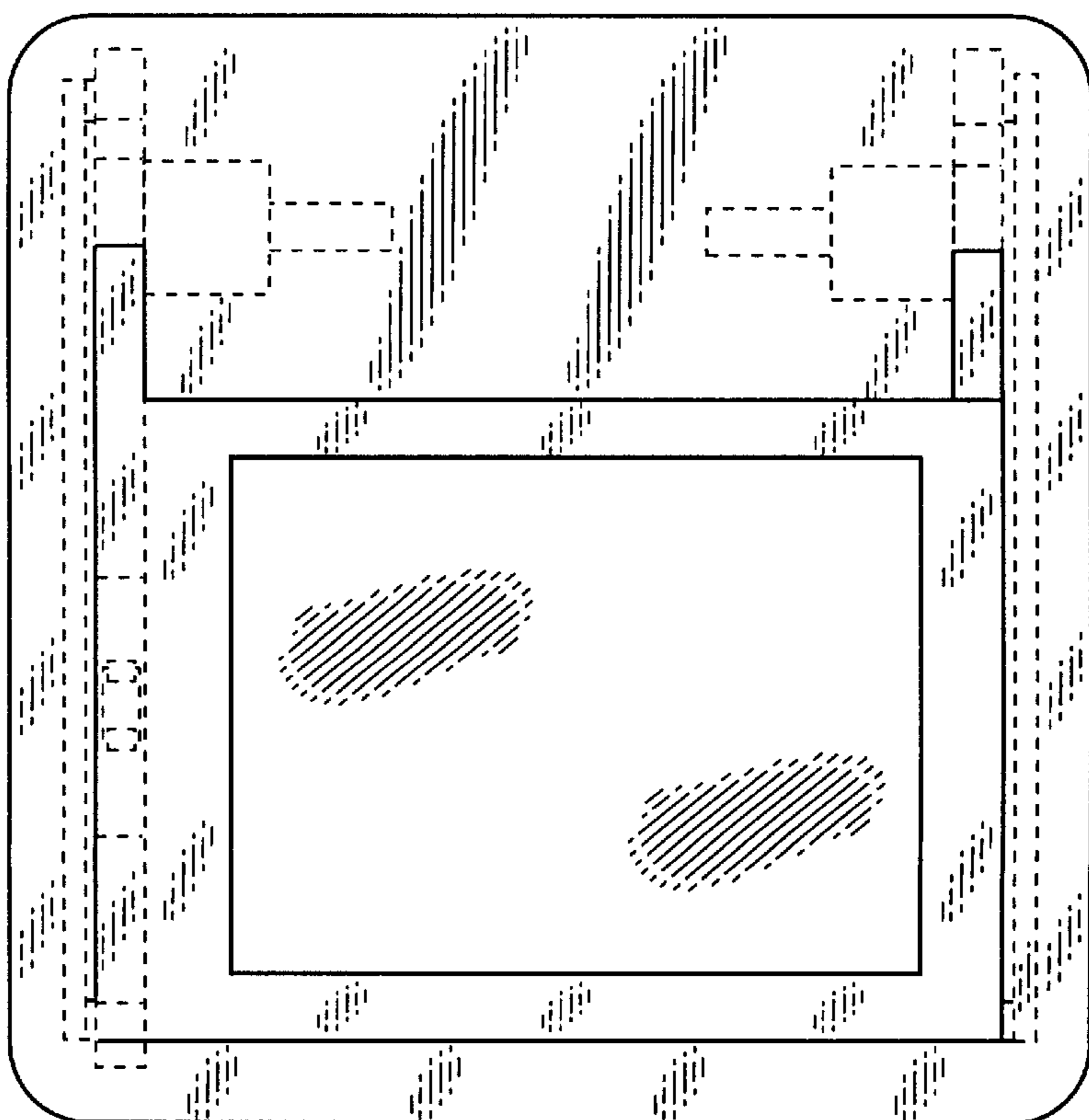


FIG. 8

