



US00D434398S

United States Patent [19]

Takami et al.

[11] Patent Number: Des. 434,398

[45] Date of Patent: ** Nov. 28, 2000

[54] **COMBINED TELEVISION RECEIVER AND DIGITAL VIDEO DISK PLAYER**

[75] Inventors: **Mitsuru Takami; Satoshi Tanigawa; Muneyuki Nagai**, all of Osaka, Japan

[73] Assignee: **Matsushita Electric Industrial Co., Ltd.**, Japan

[**] Term: **14 Years**

[21] Appl. No.: **29/113,757**

[22] Filed: **Nov. 10, 1999**

[30] **Foreign Application Priority Data**

May 26, 1999 [JP] Japan 11-13797

[51] **LOC (7) Cl.** **14-03**

[52] **U.S. Cl.** **D14/129**

[58] **Field of Search** D14/113, 126-134; 312/7.2; 348/836, 838, 552; 386/125, 126; 369/75.1, 77.1, 77.2

[56] **References Cited**

U.S. PATENT DOCUMENTS

- D. 351,835 10/1994 Kawamoto et al. D14/129
- D. 354,485 1/1995 Maeno et al. D14/129

D. 416,014 11/1999 Nara D14/129

Primary Examiner—Richelle Shelton
Attorney, Agent, or Firm—SAIDMAN DesignLaw Group

[57] **CLAIM**

The ornamental design for a combined television receiver and digital video disk player, as shown and described.

DESCRIPTION

FIG. 1 is a perspective view of the top, front and right side of a combined television receiver and digital video disk player showing our new design; FIG. 2 is a front view thereof; FIG. 3 is a right side view thereof; FIG. 4 is a top plan view thereof; FIG. 5 is a bottom view thereof; FIG. 6 is a rear view thereof; FIG. 7 is a left side view thereof; FIG. 8 is a perspective reference view in the condition of the display being inclined; and, FIG. 9 is a perspective reference view in the condition of the disk tray being drawn out.

The surfaces or portions of the article not shown in the drawing or described in the specification form no part of the claimed design.

1 Claim, 6 Drawing Sheets

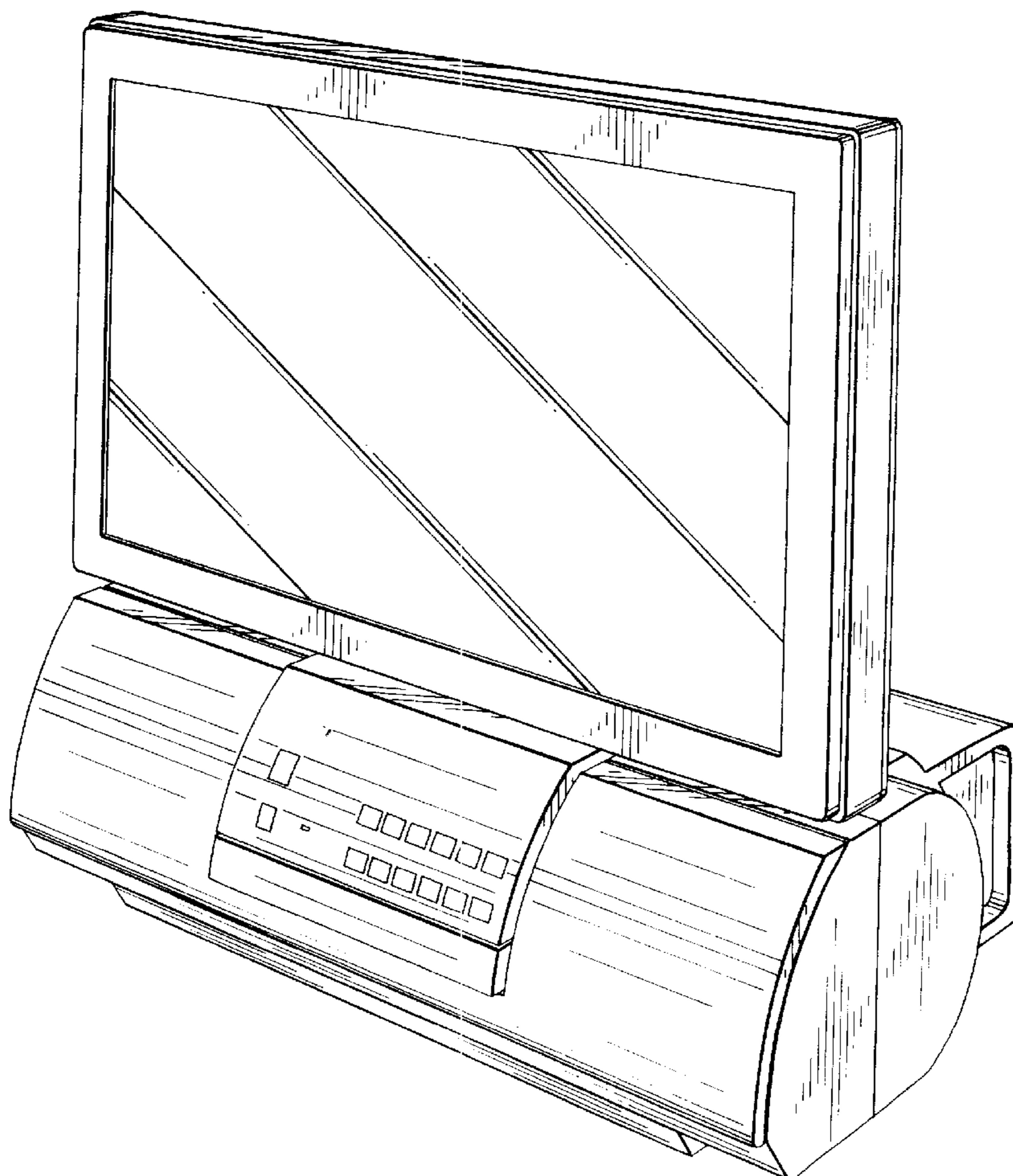


FIG. 1

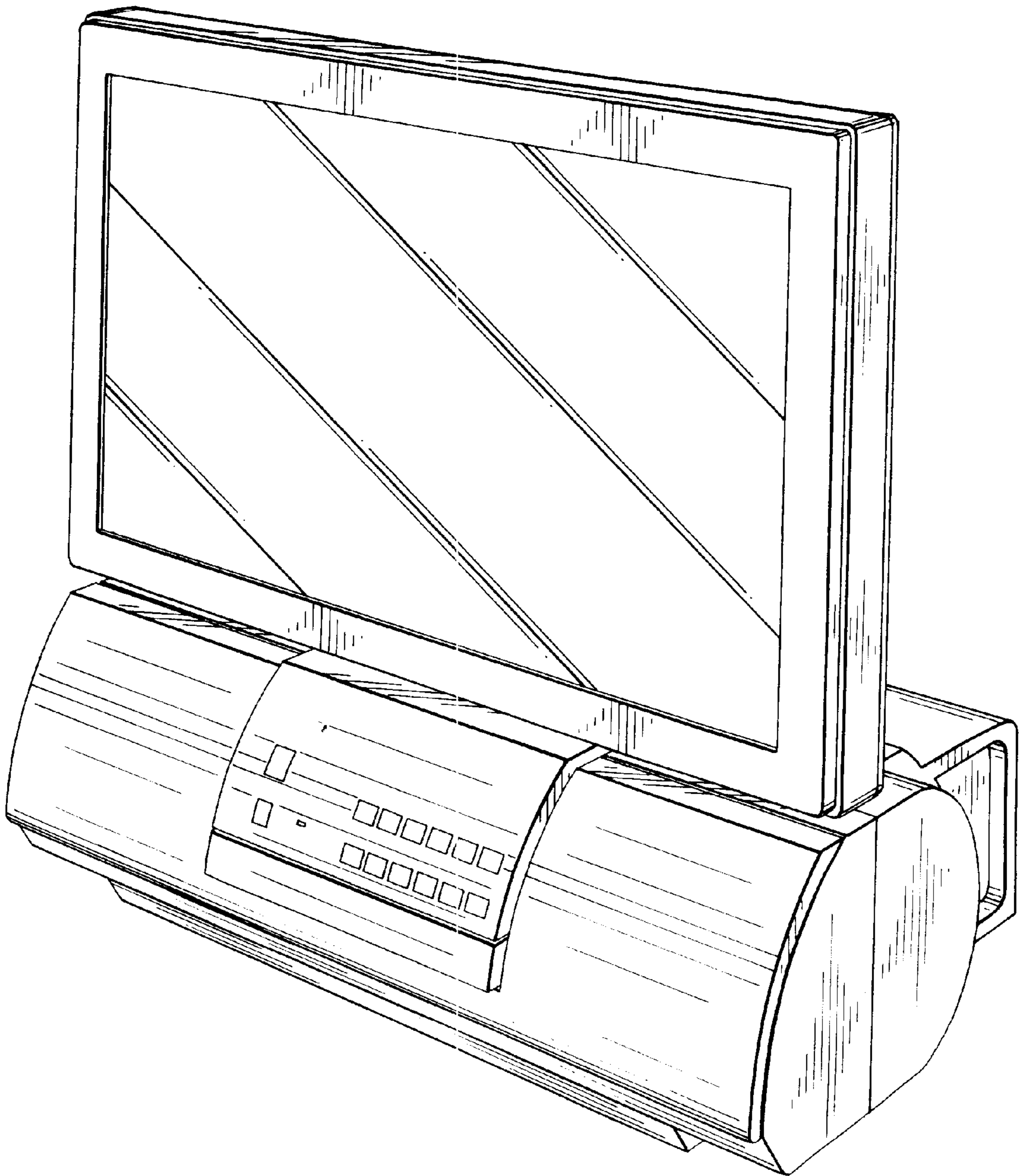


FIG. 3

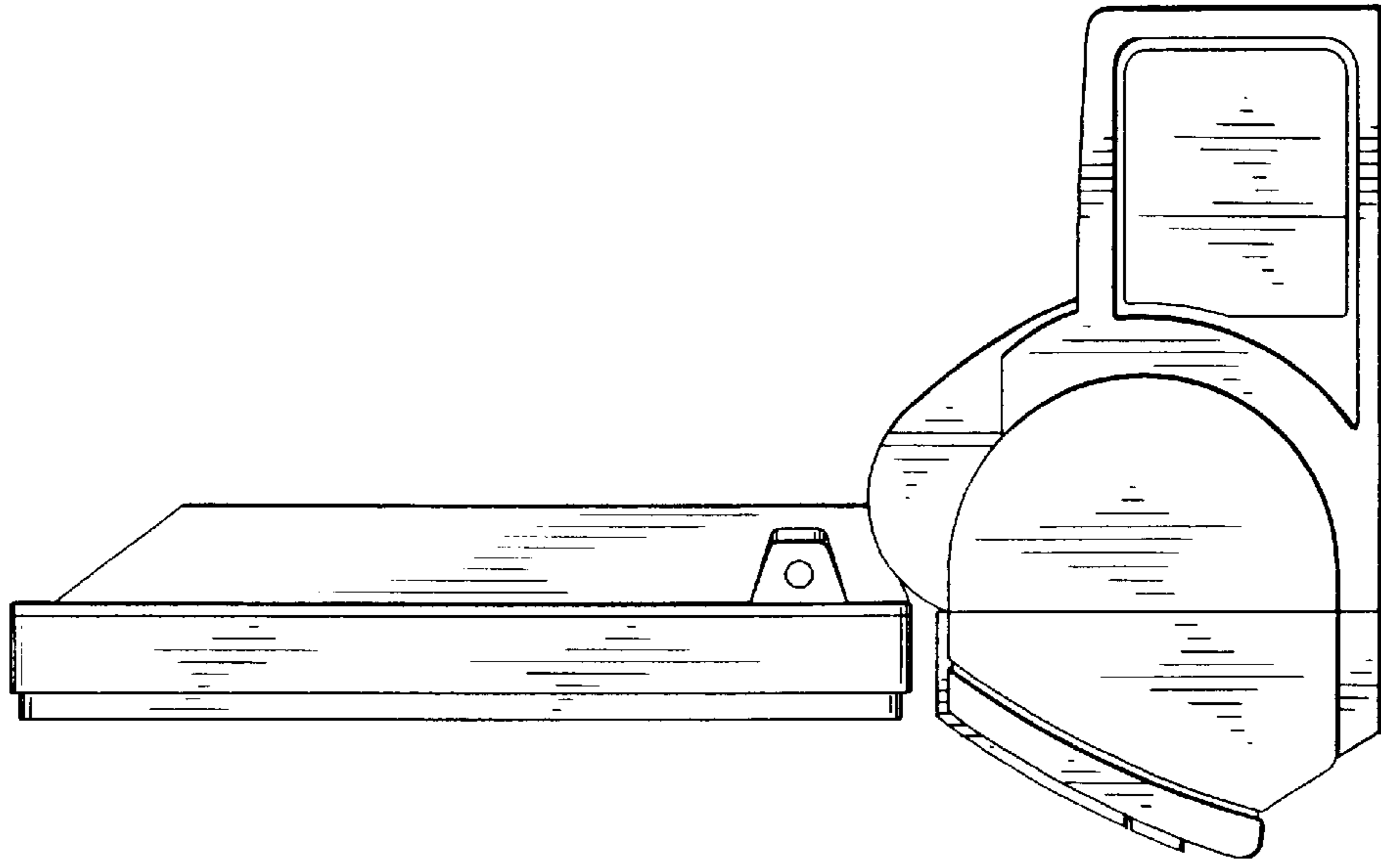


FIG. 2

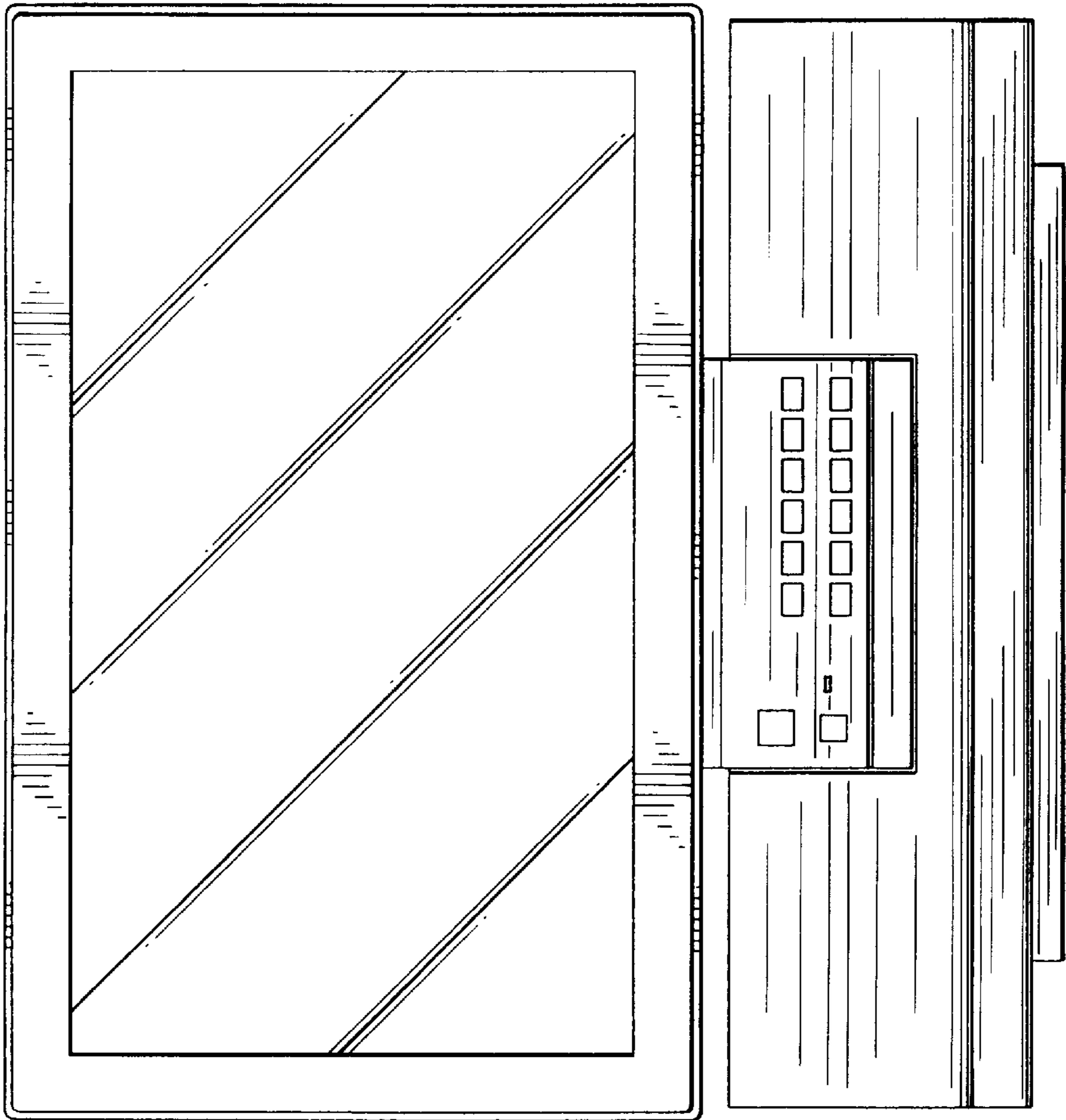


FIG. 4

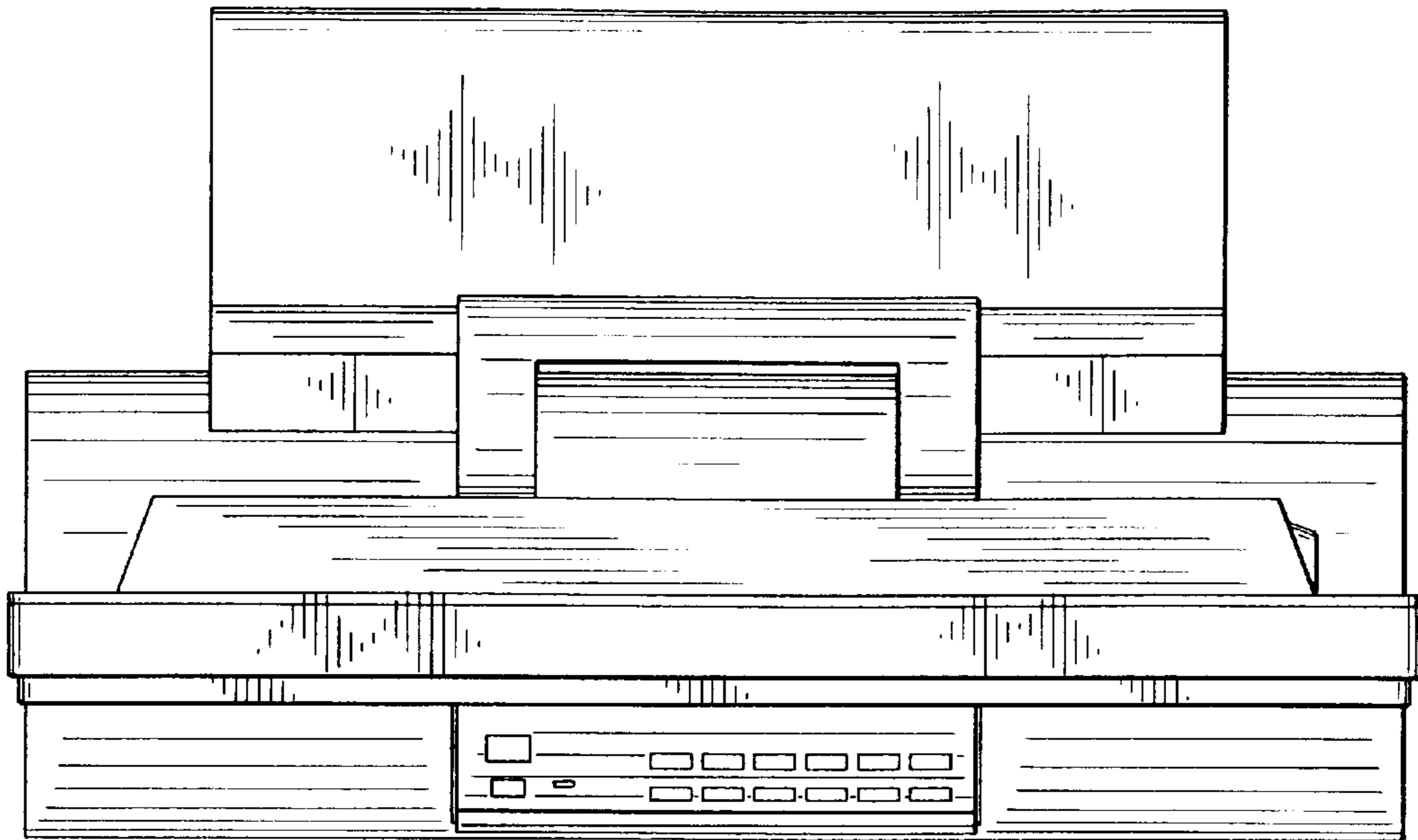


FIG. 5

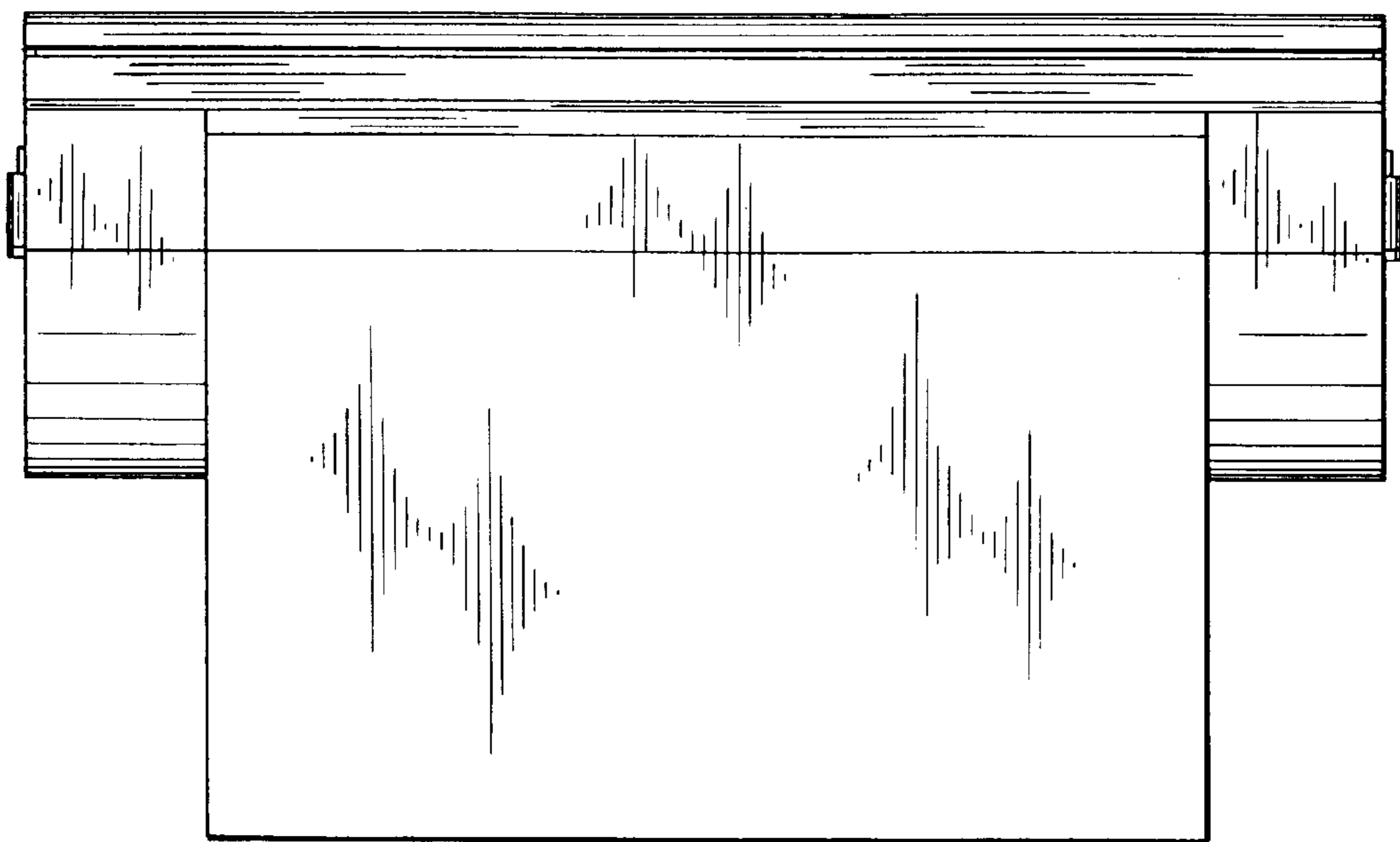


FIG. 7

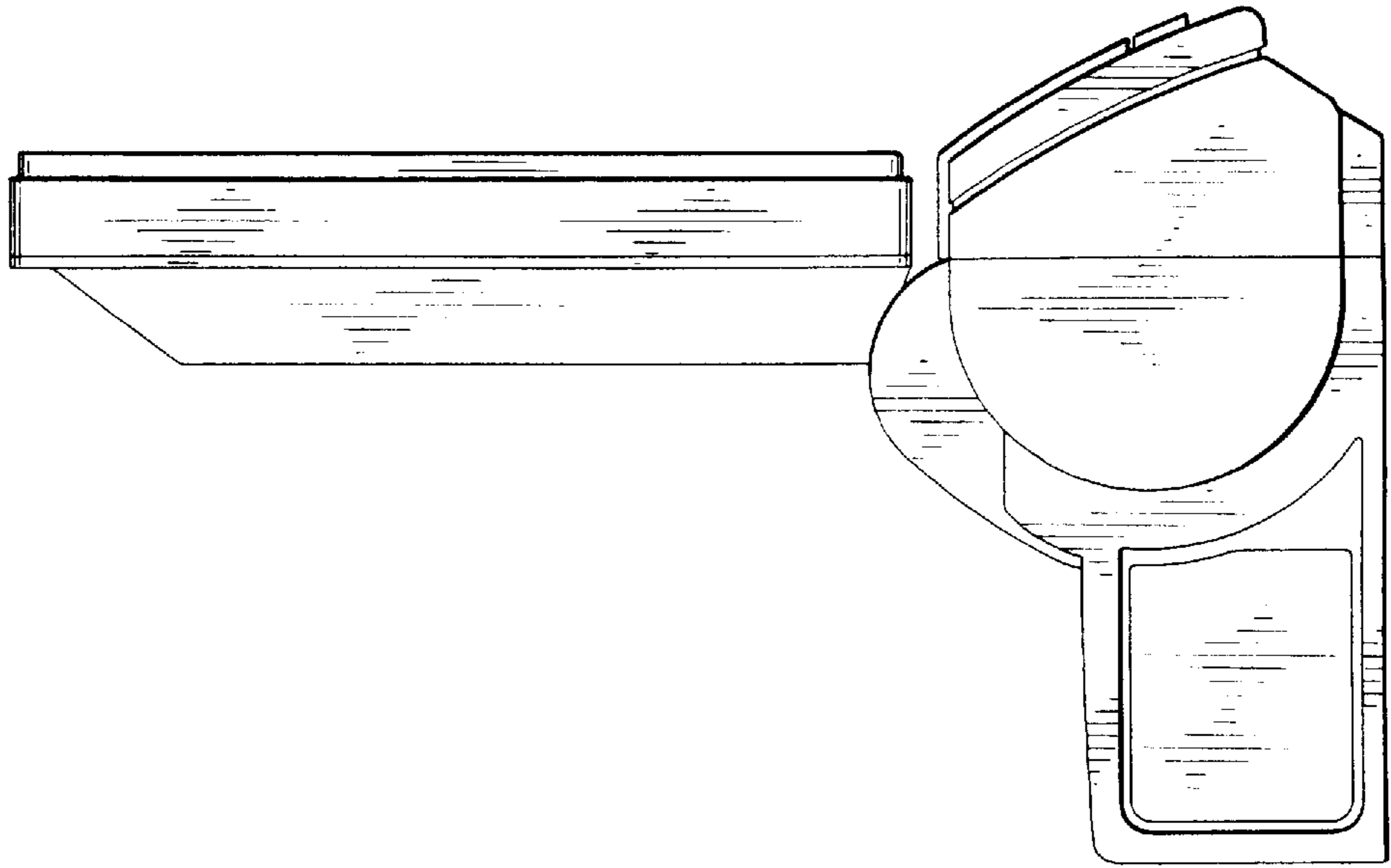


FIG. 6

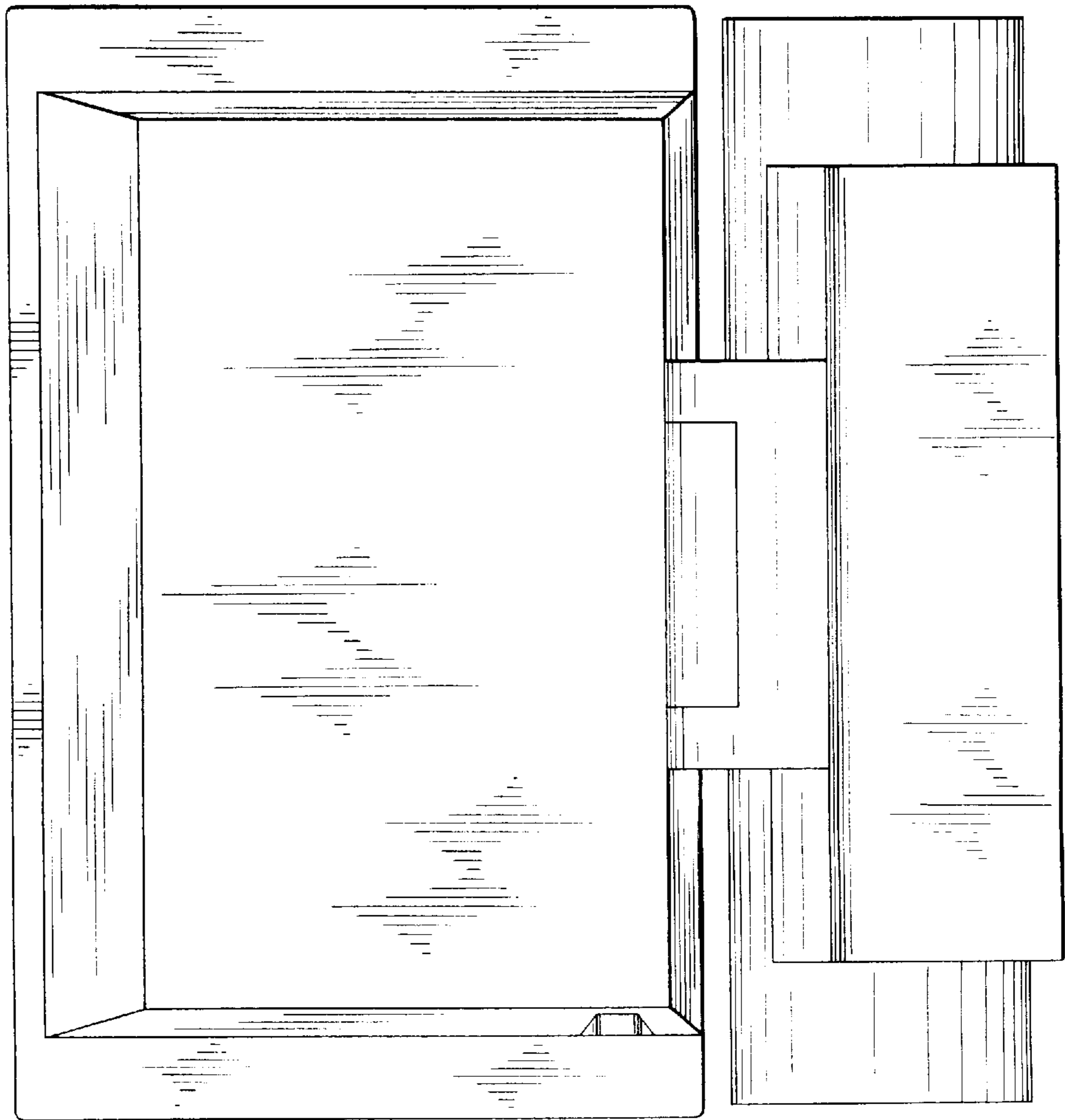


FIG. 8

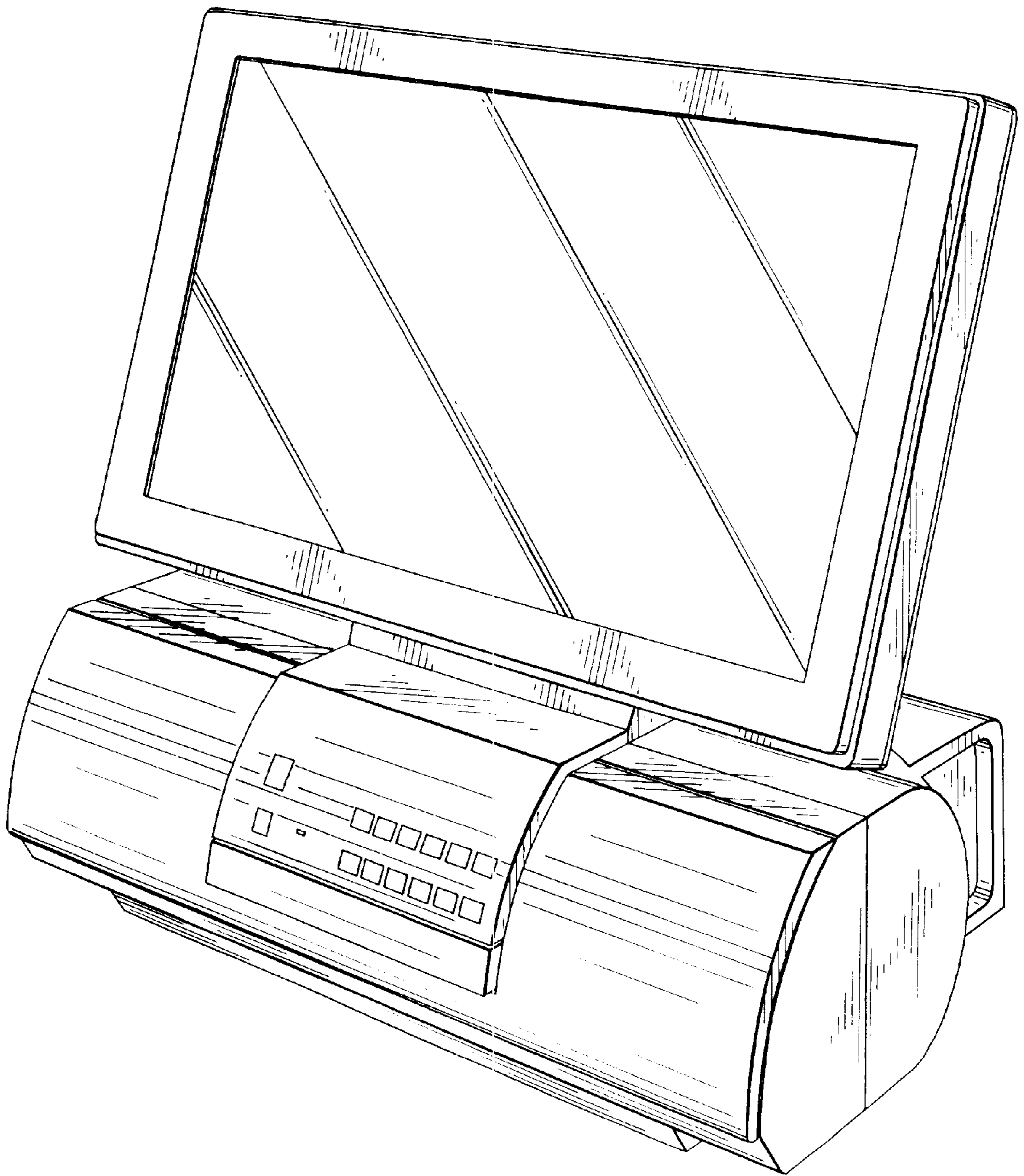


FIG. 9

