



US00D434397S

United States Patent [19] Sasago

[11] Patent Number: Des. 434,397

[45] Date of Patent: ** Nov. 28, 2000

[54] EDITOR FOR A VIDEO RECORDER

[75] Inventor: Osamu Sasago, Tokyo, Japan

[73] Assignee: Sony Corporation, Japan

[**] Term: 14 Years

[21] Appl. No.: 29/104,626

[22] Filed: May 10, 1999

[30] Foreign Application Priority Data

Nov. 9, 1998 [JP] Japan 10-32078

[51] LOC (7) Cl. 14-03

[52] U.S. Cl. D14/125

[58] Field of Search D14/496, 125,
D14/129, 135, 136, 156, 160, 167, 239,
299; 358/452, 537; 369/75.1, 83; 386/52-64

[56] References Cited

U.S. PATENT DOCUMENTS

D. 378,677 4/1997 Matsumoto et al. D14/496
D. 379,005 4/1997 Matsumoto et al. D14/125 X
D. 386,500 11/1997 Matsumoto et al. D14/239

OTHER PUBLICATIONS

Catalog, "DVW Series Component Digital VTR," DVW-A500, DVW-CA510 & BKDW-510/511, 4 sheets, Sony (Apr., 1993).

Catalog, "Digital Video Cassette Player DNW-A65," 2 sheets, Sony (Aug., 1998).

Primary Examiner—Richelle Shelton

Attorney, Agent, or Firm—Rader, Fishman & Grauer

[57] CLAIM

The ornamental design for an editor for a video recorder, as shown and described.

DESCRIPTION

FIG. 1 is a perspective view of an editor for a video recorder showing my new design;

FIG. 2 is a top plan view thereof;

FIG. 3 is a left side elevational view thereof;

FIG. 4 is a front elevational view thereof;

FIG. 5 is a bottom plan view thereof;

FIG. 6 is a right side elevational view thereof; and,

FIG. 7 is a rear elevational view thereof.

1 Claim, 4 Drawing Sheets

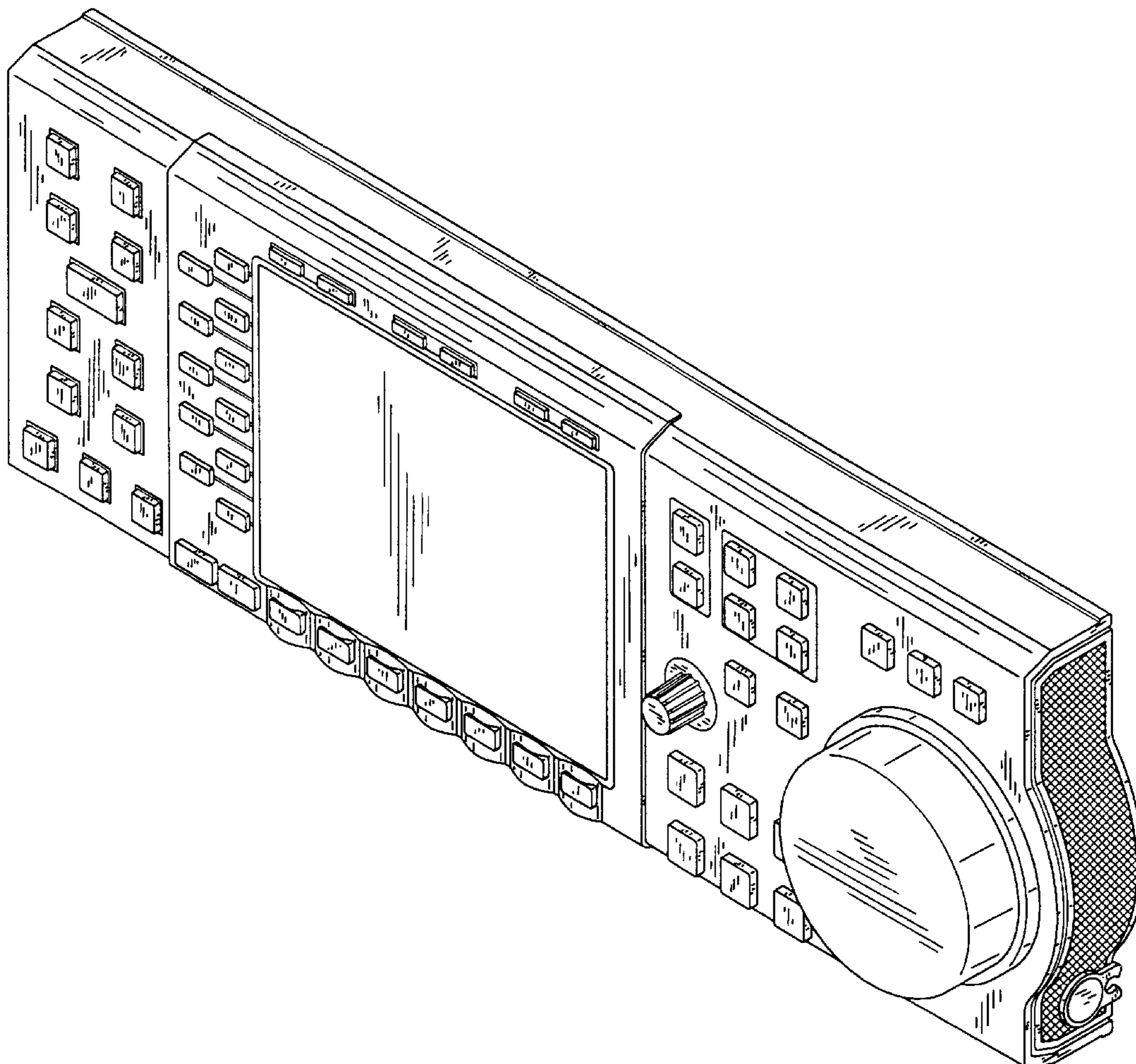


FIG. 1

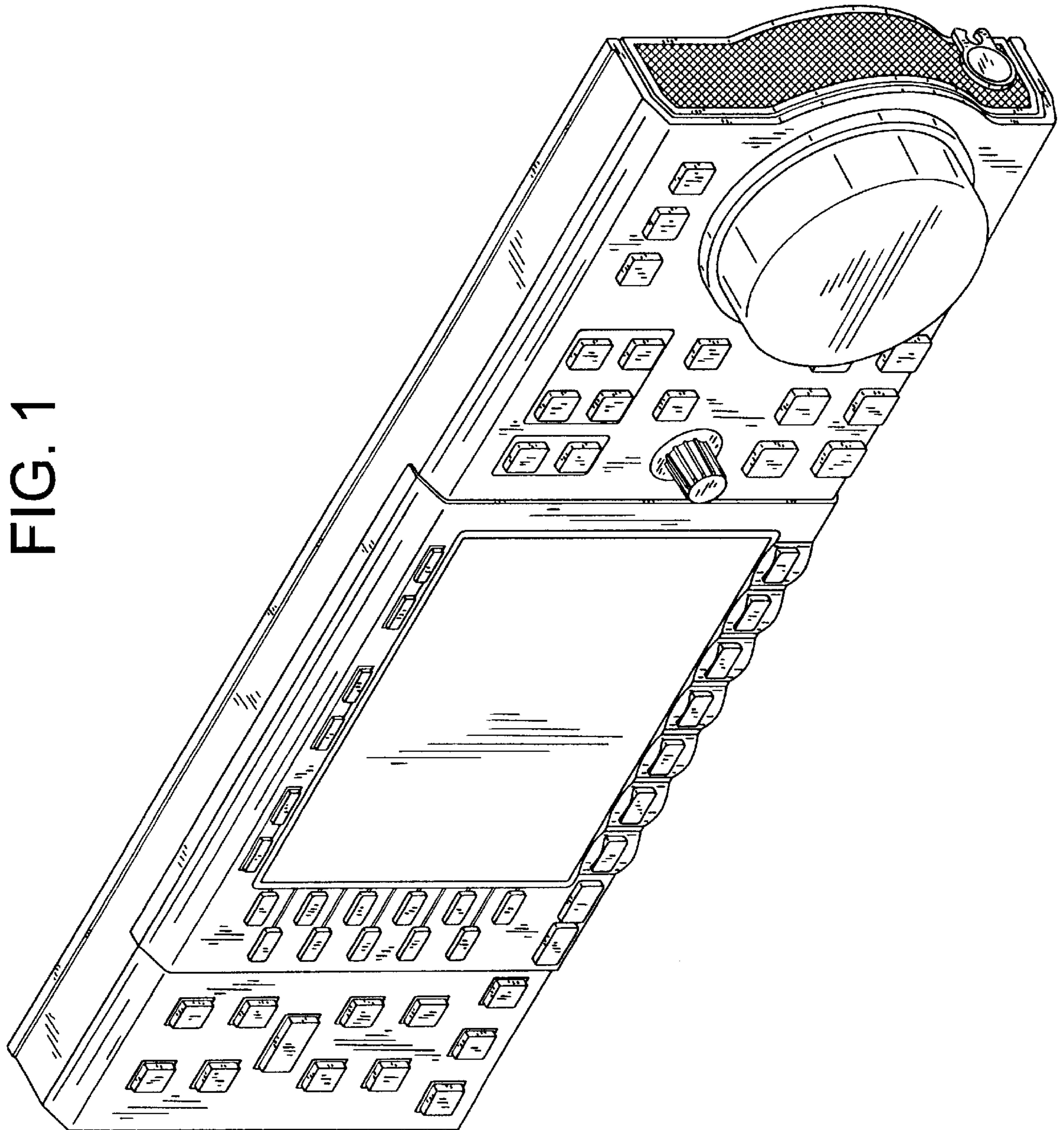


FIG. 2

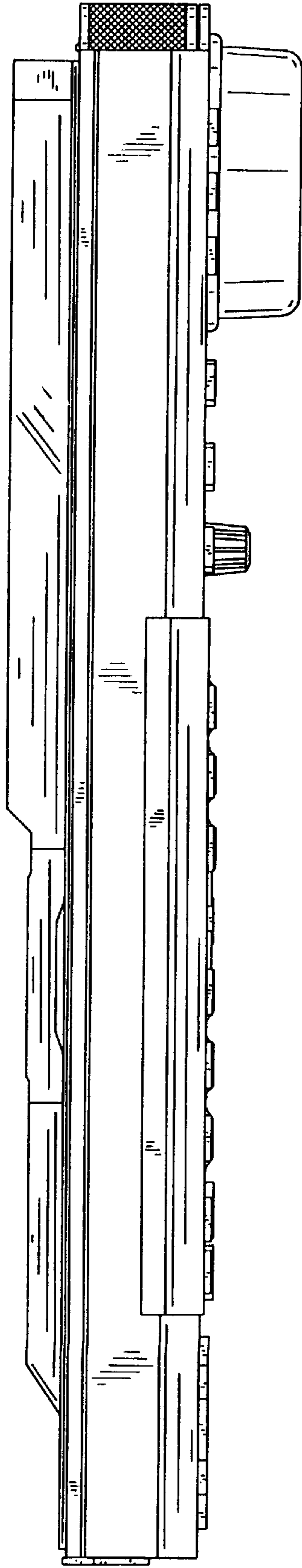


FIG. 3

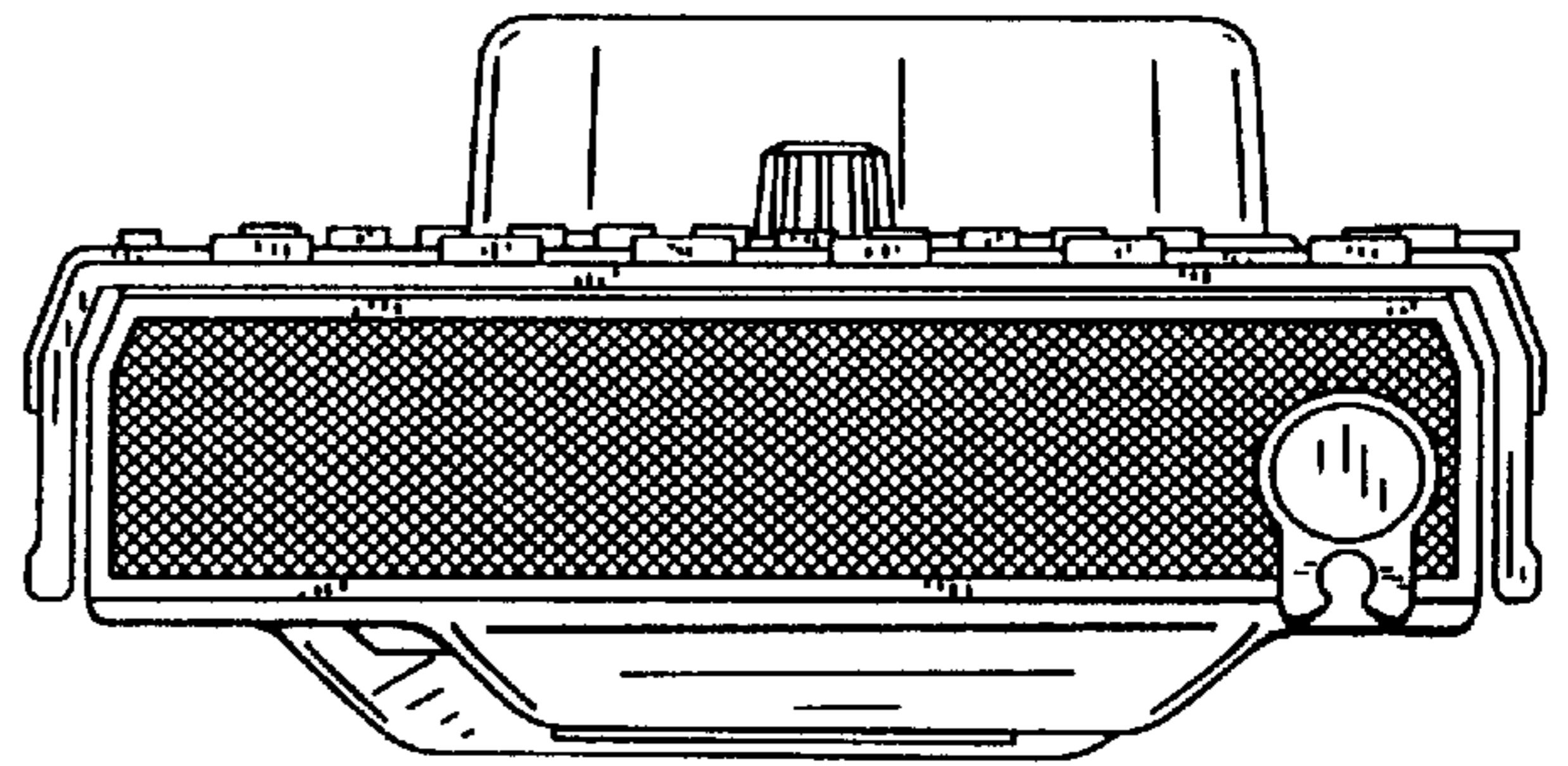


FIG. 7

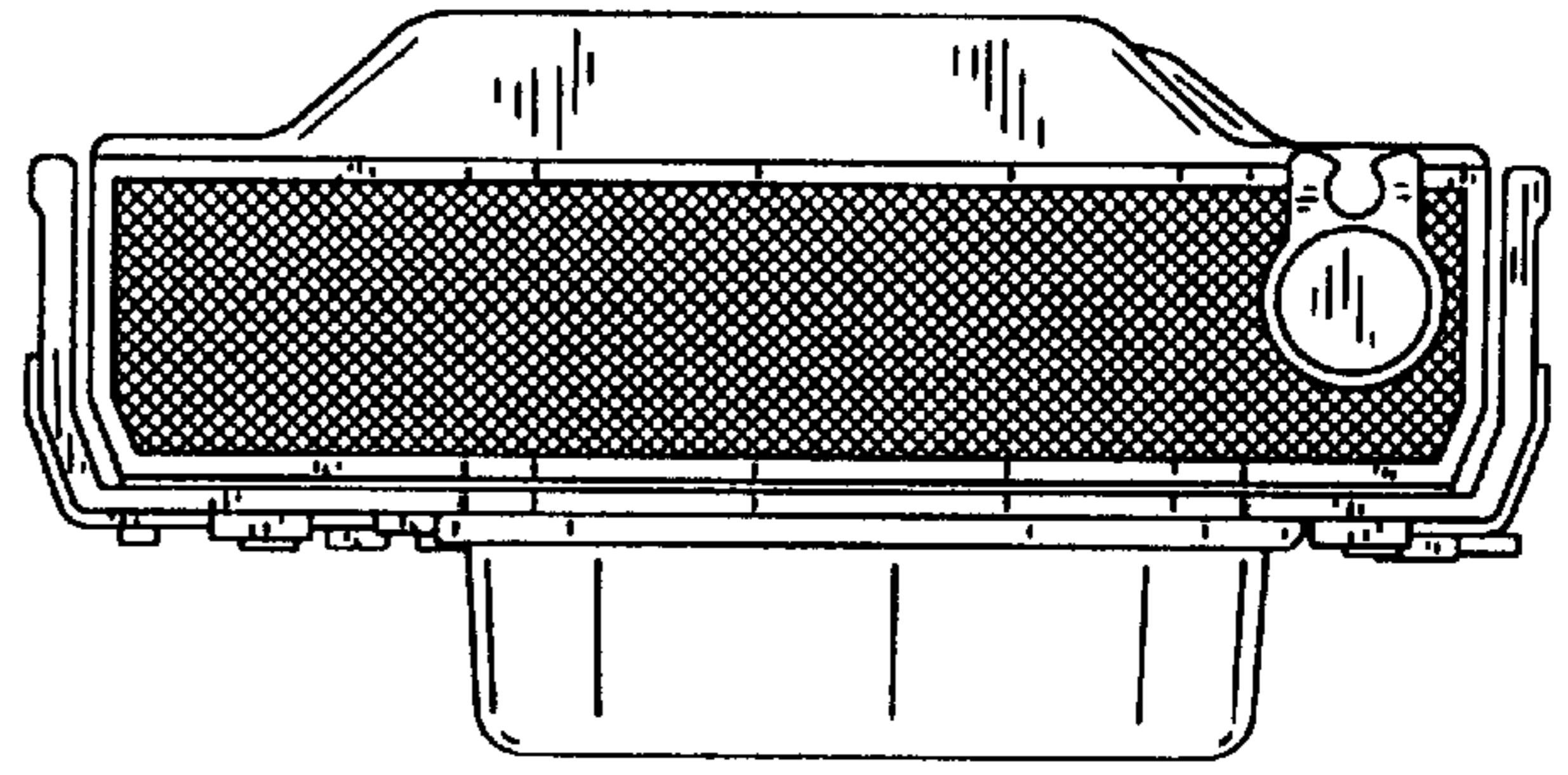


FIG. 4

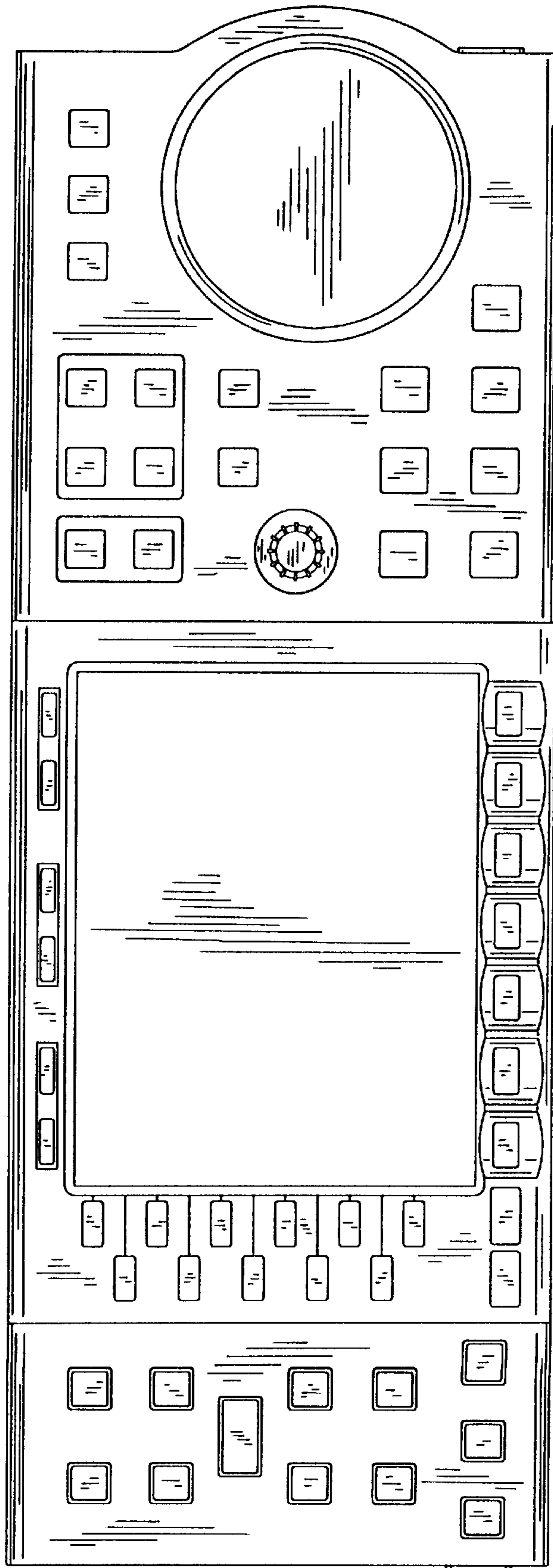


FIG. 6

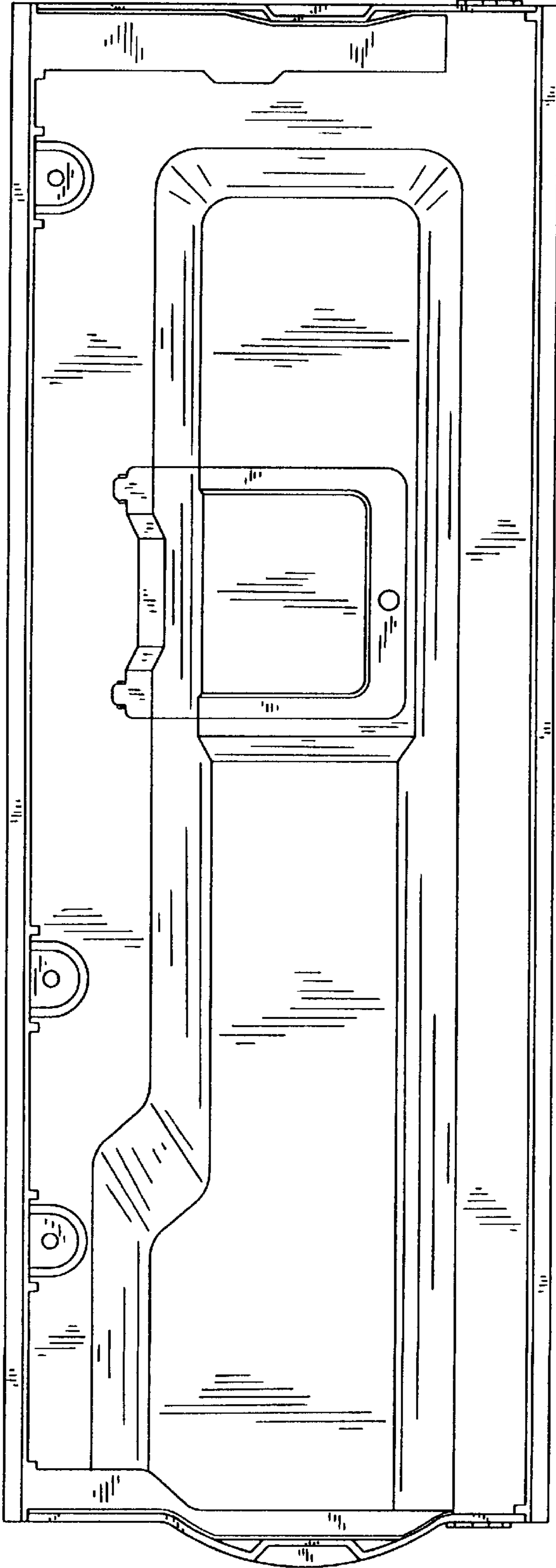


FIG. 5

