



US00D434387S

United States Patent [19]
Taylor

[11] **Patent Number: Des. 434,387**

[45] **Date of Patent: ** Nov. 28, 2000**

[54] **SWITCH**

[75] Inventor: **John F. Taylor**, Ortonville, Mich.

[73] Assignee: **Safety Technology International, Inc.**,
Waterford, Mich.

[**] Term: **14 Years**

[21] Appl. No.: **29/093,689**

[22] Filed: **Sep. 17, 1998**

[51] **LOC (7) Cl.** **13-03**

[52] **U.S. Cl.** **D13/158; D10/106**

[58] **Field of Search** D10/104, 106;
D13/156, 158, 171; 200/43.04, 43.11, 43.13,
43.18, 314

[56] **References Cited**

U.S. PATENT DOCUMENTS

D. 312,054	11/1990	Melman	D10/106
D. 327,471	6/1992	Frick	D13/158
D. 343,386	1/1994	Mueller	D13/158
4,713,509	12/1987	Chebowski	200/43.18
5,584,555	12/1996	Larsson	200/314

OTHER PUBLICATIONS

Hong Kong Enterprise Catalog, Feb. 1990 p. 146.

Primary Examiner—Adir Aronovich
Attorney, Agent, or Firm—Gifford, Krass, Groh,
Sprinkle, Anderson & Citkowski, P.C.

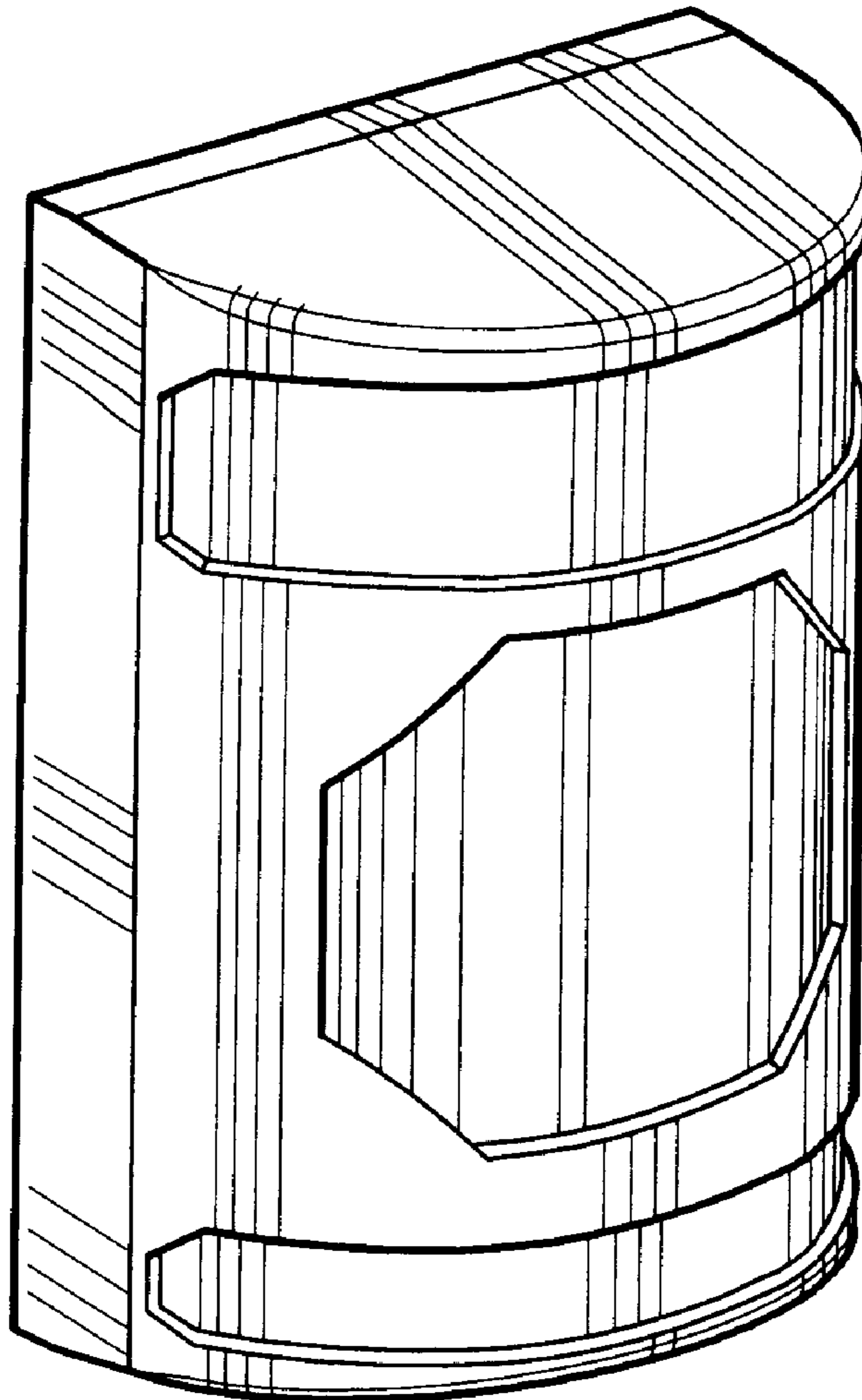
[57] **CLAIM**

The ornamental design for a switch, as shown and described.

DESCRIPTION

FIG. 1 is perspective view of the design of the present invention;
FIG. 2 is a top elevational view of the design shown in FIG. 1;
FIG. 3 is a front elevational view as seen from the left side of FIG. 1;
FIG. 4 is a bottom elevational view of the design shown in FIG. 1;
FIG. 5 is a side elevational view of the design shown in FIG. 1; and,
FIG. 6 is a rear elevational view of the design shown in FIG. 1.

1 Claim, 1 Drawing Sheet



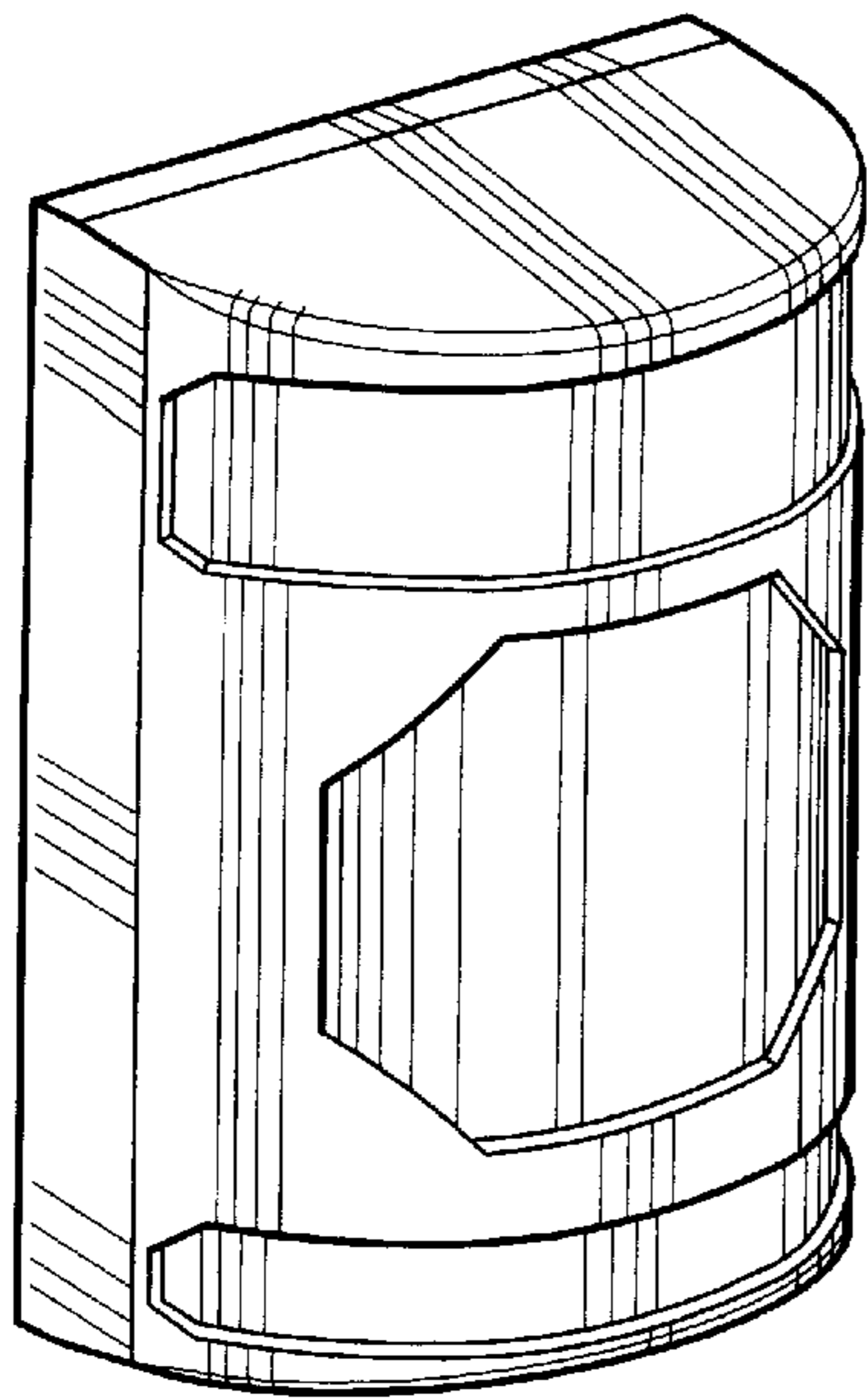


Fig-1

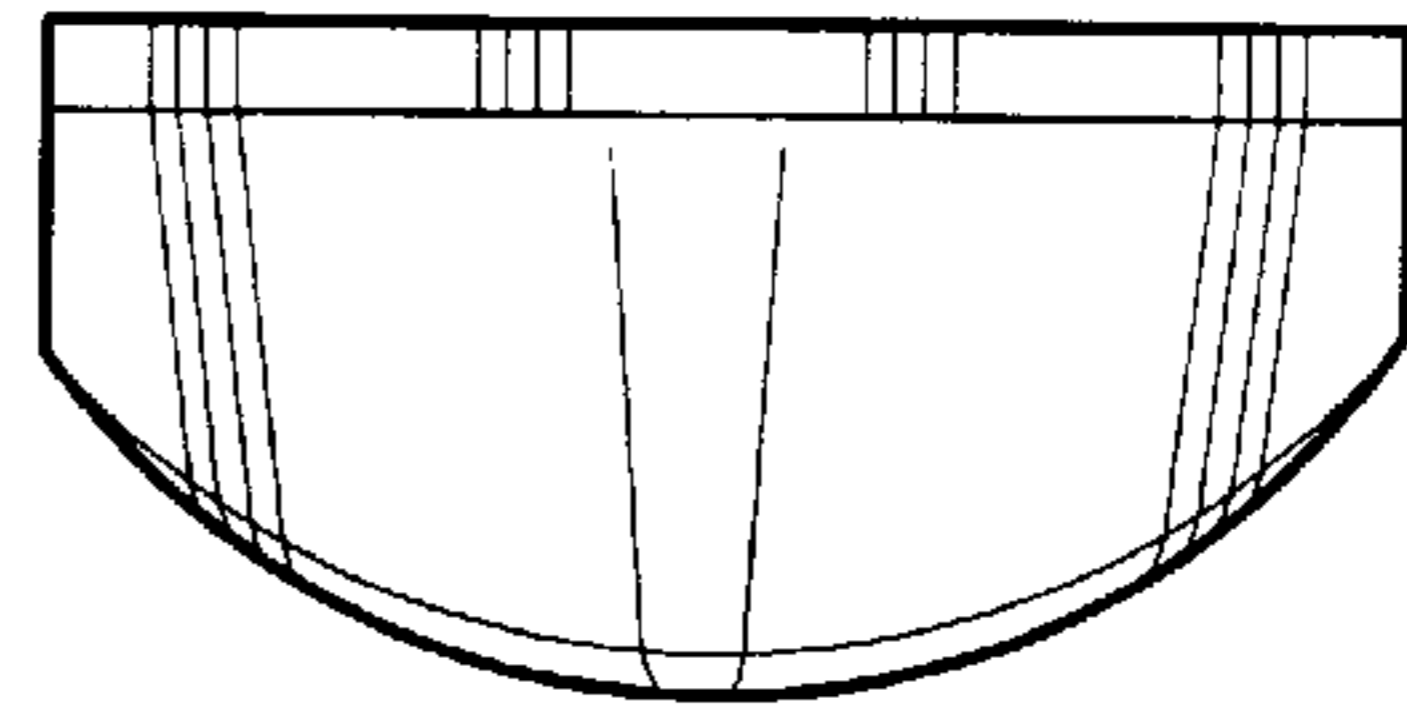


Fig-2

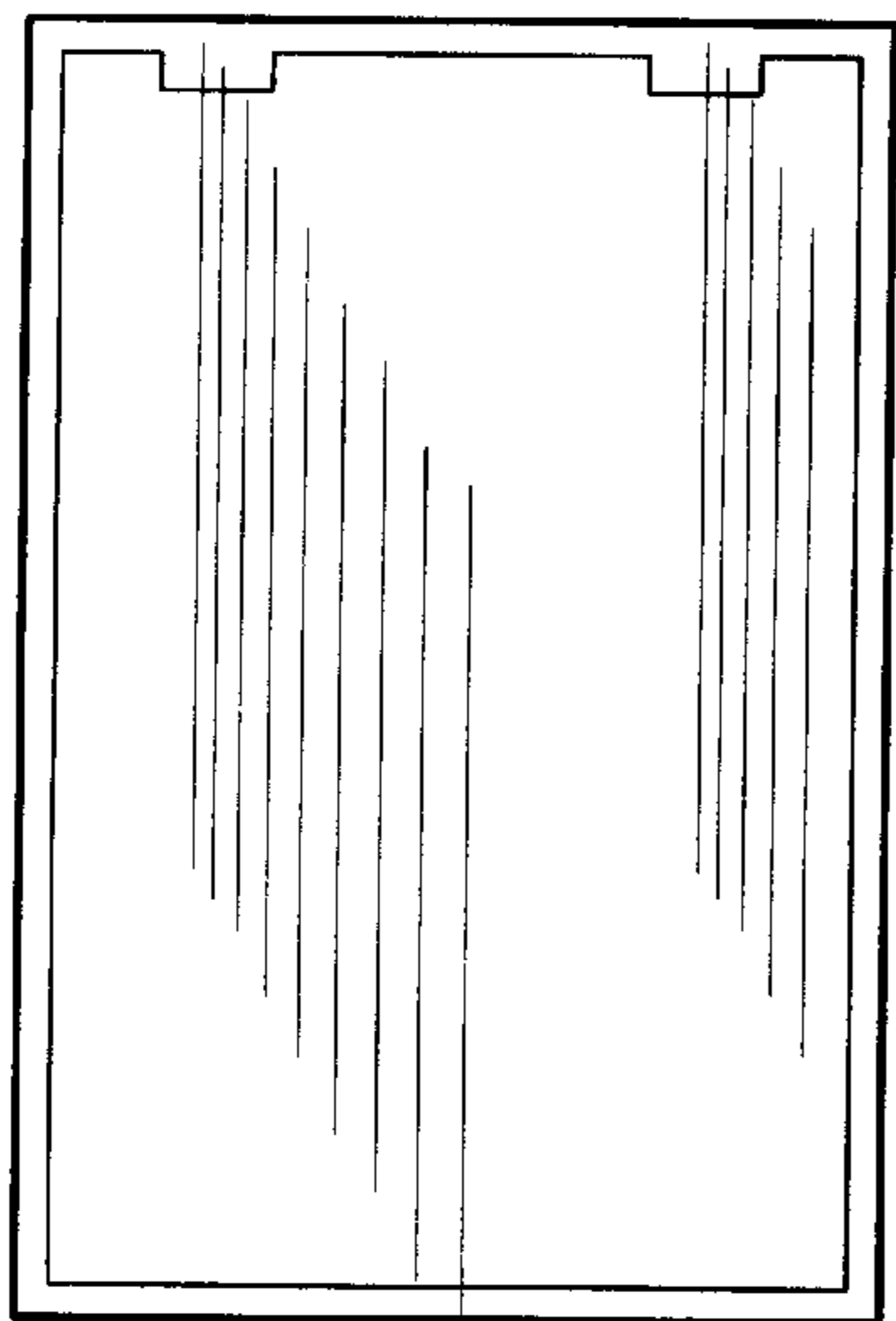


Fig-6

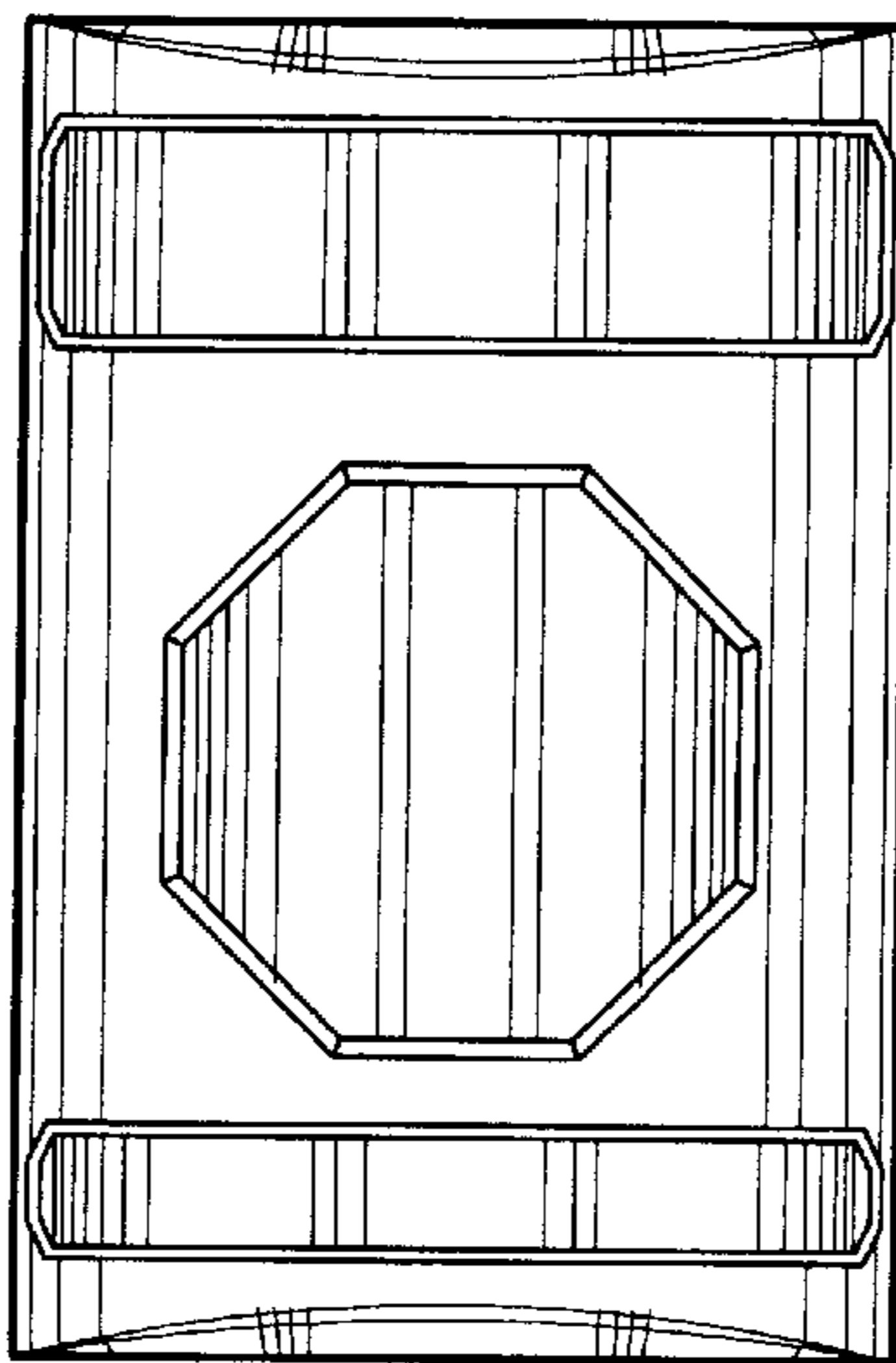


Fig-3

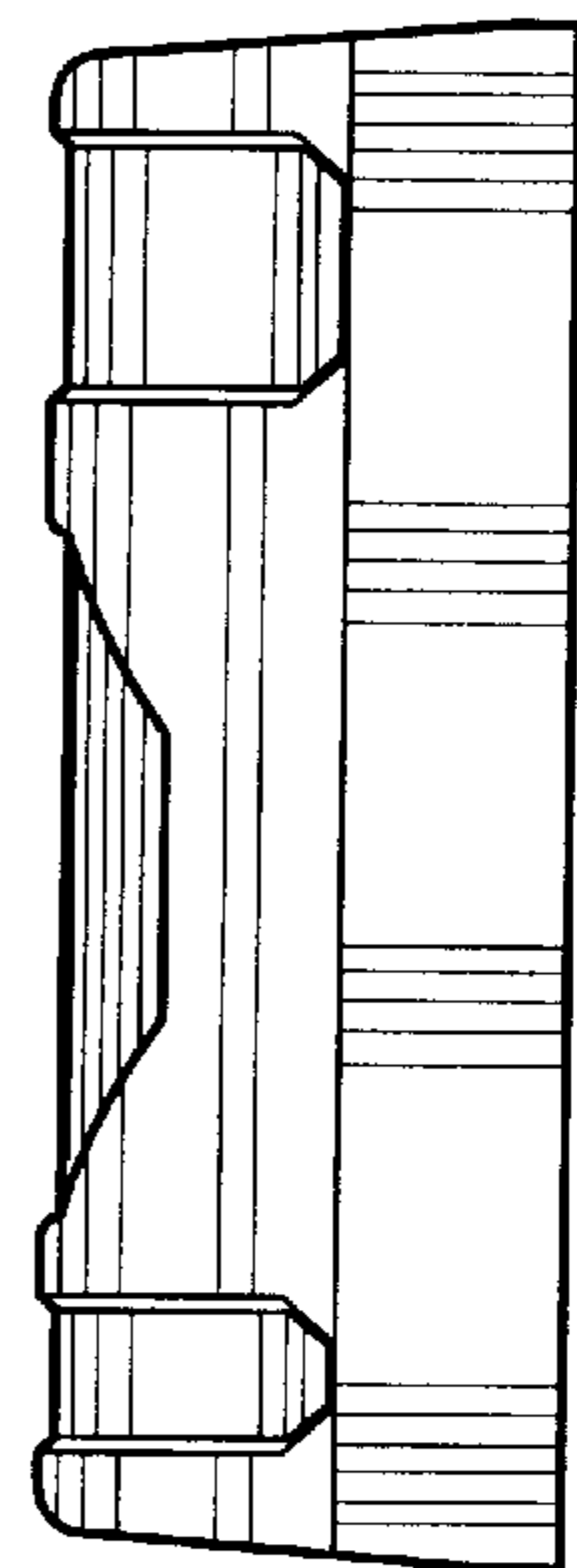


Fig-5

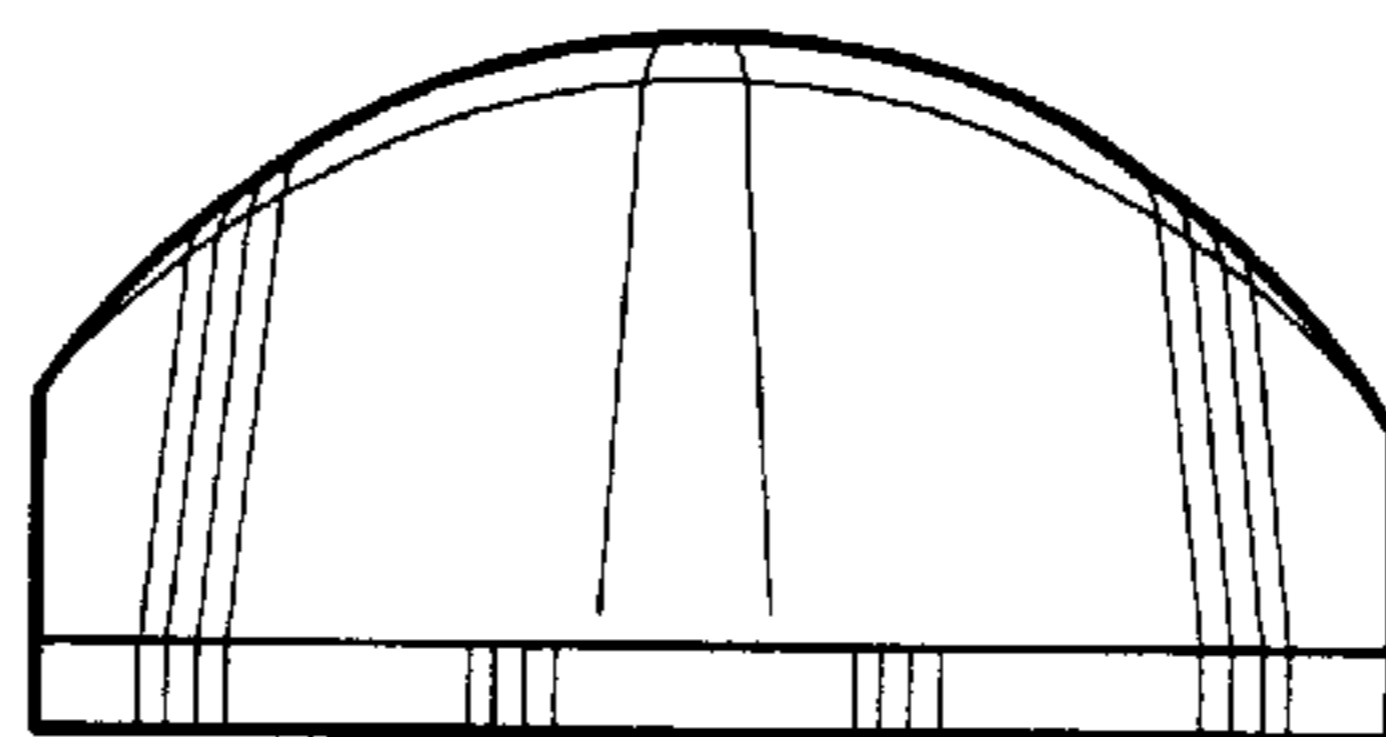


Fig-4