



US00D434386S

United States Patent [19] Wu

[11] **Patent Number: Des. 434,386**

[45] **Date of Patent: ** Nov. 28, 2000**

[54] **ELECTRICAL CONNECTOR**

[75] Inventor: **Jerry Wu, Pan-Chiao, Taiwan**

[73] Assignee: **Hon Hai Precision Ind. Co., Ltd.,
Taipei Hsien, Taiwan**

[**] Term: **14 Years**

[21] Appl. No.: **29/124,508**

[22] Filed: **Jun. 6, 2000**

[51] **LOC (7) Cl. 13-03**

[52] **U.S. Cl. D13/147**

[58] **Field of Search D13/146, 147;
439/607-610, 626, 629, 636**

[56] **References Cited**

U.S. PATENT DOCUMENTS

D. 375,293	11/1996	Suzuki	D13/147
D. 416,863	11/1999	Sato et al.	D13/147
D. 416,865	11/1999	Chiou	D13/147
D. 418,479	1/2000	Chiou	D13/147

D. 422,562	4/2000	Huang	D13/147
D. 425,027	5/2000	Nishio et al.	D13/147
D. 427,567	7/2000	Nishio et al.	D13/147
5,800,204	9/1998	Niitsu	439/495
6,066,000	5/2000	Masumoto et al.	439/607
6,083,046	7/2000	Wu et al.	439/607

Primary Examiner—Joel Sincavage
Attorney, Agent, or Firm—Wei Te Chung

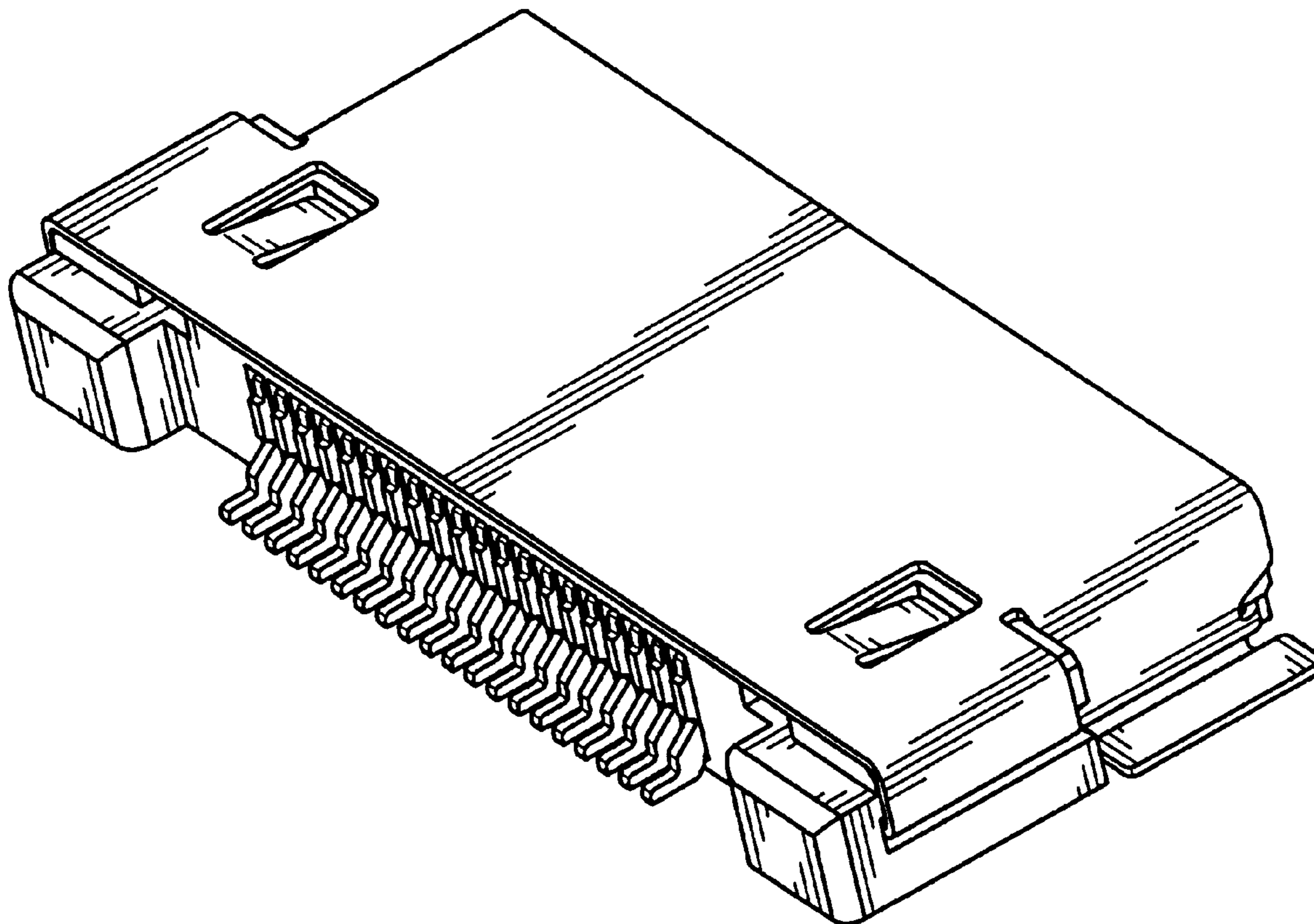
[57] **CLAIM**

The ornamental design for an electrical connector, as shown.

DESCRIPTION

FIG. 1 is a front, top and right side perspective view of an electrical connector showing my new design; FIG. 2 is a front elevational view thereof; FIG. 3 is a rear elevational view thereof; FIG. 4 is a left side elevational view thereof; FIG. 5 is a right side elevational view thereof; FIG. 6 is a top plan view thereof; and, FIG. 7 is a bottom plan view thereof.

1 Claim, 4 Drawing Sheets



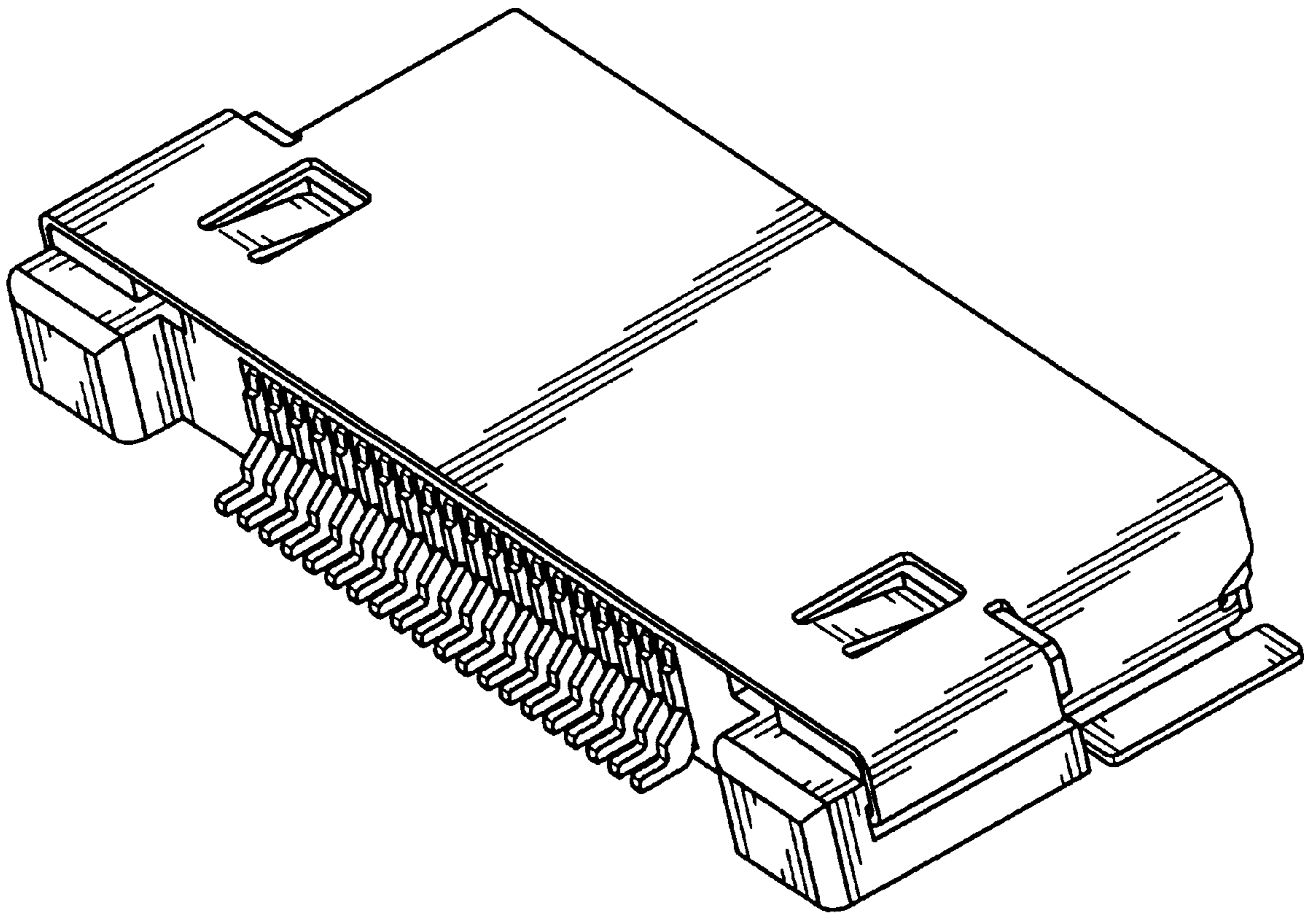


FIG. 1

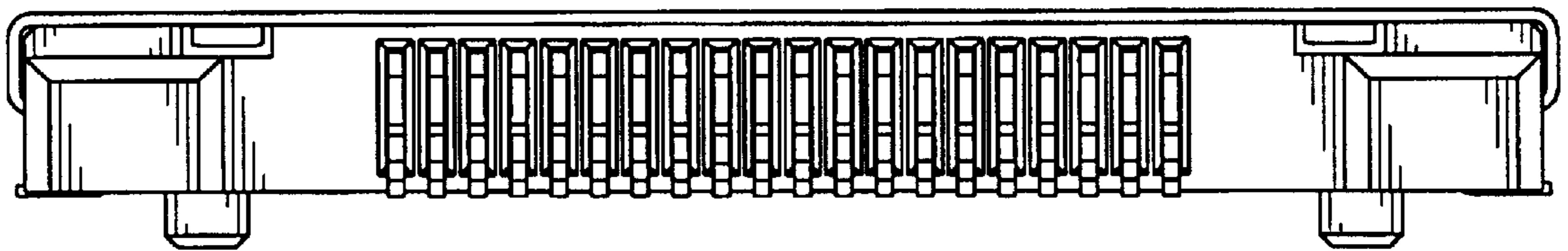


FIG. 2

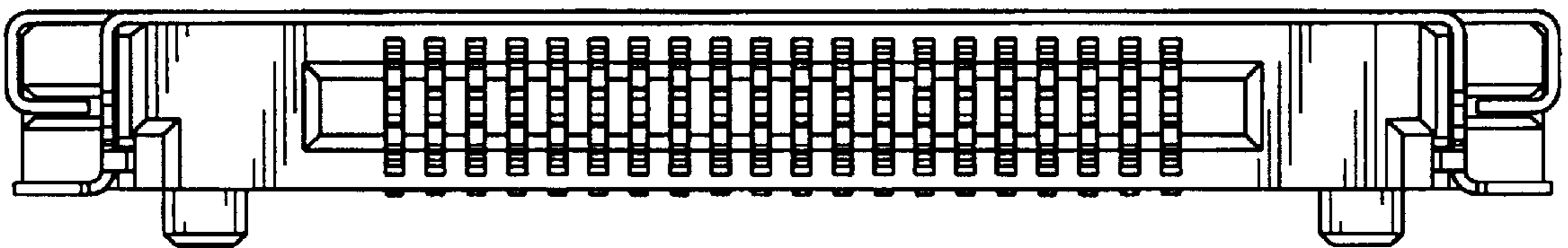


FIG. 3

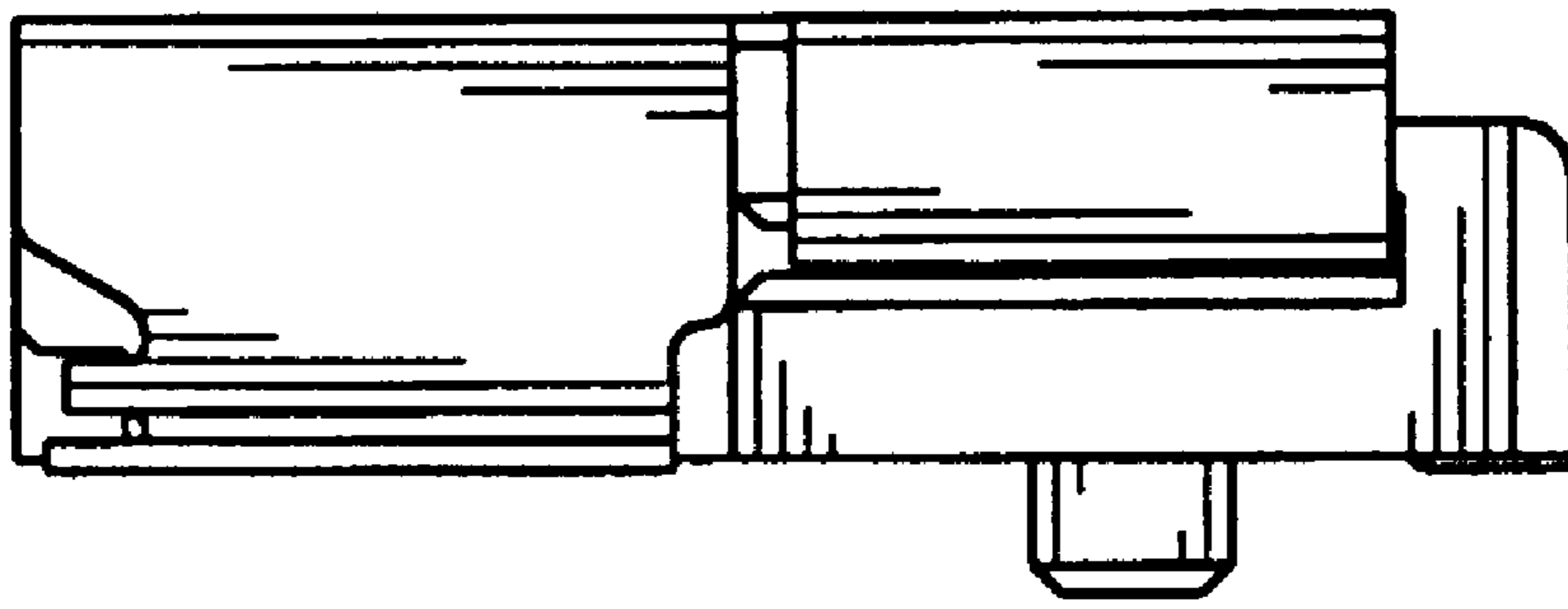


FIG. 4

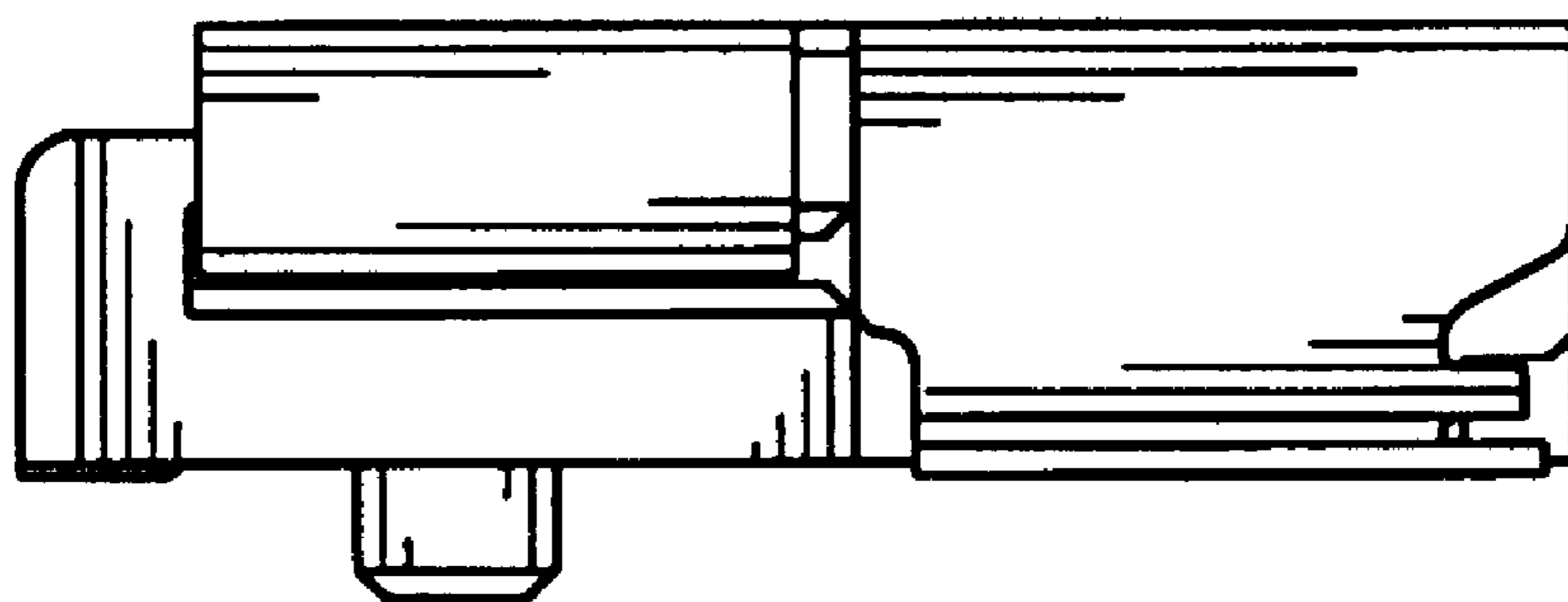


FIG. 5

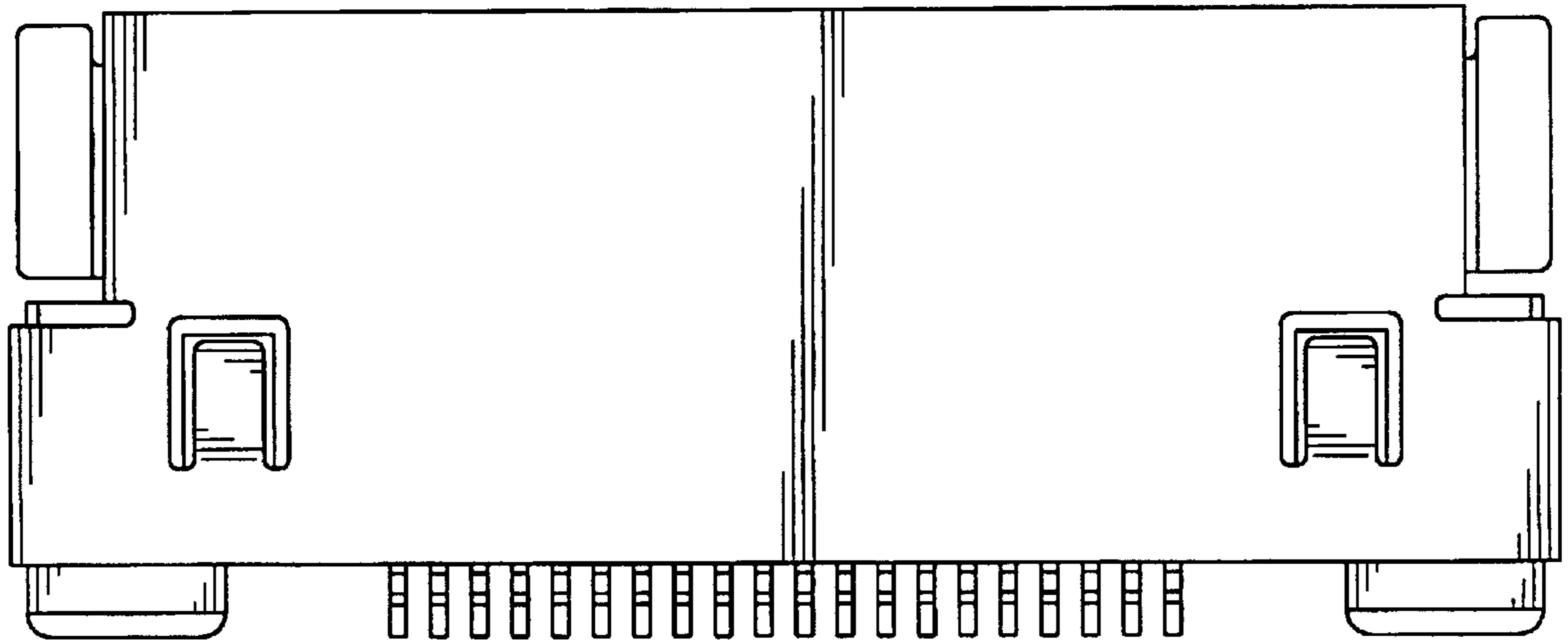


FIG. 6

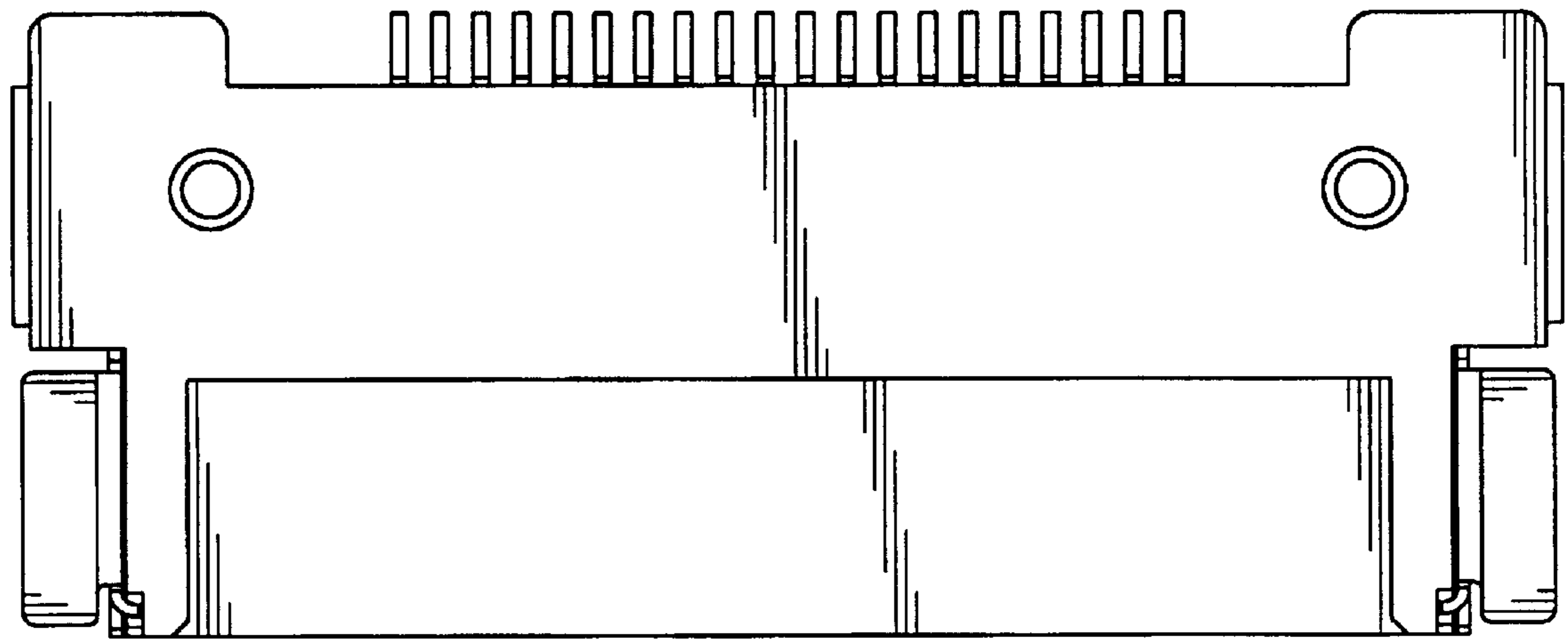


FIG. 7