

US00D434384S

# United States Patent [19] Hwang

[11] **Patent Number: Des. 434,384**

[45] **Date of Patent: \*\* Nov. 28, 2000**

[54] **ELECTRICAL CONNECTOR**

[75] Inventor: **Jeng-Yih Hwang**, Irvine, Calif.

[73] Assignee: **Hon Hai Precision Ind. Co., Ltd.**,  
Taipei Hsien, Taiwan

[\*\*] Term: **14 Years**

[21] Appl. No.: **29/123,097**

[22] Filed: **May 9, 2000**

[51] **LOC (7) Cl.** ..... **13-03**

[52] **U.S. Cl.** ..... **D13/147**

[58] **Field of Search** ..... D13/146, 147;  
439/354, 357, 545, 557, 552, 571, 576,  
680

[56] **References Cited**

**U.S. PATENT DOCUMENTS**

- D. 210,533 3/1968 Pauza ..... D13/147
- D. 314,752 2/1991 Maejima et al. .... D13/147

- D. 366,241 1/1996 Eaton ..... D13/147
- D. 366,454 1/1996 Eaton ..... D13/147
- 5,145,413 9/1992 Okamoto et al. .... 439/620
- 5,425,650 6/1995 Maeda ..... 439/680 X
- 5,525,074 6/1996 Tsuji et al. .... 439/557 X

*Primary Examiner*—Joel Sincavage  
*Attorney, Agent, or Firm*—Wei Te Chung

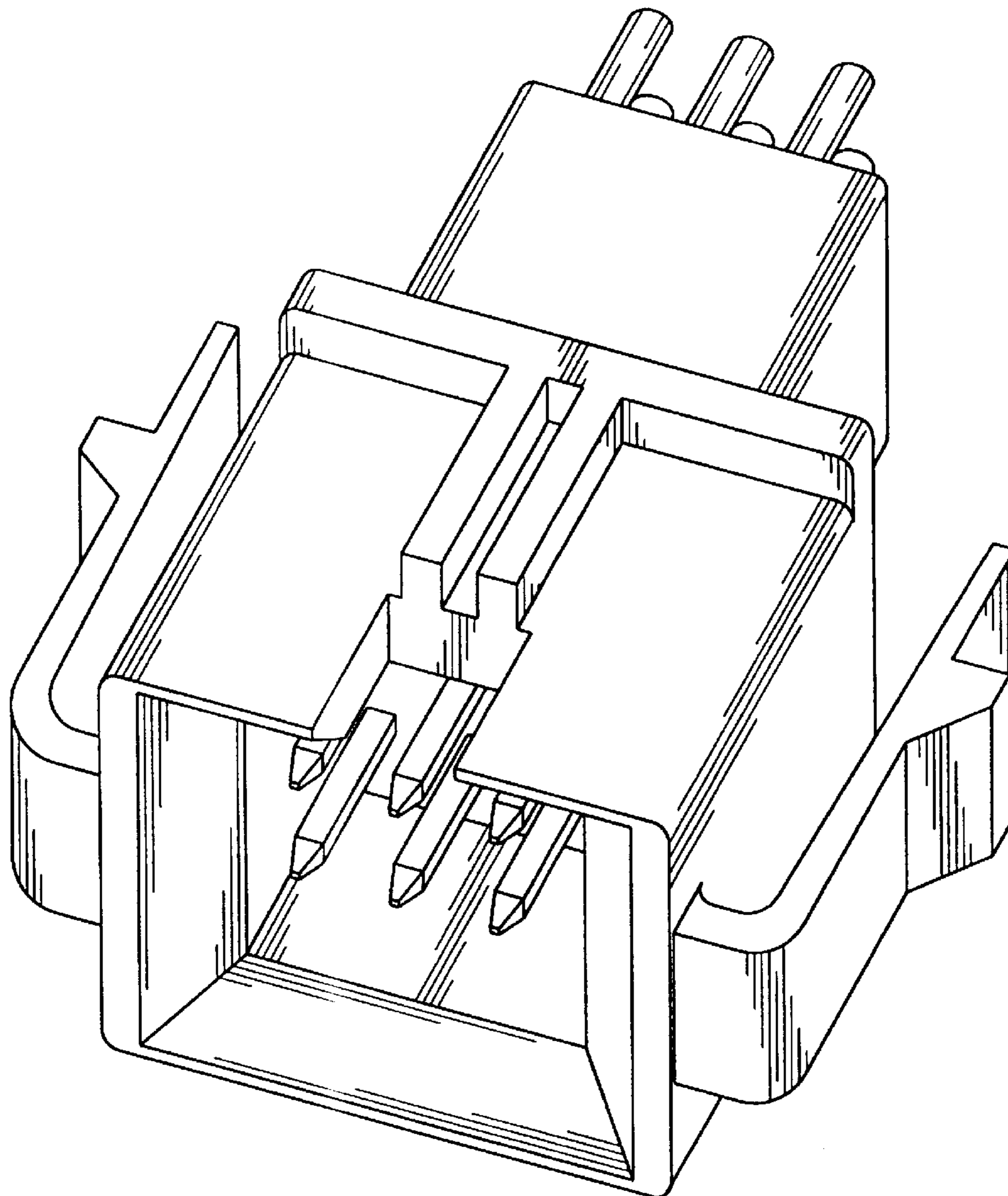
[57] **CLAIM**

The ornamental design for an electrical connector, as shown.

**DESCRIPTION**

FIG. 1 is a front, top and right side perspective view of an electrical connector showing my new design; FIG. 2 is a front elevational view thereof; FIG. 3 is a rear elevational view thereof; FIG. 4 is a left side elevational view thereof; FIG. 5 is a right side elevational view thereof; FIG. 6 is a top plan view thereof; and, FIG. 7 is a bottom plan view thereof.

**1 Claim, 7 Drawing Sheets**



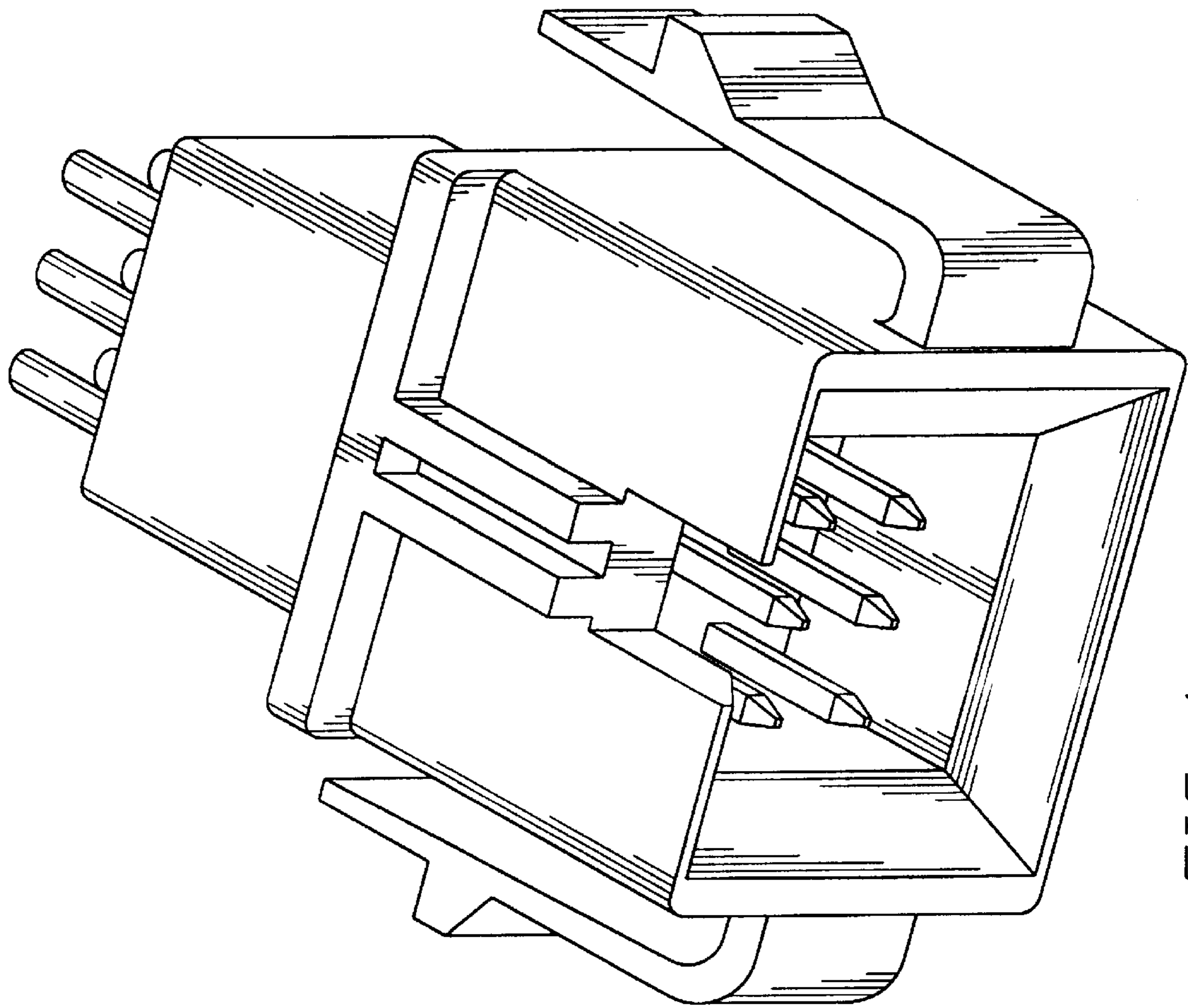


FIG. 1

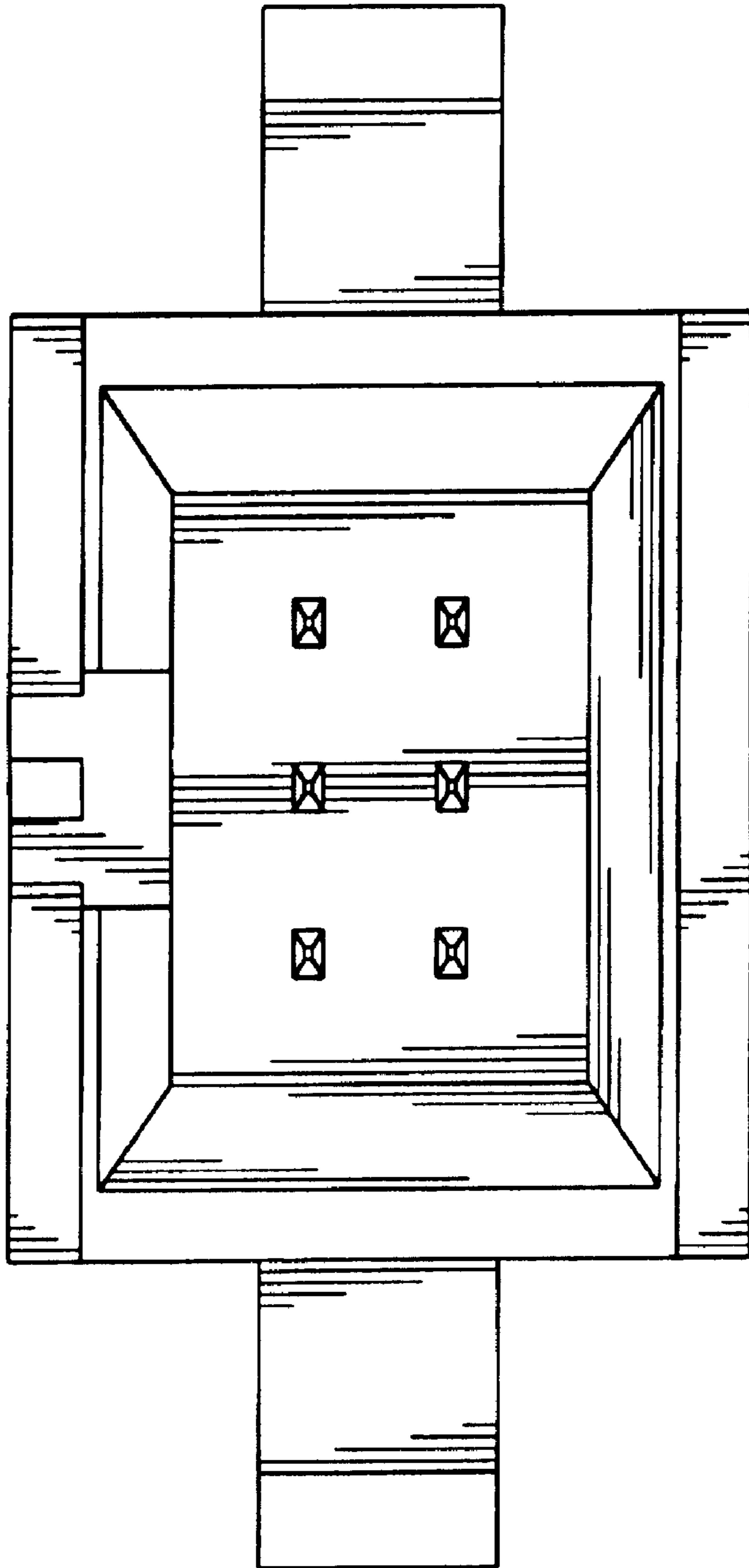


FIG. 2

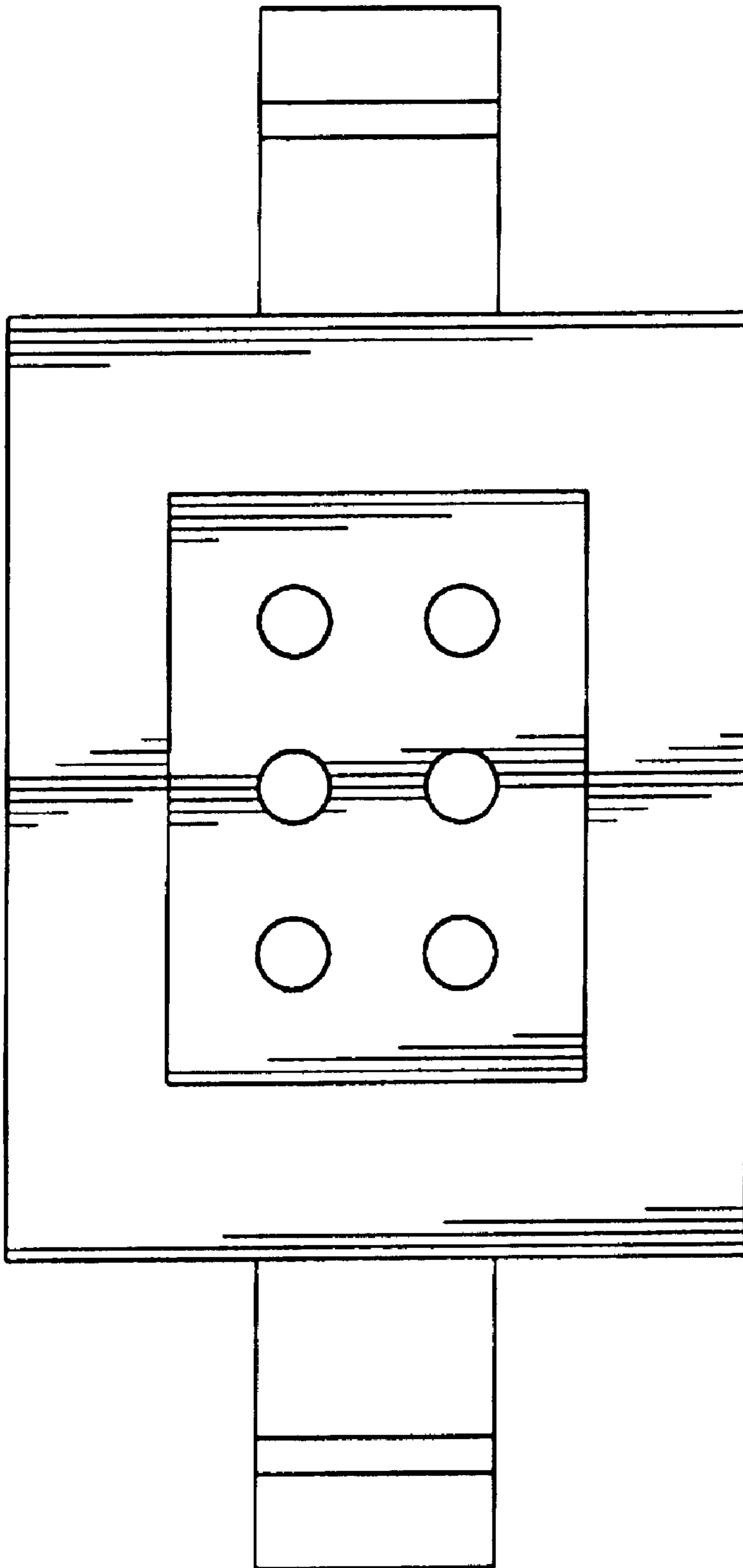


FIG. 3

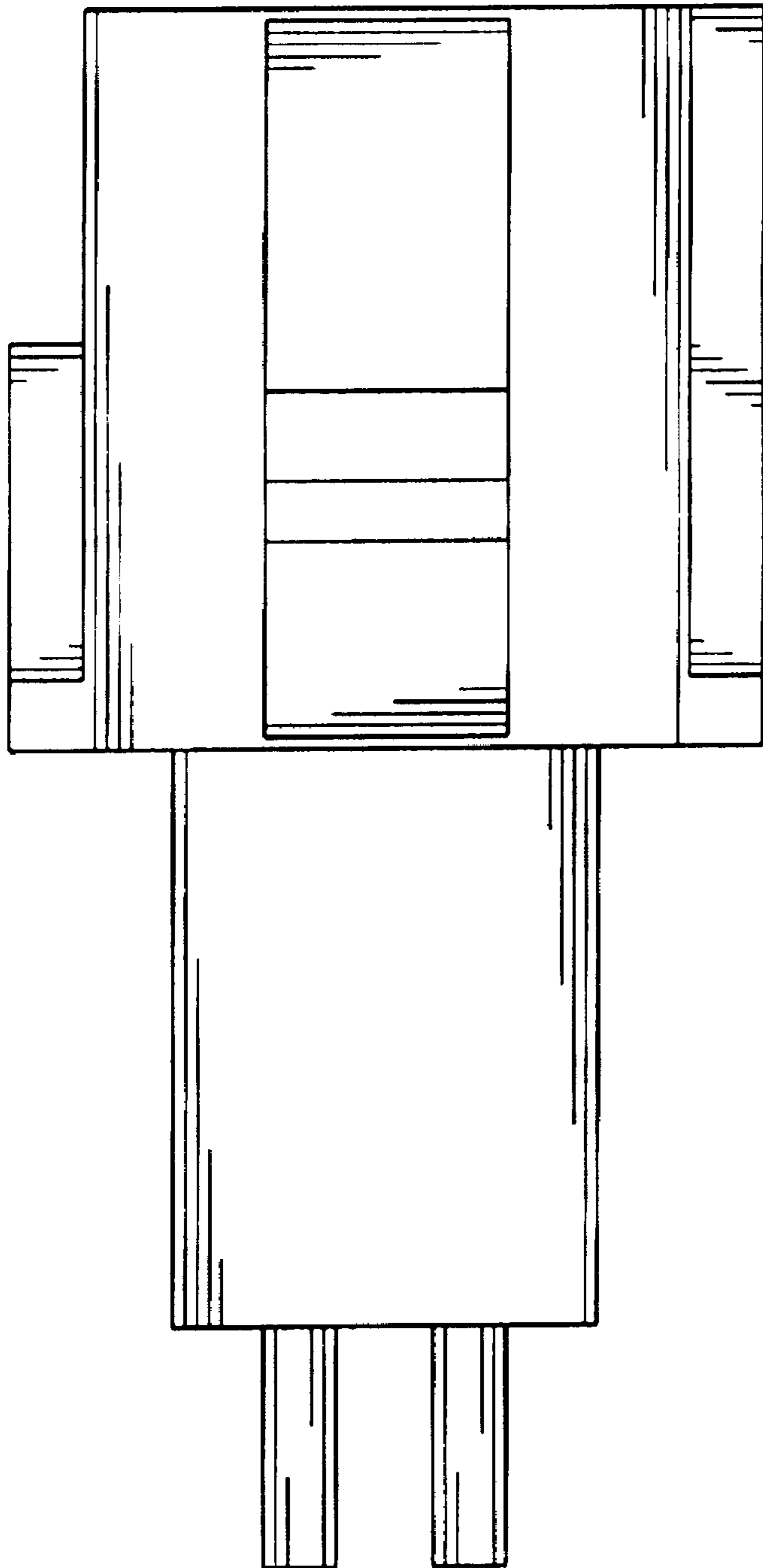


FIG. 4

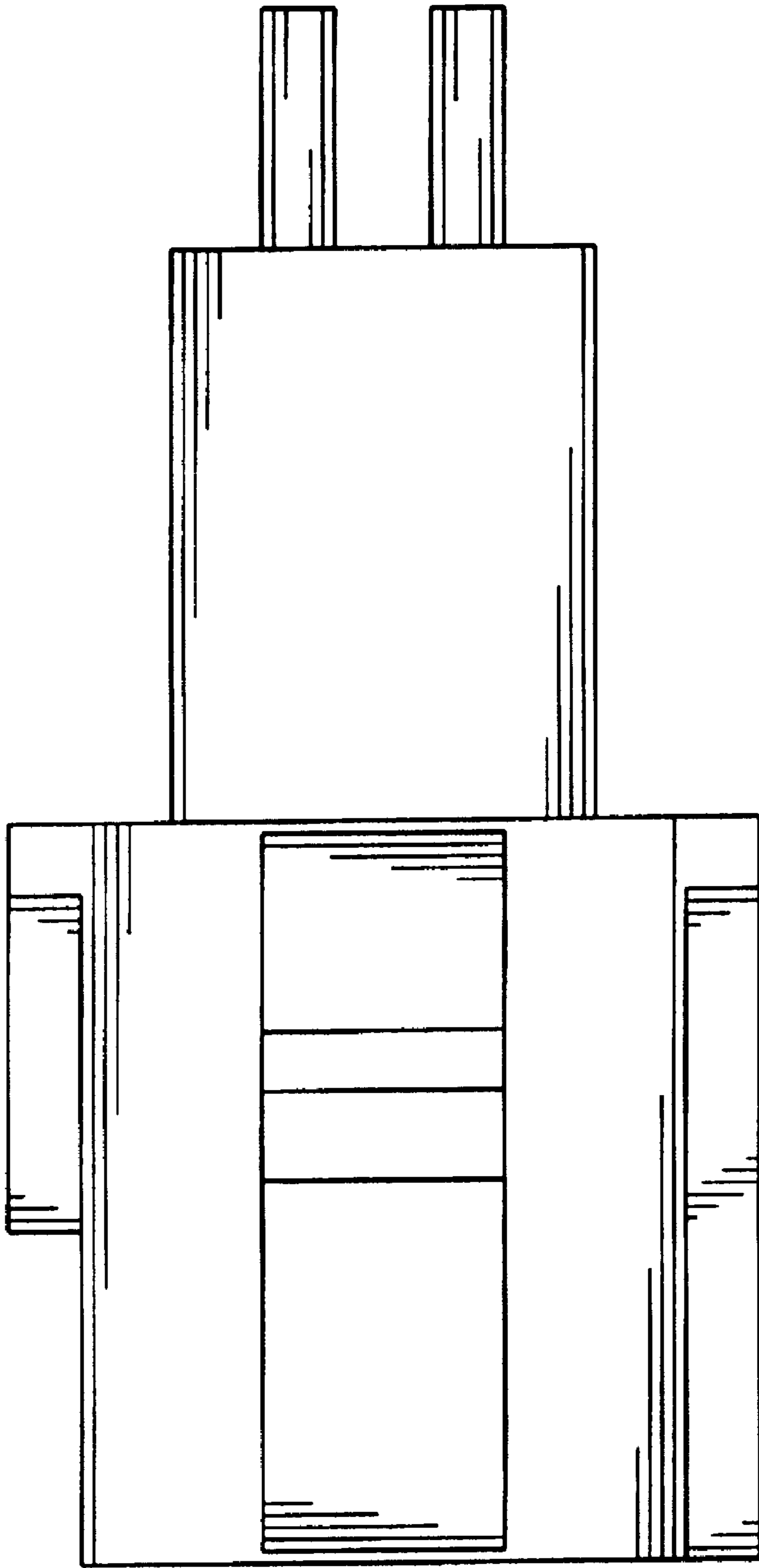


FIG. 5

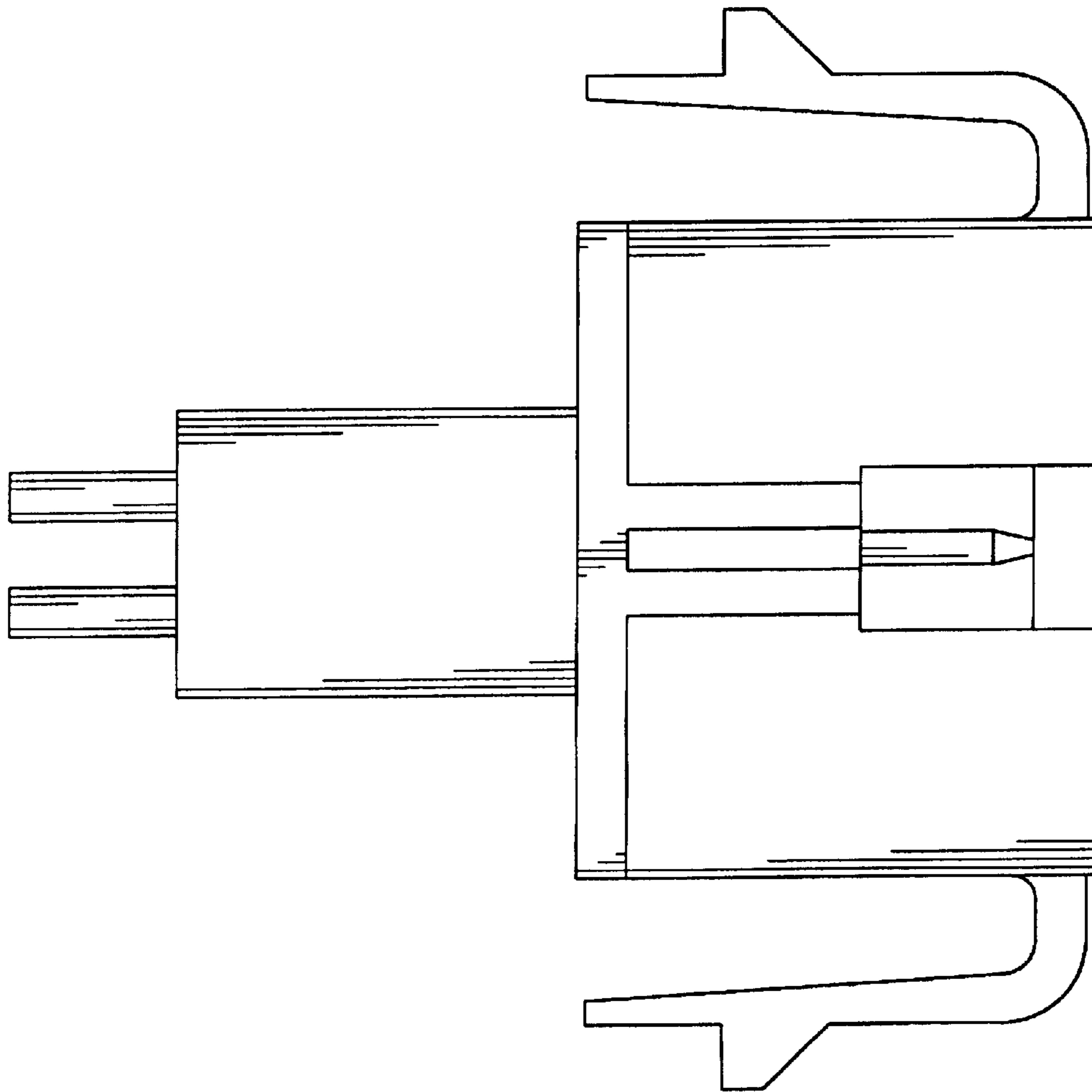


FIG. 6

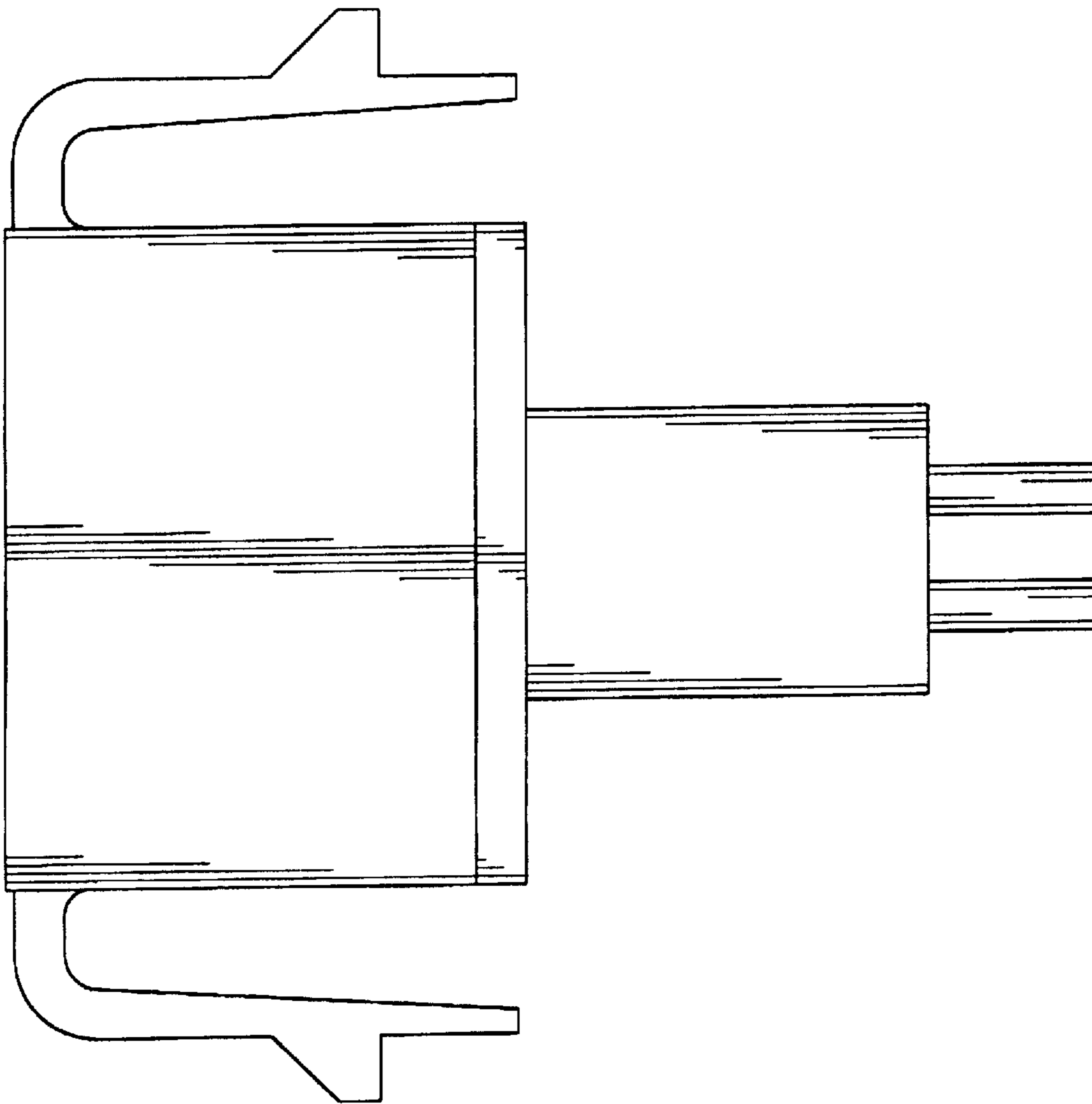


FIG. 7