

US00D434383S

United States Patent [19]

Hu et al.

[11] **Patent Number: Des. 434,383**

[45] **Date of Patent: ** Nov. 28, 2000**

[54] **ELECTRICAL CONNECTOR**

[75] Inventors: **Lun Song Hu; GuoHua Zhang**, both of Kunshan, China

[73] Assignee: **Hon Hai Precision Ind. Co., Ltd.**, Taipei Hsien, Taiwan

[**] Term: **14 Years**

[21] Appl. No.: **29/121,630**

[22] Filed: **Apr. 10, 2000**

[30] **Foreign Application Priority Data**

Mar. 24, 2000 [TW] Taiwan 089301898

[51] **LOC (7) Cl.** **13-03**

[52] **U.S. Cl.** **D13/147**

[58] **Field of Search** D13/146, 147; 439/660, 686, 79, 607-610

[56] **References Cited**

U.S. PATENT DOCUMENTS

D. 379,620 6/1997 Aramaki D13/147

D. 408,014	4/1999	Lai et al.	D13/147
D. 410,896	6/1999	Yotsutani et al.	D13/147
D. 416,538	11/1999	Lok	D13/147
5,975,917	11/1999	Wang et al.	439/79
6,012,931	1/2000	Michaux	439/79
6,065,979	5/2000	Lai et al.	439/79

Primary Examiner—Joel Sincavage
Attorney, Agent, or Firm—Wei Te Chung

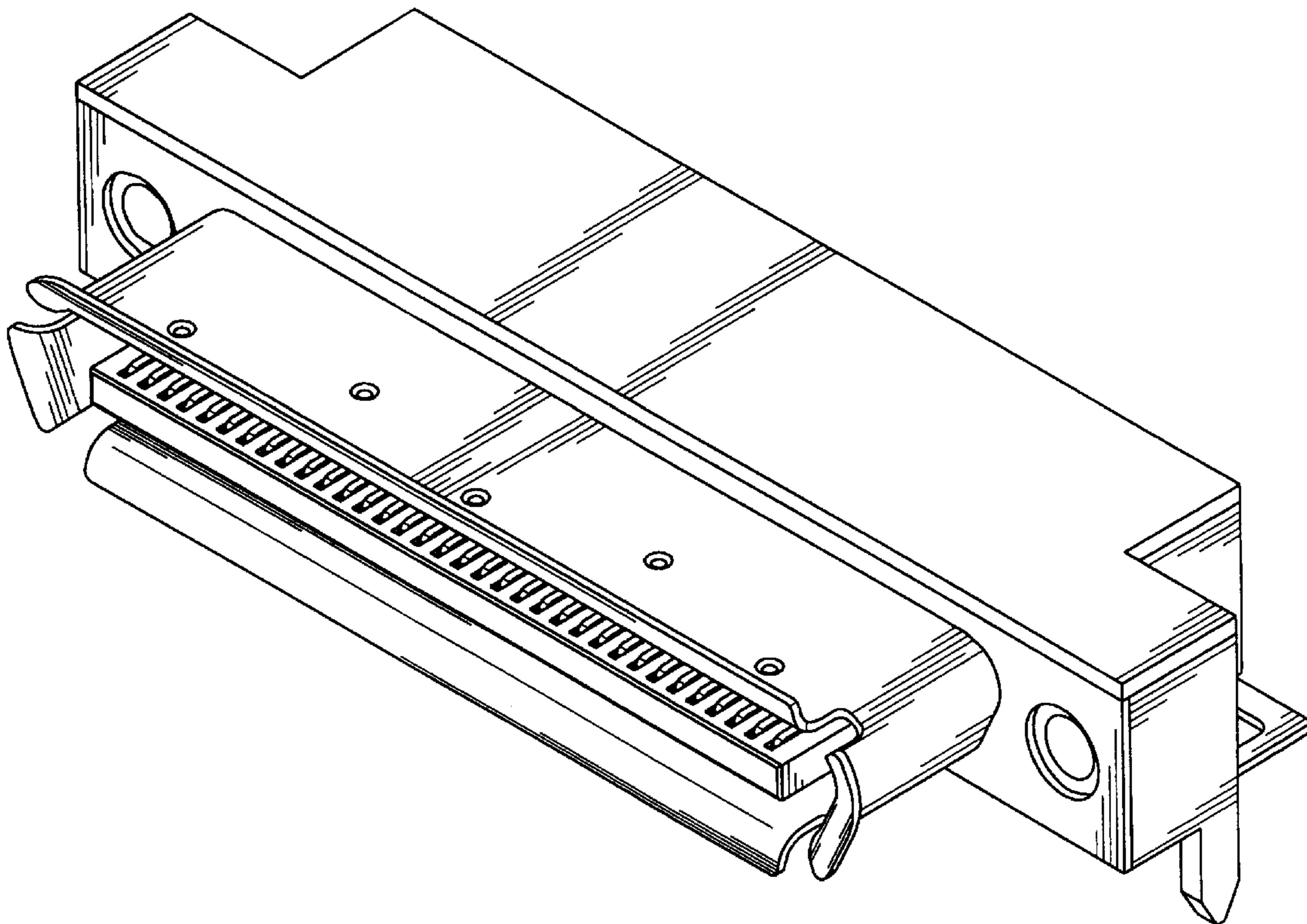
[57] **CLAIM**

The ornamental design for an electrical connector, as shown.

DESCRIPTION

FIG. 1 is a front, top and right side perspective view of an adaptor showing our new design; FIG. 2 is a front elevational view thereof; FIG. 3 is a rear elevational view thereof; FIG. 4 is a left side elevational view thereof; FIG. 5 is a right side elevational view thereof; FIG. 6 is a top plan view thereof; and, FIG. 7 is a bottom plan view thereof.

1 Claim, 7 Drawing Sheets



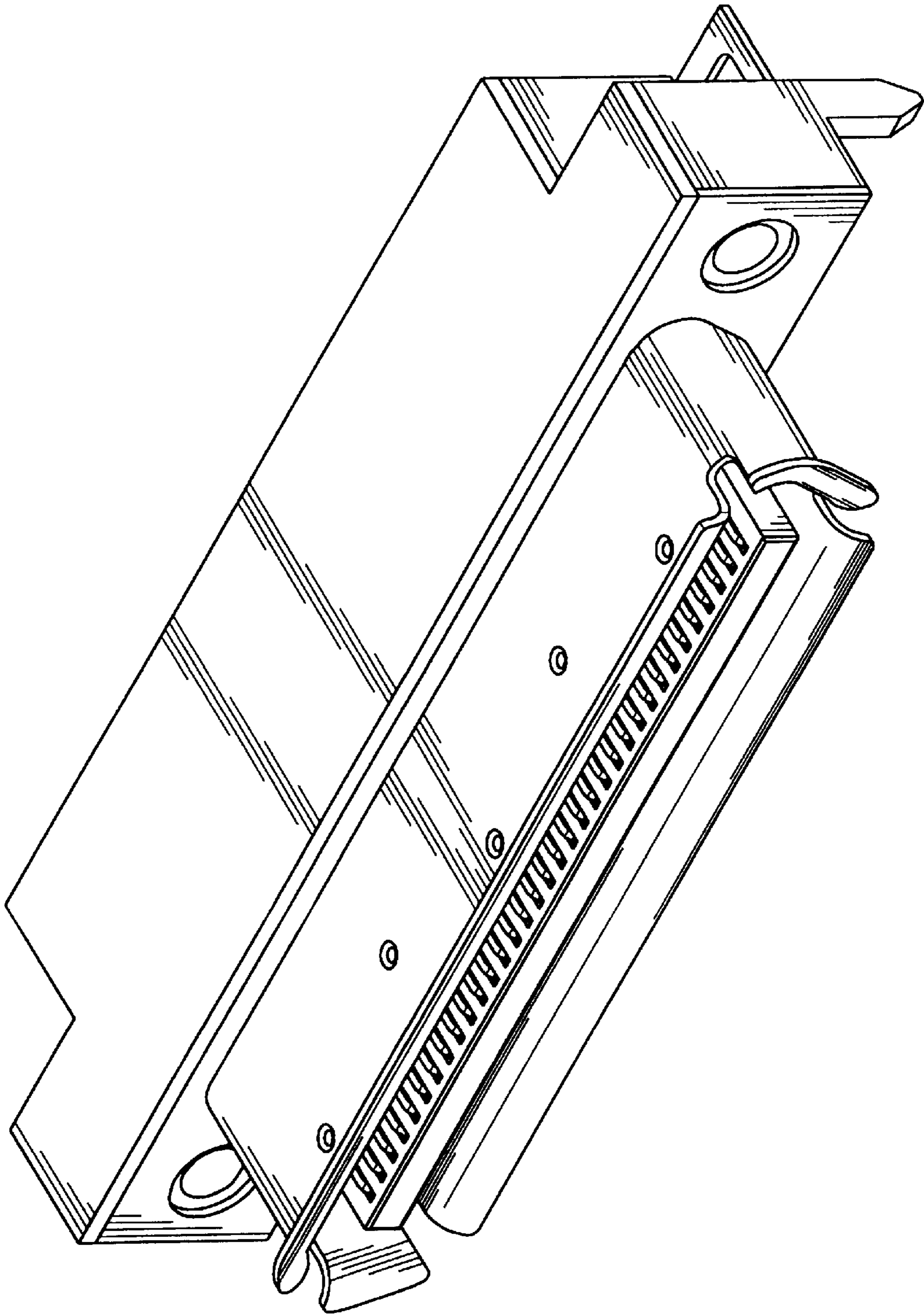


FIG. 1

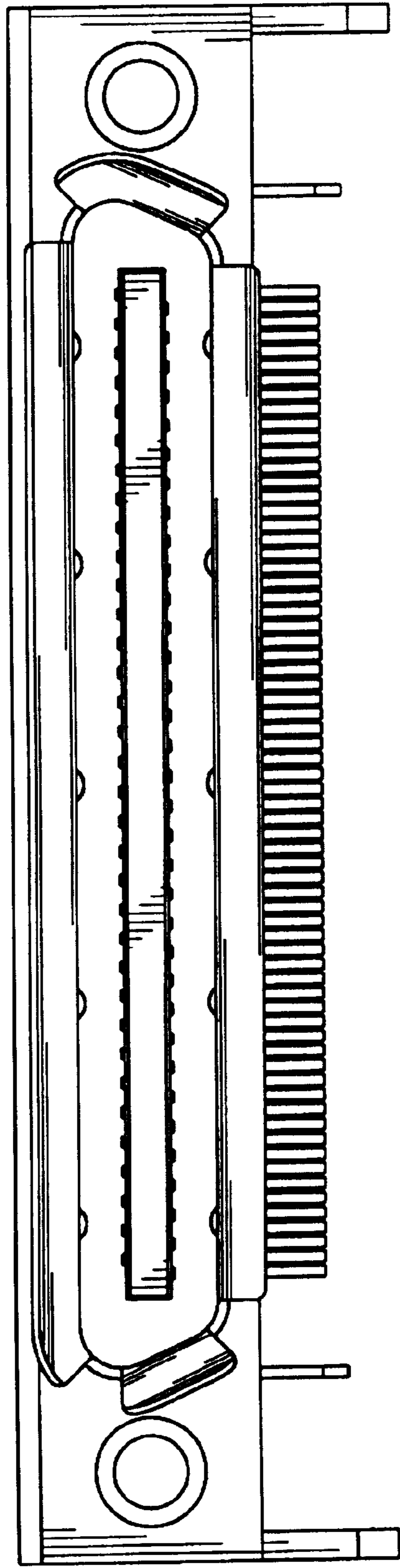


FIG. 2

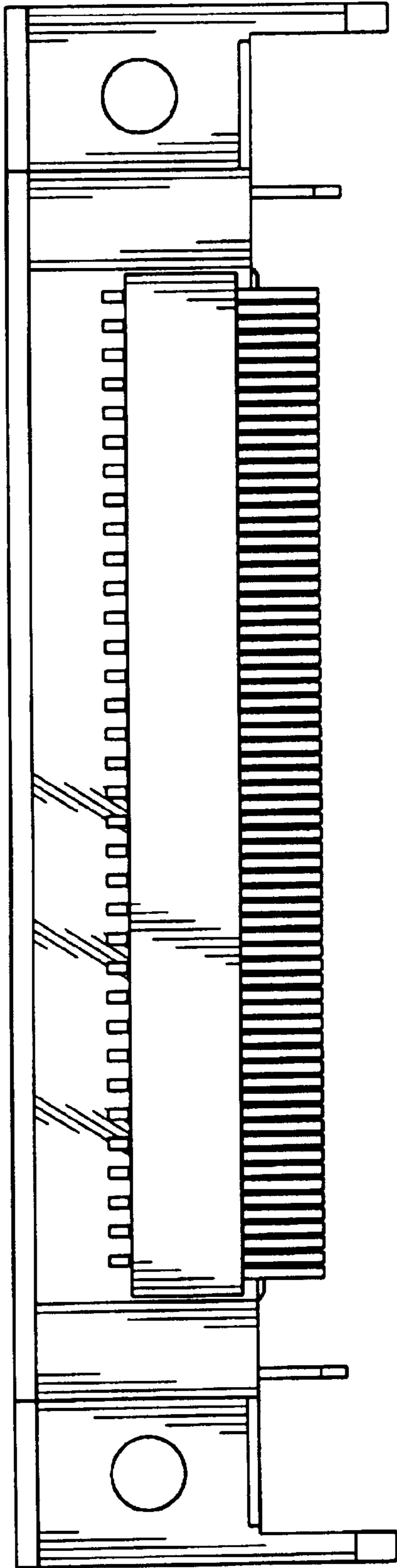


FIG. 3

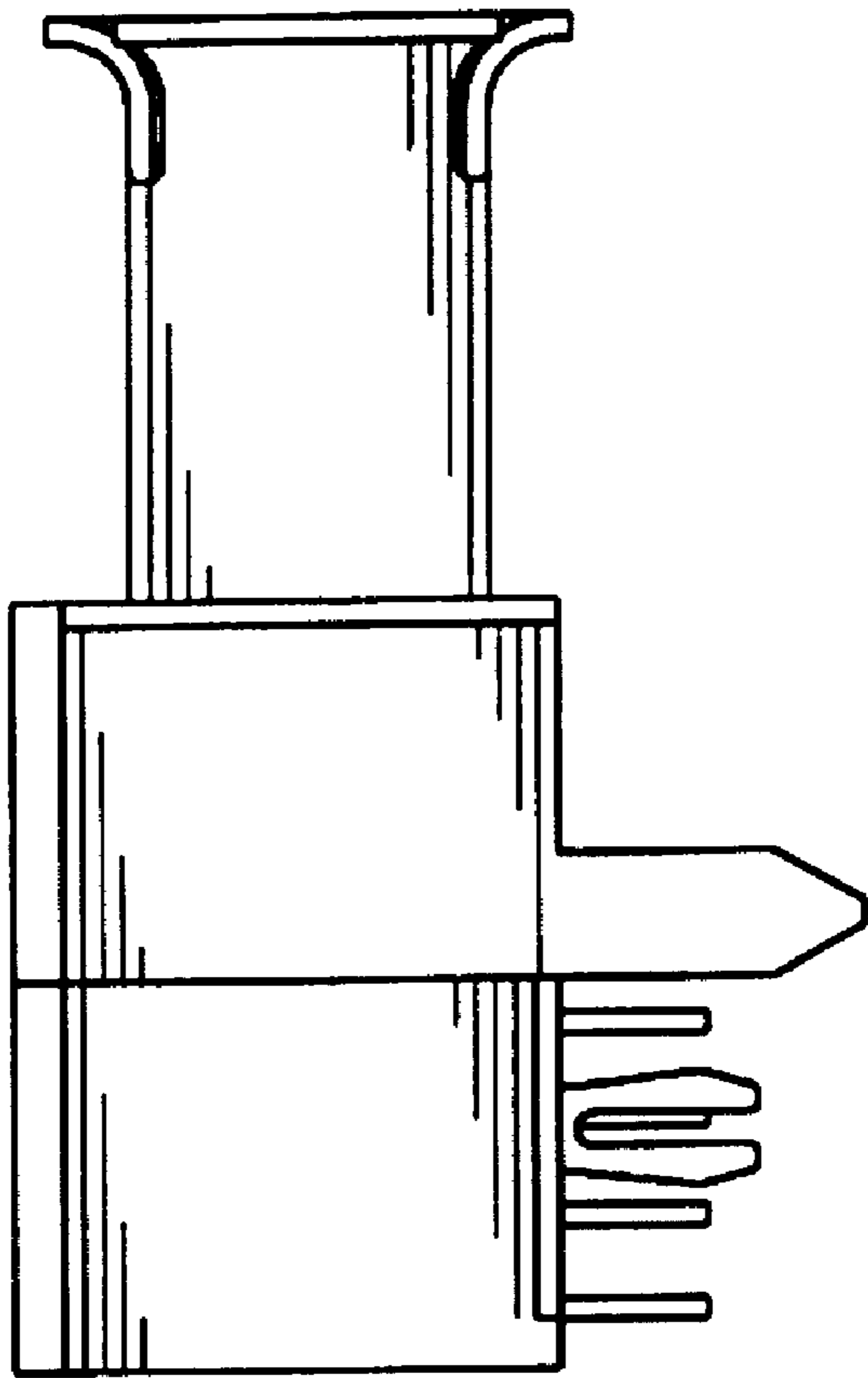


FIG. 4

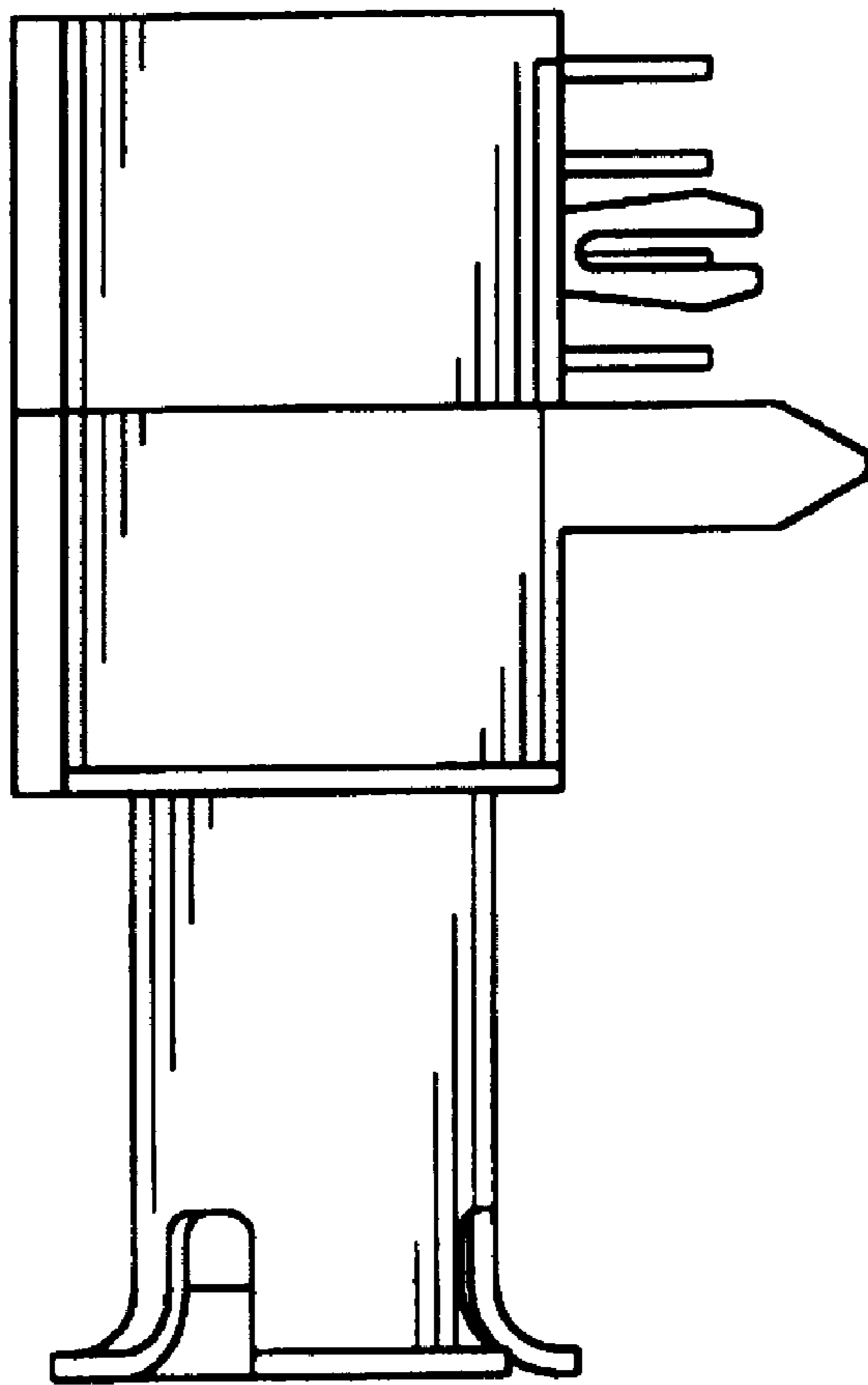


FIG. 5

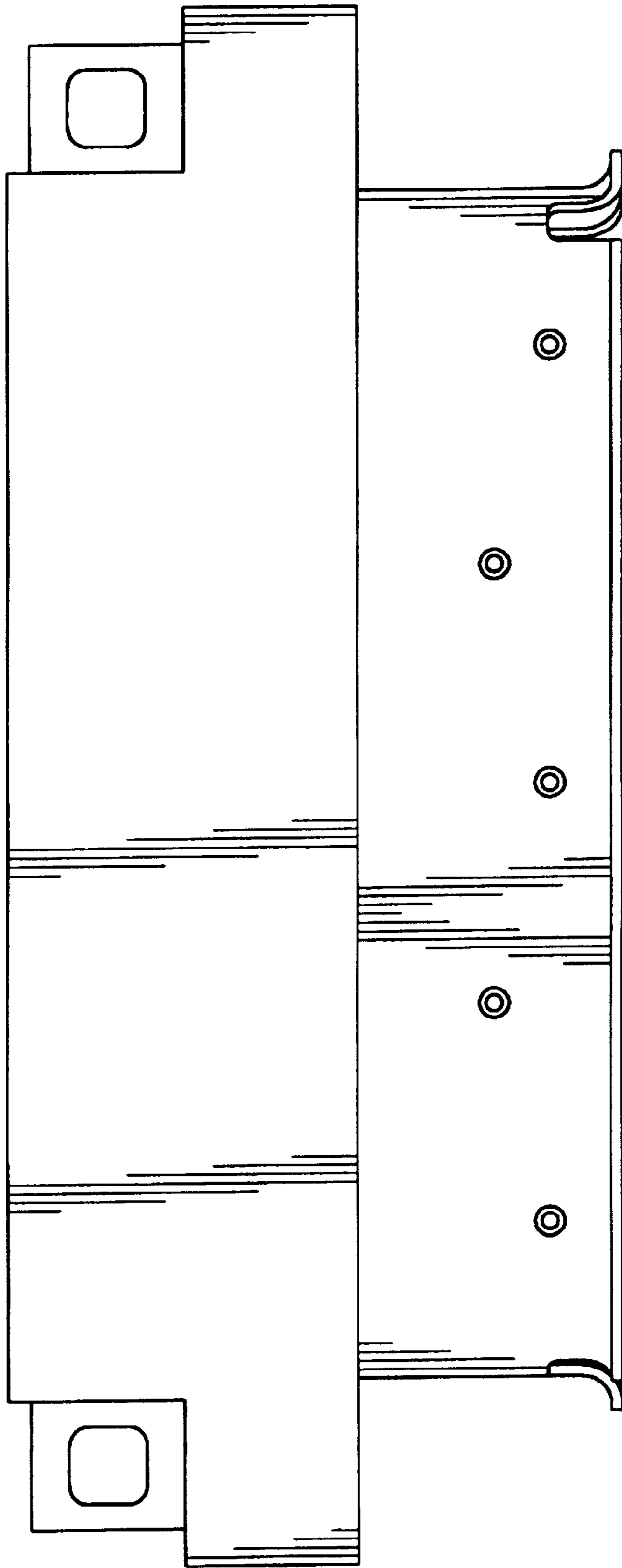


FIG. 6

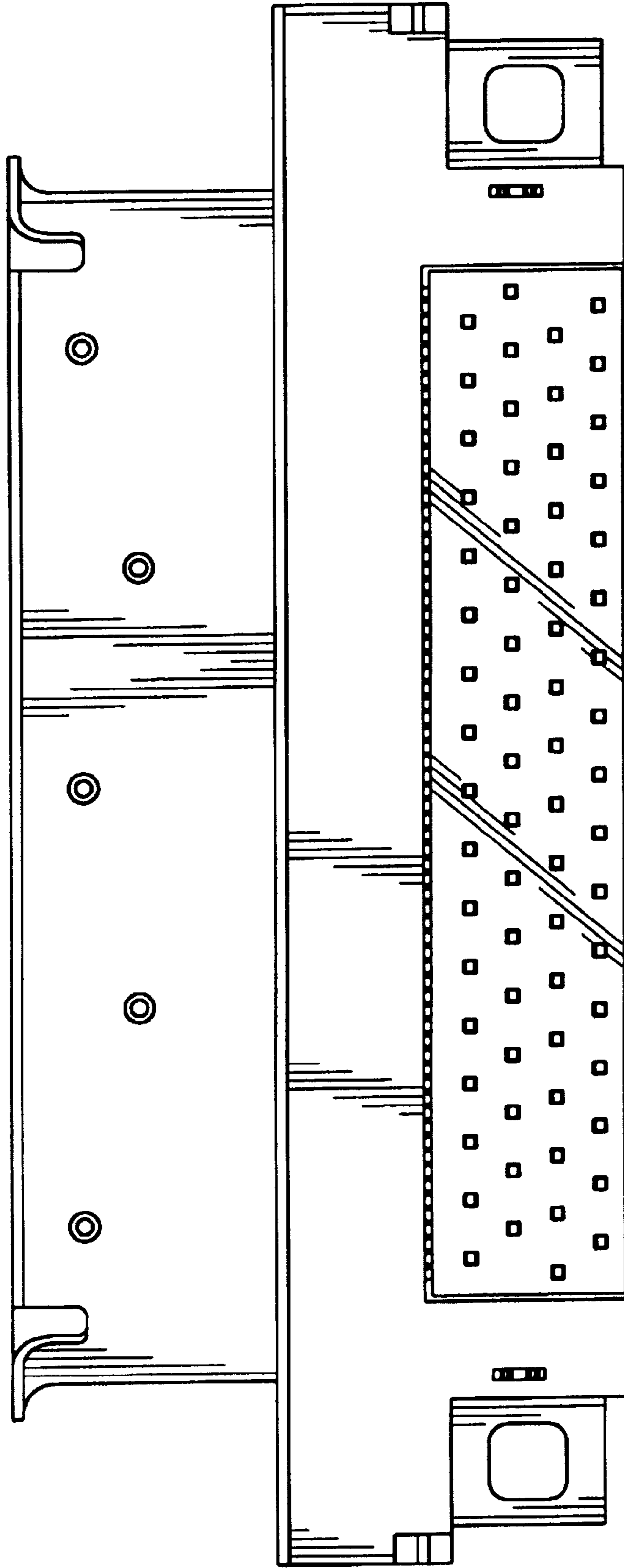


FIG. 7