



US00D434382S

# United States Patent [19] Shimojyo

[11] **Patent Number: Des. 434,382**

[45] **Date of Patent: \*\* Nov. 28, 2000**

[54] **ELECTRICAL CONNECTING SOCKET**

5,928,035 7/1999 Jankowsky et al. .... 439/607  
5,947,754 9/1999 Lin ..... 439/79

[75] Inventor: **Yasuhiro Shimojyo**, Isesaki, Japan

[73] Assignee: **Hosiden Corporation**, Osaka-fu, Japan

*Primary Examiner*—Joel Sincavage  
*Attorney, Agent, or Firm*—Jones, Tullar & Cooper, P.C.

[\*\*] Term: **14 Years**

[57] **CLAIM**

[21] Appl. No.: **29/117,503**

The ornamental design for an electrical connecting socket, as shown and described.

[22] Filed: **Jan. 28, 2000**

**DESCRIPTION**

[30] **Foreign Application Priority Data**

Aug. 9, 1999 [JP] Japan ..... 11-21510

FIG. 1 is a front elevation view of an electrical connecting socket showing my new design;  
FIG. 2 is a rear elevation view thereof;  
FIG. 3 is a top plan view thereof;  
FIG. 4 is a bottom plan view thereof;  
FIG. 5 is a left side view thereof; and,  
FIG. 6 is a right side view thereof.

[51] **LOC (7) Cl.** ..... **13-03**

[52] **U.S. Cl.** ..... **D13/147**

[58] **Field of Search** ..... D13/146, 147;  
439/607-610, 79

[56] **References Cited**

**U.S. PATENT DOCUMENTS**

D. 425,027 5/2000 Nishio et al. .... D13/147

**1 Claim, 2 Drawing Sheets**

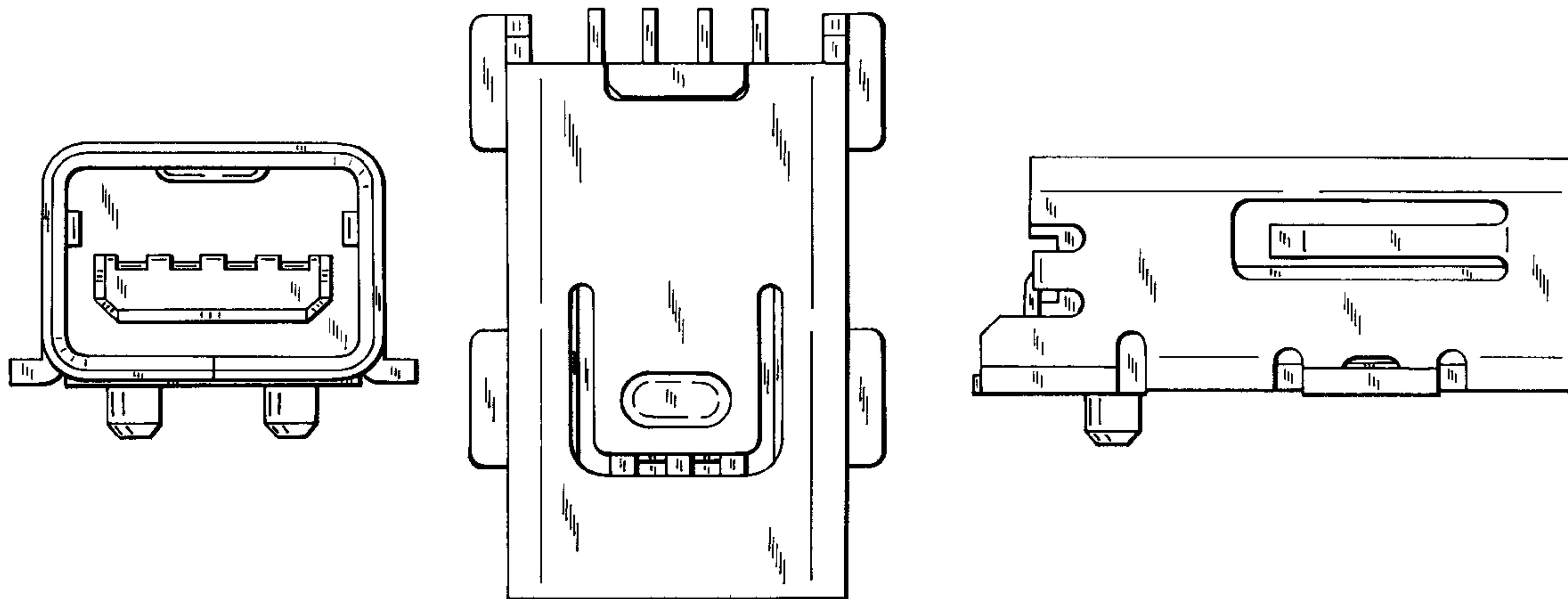


Fig. 1

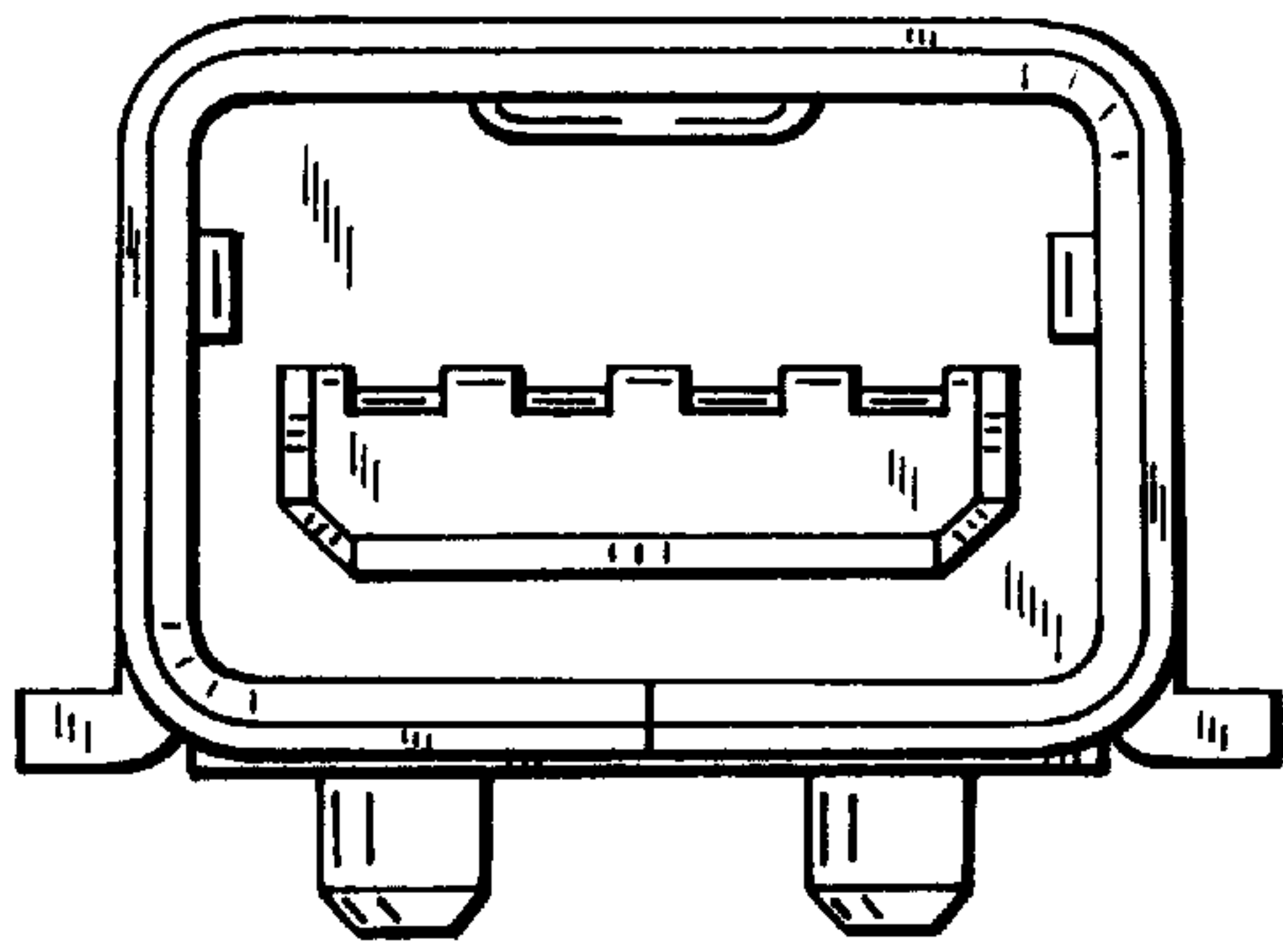


Fig. 2

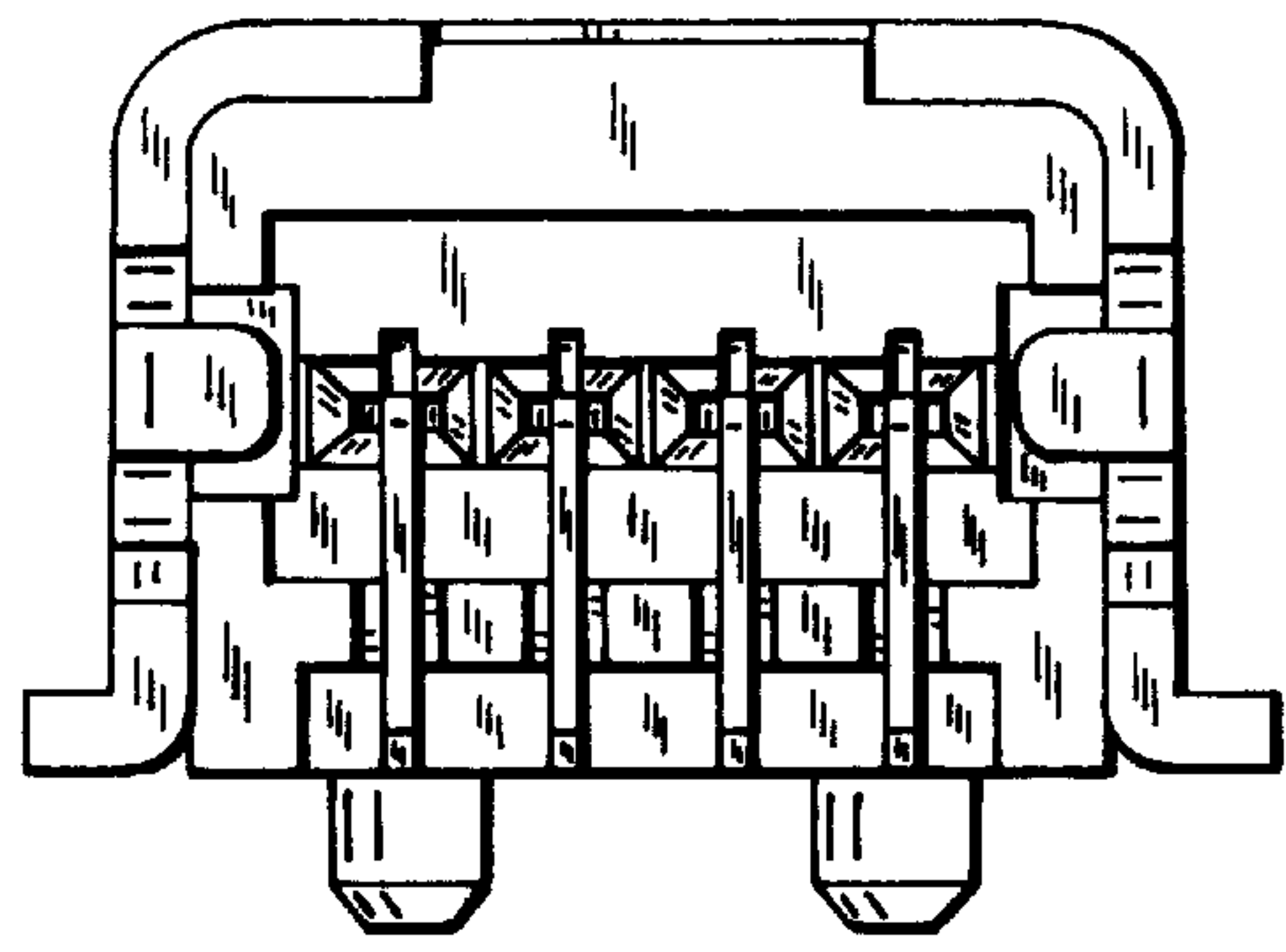


Fig. 3

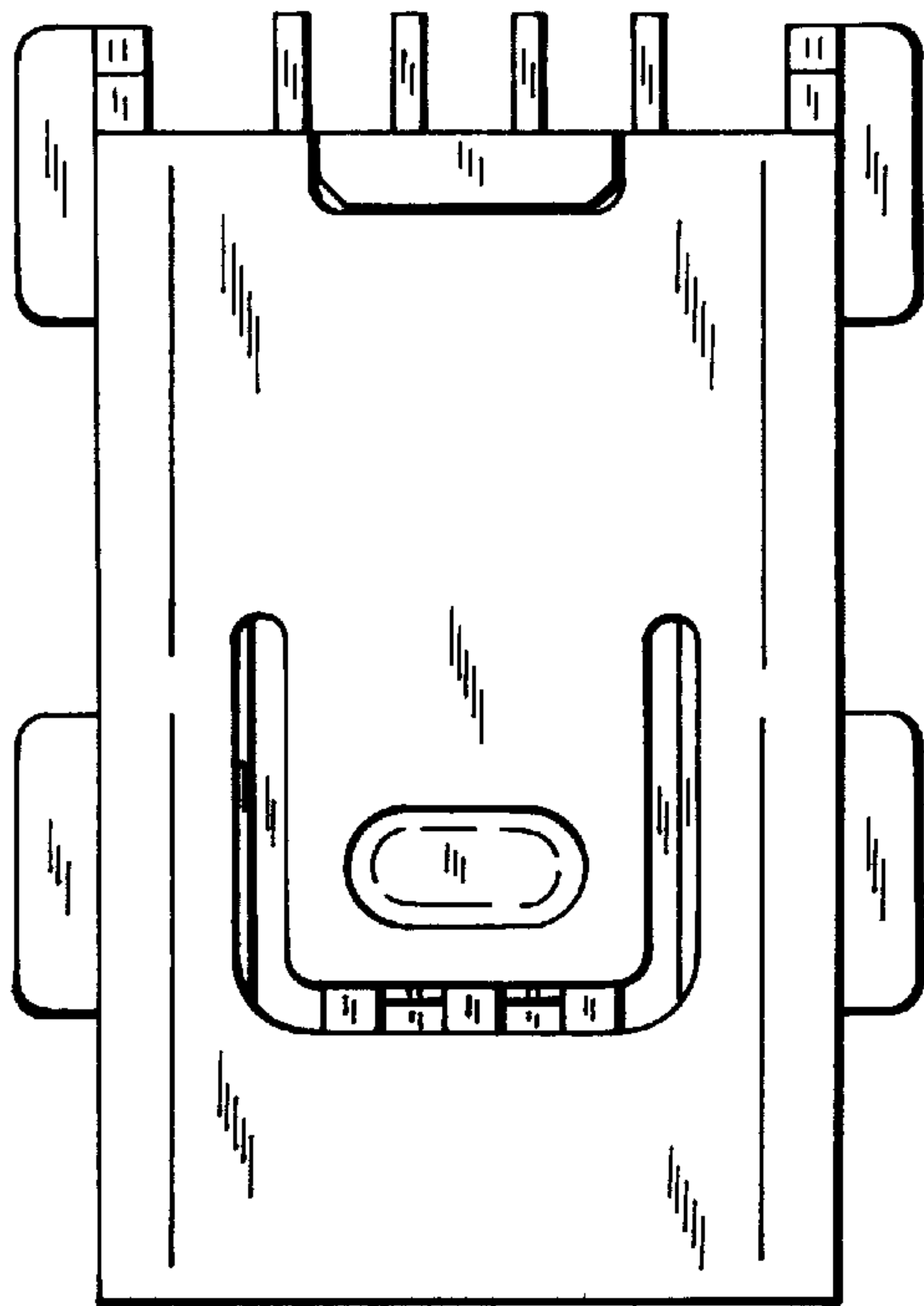


Fig. 4

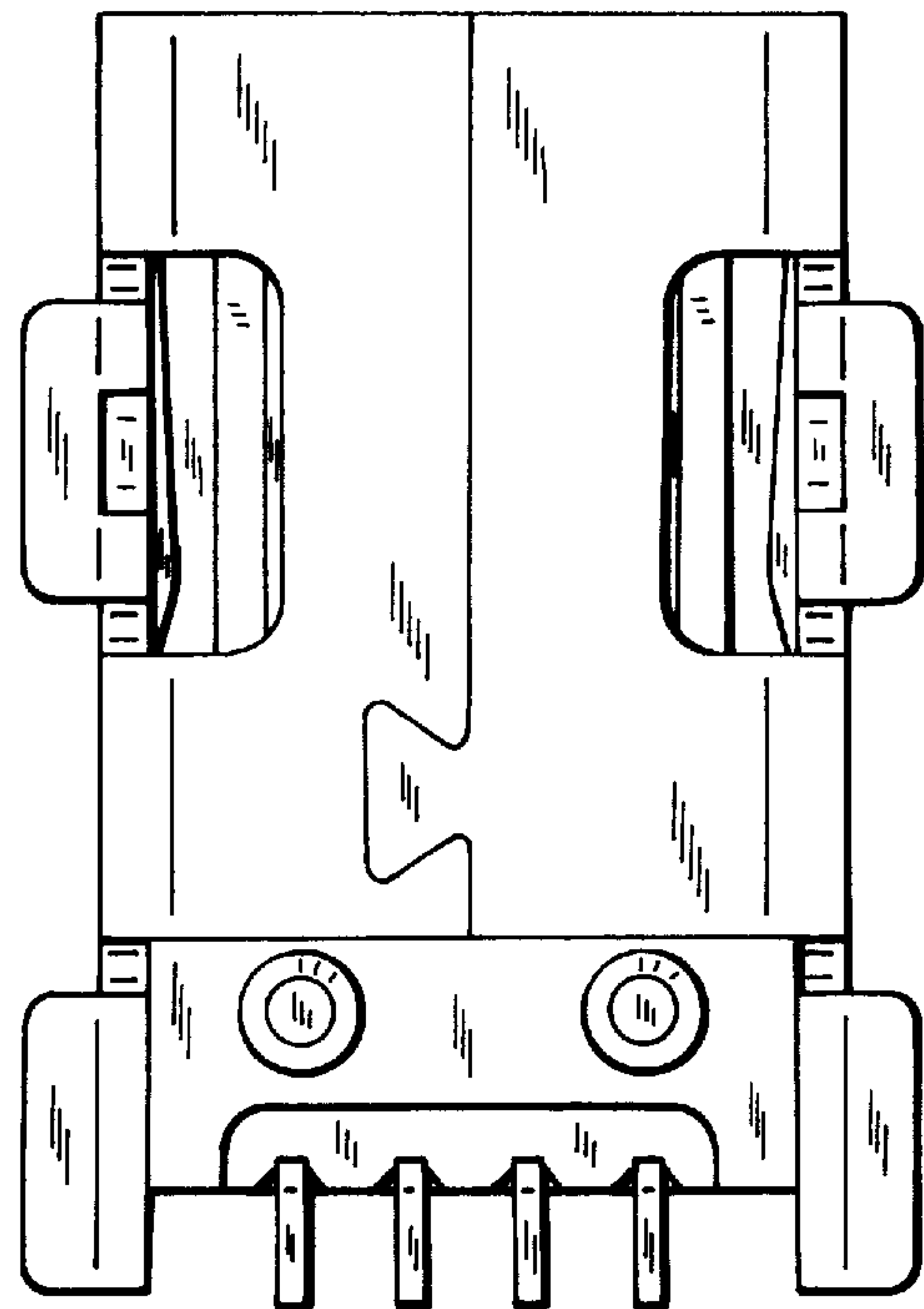


Fig. 5

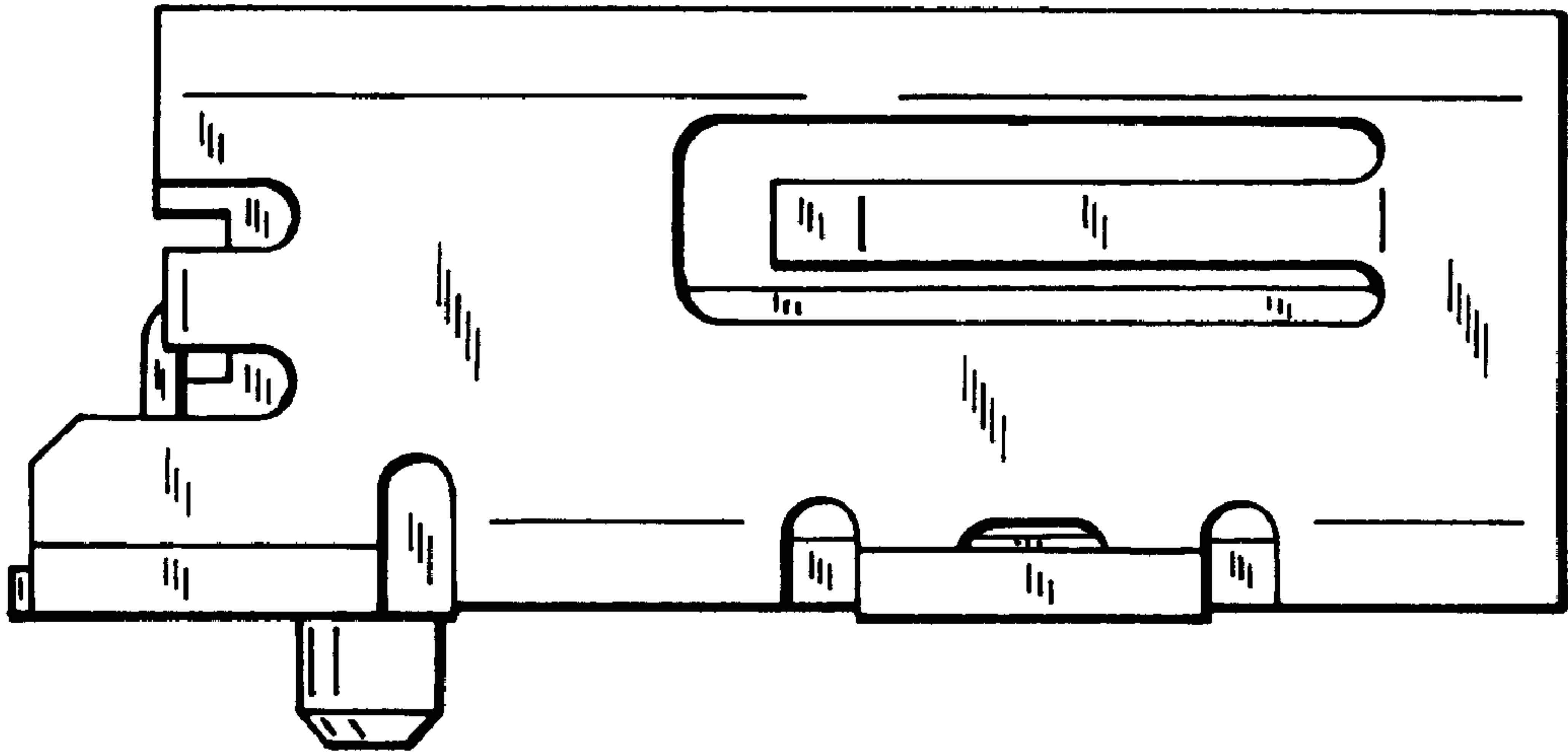


Fig. 6

