



US00D434377S

# United States Patent [19]

[11] **Patent Number: Des. 434,377**

**Bussett et al.**

[45] **Date of Patent: \*\* Nov. 28, 2000**

## [54] CONNECTOR

## DESCRIPTION

[75] Inventors: **Gary Bussett**, Vista; **Hans William Reiss**, Encinitas, both of Calif.

FIG. 1 is a perspective view of the male and female components of the connector;

[73] Assignee: **Medserv Group, Inc.**, Vista, Calif.

FIG. 2 is a left end view of the male component seen in FIG. 1;

[\*\*] Term: **14 Years**

FIG. 3 is a plan view of the male component seen in FIG. 1;

[21] Appl. No.: **29/124,775**

FIG. 4 is a right side view of the male component seen in FIG. 1;

[22] Filed: **Jun. 12, 2000**

FIG. 5 is a bottom view of the male component seen in FIG. 1;

[51] **LOC (7) Cl.** ..... **13-03**

FIG. 6 is a right end view of the male component seen in FIG. 1;

[52] **U.S. Cl.** ..... **D13/133**

FIG. 7 is a right end view of the female component seen in FIG. 1;

[58] **Field of Search** ..... D13/133, 146, D13/147; 439/78, 79, 84, 680

FIG. 8 is a plan view of the female component seen in FIG. 1;

## [56] References Cited

FIG. 9 is a right side view of the female component seen in FIG. 1;

### U.S. PATENT DOCUMENTS

D. 253,409	11/1979	Voelkert	.....	D13/133
D. 422,558	4/2000	Reiss	.....	D13/133
3,824,524	7/1974	Glover	.....	439/680 X
4,008,940	2/1977	Foley	.....	439/354
4,762,388	8/1988	Tanaka et al.	.....	D13/133 X
5,276,755	1/1994	Longhurst	.....	385/88
6,042,424	3/2000	LaCoy et al.	.....	439/608

FIG. 10 is a left end view of the female component seen in FIG. 1; and,

FIG. 11 is a bottom view of the female component seen in FIG. 1.

*Primary Examiner*—Joel Sincavage

*Attorney, Agent, or Firm*—Frank D. Gilliam

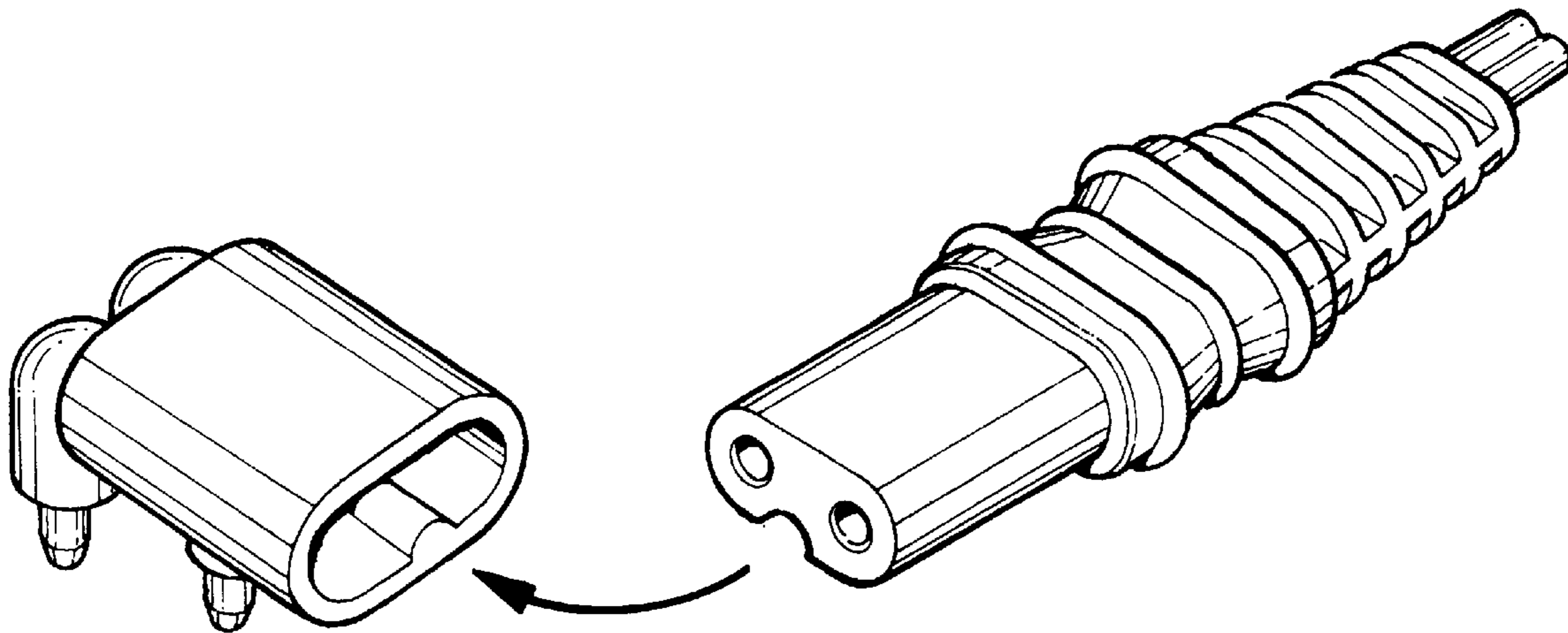
The right and left side views of each of the male and female components are identical mirror images.

The claimed design is directed to the cumulative appearance of both components the connector. The two components are shown separately in FIGS. 2–6 and 7–11 for convenience of illustration.

## [57] CLAIM

The ornamental design for a connector, as shown and described.

**1 Claim, 2 Drawing Sheets**



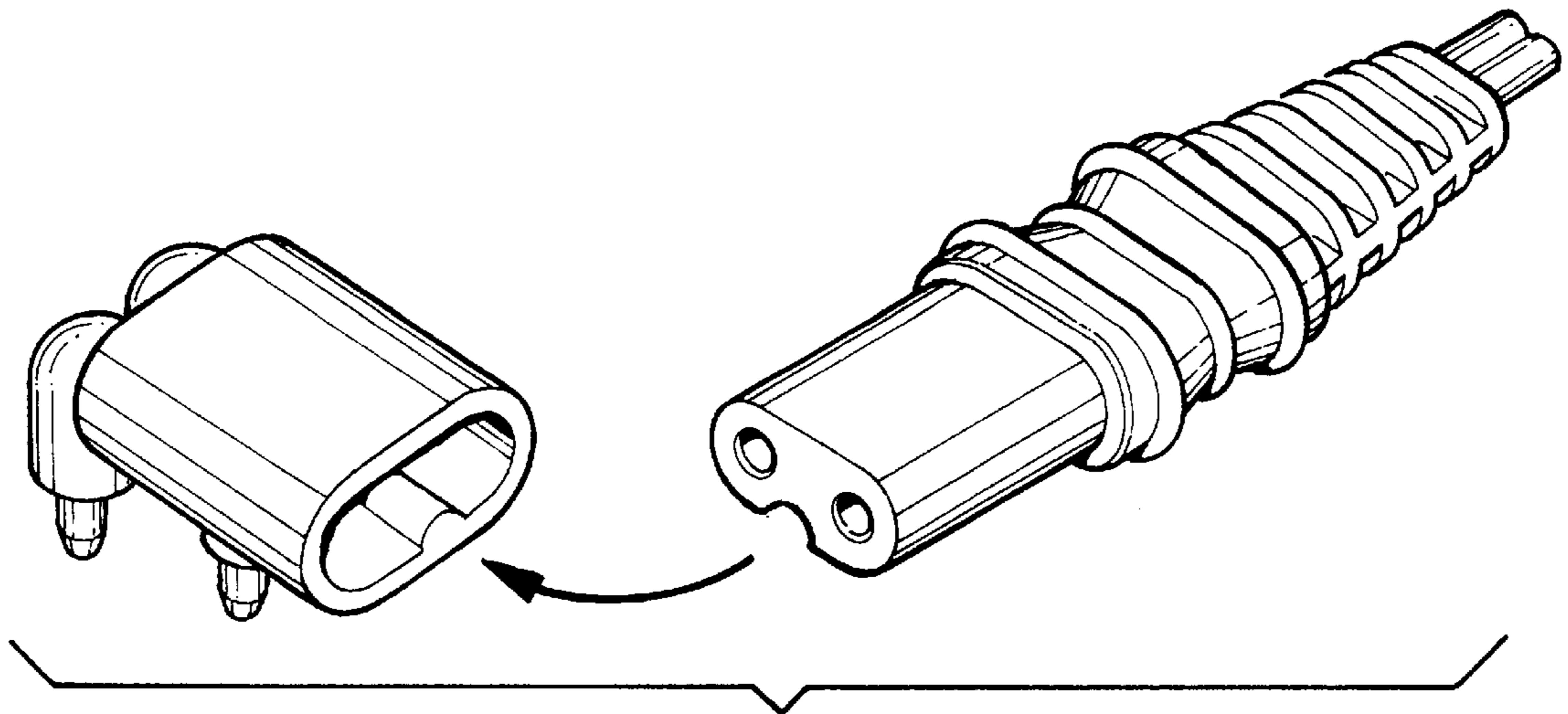


FIGURE 1

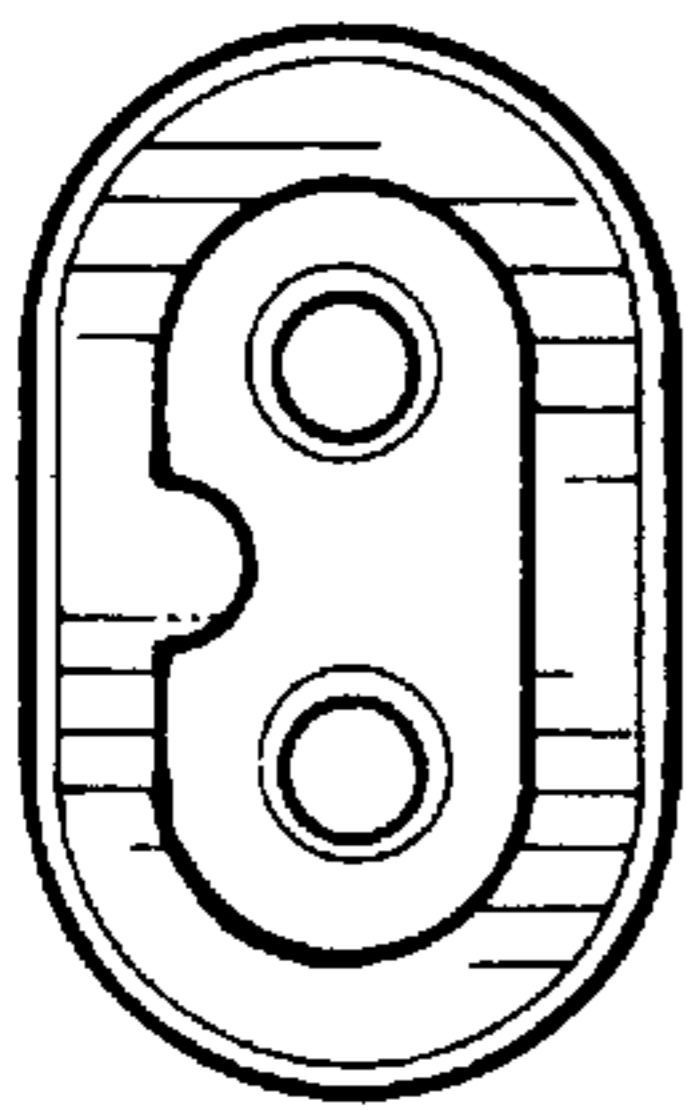


FIGURE 2

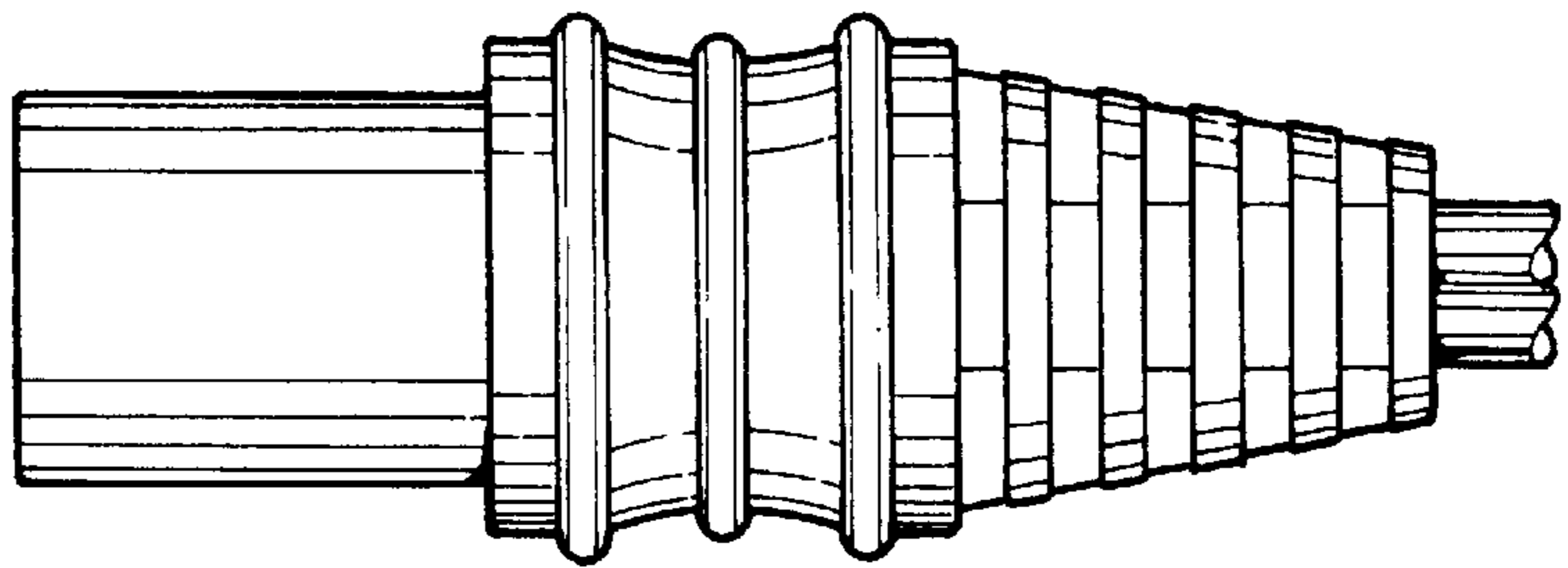


FIGURE 3

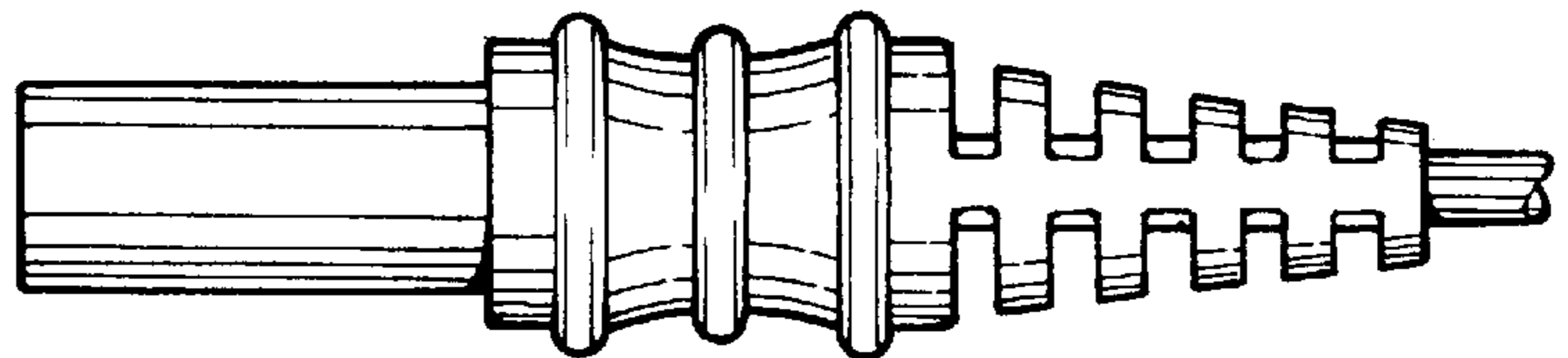


FIGURE 4

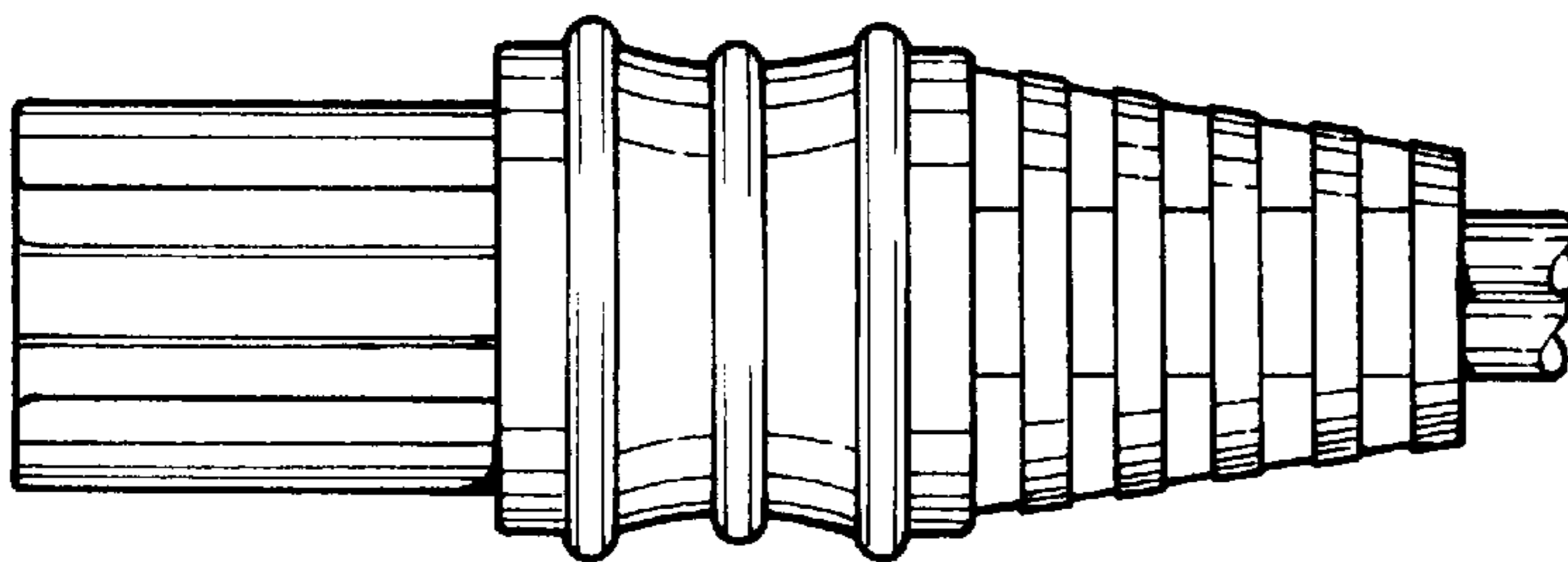


FIGURE 5

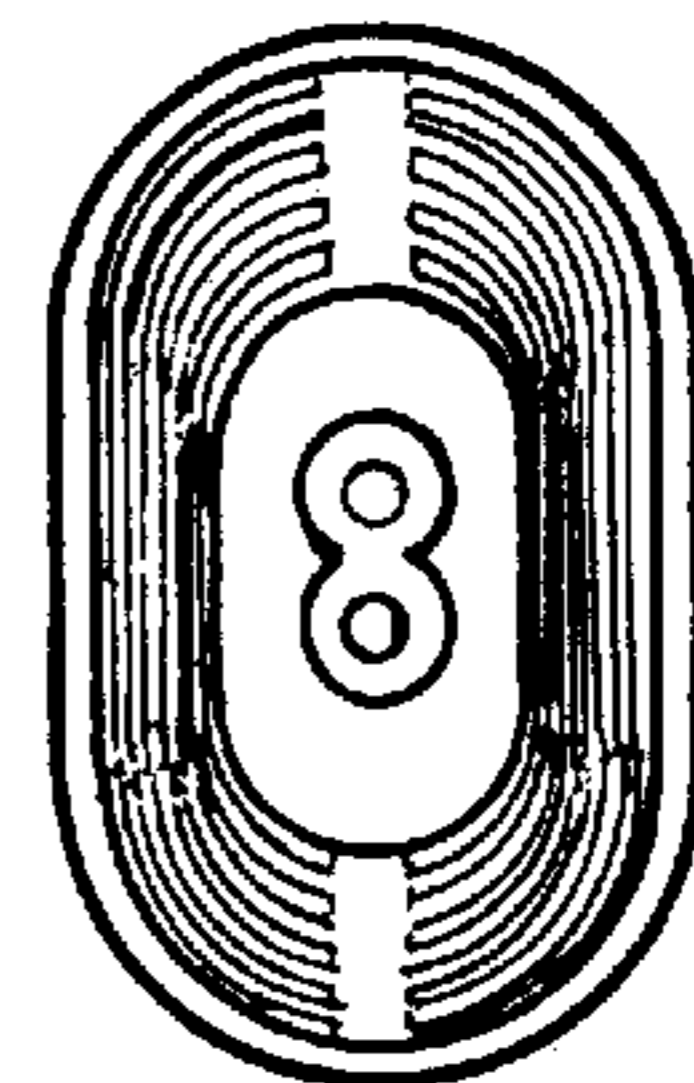


FIGURE 6

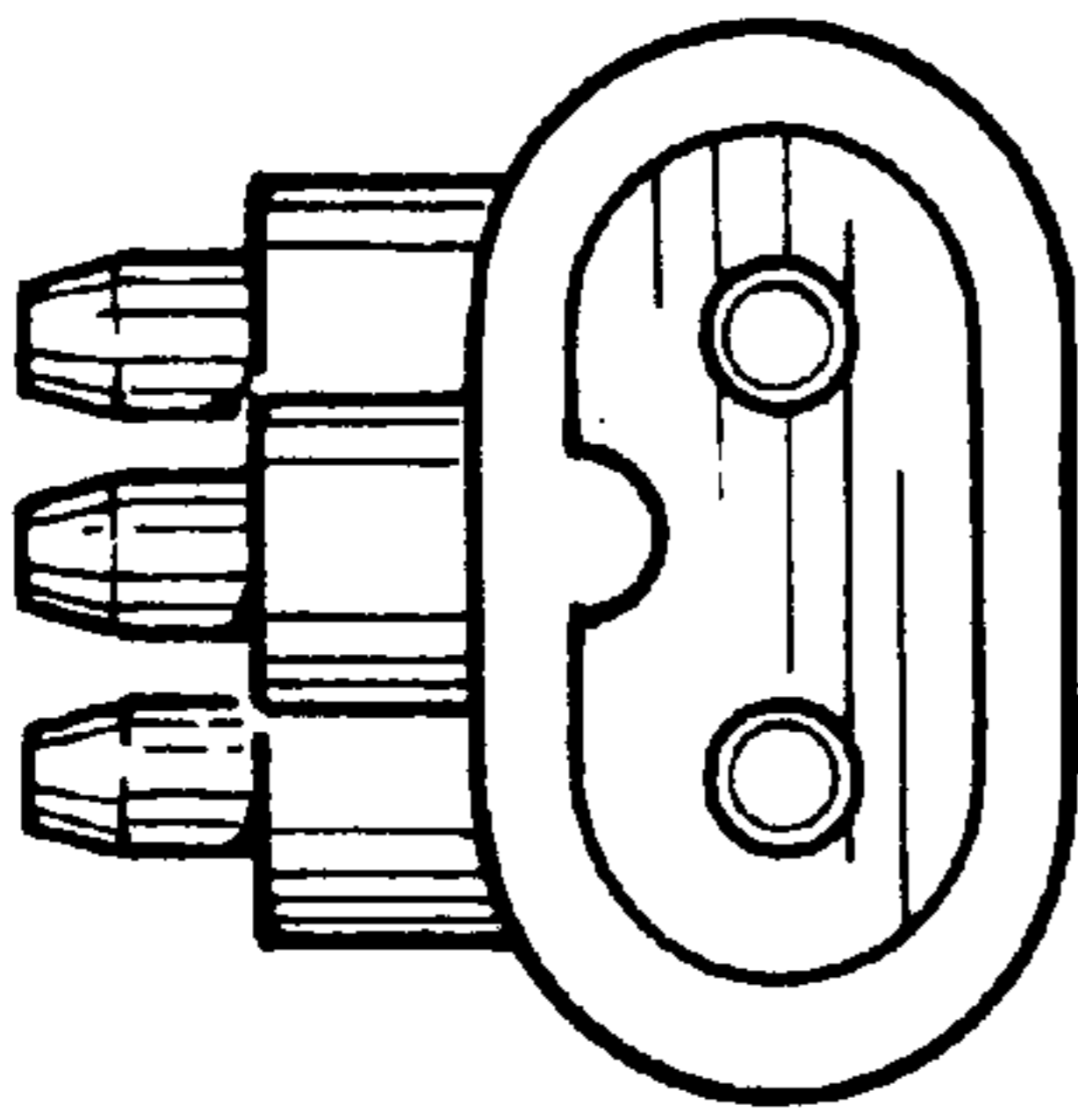


FIGURE 7

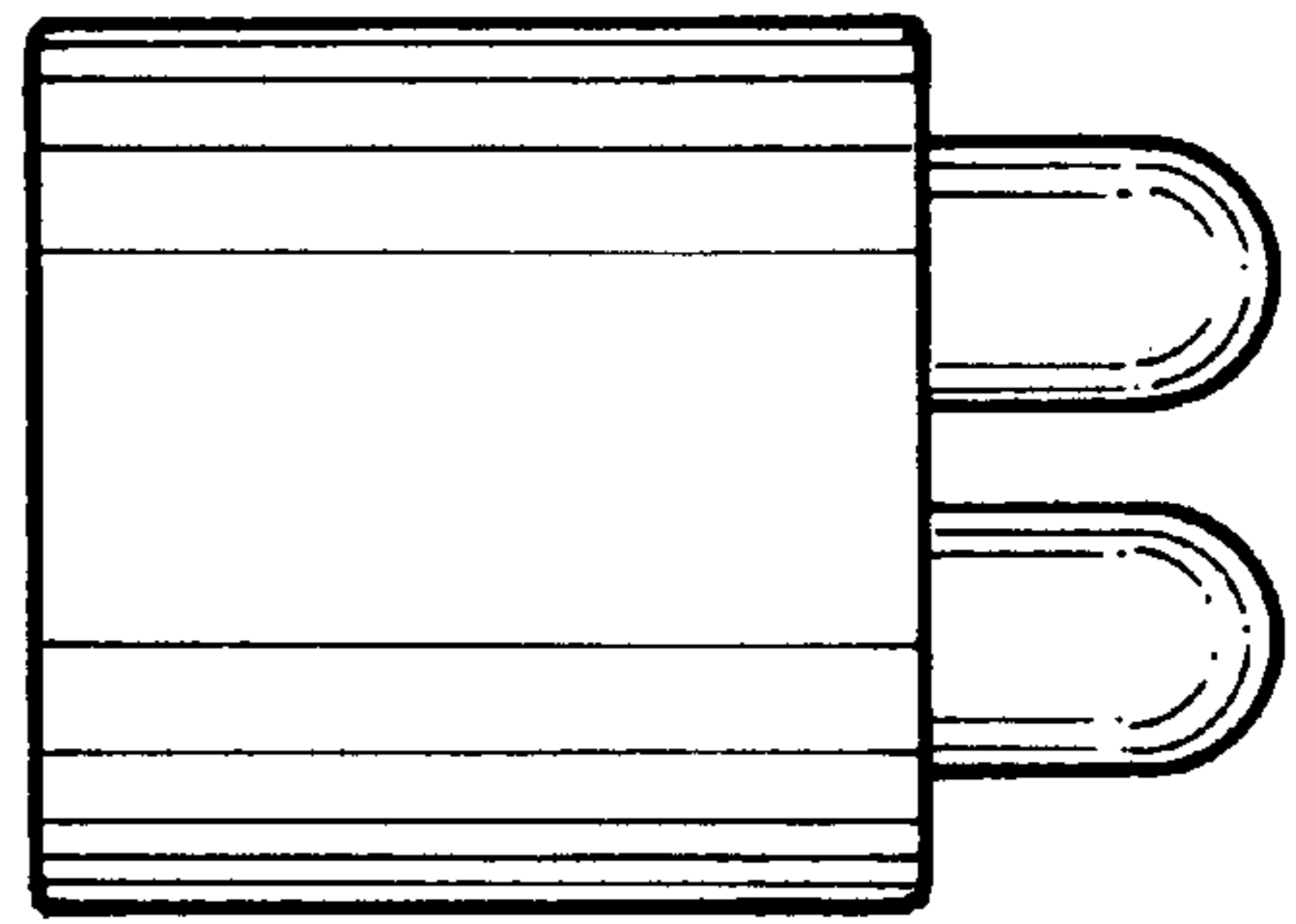


FIGURE 8

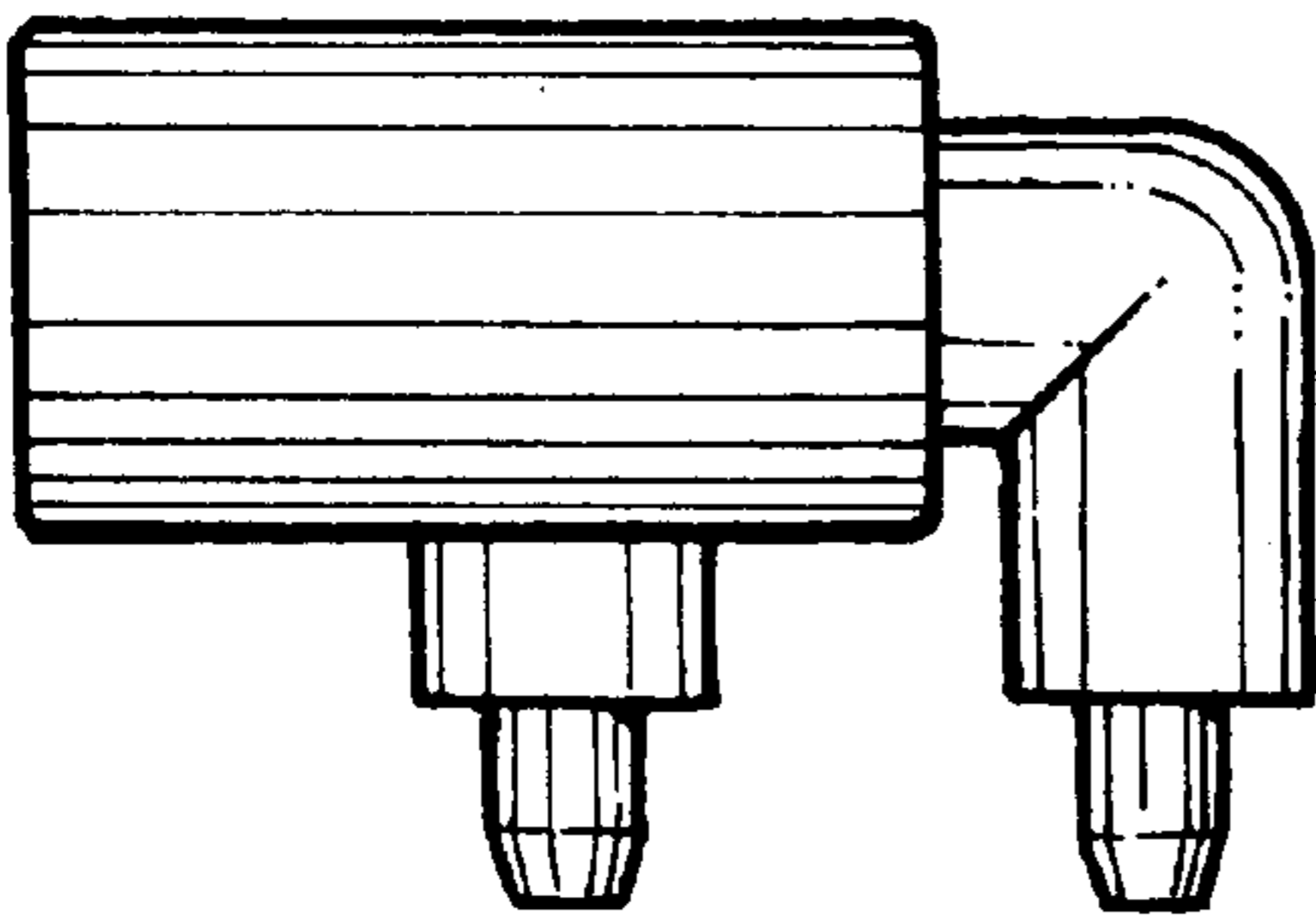


FIGURE 9

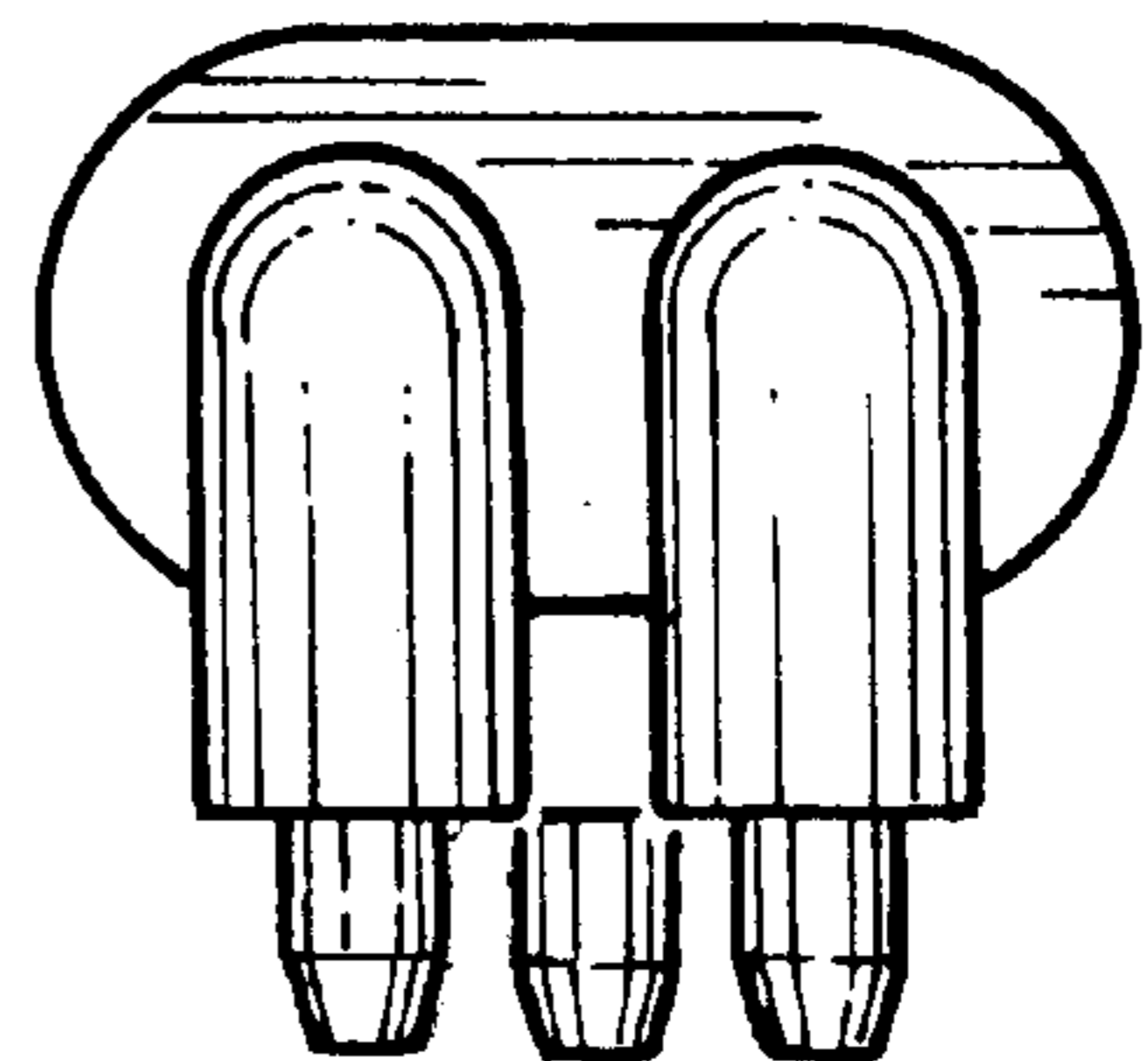


FIGURE 10

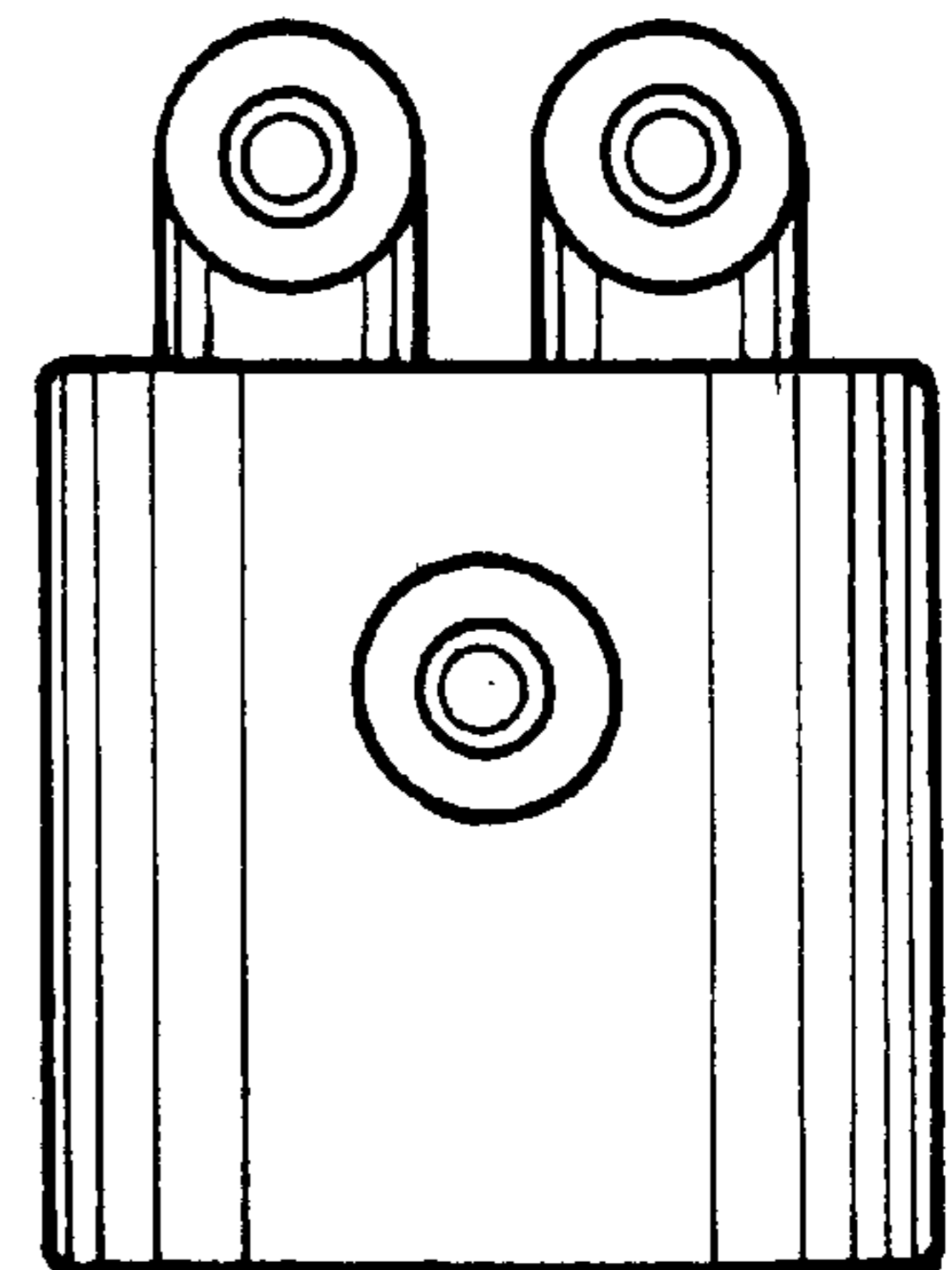


FIGURE 11