



US00D434376S

United States Patent [19]
Connelly

[11] **Patent Number: Des. 434,376**

[45] **Date of Patent: ** Nov. 28, 2000**

[54] **FIBER OPTIC PLUG CONNECTOR**

[75] Inventor: **John M. Connelly**, Tinley Park, Ill.

[73] Assignee: **Panduit Corp.**, Tinley Park, Ill.

[**] Term: **14 Years**

[21] Appl. No.: **29/118,186**

[22] Filed: **Feb. 7, 2000**

[51] **LOC (7) Cl.** **13-03**

[52] **U.S. Cl.** **D13/133**

[58] **Field of Search** D13/133, 146,
D13/147; 385/55, 56, 59, 76, 77, 88, 89,
136

[56] **References Cited**

U.S. PATENT DOCUMENTS

D. 327,053	6/1992	Weber	D13/133
D. 384,034	9/1997	Kuprewicz et al.	D13/133
D. 388,766	1/1998	Kuprewicz et al.	.	
D. 413,302	8/1999	Sekiguchi et al.	D13/133
D. 427,149	6/2000	Konno et al.	D13/133
4,679,895	7/1987	Huber	385/87
4,762,388	8/1988	Tanaka et al.	.	
4,798,440	1/1989	Hoffer et al.	.	
5,016,968	5/1991	Hammond et al.	.	
5,100,339	3/1992	Sato et al.	.	

5,259,053	11/1993	Schaffer et al.	.	
5,293,581	3/1994	DiMarco	385/76
5,333,221	7/1994	Briggs et al.	.	
5,619,604	4/1997	Shiflett et al.	.	
5,692,080	11/1997	Lu	.	
5,915,058	6/1999	Clairardin et al.	.	
6,004,041	12/1999	Kunishi	385/59
6,007,256	12/1999	Asada et al.	385/59

Primary Examiner—Joel Sincavage
Attorney, Agent, or Firm—Robert A. McCann

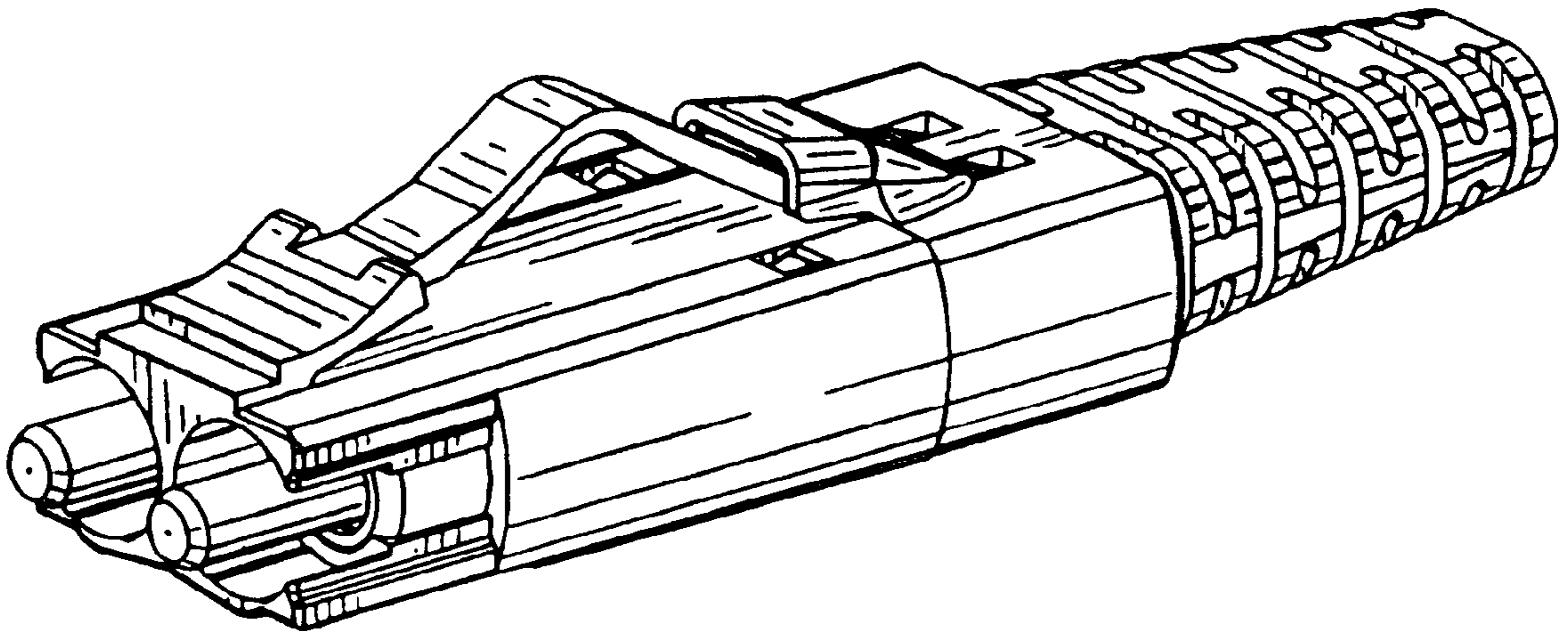
[57] **CLAIM**

The ornamental design for a fiber optic plug connector, as shown and described.

DESCRIPTION

FIG. 1 is a front top perspective view of a fiber optic plug connector showing our new design;
FIG. 2 is a rear top perspective view thereof;
FIG. 3 is a front bottom perspective view thereof;
FIG. 4 is a left side elevational view thereof;
FIG. 5 is a right side elevational view thereof;
FIG. 6 is a front elevational view thereof;
FIG. 7 is a rear elevational view thereof;
FIG. 8 is a top plan view thereof;
FIG. 9 is a bottom plan view thereof; and,
FIG. 10 is an exploded view thereof.

1 Claim, 3 Drawing Sheets



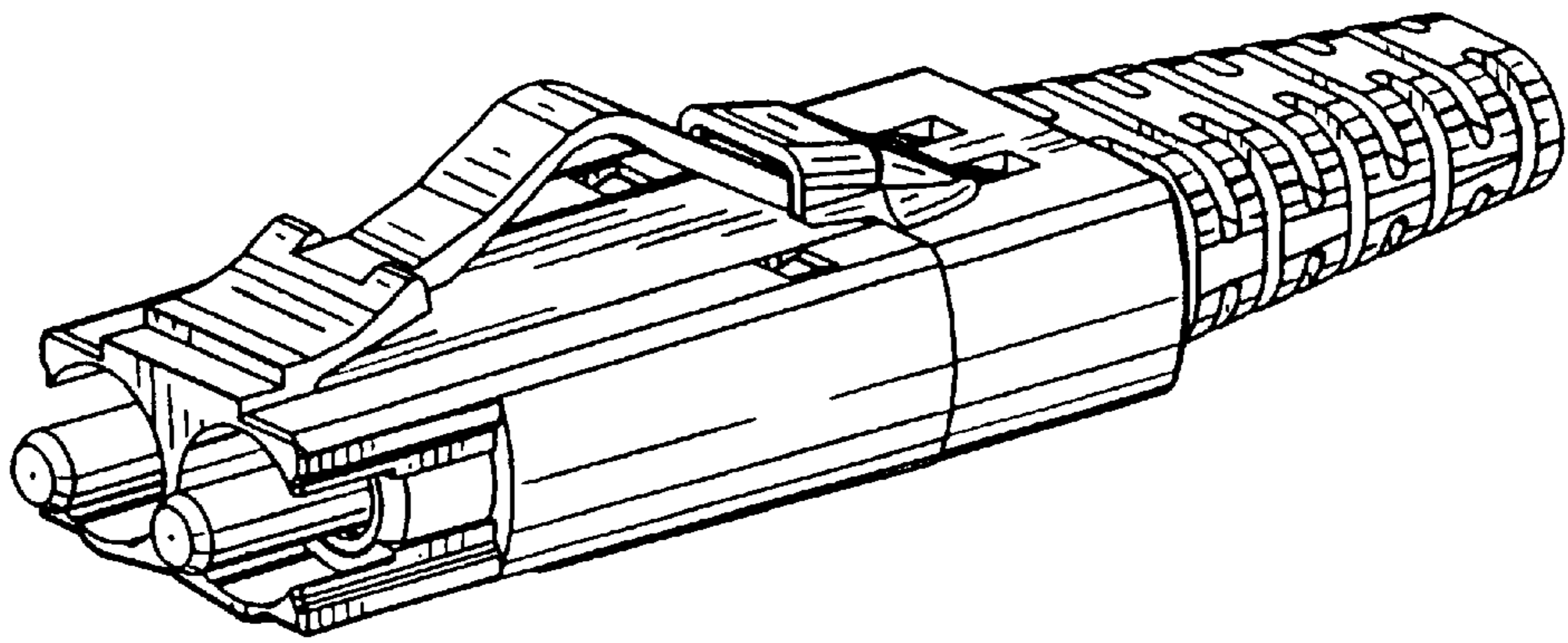


FIG. 1

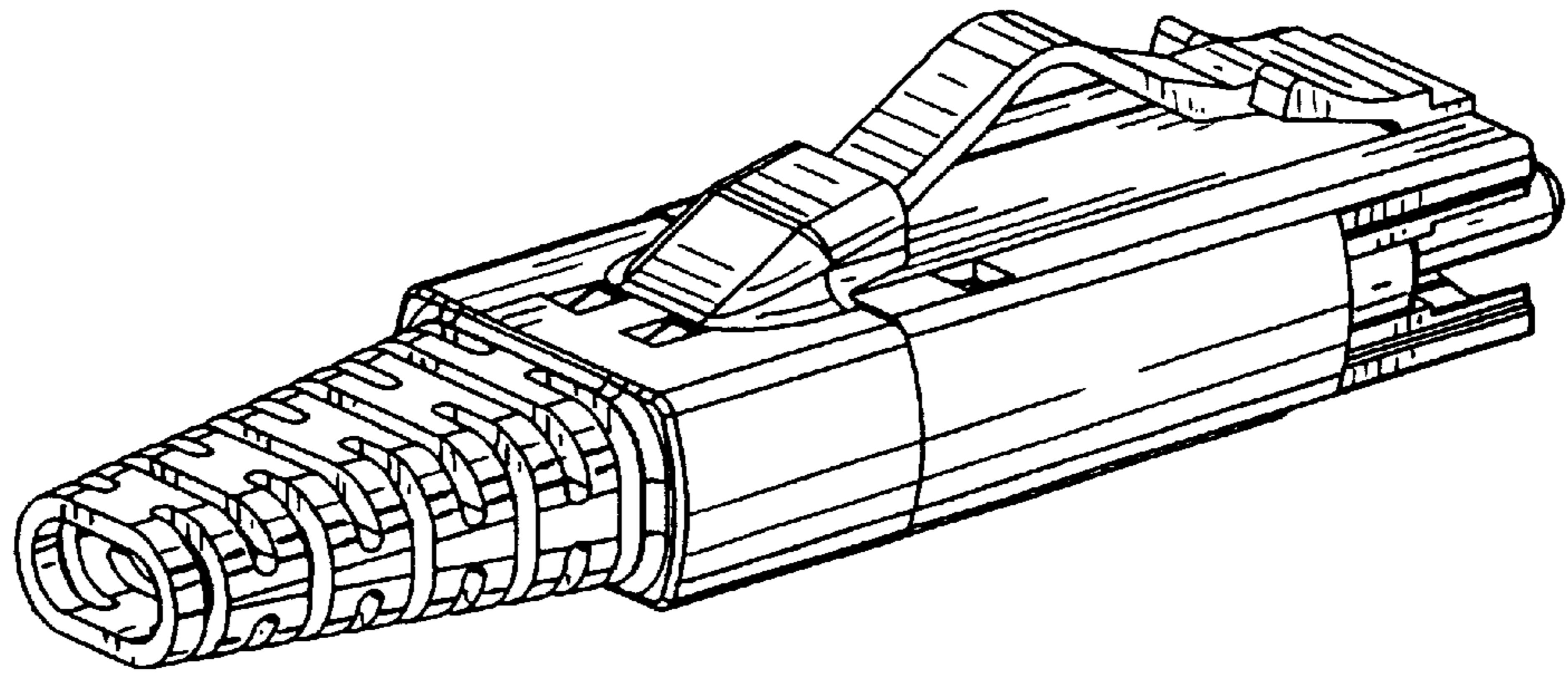


FIG. 2

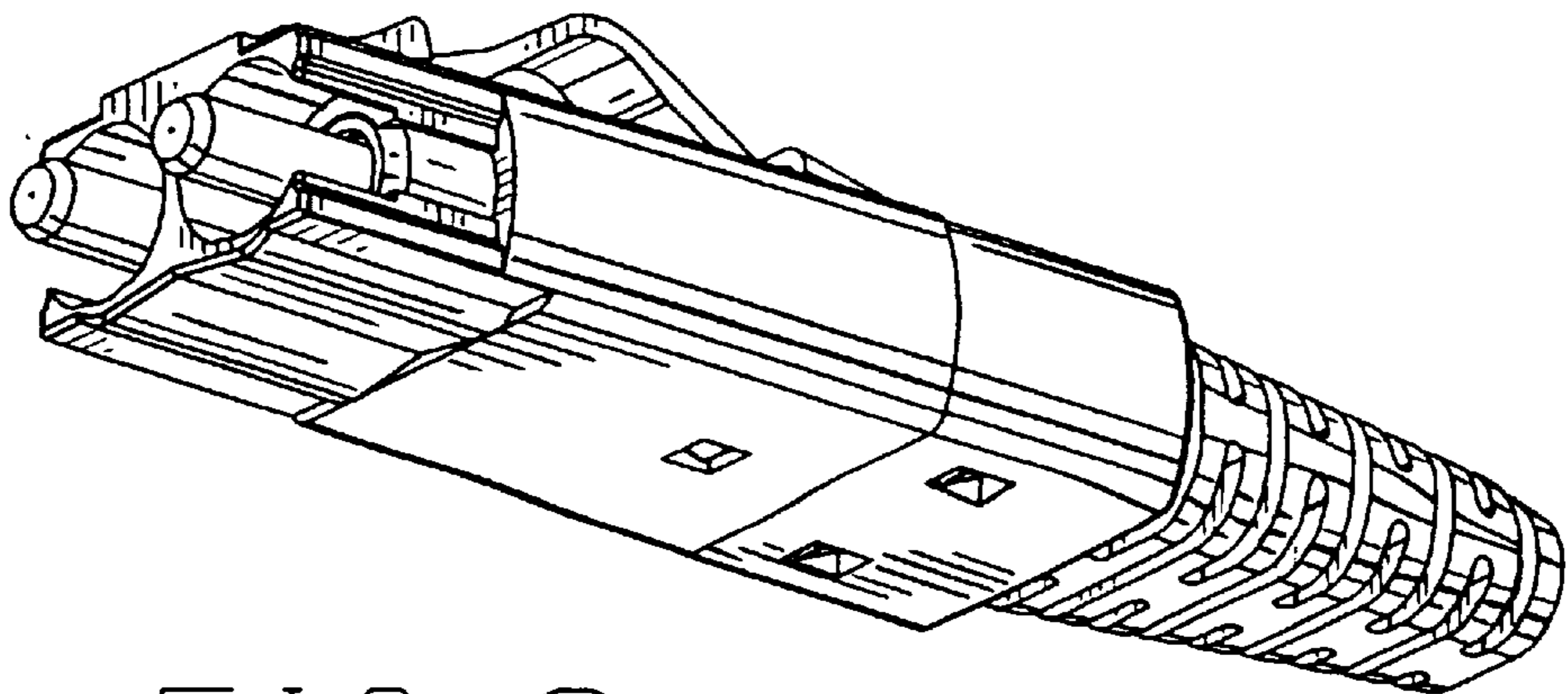


FIG. 3

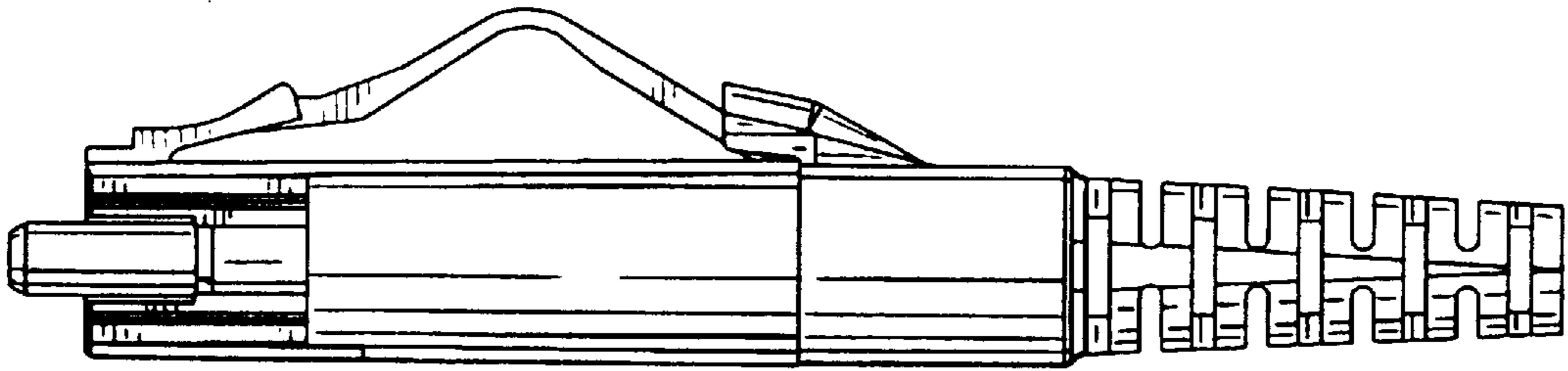


FIG. 4

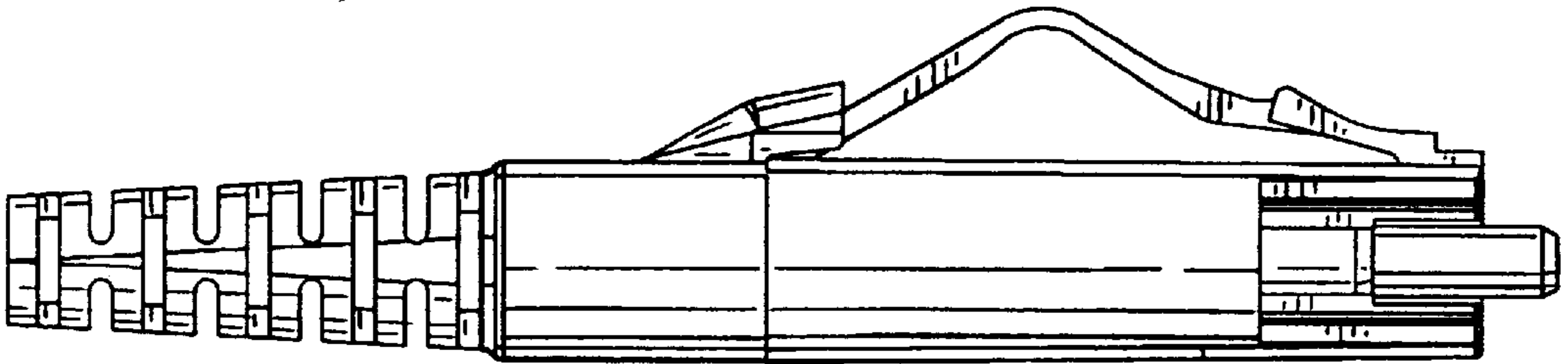


FIG. 5

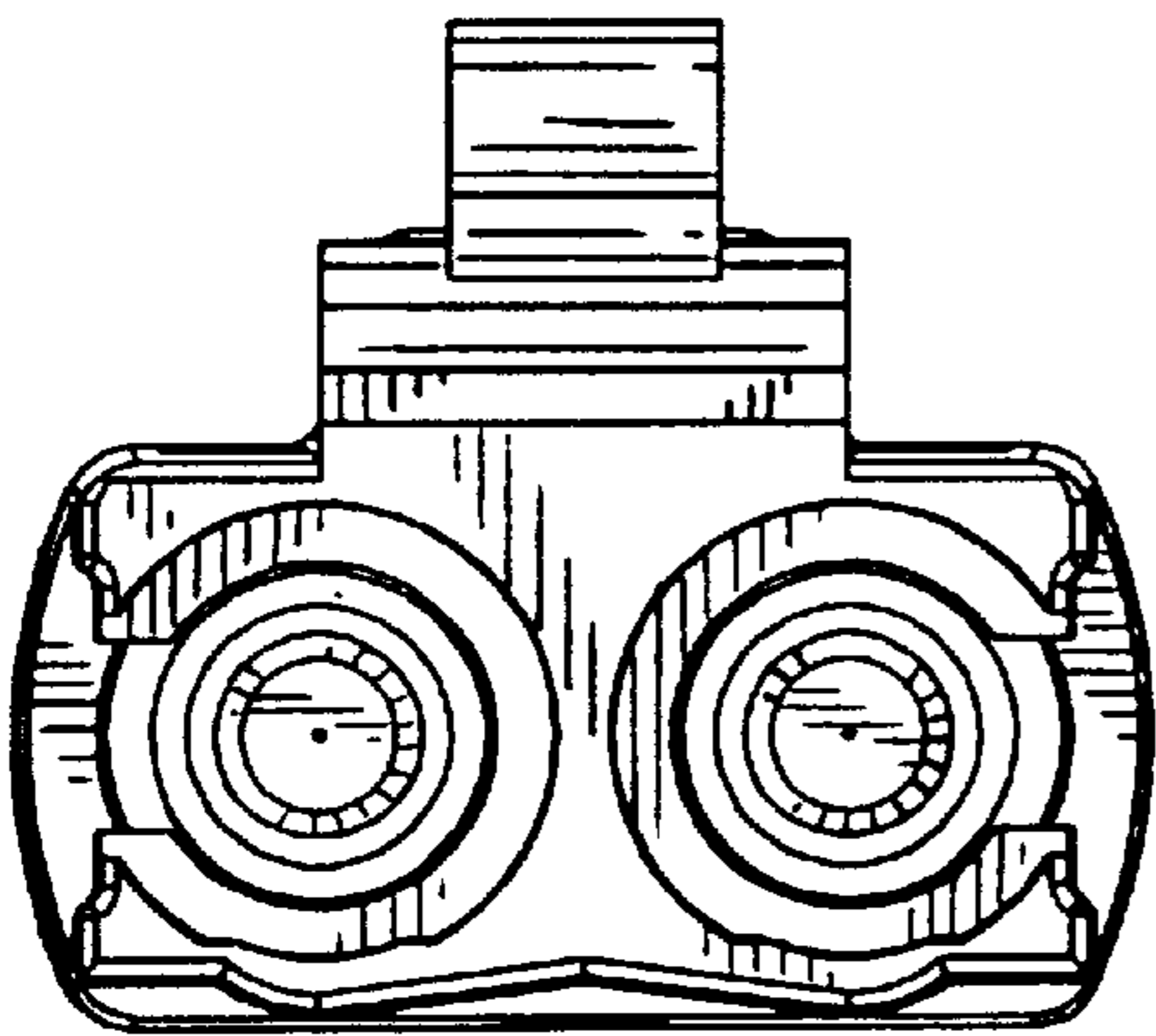


FIG. 6

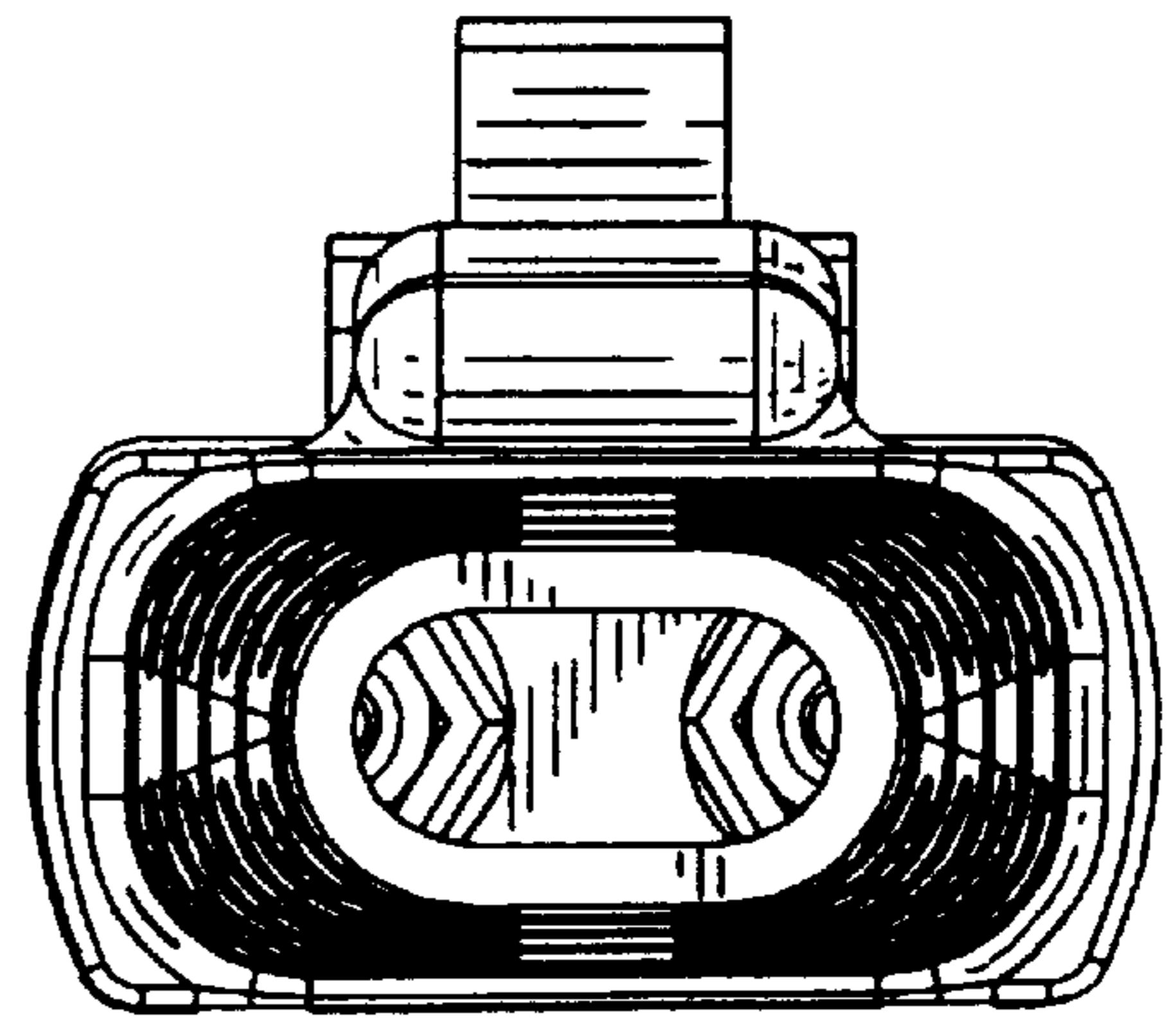


FIG. 7

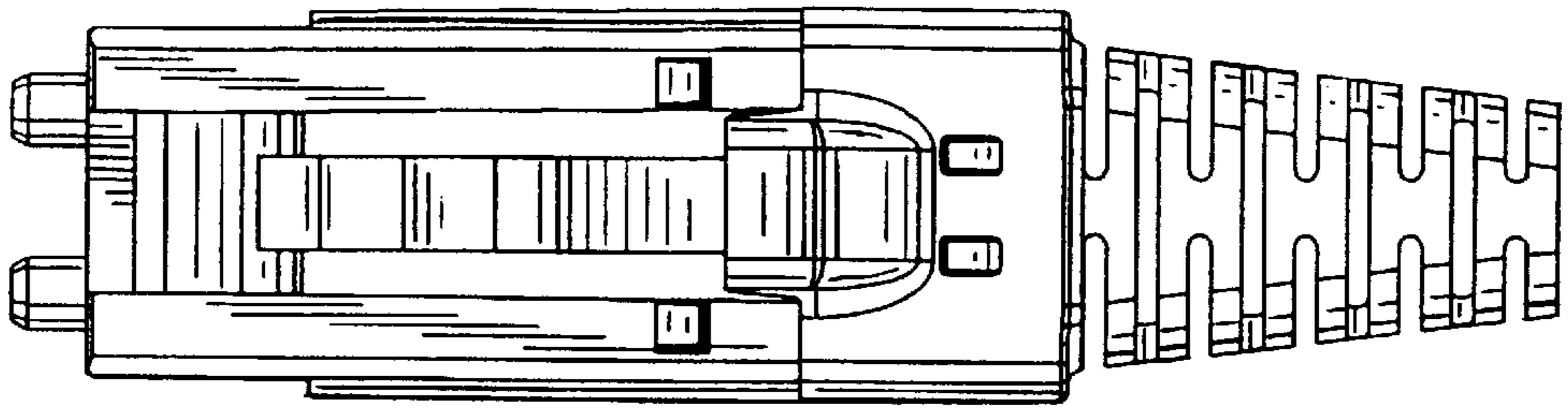


FIG. 8

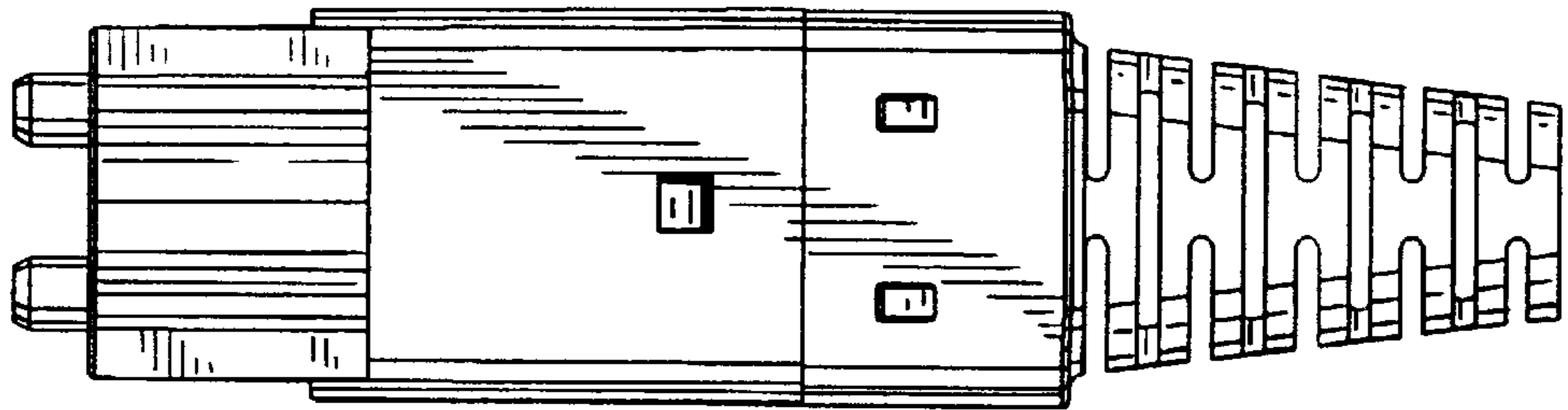


FIG. 9

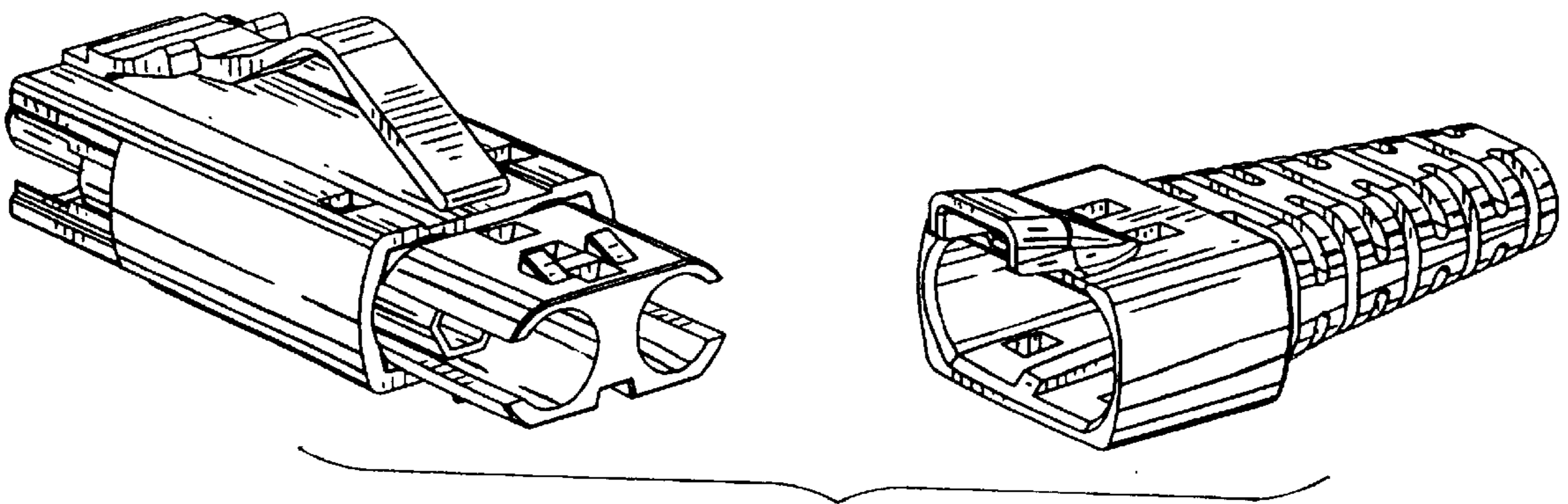


FIG. 10