



US00D434375S

# United States Patent [19]

**Kawamoto**

[11] **Patent Number: Des. 434,375**

[45] **Date of Patent: \*\* Nov. 28, 2000**

[54] **CRIMP TERMINAL**

[75] Inventor: **Hideo Kawamoto**, Kanagawa, Japan

[73] Assignee: **Japan Solderless Terminal Mfg. Co., Ltd**, Japan

[\*\*] Term: **14 Years**

[21] Appl. No.: **29/109,948**

[22] Filed: **Aug. 25, 1999**

[30] **Foreign Application Priority Data**

Mar. 9, 1999 [JP] Japan ..... 11-6010

[51] **LOC (7) Cl.** ..... **13-03**

[52] **U.S. Cl.** ..... **D13/133; D13/149**

[58] **Field of Search** ..... D13/133, 149;  
439/839, 852, 862

[56] **References Cited**

**U.S. PATENT DOCUMENTS**

D. 241,650 9/1976 Pauza et al. .... D13/133

2,744,244	5/1956	Schumacher et al. ....	439/290
4,220,388	9/1980	Dechelette .....	439/268
4,306,761	12/1981	Ress, Jr. ....	439/862
4,566,747	1/1986	Peers .....	439/270
5,281,178	1/1994	Biscorner .....	439/845

*Primary Examiner*—Joel Sincavage  
*Attorney, Agent, or Firm*—Rader, Fishman & Grauer

[57] **CLAIM**

I claim the ornamental design for a crimp terminal, as shown and described.

**DESCRIPTION**

FIG. 1 is a top plan view of a crimp terminal;  
FIG. 2 is a front elevation view thereof;  
FIG. 3 is a bottom plan view thereof;  
FIG. 4 is a sectional view taken on line 4—4 of FIG. 1;  
FIG. 5 is a right side view thereof;  
FIG. 6 is a left side view thereof; and,  
FIG. 7 is a perspective view thereof.

**1 Claim, 3 Drawing Sheets**

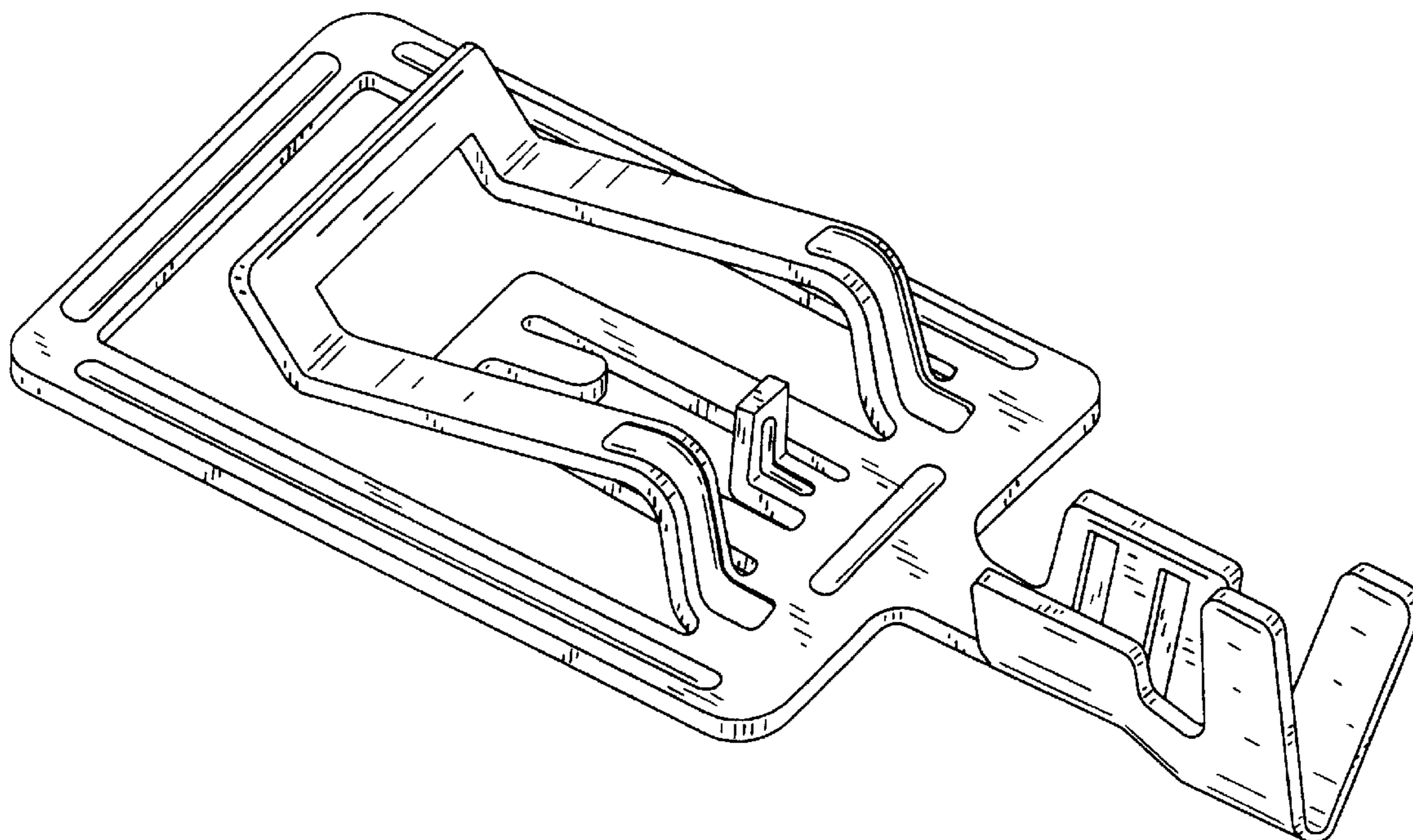


FIG. 1

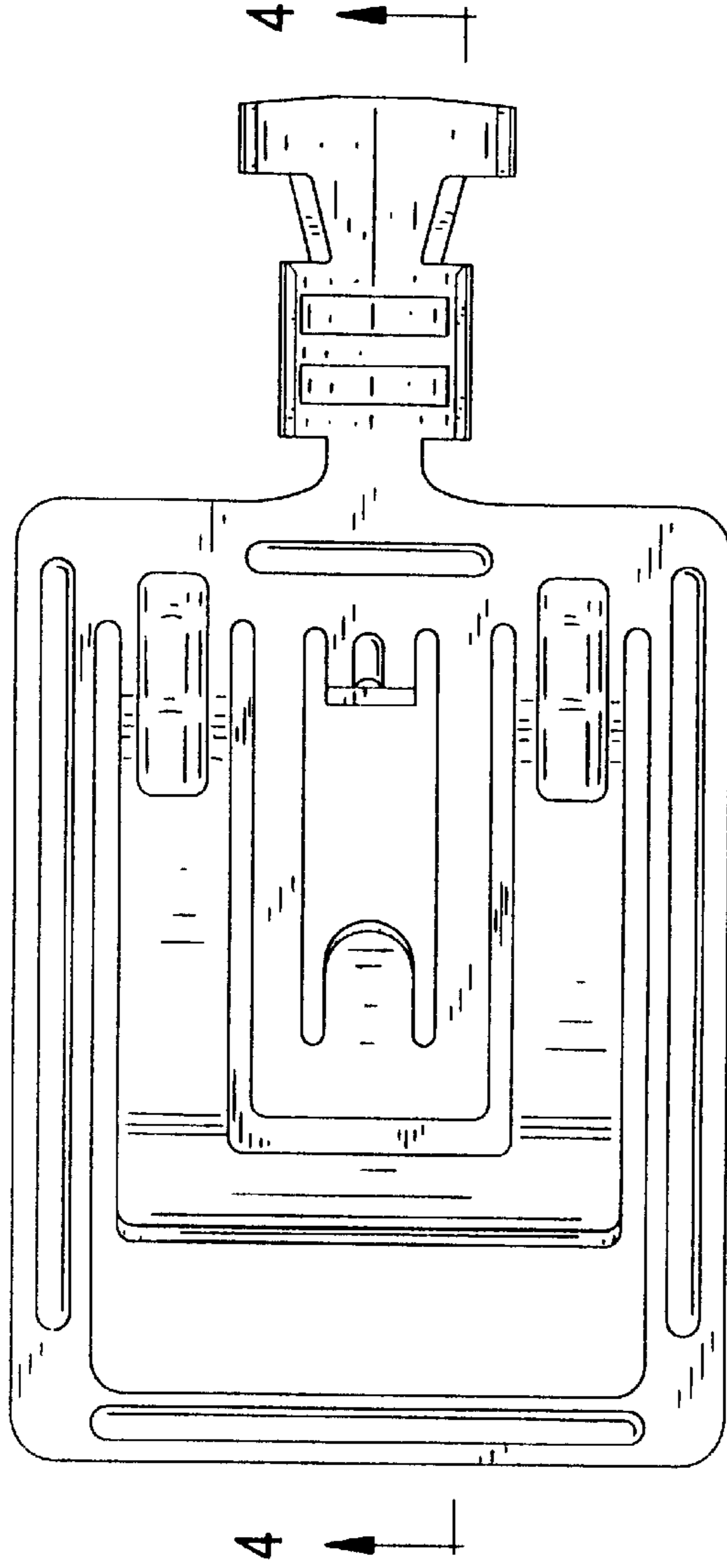


FIG. 2

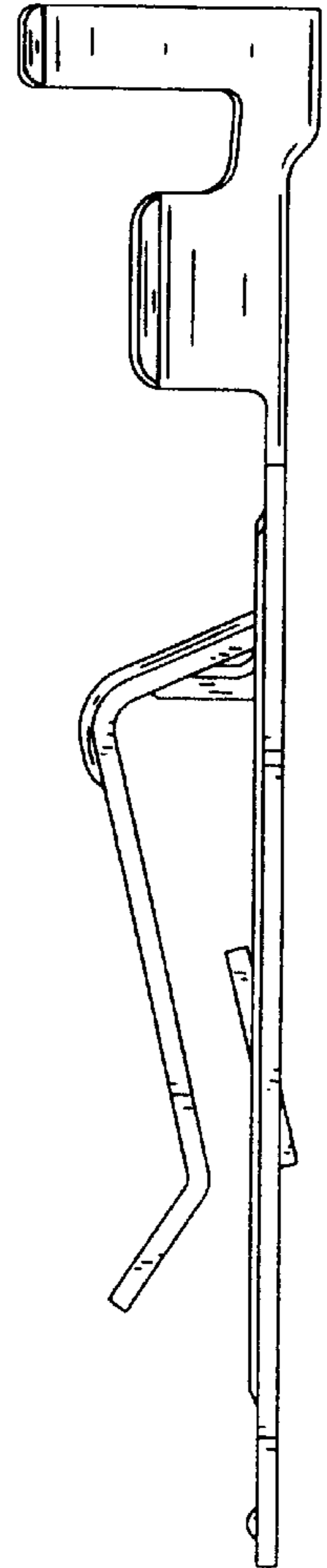


FIG. 3

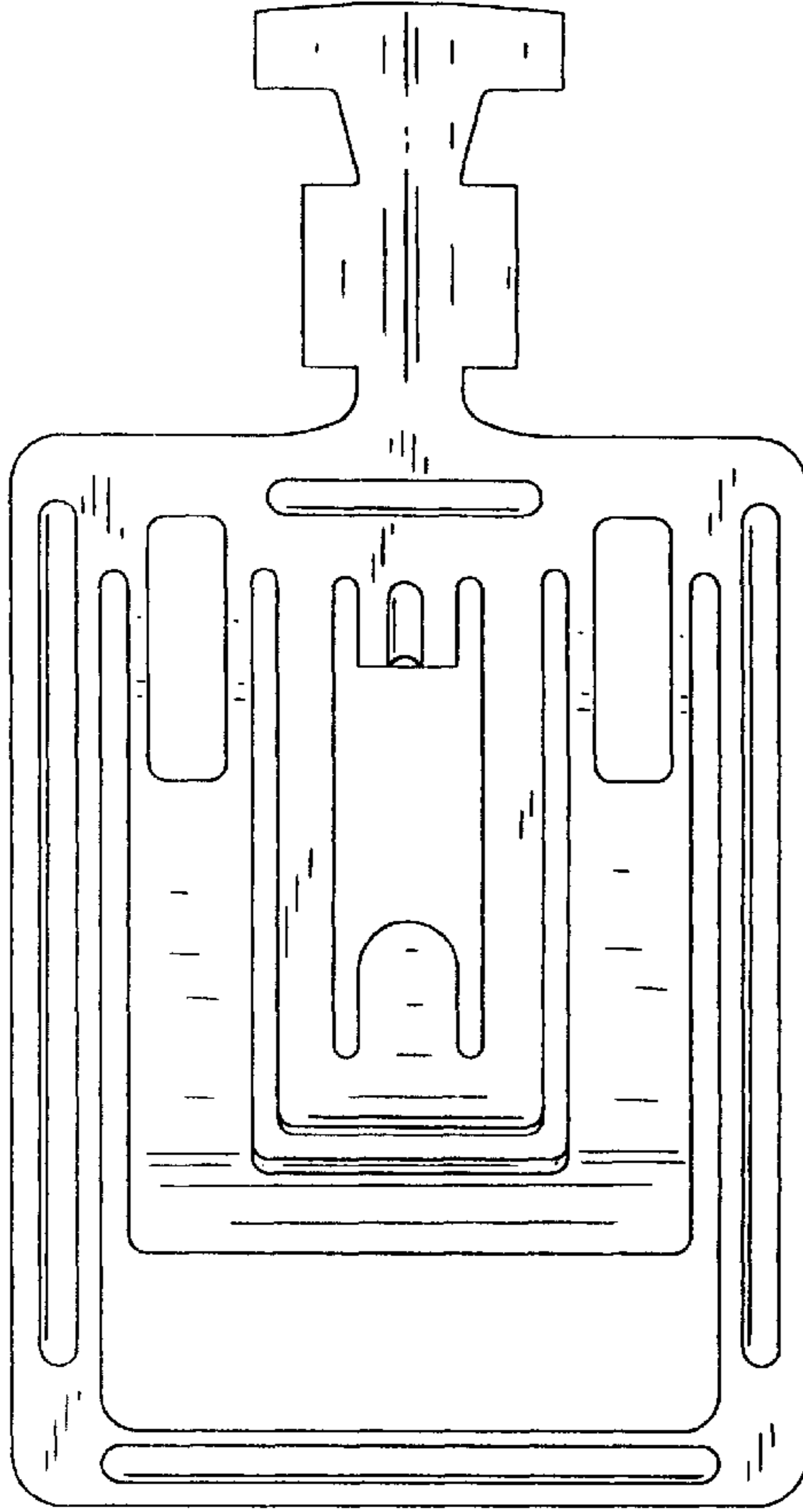


FIG. 5

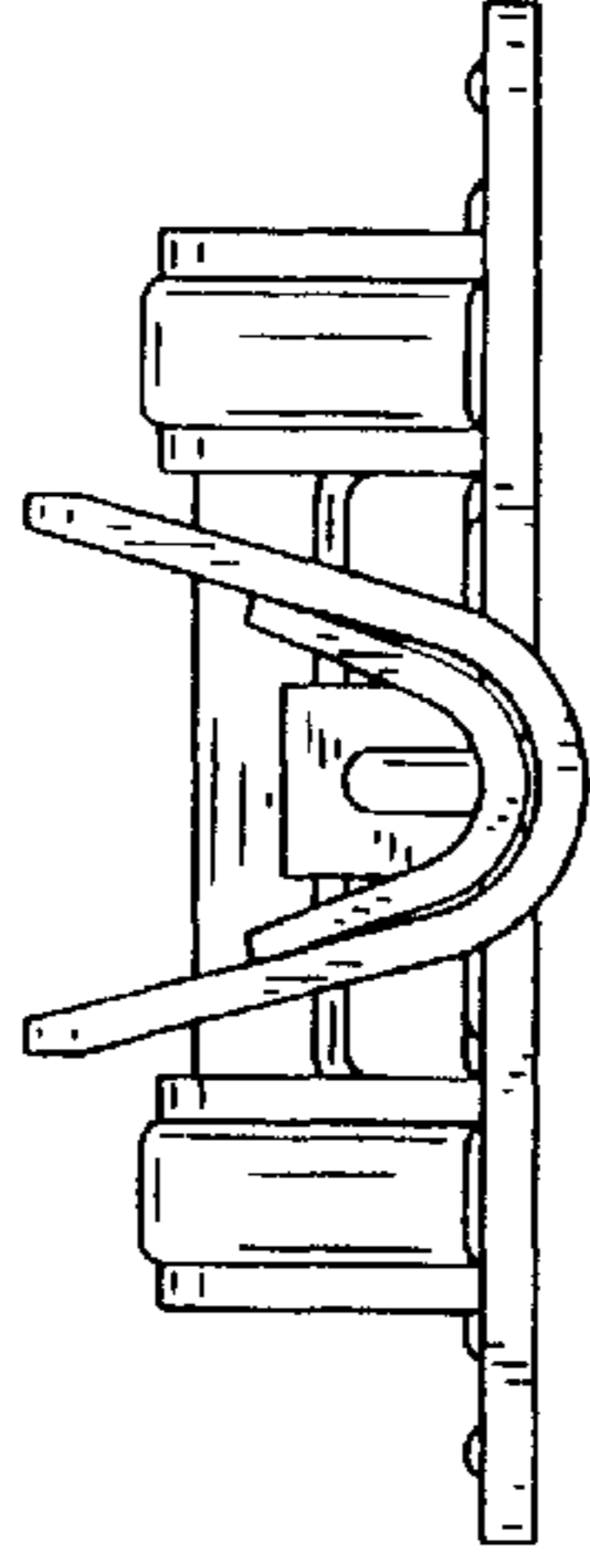


FIG. 4

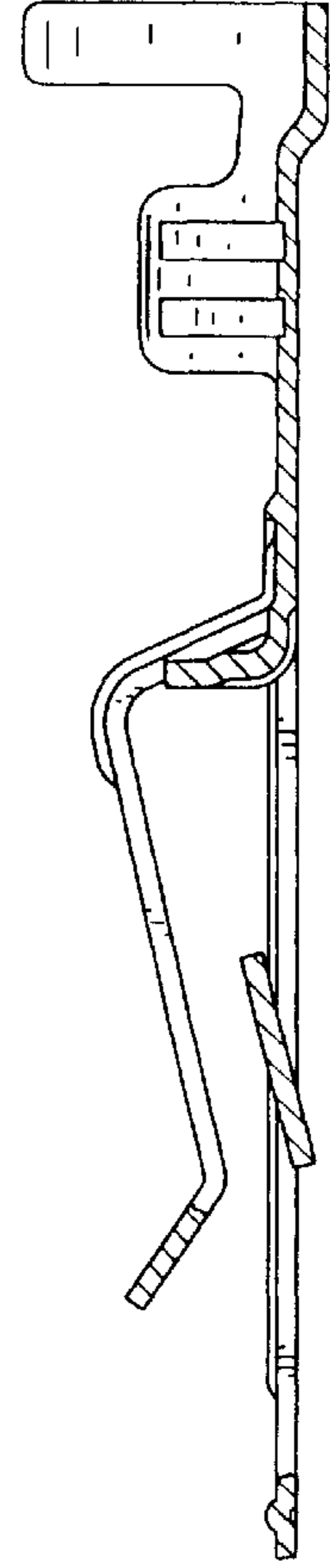


FIG. 6

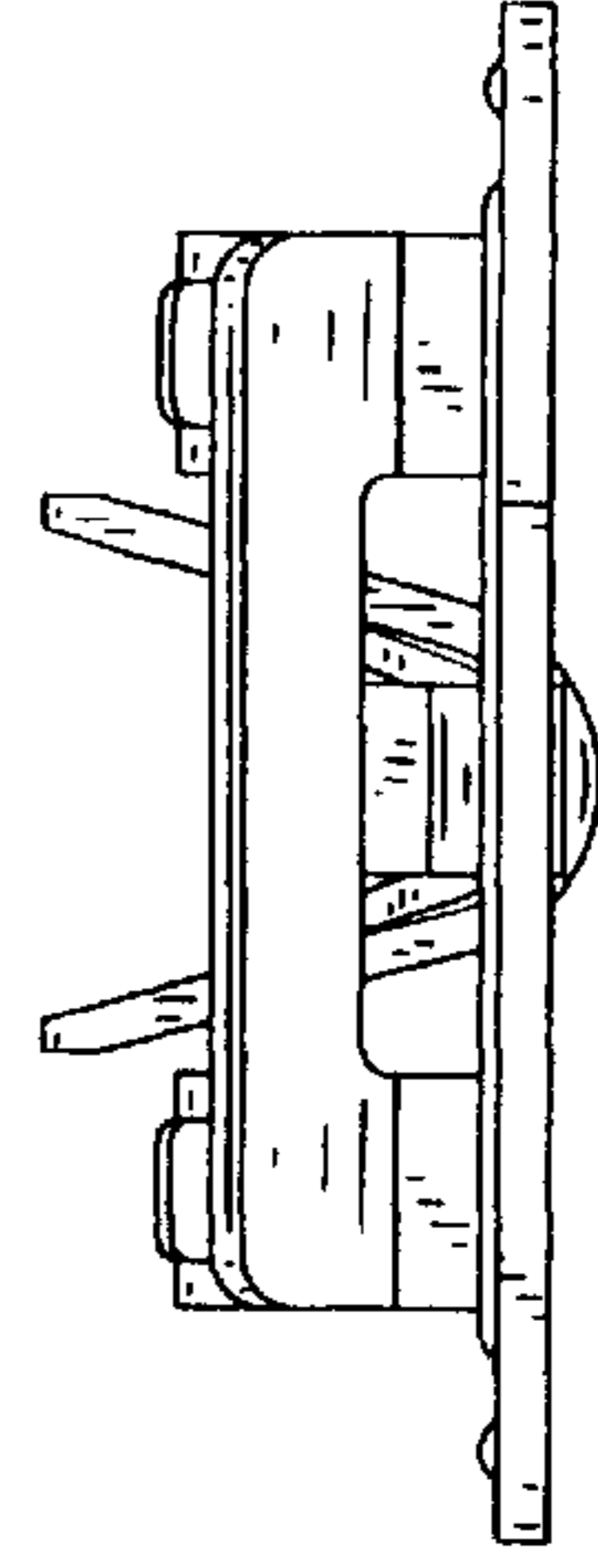


FIG. 7

