



US00D434371S

United States Patent [19]

Goto et al.

[11] Patent Number: **Des. 434,371**

[45] Date of Patent: **** Nov. 28, 2000**

[54] **BATTERY CHARGER**

D. 414,459 9/1999 Oba D13/107
5,825,158 10/1998 Wei 320/111

[75] Inventors: **Teiyu Goto; Takuro Hibino**, both of Tokyo, Japan

OTHER PUBLICATIONS

Catalog "Video Accessory", 4 sheets, Sony (Jun. 1997).
Catalog "Accessory 64", pp. 261, 262 & 263, Sony (Jul. 1998).

[73] Assignee: **Sony Corporation**, Japan

Primary Examiner—Joel Sincavage
Attorney, Agent, or Firm—Rader, Fishman & Grauer

[**] Term: **14 Years**

[21] Appl. No.: **29/105,324**

[22] Filed: **May 21, 1999**

[57] CLAIM

[30] Foreign Application Priority Data

The ornamental design for a battery charger, as shown and described.

Nov. 25, 1998 [JP] Japan 10-33830

DESCRIPTION

[51] **LOC (7) Cl.** **13-02**

[52] **U.S. Cl.** **D13/107**

[58] **Field of Search** D13/103; 361/680, 361/683; 429/96-100, 159, 163, 176; 320/110-115

FIG. 1 is a bottom, front, left side perspective view of a battery charger showing our new design;
FIG. 2 is a top, front, right side perspective view thereof;
FIG. 3 is a top plan view thereof;
FIG. 4 is a left side elevational view thereof;
FIG. 5 is a front elevational view thereof;
FIG. 6 is a rear elevational view thereof;
FIG. 7 is a right side elevational view thereof; and,
FIG. 8 is a bottom plan view thereof.

[56] References Cited

U.S. PATENT DOCUMENTS

D. 288,432 2/1987 Nagele D13/107
D. 321,855 11/1991 Ross, Jr. D13/107
D. 328,056 7/1992 Watanabe et al. D13/108
D. 328,450 8/1992 Watanabe et al. D13/108

1 Claim, 4 Drawing Sheets

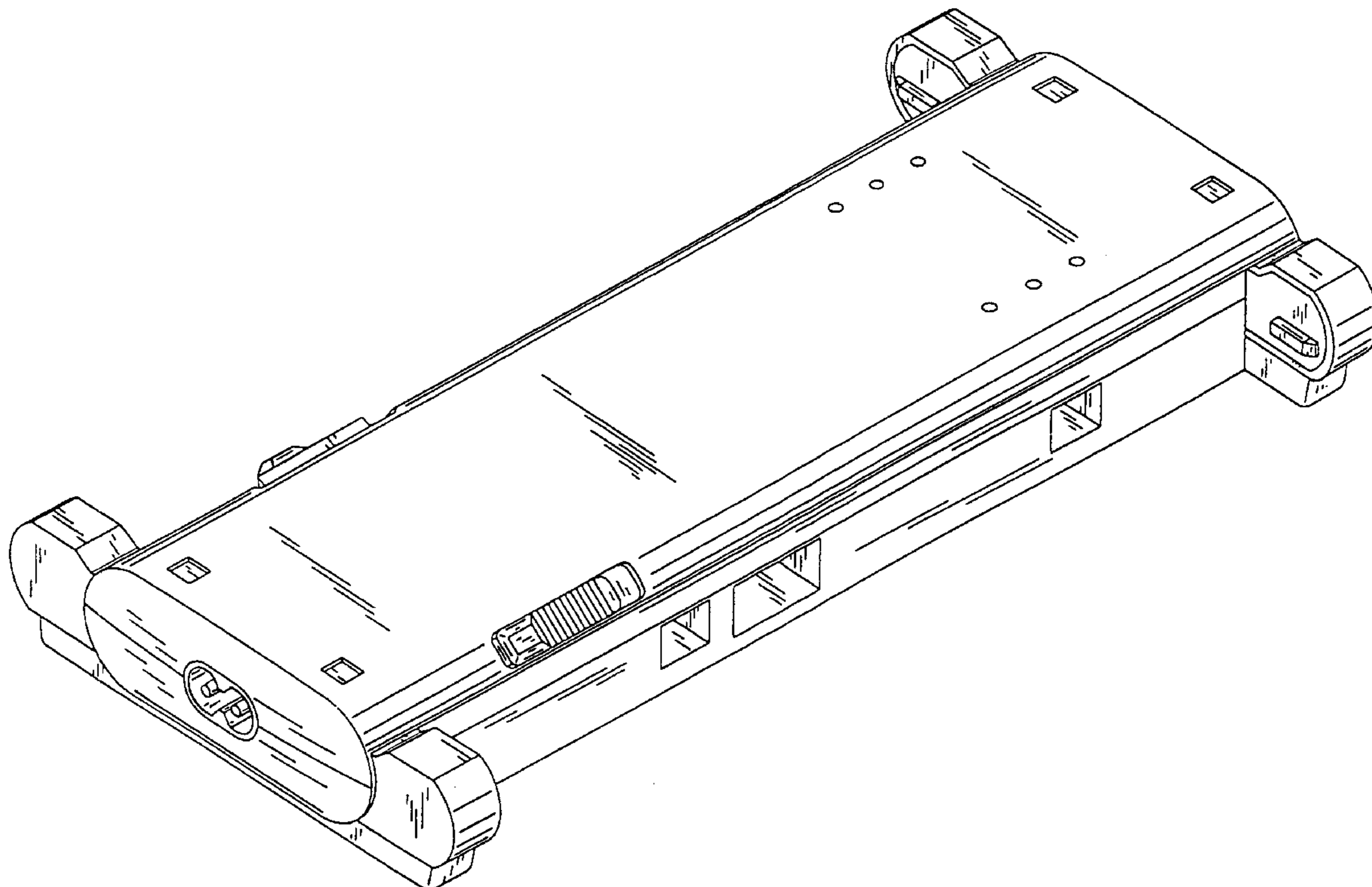
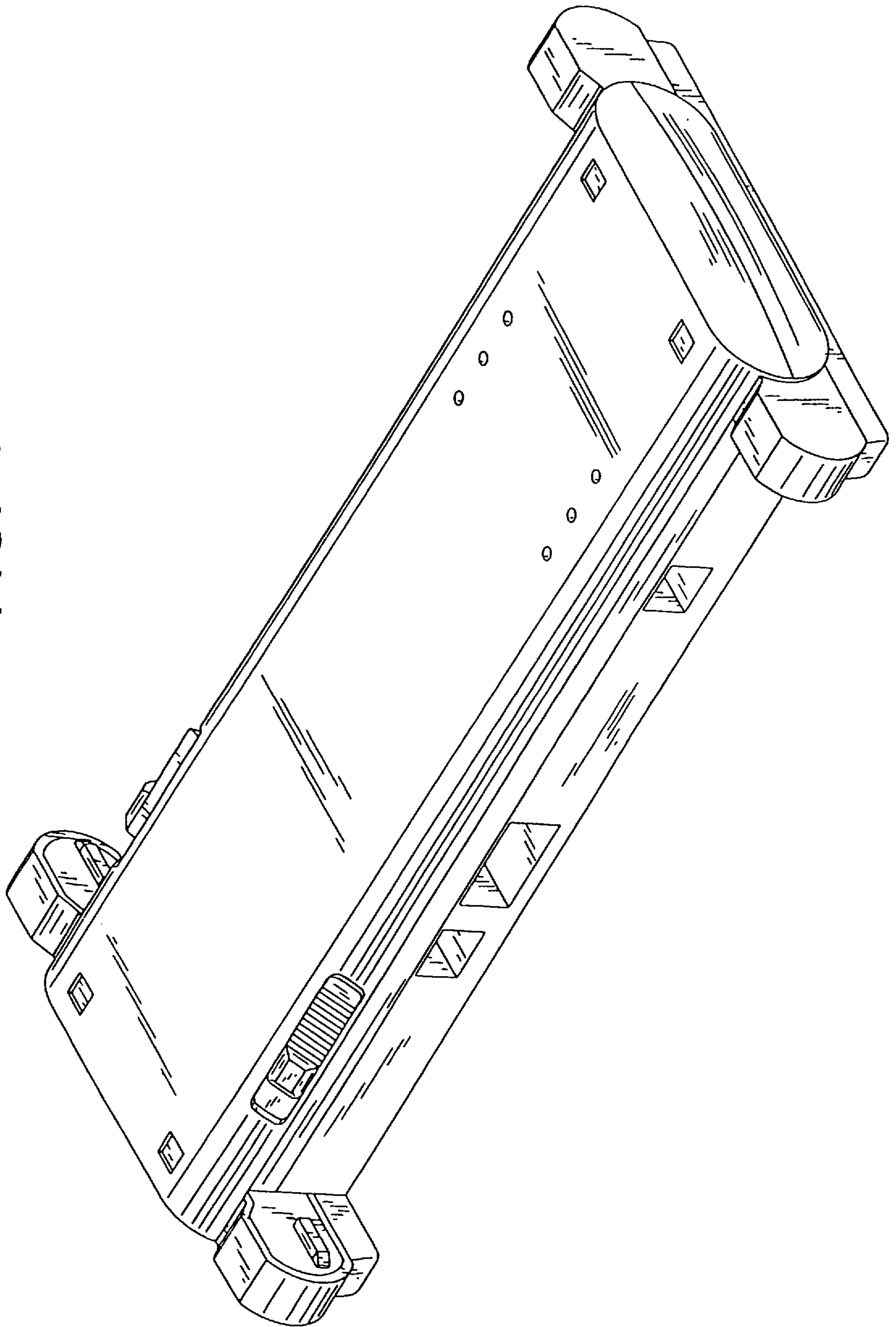


FIG. 1



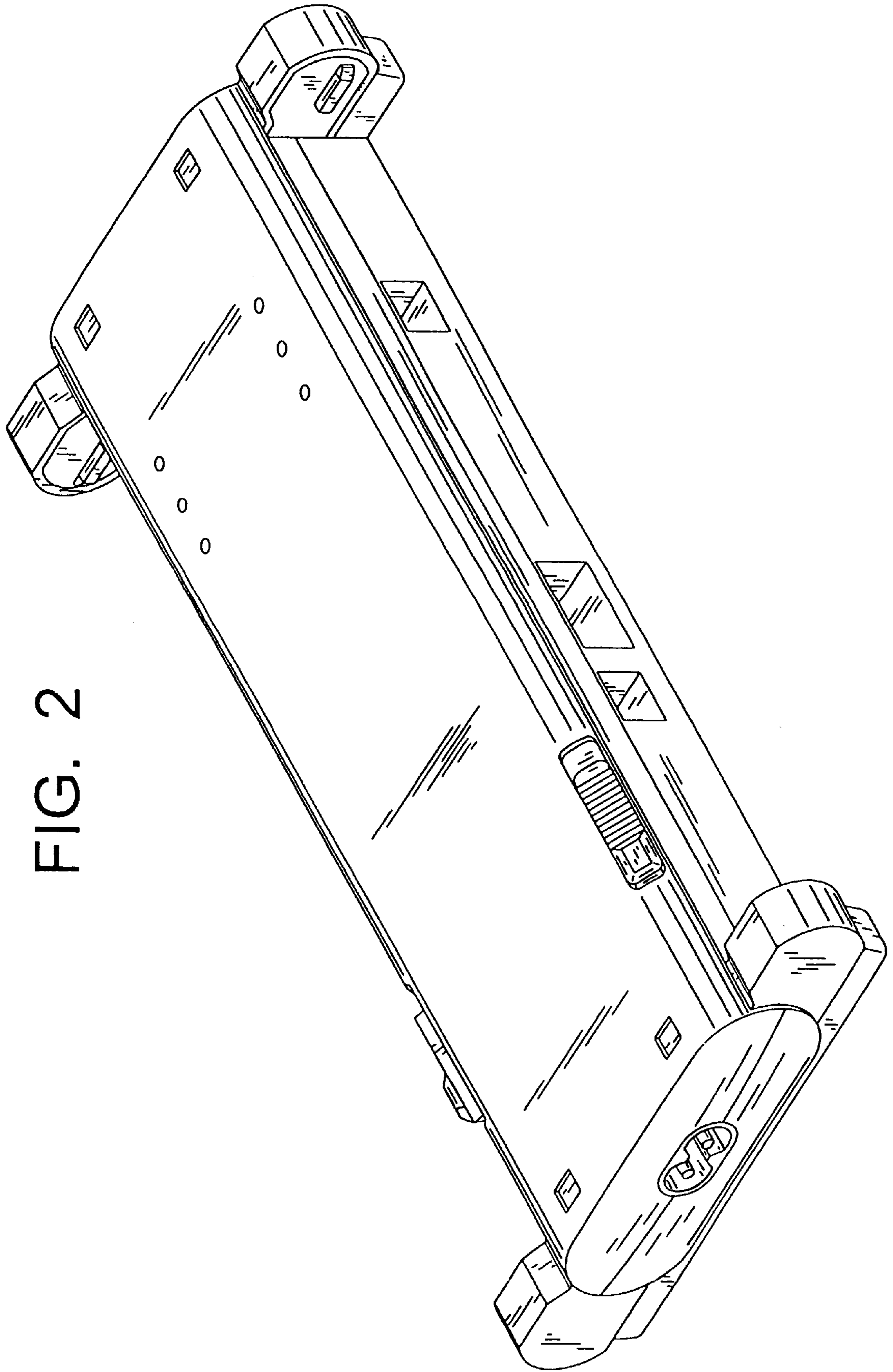


FIG. 2

FIG. 5

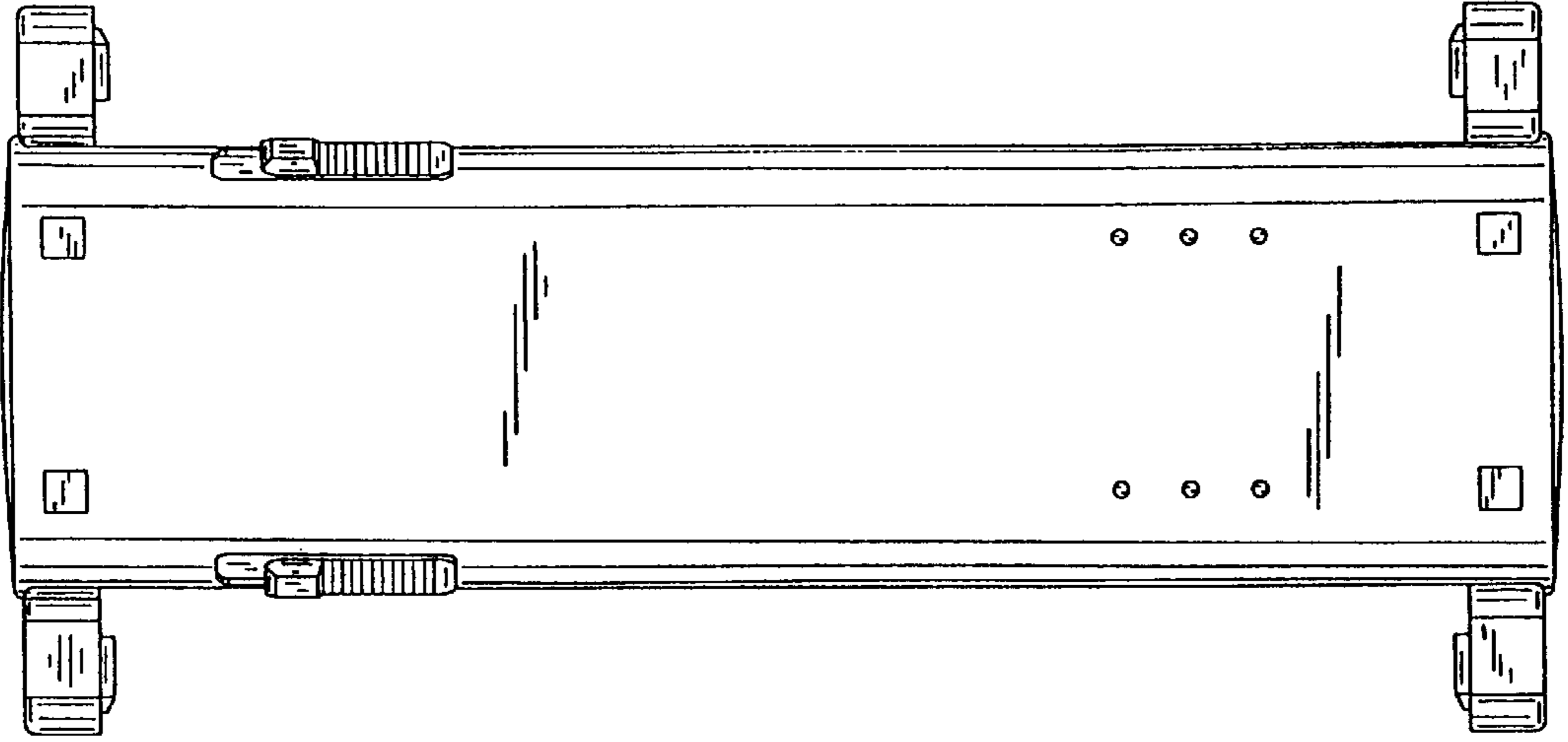


FIG. 4

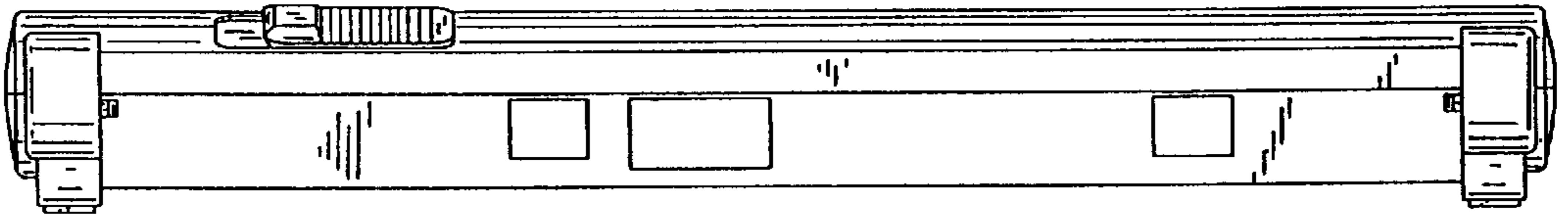


FIG. 3

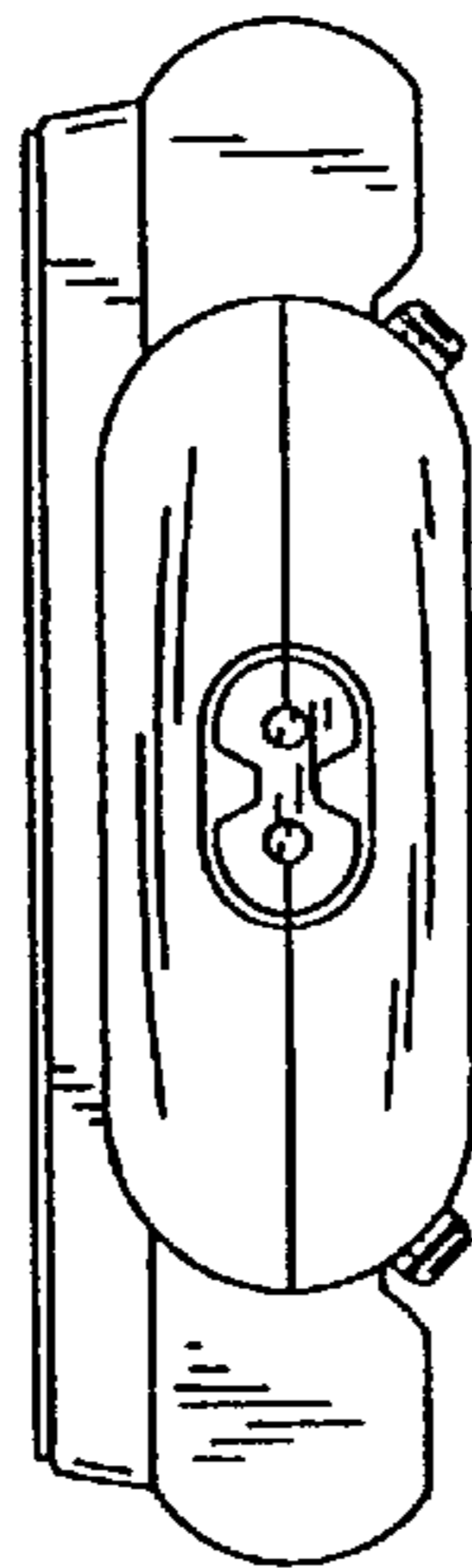


FIG. 8

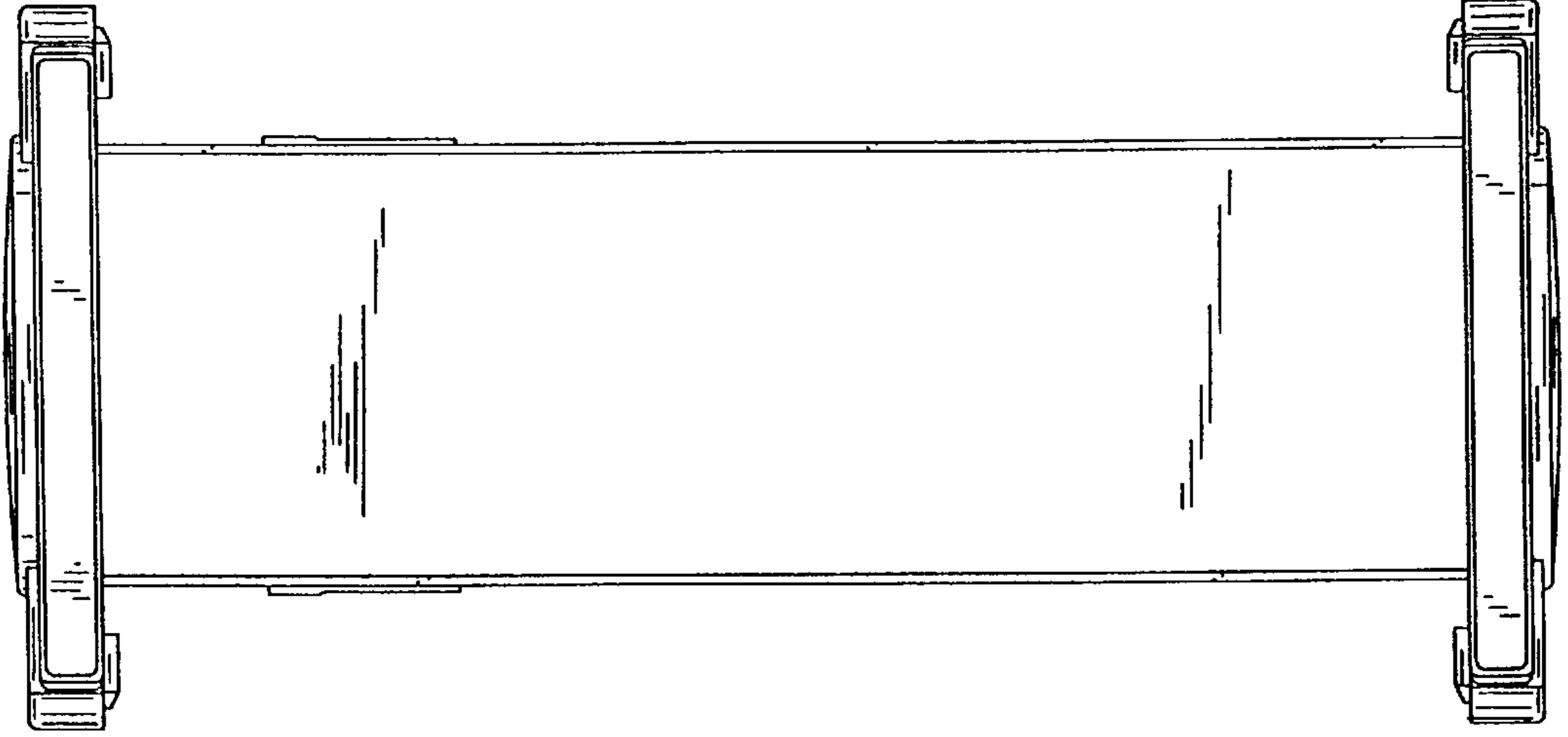


FIG. 7

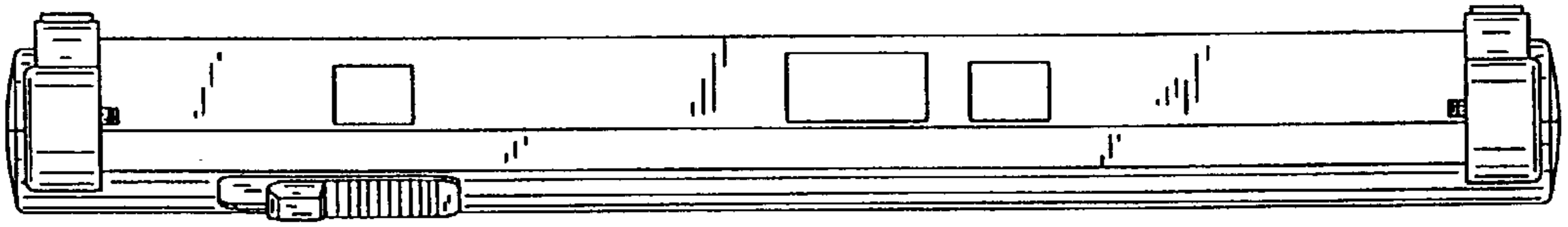


FIG. 6

