



US00D434367S

United States Patent [19]

Baldwin et al.

[11] Patent Number: **Des. 434,367**

[45] Date of Patent: **** Nov. 28, 2000**

[54] **EYEGLASS AND DOCUMENT HOLDER FOR TRUCK SUN VISORS**

[76] Inventors: **Joseph R. Baldwin**, 400 Fulton St., Farmingdale, N.Y. 11735; **Flavio Rivera**, 178 Fountain St., Brooklyn, N.Y. 11208

[**] Term: **14 Years**

[21] Appl. No.: **29/125,789**

[22] Filed: **Jun. 29, 2000**

[51] **LOC (7) Cl.** **12-16**

[52] **U.S. Cl.** **D12/417**

[58] **Field of Search** D12/191, 400, D12/415, 417; D6/566, 313, 458; D3/266, 265; D8/370; D16/330, 336, 339, 136; 248/249-250, 235, 220.2, 220.4, 221.1, 302-304; 211/106, 181; 296/97.5; 224/42.11, 273, 327, 44.42

[56] **References Cited**

U.S. PATENT DOCUMENTS

- D. 204,021 3/1966 Bachmann D12/417 X
- D. 205,261 7/1966 Boxer D3/266

- D. 266,932 11/1982 Liset D12/370
- D. 292,595 11/1987 Tanaka D12/417
- D. 306,739 3/1990 Mackiewich D6/566
- D. 329,414 9/1992 Herzig D12/417
- D. 371,458 7/1996 Valls et al. D3/266
- D. 403,294 12/1998 Baldwin et al. D12/417
- D. 403,295 12/1998 Baldwin et al. D12/417
- D. 403,296 12/1998 Thomas D12/417
- 2,735,597 2/1956 Treleven D12/417 X
- 2,881,926 4/1959 Spence 211/106

Primary Examiner—Stacia Cadmus
Attorney, Agent, or Firm—Collard & Roe, PC.

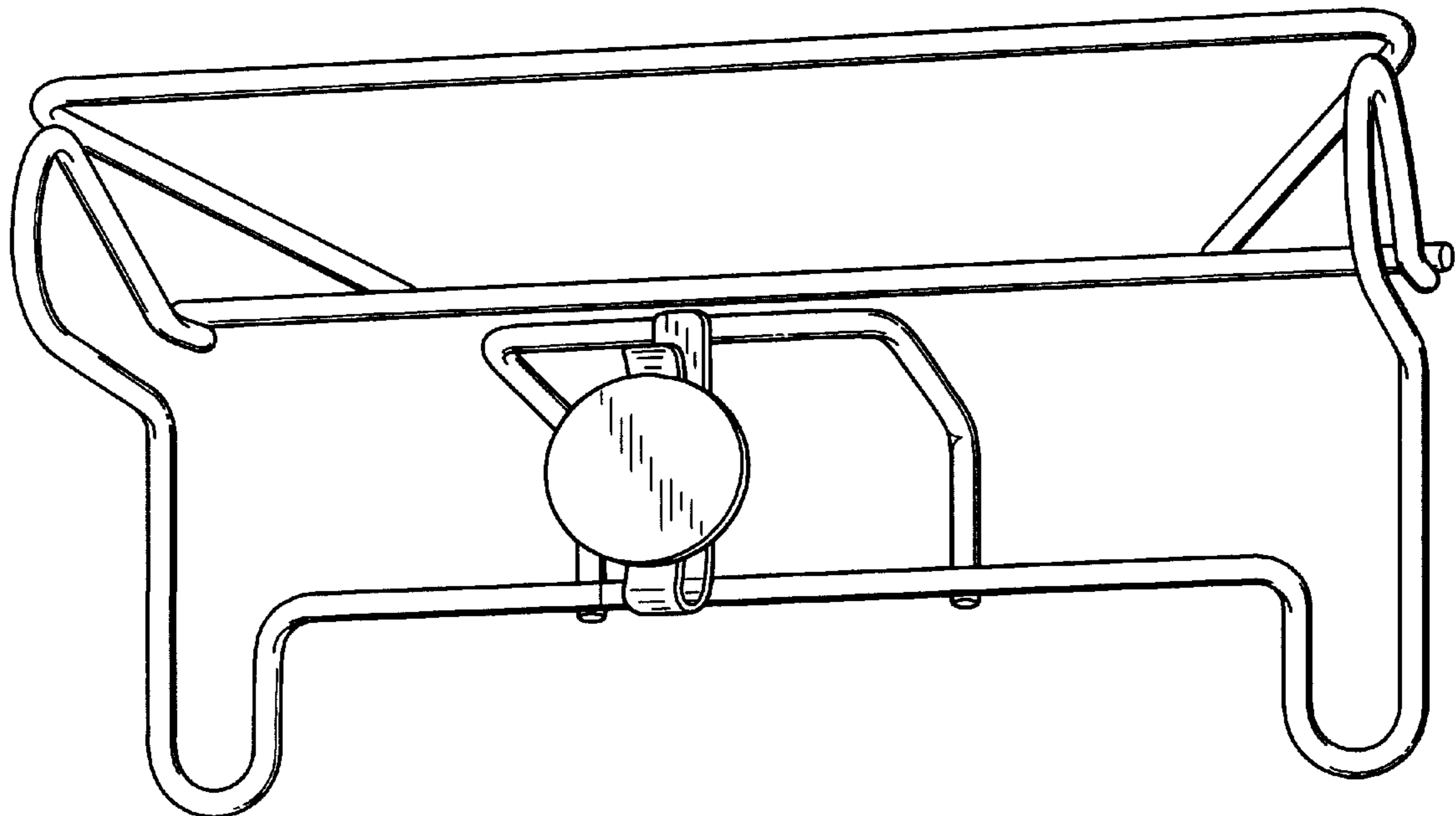
[57] **CLAIM**

The ornamental design for an eyeglass and document holder for truck sun visors, as shown and described.

DESCRIPTION

FIG. 1 shows a perspective view of our design for an eyeglass and document holder for truck sun visors; FIG. 2 shows a front view thereof; FIG. 3 shows a top view thereof; FIG. 4 shows a back view thereof; FIG. 5 shows a bottom view thereof; and, FIG. 6 shows a side view thereof.

1 Claim, 4 Drawing Sheets



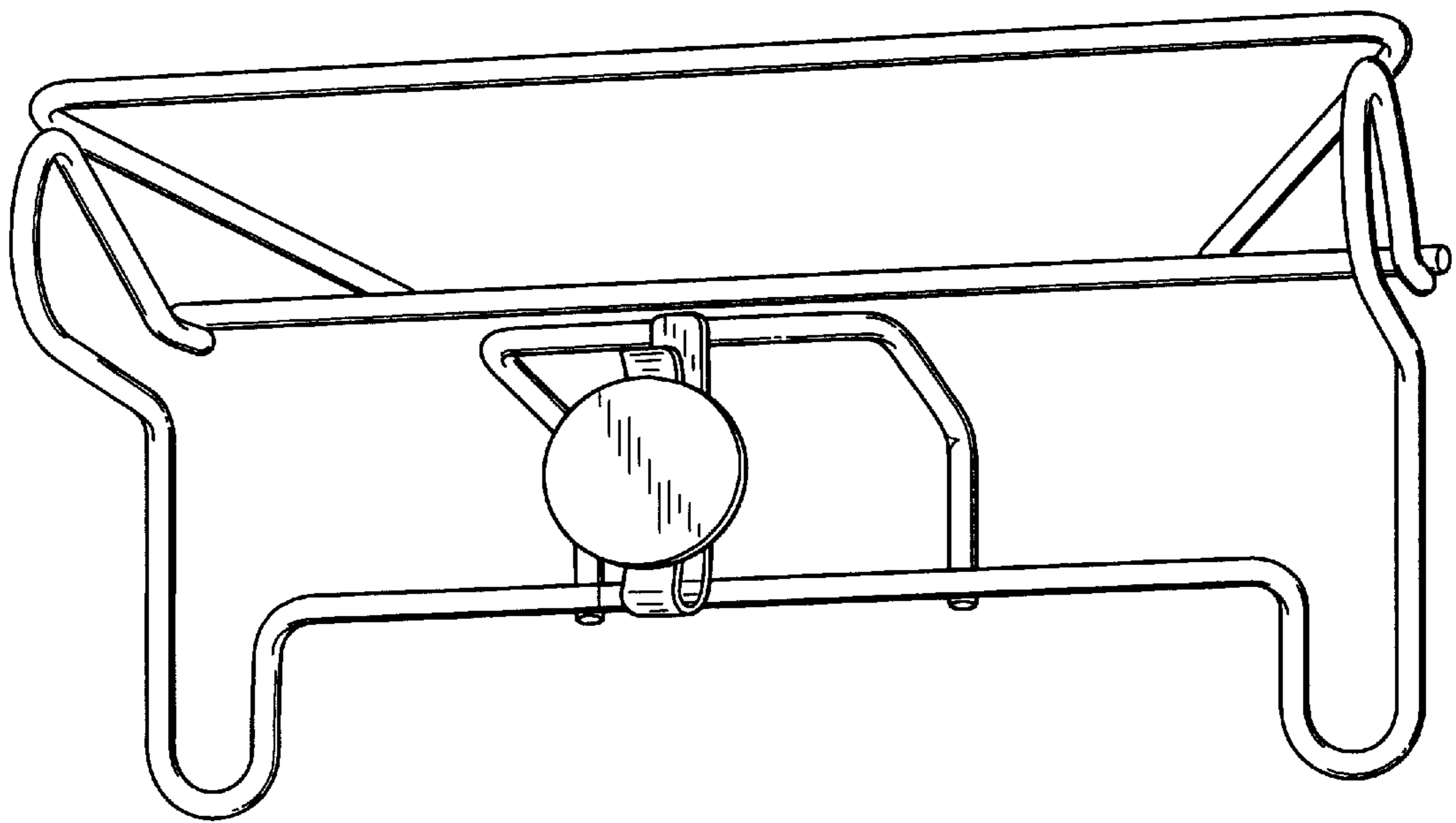


FIG. 1

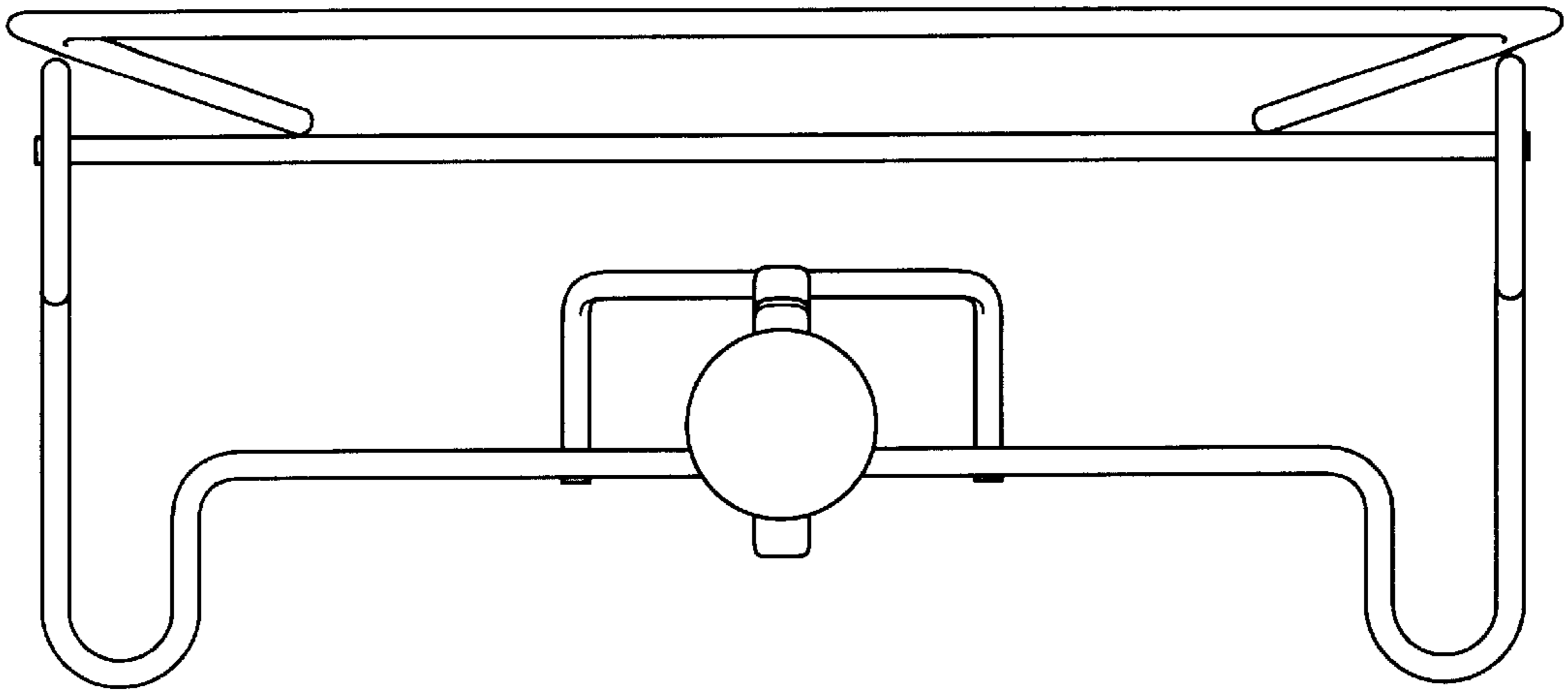


FIG. 2

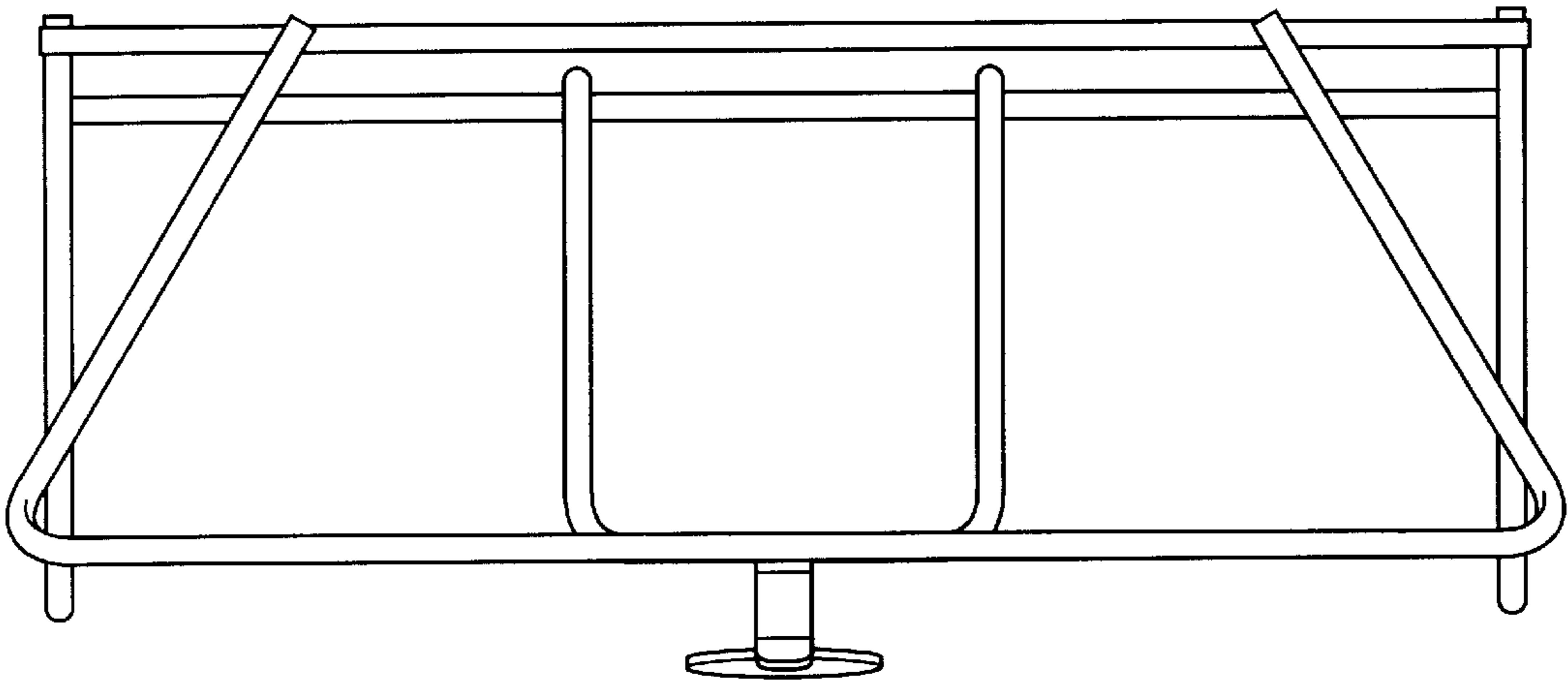


FIG. 3

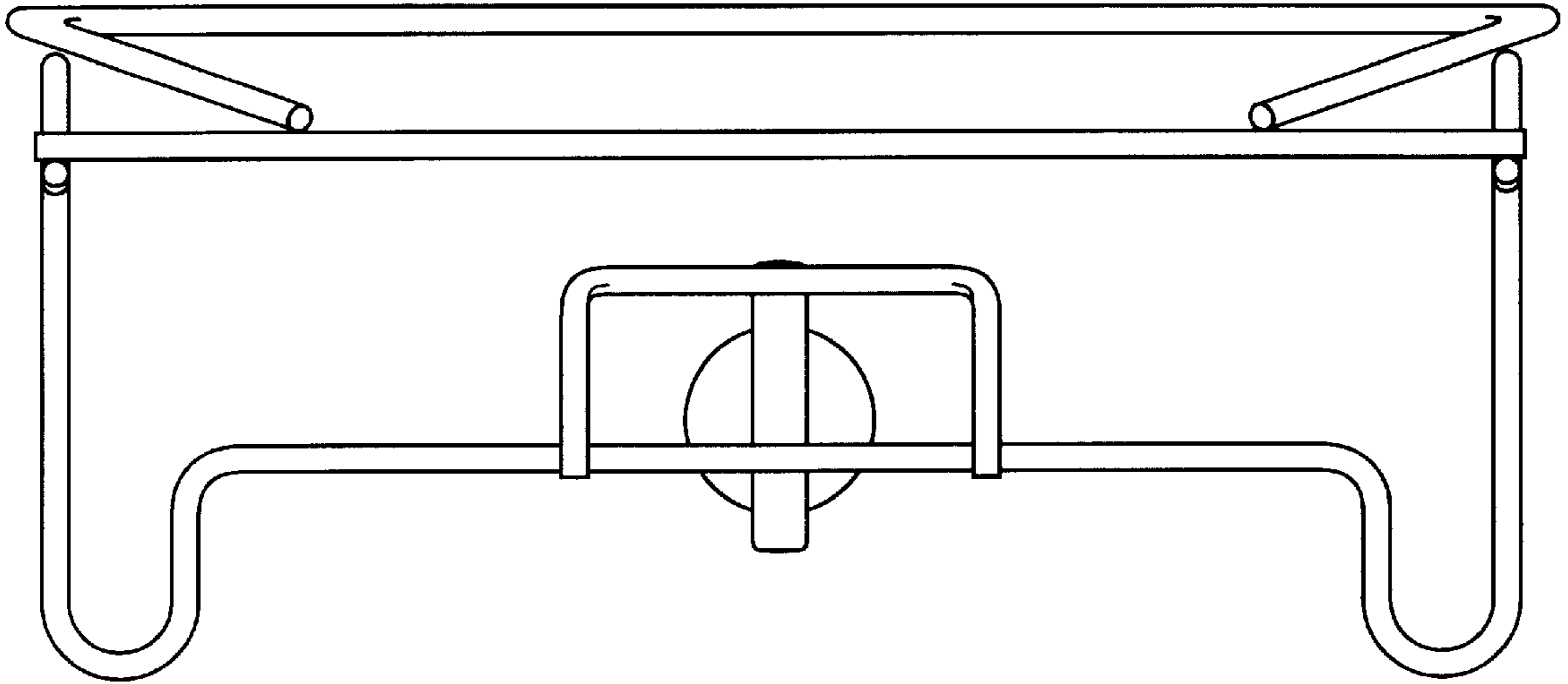


FIG. 4

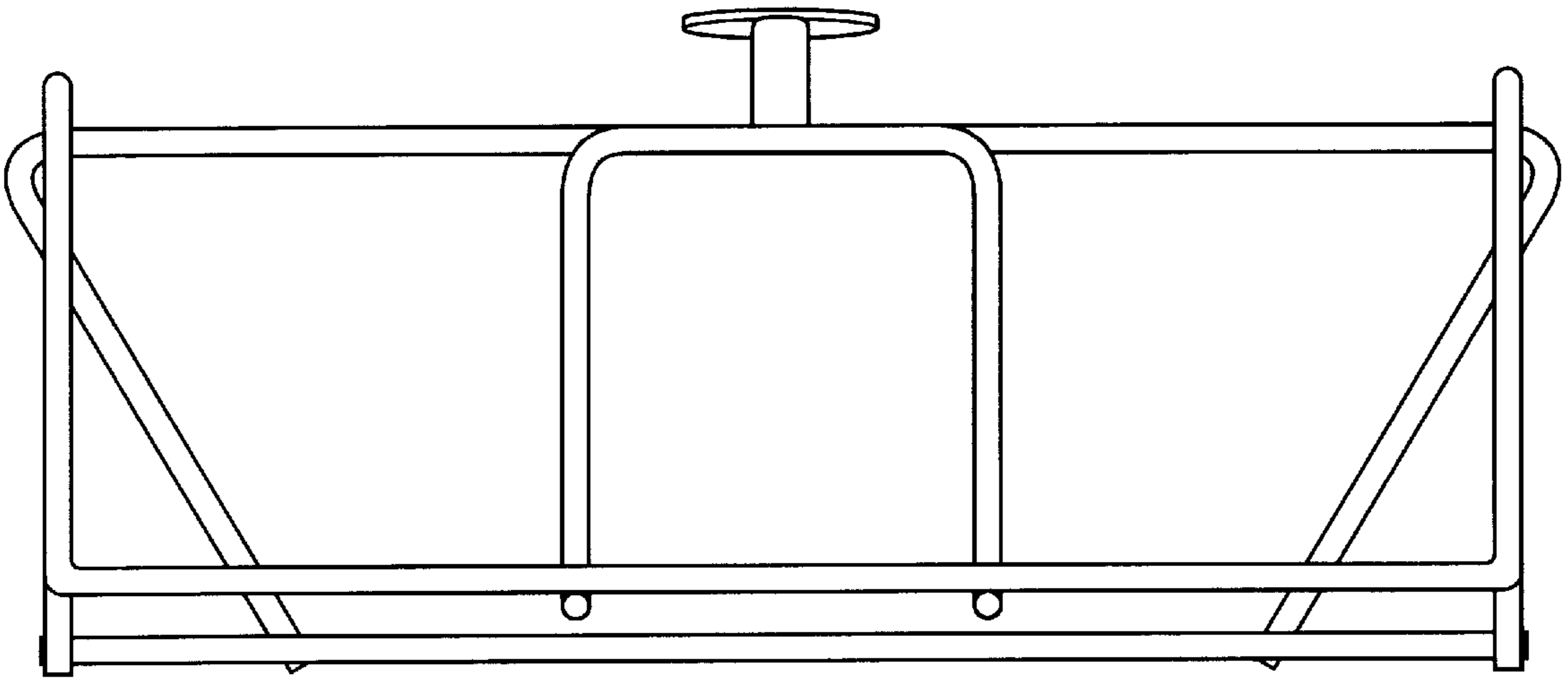


FIG. 5

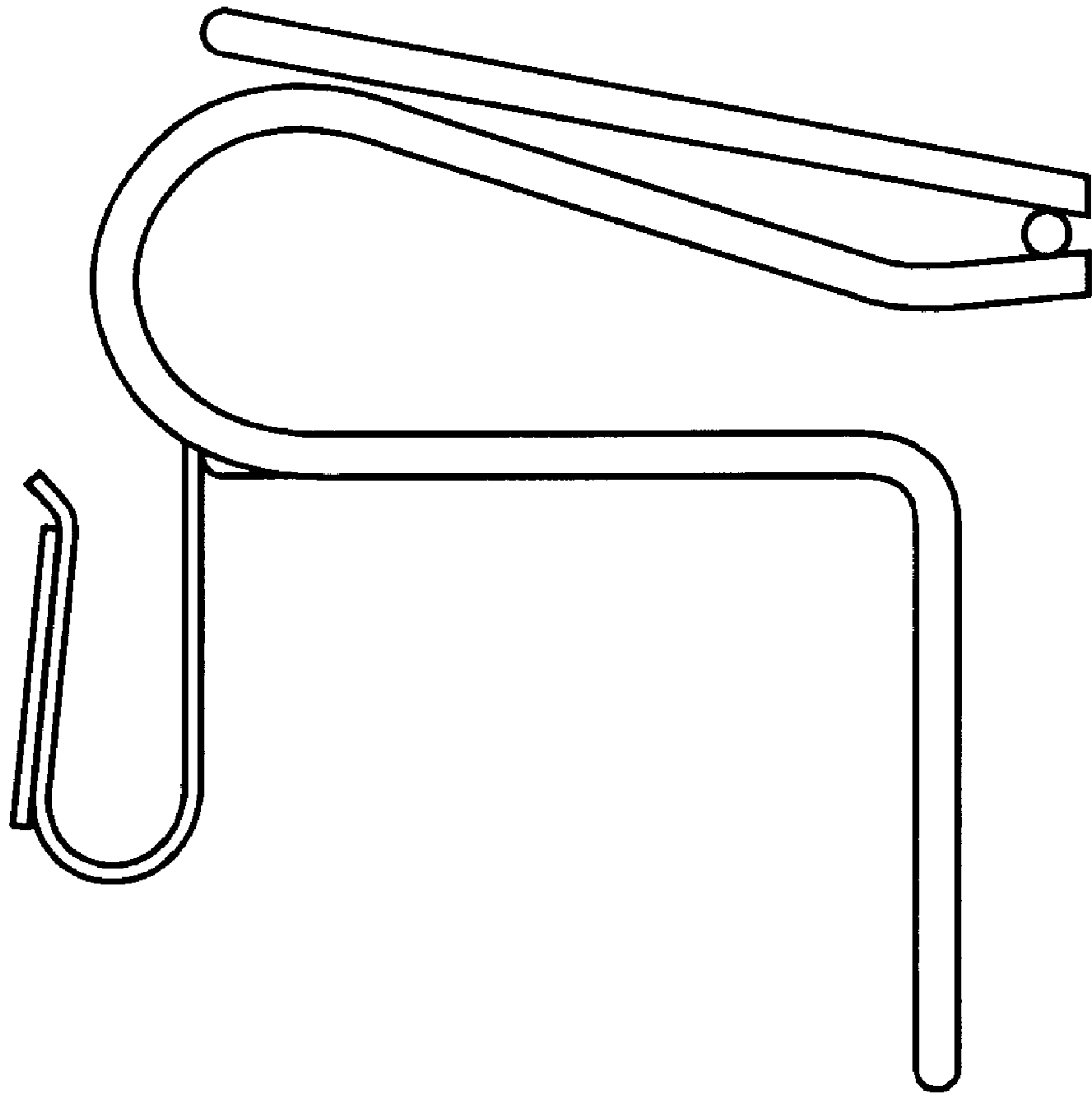


FIG. 6