



US00D434364S

United States Patent [19]

[11] Patent Number: Des. 434,364

Bauer et al.

[45] Date of Patent: ** Nov. 28, 2000

[54] VEHICLE ROOF RACK

[75] Inventors: Robert Bauer; Doug Wilson; Tom Semple, all of San Diego, Calif.; Robert Blanchard, Farmington Hills, Mich.

[73] Assignee: Nissan Design International, Inc., San Diego, Calif.

[**] Term: 14 Years

[21] Appl. No.: 29/107,653

[22] Filed: Jul. 9, 1999

[51] LOC (7) Cl. 12-16

[52] U.S. Cl. D12/412

[58] Field of Search D12/412, 401, D12/406; 296/3, 100, 37.1; 224/309-310, 315, 323-329, 321, 400; 280/760, 848, 727, 762, 769; D6/552, 556; D3/304-306

4,277,008	7/1981	McCleary	224/401
4,308,983	1/1982	Yoshida	224/316
4,406,386	9/1983	Rasor et al.	224/321
4,416,406	11/1983	Popeney	224/314
4,501,385	2/1985	Bott	224/319
4,650,383	3/1987	Hoff	410/149
4,737,056	4/1988	Hunt	410/151
4,824,302	4/1989	Schultheis et al.	410/151
4,834,599	5/1989	Gordon et al.	410/151
5,071,050	12/1991	Pudney et al.	224/321
5,082,404	1/1992	Stewart et al.	410/127
5,104,018	4/1992	Dixon	224/321
5,121,958	6/1992	Goeden et al.	296/37.1
5,328,310	7/1994	Lockney	410/97
5,388,744	2/1995	Glorio et al.	224/324
5,470,003	11/1995	Cucheran	224/316
5,551,617	9/1996	Ray et al.	224/321
5,713,498	2/1998	Cucci	224/328
5,758,810	6/1998	Stapleton	224/321
5,769,292	6/1998	Cucheran et al.	224/324
6,056,176	5/2000	Aftanas et al.	224/321

Primary Examiner—Stacia Cadmus
Attorney, Agent, or Firm—Foley & Lardner

[56] References Cited

U.S. PATENT DOCUMENTS

D. 181,747	12/1957	Pawly et al.	D12/412
D. 181,748	12/1957	Pawly et al.	D12/412
D. 182,705	5/1958	Binding	D12/412
D. 201,013	5/1965	Duer	D12/412
D. 239,618	4/1976	Duer	D12/412
D. 246,238	11/1977	Boas	D12/412
D. 252,961	9/1979	Carroll et al.	D3/304
D. 288,193	2/1987	Caron	D12/412
D. 297,922	10/1988	Holder	D12/157
D. 314,542	2/1991	Bott	D12/412
D. 406,557	3/1999	Bentley	D12/412
D. 411,506	6/1999	Davis	D12/400
D. 413,562	9/1999	Van Dusen et al.	D12/412
1,951,660	3/1934	Klaudt	211/123
2,714,480	8/1955	Harris	224/309
2,914,231	11/1959	Hornke	224/42.1
3,120,323	2/1964	Sparling	D3/306 X
3,223,301	12/1965	Helm	224/42.1
3,554,416	1/1971	Bott	224/42.1
3,782,295	1/1974	Balinski	105/369 B
3,880,394	4/1975	Wisecarver	248/354 S
4,101,061	7/1978	Sage et al.	224/42.1

[57] CLAIM

We claim the ornamental design for a vehicle roof rack, as shown and described.

DESCRIPTION

FIG. 1 is a perspective view of a vehicle roof rack embodying our new design.

FIG. 2 is a reduced top plan view thereof.

FIG. 3 is a reduced right side elevational view thereof.

FIG. 4 is a reduced front elevational view thereof.

FIG. 5 is a reduced rear elevational view thereof.

FIG. 6 is an enlarged cross-sectional view thereof, taken along line 6—6 of FIG. 2; and,

FIG. 7 is an enlarged cross-sectional view thereof, taken along line 7—7 of FIG. 2.

The broken line depiction of a vehicle roof rack forms no part of the claimed design.

The bottom surface of the vehicle roof rack forms no part of the claimed design.

1 Claim, 3 Drawing Sheets

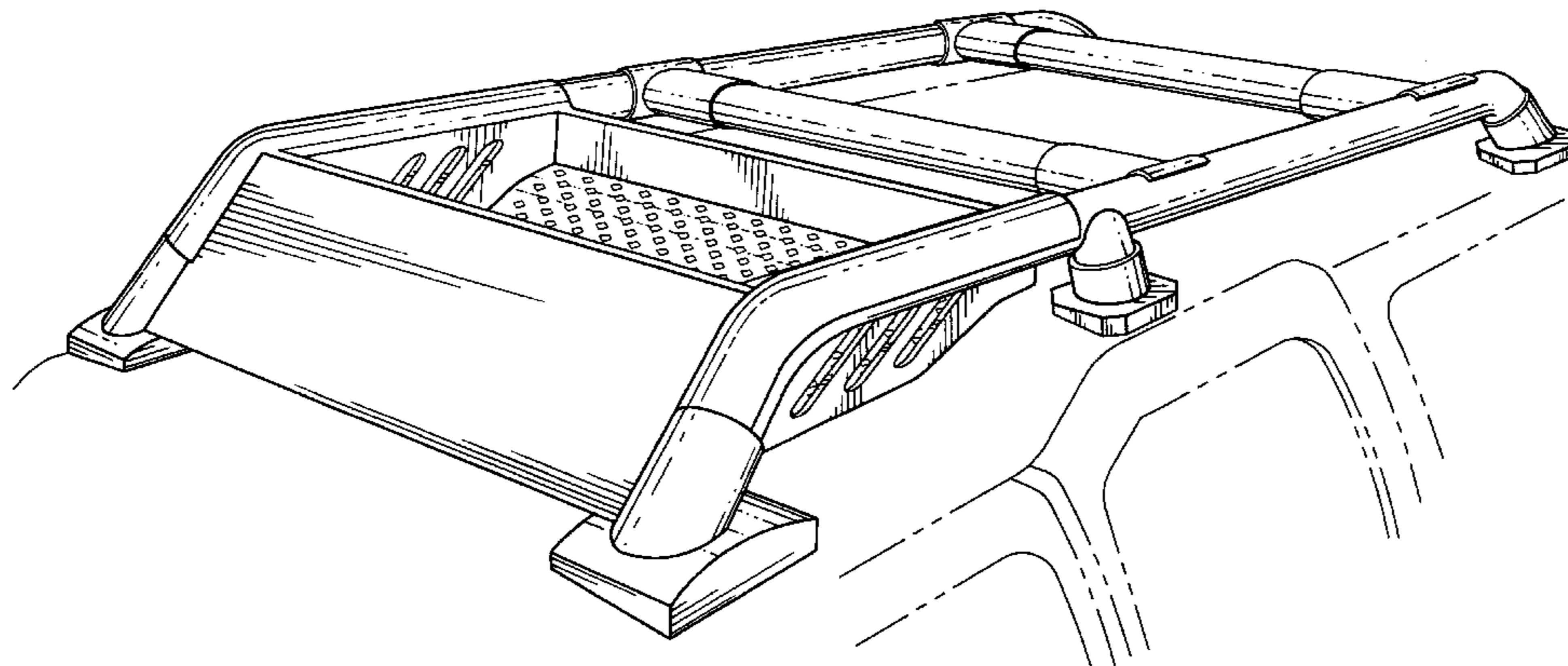
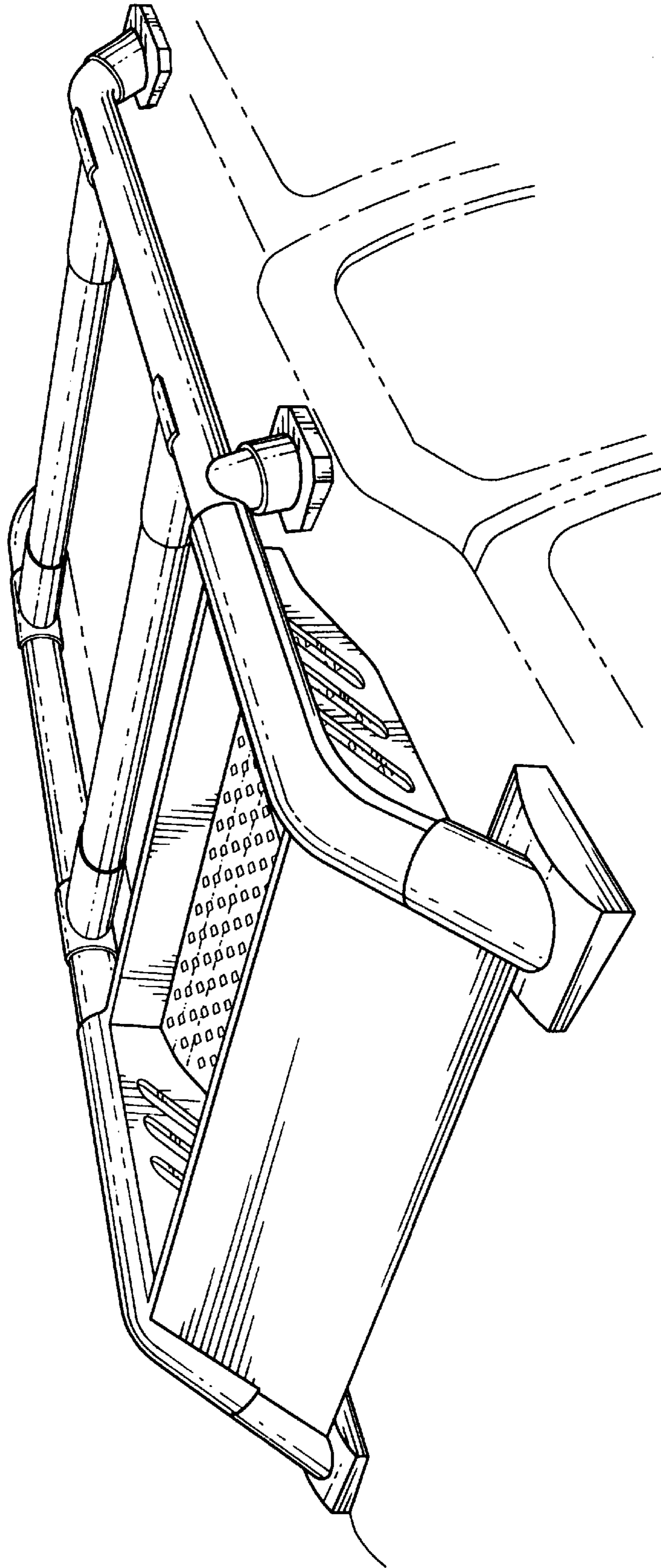


FIG. 1



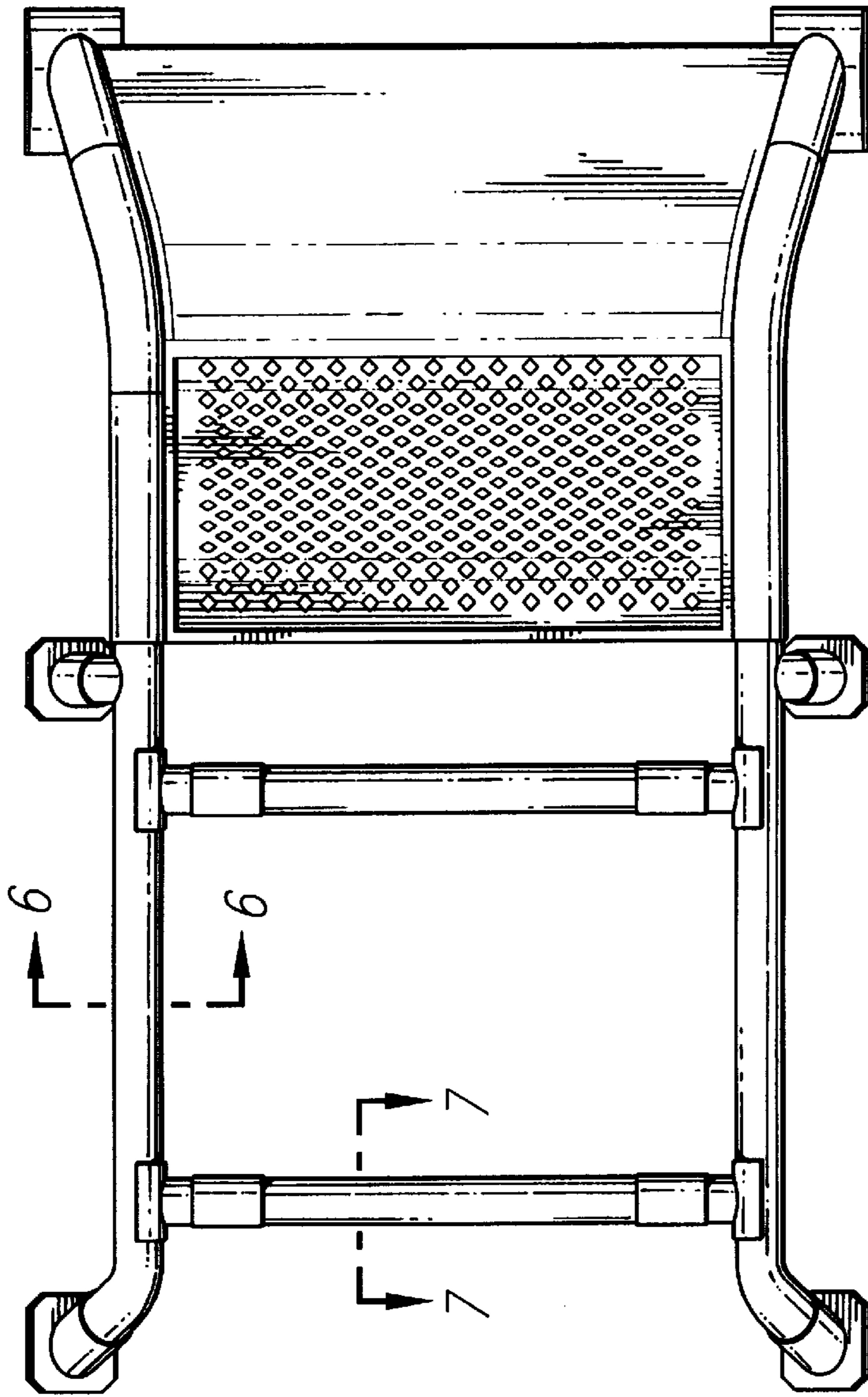


FIG. 2

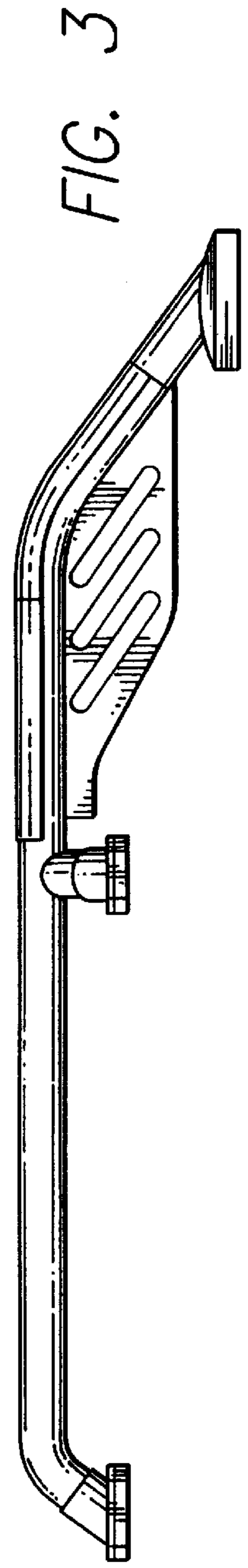


FIG. 3

FIG. 6

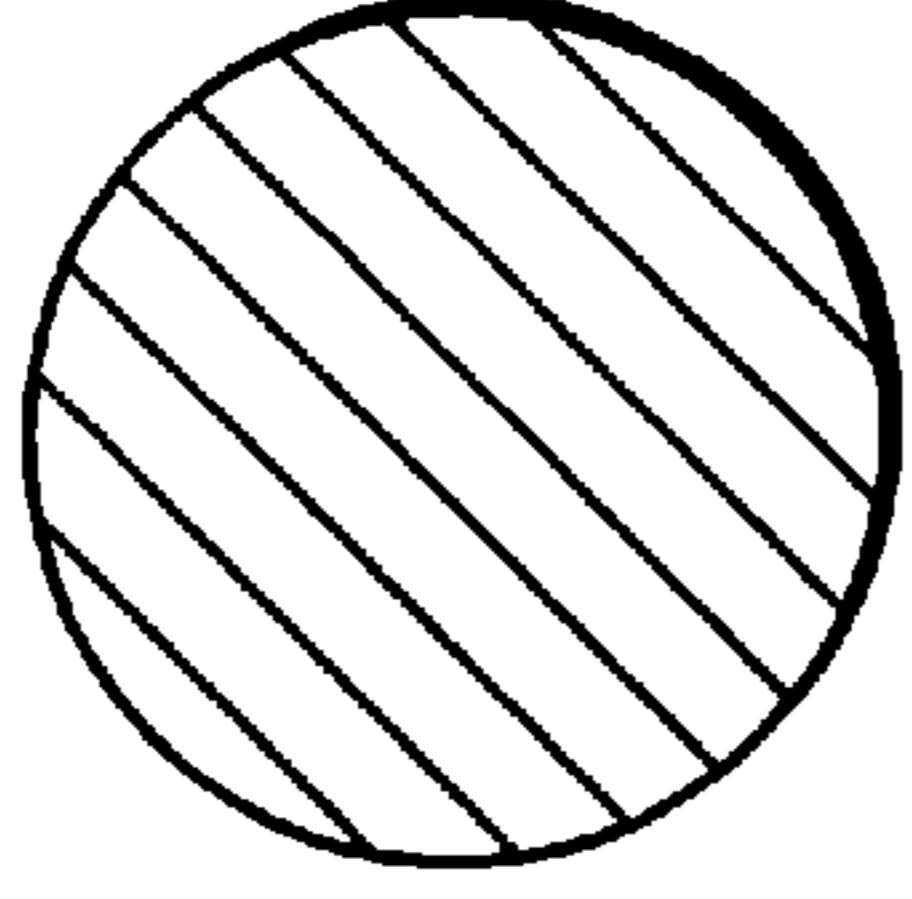


FIG. 7

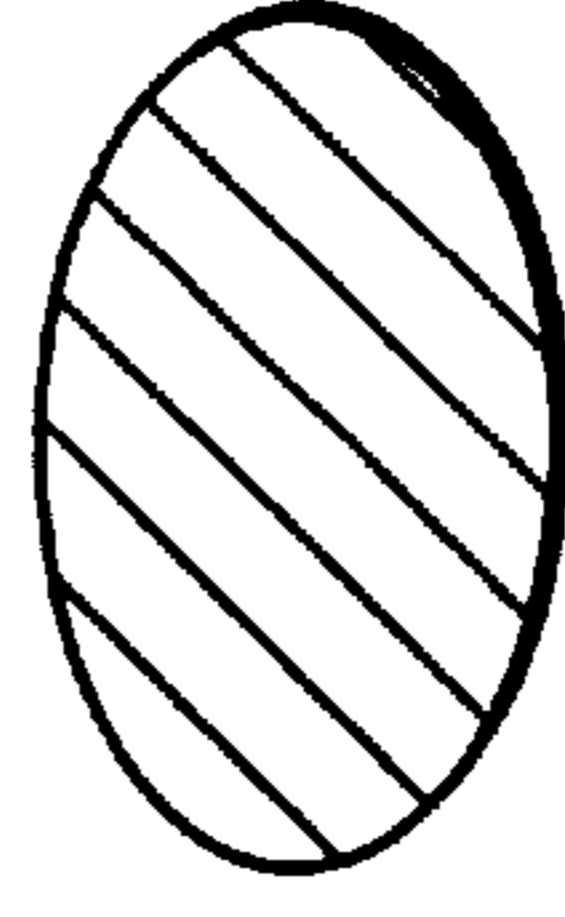


FIG. 4

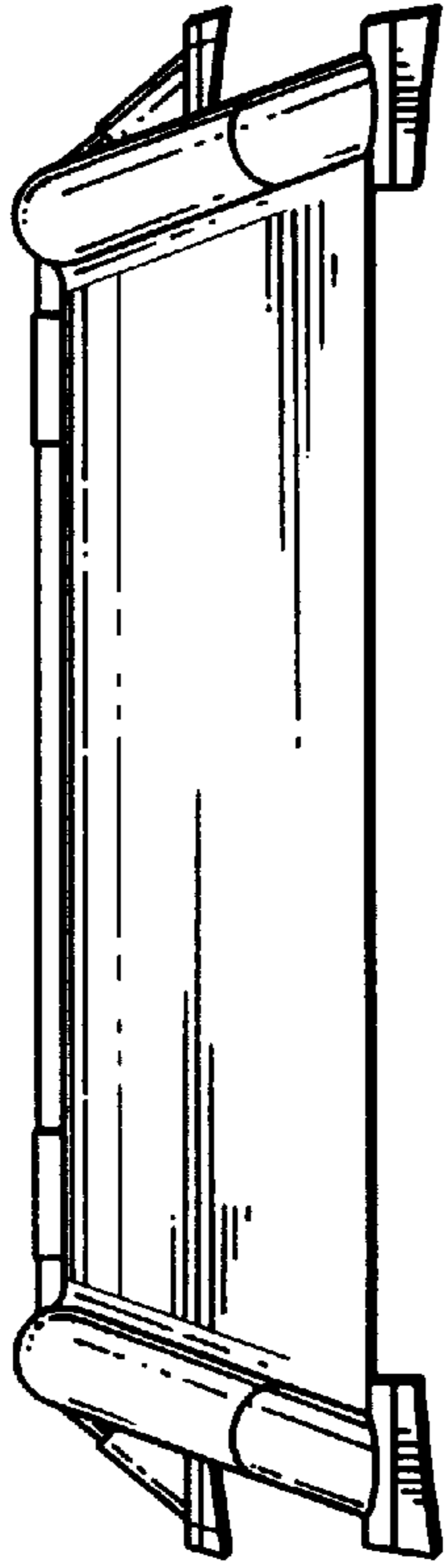


FIG. 5

