



US00D434363S

United States Patent [19]

[11] **Patent Number: Des. 434,363**

McCoy et al.

[45] **Date of Patent: ** Nov. 28, 2000**

[54] **HITCH MOUNT COMBINATION SKI AND SNOWBOARD CARRIER AND HITCH COVER**

[75] Inventors: **Richard W. McCoy**, Granger;
Katherine A. Adams, Mishawaka;
Thomas W. Lindenman, South Bend,
all of Ind.

[73] Assignee: **Reese Products, Inc.**, Elkhart, Ind.

[**] Term: **14 Years**

[21] Appl. No.: **29/113,159**

[22] Filed: **Oct. 29, 1999**

D. 373,557	9/1996	Shaw et al.	D12/162
D. 379,343	5/1997	Shaw et al.	D12/162
D. 401,195	11/1998	Chimenti	D12/162
D. 404,348	1/1999	Hohnholt	D12/162
4,856,686	8/1989	Workentine	224/917.5 X
4,906,015	3/1990	Lacroix et al.	280/415.1
5,096,102	3/1992	Tolson	224/917.5
5,181,822	1/1993	Allsop et al.	224/917 X
5,330,312	7/1994	Allsop et al.	224/917.5
5,443,189	8/1995	Hirschfeld	224/501
5,445,300	8/1995	Eipper et al.	224/496
5,449,101	9/1995	Van Dusen	224/506
5,454,496	10/1995	Sumida et al.	224/509
5,593,076	1/1997	Biondo	224/488
5,803,330	9/1998	Stack et al.	224/518
5,862,966	1/1999	Mehls	224/504
6,010,049	1/2000	Stein	224/485

Related U.S. Application Data

[63] Continuation-in-part of application No. 29/095,817, Oct. 30, 1998, Pat. No. Des. 426,186.

[51] **LOC (7) Cl.** **12-16**

[52] **U.S. Cl.** **D12/406**

[58] **Field of Search** D12/162, 172,
D12/203, 400, 406, 408-414.1; D3/23,
38; 224/917.5, 917, 488, 504-506, 518-519,
521-530, 42.43-42.44, 42.07-42.08, 924;
280/186, 163-166, 30, 39, 769, 491.2,
415.1, 47.34, 402, 507, 476.1, 456.1, 423.1,
416.1, 420, 493, 495, 511, 504; 296/37.1,
37.2

References Cited

U.S. PATENT DOCUMENTS

D. 327,043	6/1992	Ott et al.	D12/406
D. 343,151	1/1994	Eckhart	D12/406
D. 352,925	11/1994	Eckhart	D12/406
D. 369,996	5/1996	Wylie	D12/162

Primary Examiner—Stacia Cadmus

Attorney, Agent, or Firm—Leon E. Redman; Lloyd D. Doigan

[57] CLAIM

The ornamental design for a hitch mount combination ski and snowboard carrier and hitch cover, as shown and described.

DESCRIPTION

FIG. 1 is a perspective view of the hitch mount combination ski and snowboard carrier and hitch cover showing our new design;

FIG. 2 is an enlarged top plan view thereof;

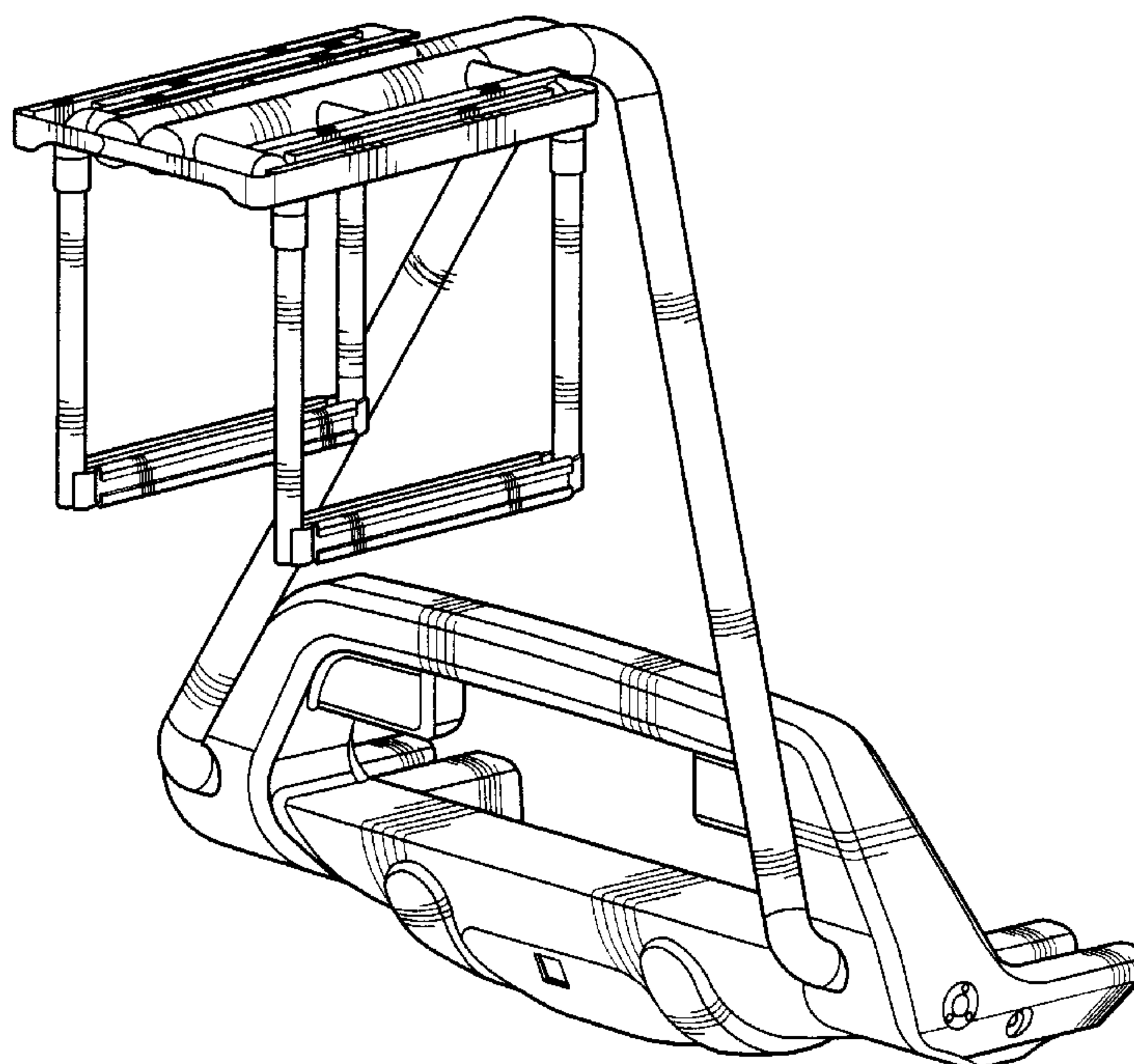
FIG. 3 is an enlarged rear elevational view thereof;

FIG. 4 is an enlarged bottom plan view thereof;

FIG. 5 is an enlarged left side elevational view thereof, the right side being a mirror image of the left shown; and,

FIG. 6 is an enlarged front elevational view thereof.

1 Claim, 3 Drawing Sheets



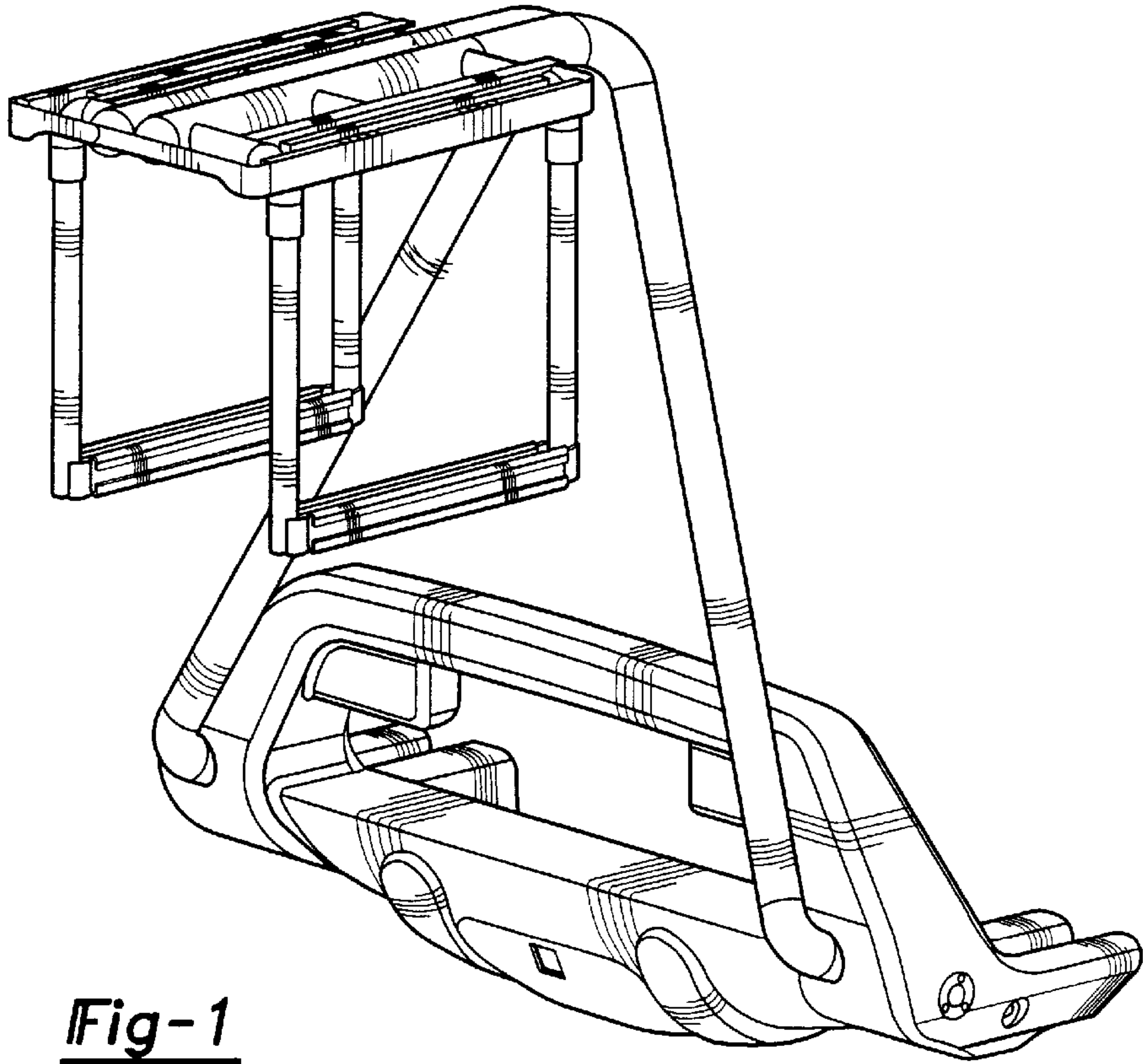


Fig-1

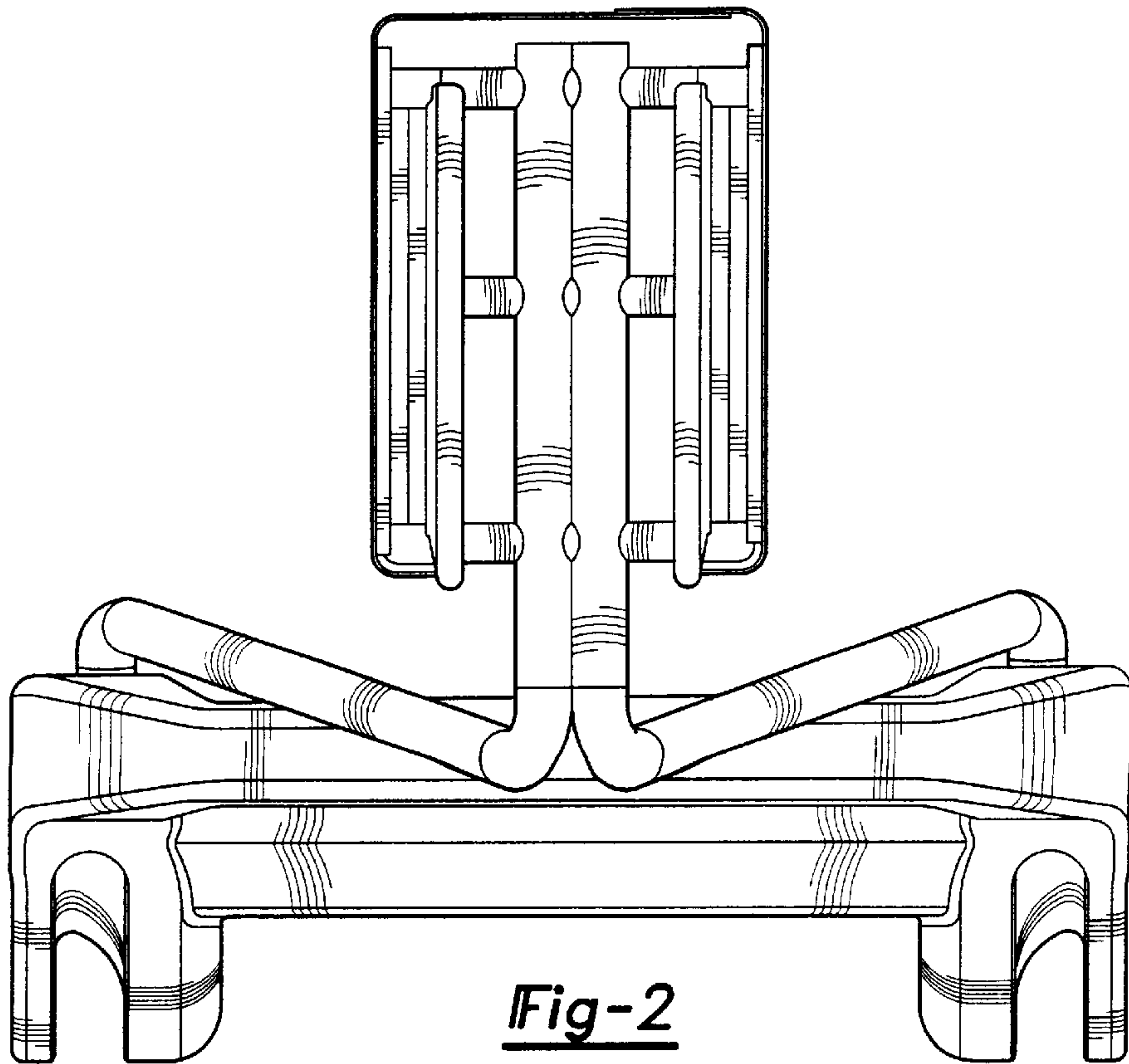


Fig-2

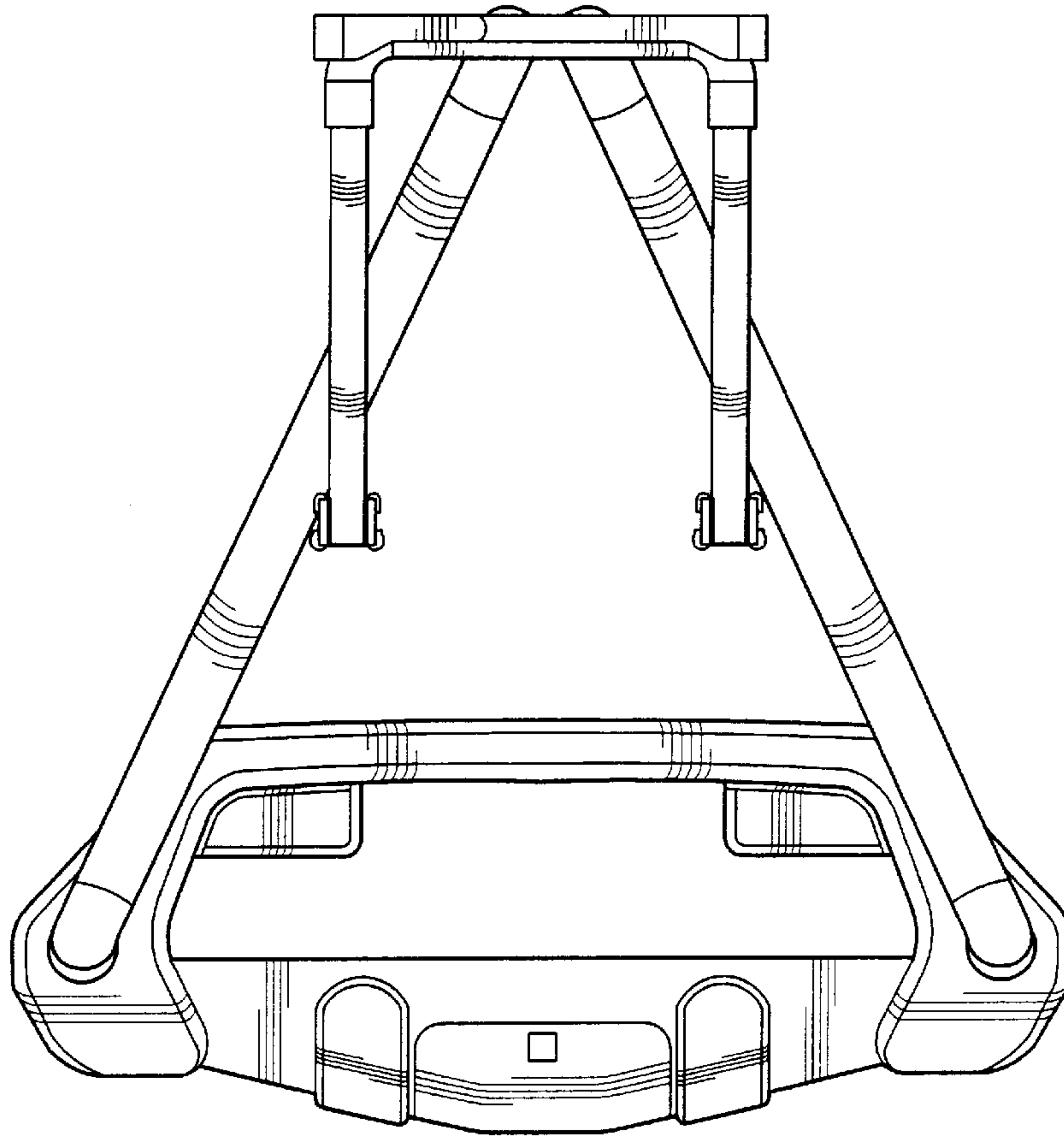


Fig-3

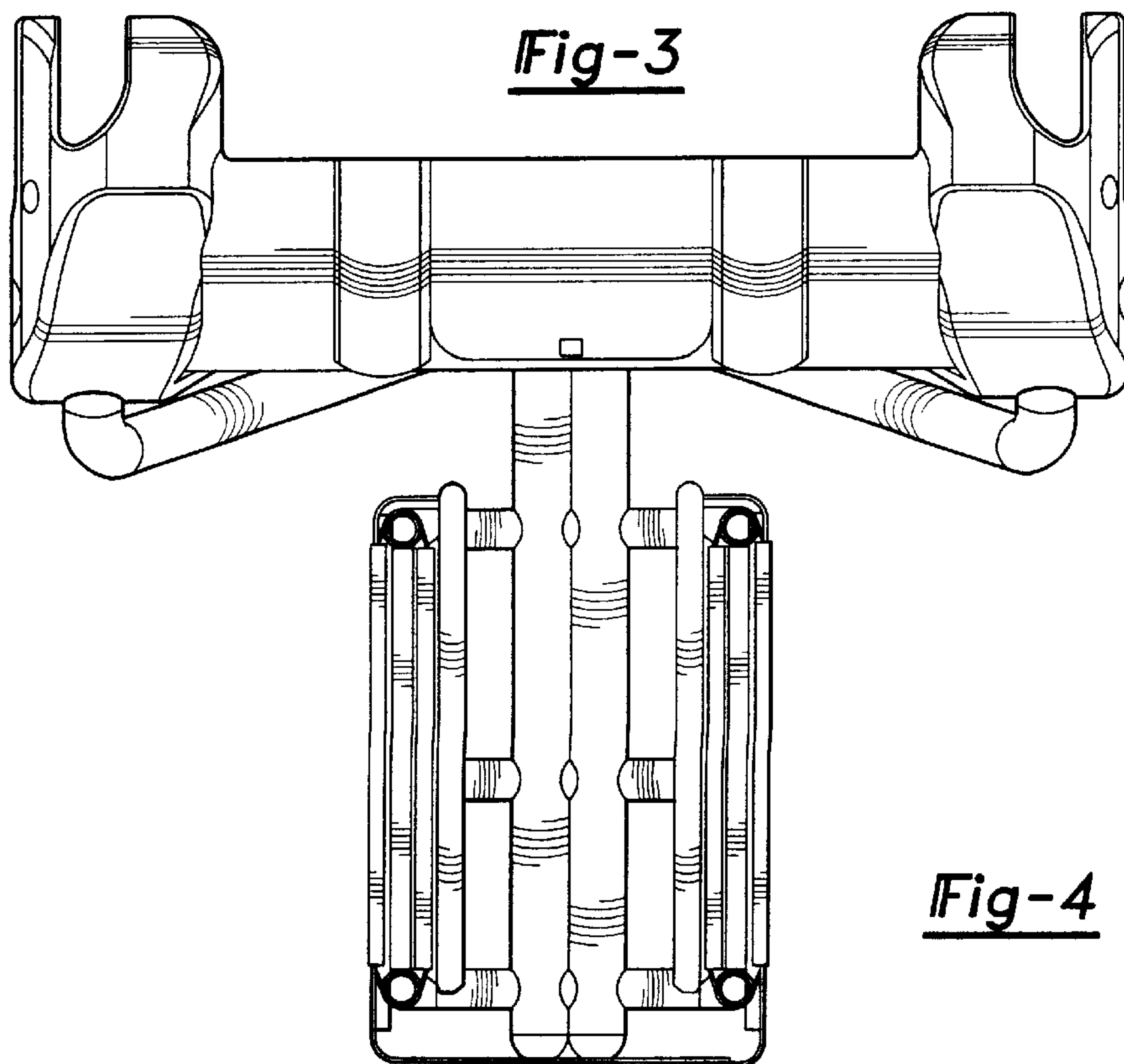


Fig-4

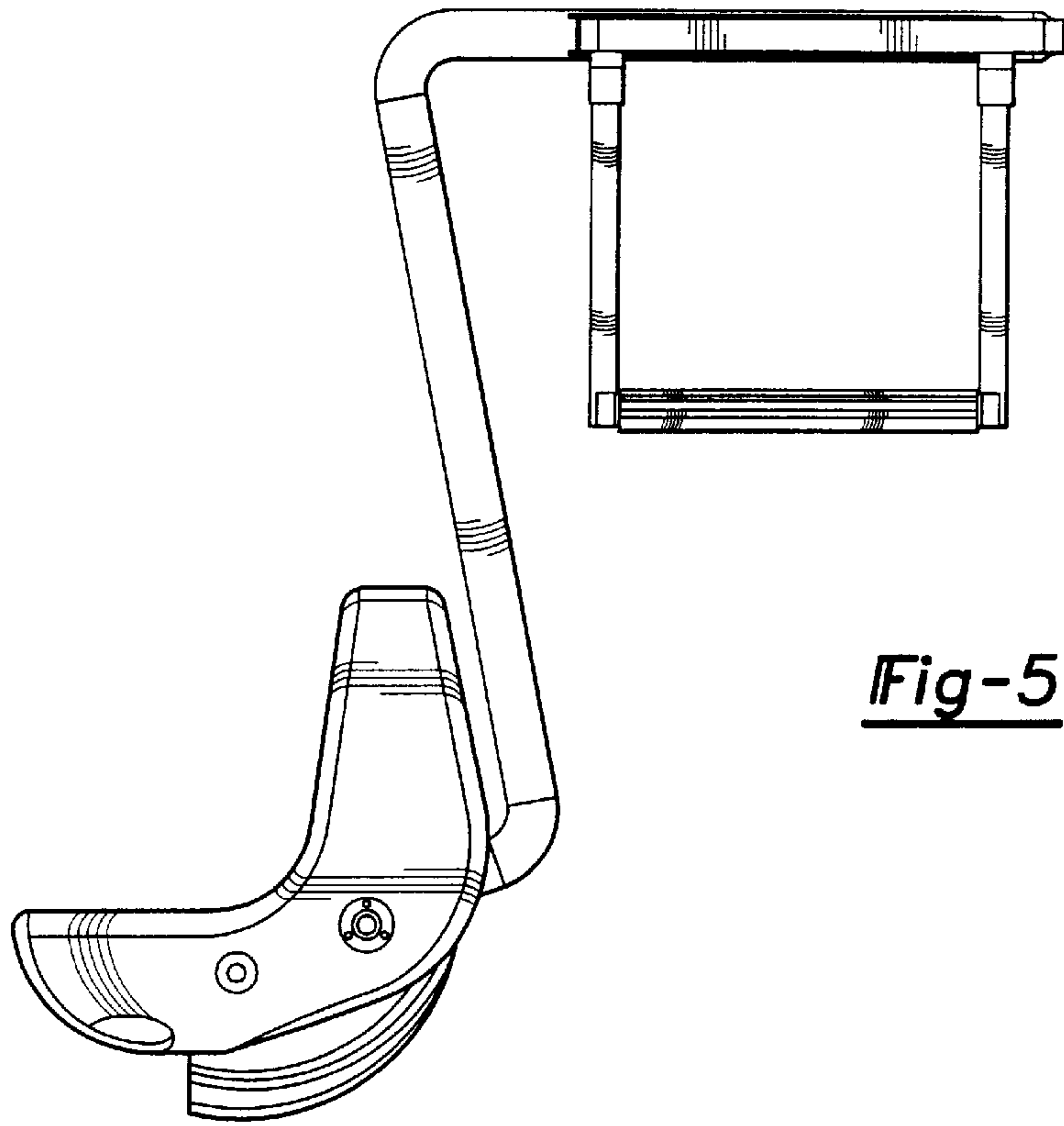


Fig-5

Fig-6

