



US00D434361S

# United States Patent [19]

[11] **Patent Number: Des. 434,361**

**Block et al.**

[45] **Date of Patent: \*\* Nov. 28, 2000**

[54] **RIGID TONNEAU COVER WITH INTEGRAL TOOL BOX**

*Attorney, Agent, or Firm—Knobbe Martens Olson & Bear, LLP*

[75] Inventors: **David C. Block**, Redlands; **Gerald B. Block**, Hemet, both of Calif.

### [57] CLAIM

The ornamental design for a rigid tonneau cover with integral tool box, as shown as described.

[73] Assignee: **Vista Consolidated, Inc.**, San Bernardino, Calif.

### DESCRIPTION

[\*\*] Term: **14 Years**

FIG. 1 is a perspective view of a rigid tonneau cover with integral tool box showing our new design, shown in its position of use;

[21] Appl. No.: **29/124,371**

FIG. 2 is a perspective view of the rigid tonneau cover with integral tool box of FIG. 1 with the cover of the tool box portion shown in open position;

[22] Filed: **Jun. 5, 2000**

FIG. 3 is a top view of the rigid tonneau cover with integral tool box of FIG. 1;

[51] **LOC (7) Cl.** ..... **12-16**

[52] **U.S. Cl.** ..... **D12/401**

[58] **Field of Search** ..... D12/400, 401, D12/412, 406, 415, 423; 296/98–100, 100.1–101; 160/26, 33, 133, 32, 36

FIG. 4 is a left side view of the rigid tonneau cover with integral tool box of FIG. 1, the right side being a mirror image thereof;

### [56] References Cited

#### U.S. PATENT DOCUMENTS

D. 329,998	10/1992	Sutton et al.	.....	D12/401
D. 335,850	5/1993	Cyrson	.....	D12/401
D. 365,080	12/1995	Loughlin	.....	D12/401
D. 403,292	12/1998	Bogard	.....	D12/401
D. 421,736	3/2000	Bogard	.....	D12/401
3,489,456	1/1970	Klanke	.....	D12/401 X
4,615,557	10/1986	Robinson	.....	296/100
4,789,197	12/1988	Lewis	.....	296/100
5,595,417	1/1997	Thoman et al.	.....	296/100
5,620,040	4/1997	Swanner	.....	296/100 X

FIG. 5 is a bottom view of the rigid tonneau cover with integral tool box of FIG. 1;

FIG. 6 is a front view of the rigid tonneau cover with integral tool box of FIG. 1;

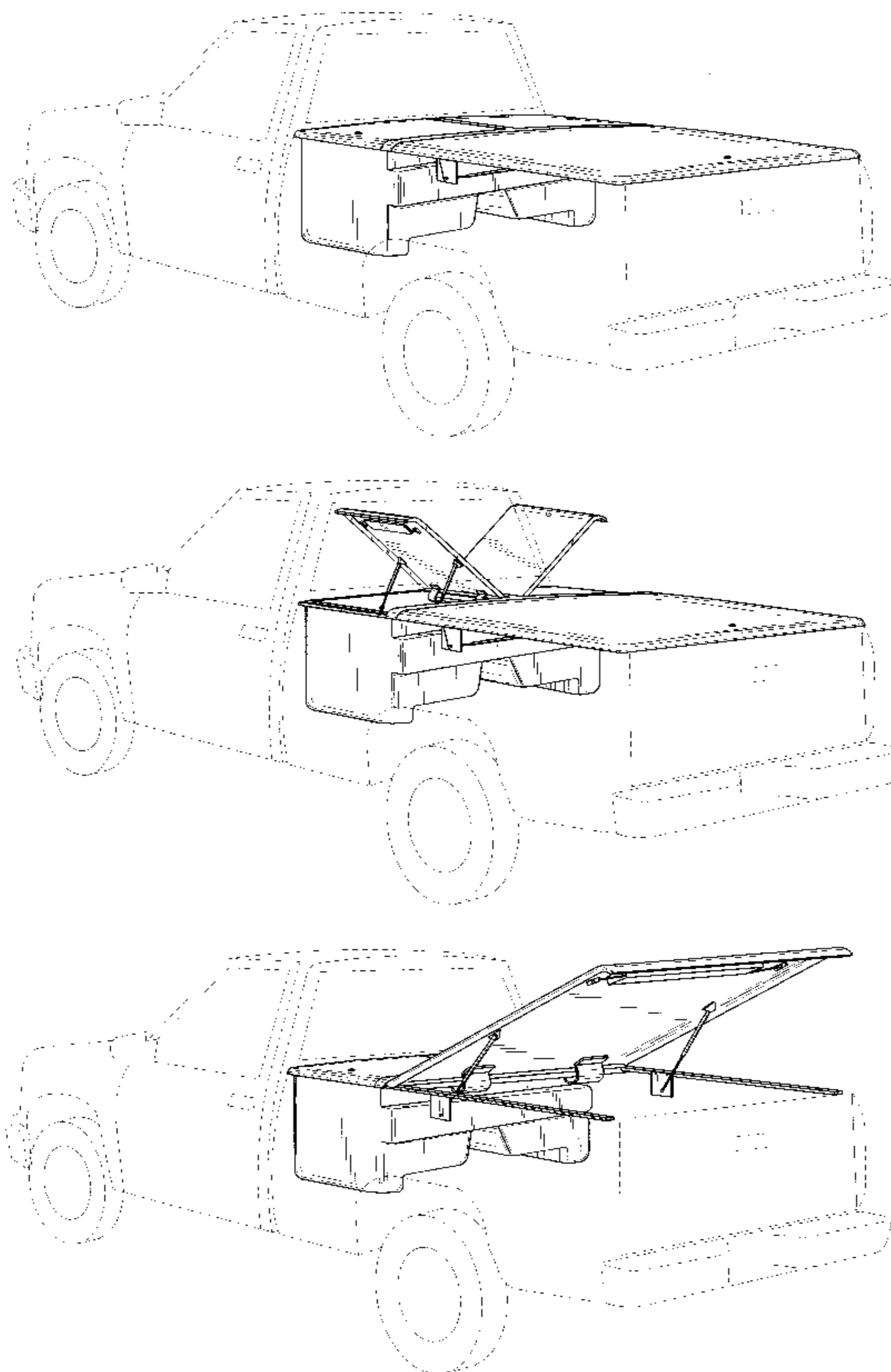
FIG. 7 is a back view of the rigid tonneau cover with integral tool box of FIG. 1; and,

FIG. 8 is a perspective view of the rigid tonneau cover with integral tool box of FIG. 1 with the back cover portion shown in open position.

The broken line showing of environment is for illustrative purposes only and forms no part of the claimed design.

*Primary Examiner—Stacia Cadmus*

**1 Claim, 5 Drawing Sheets**



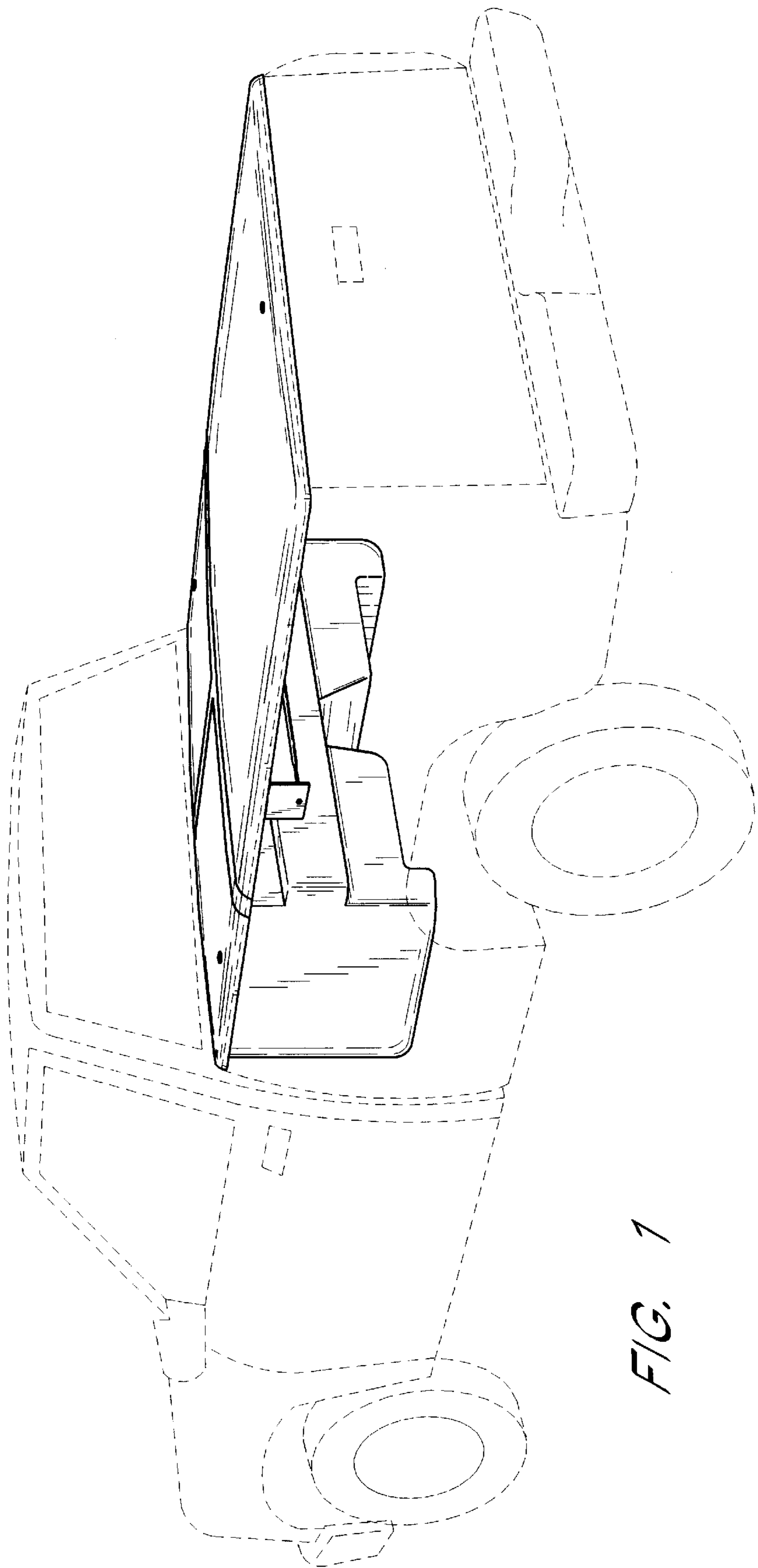


FIG. 1

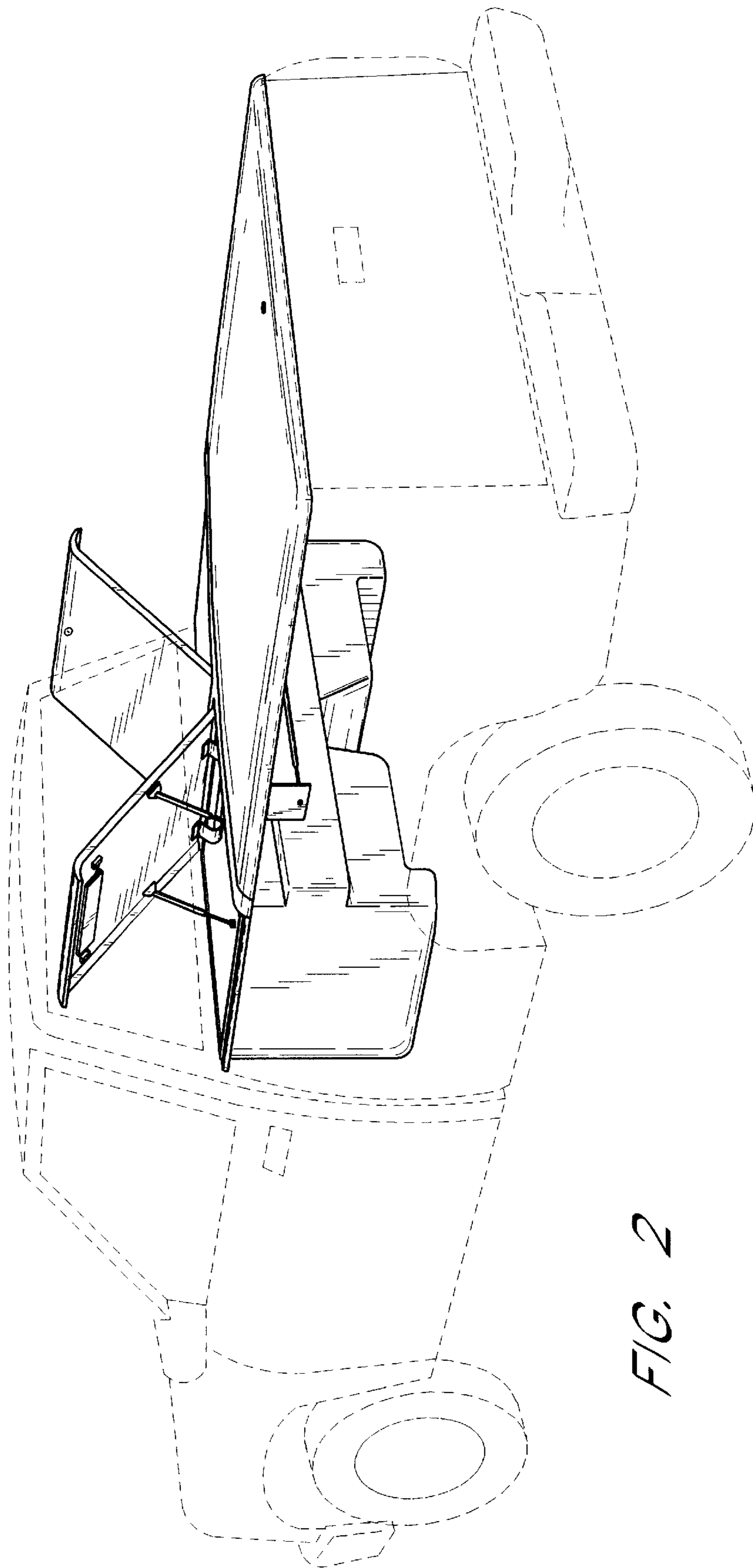


FIG. 2

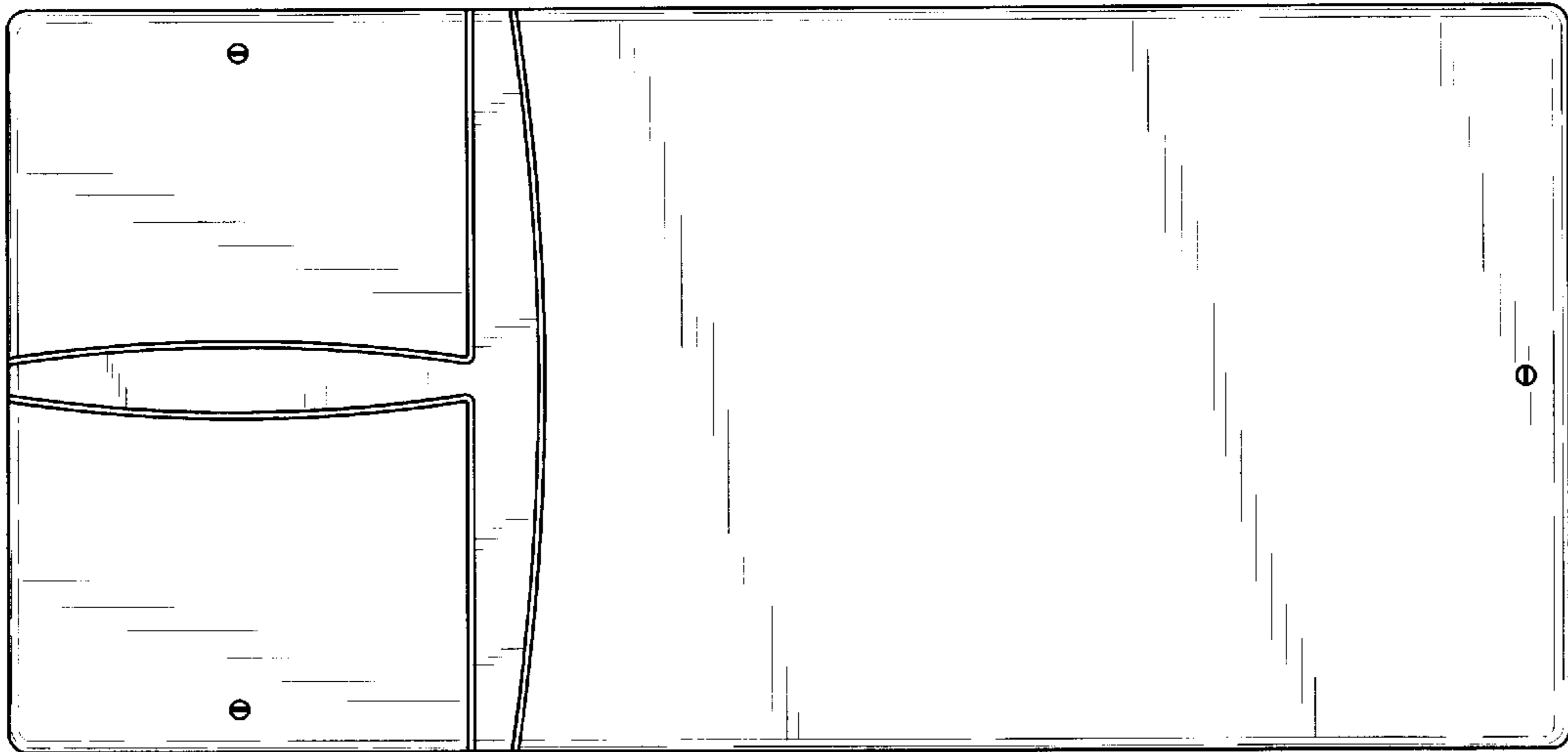


FIG. 3

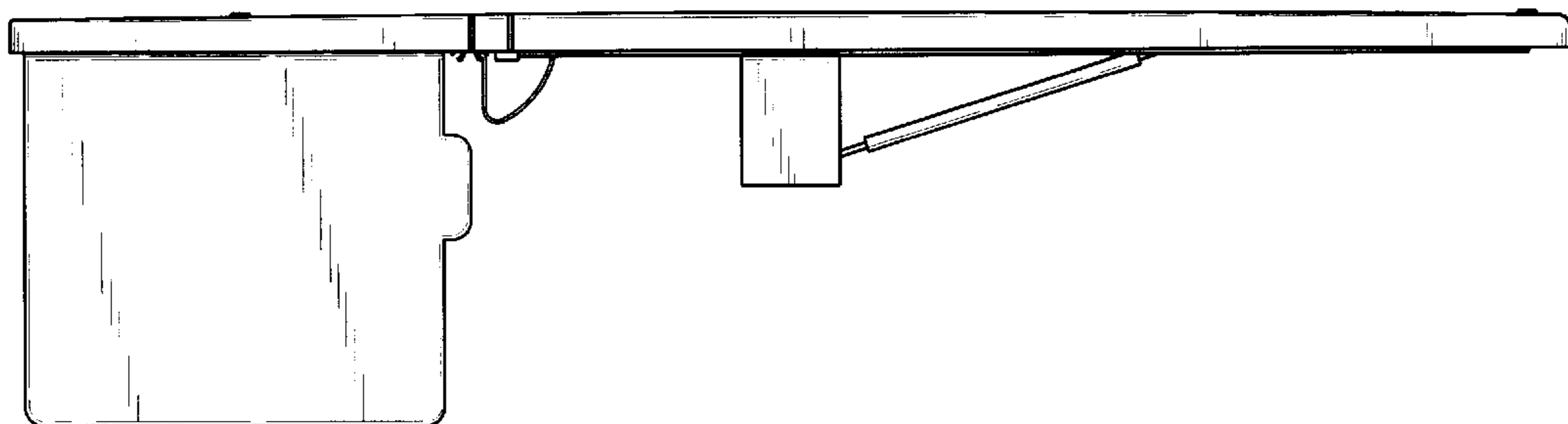


FIG. 4

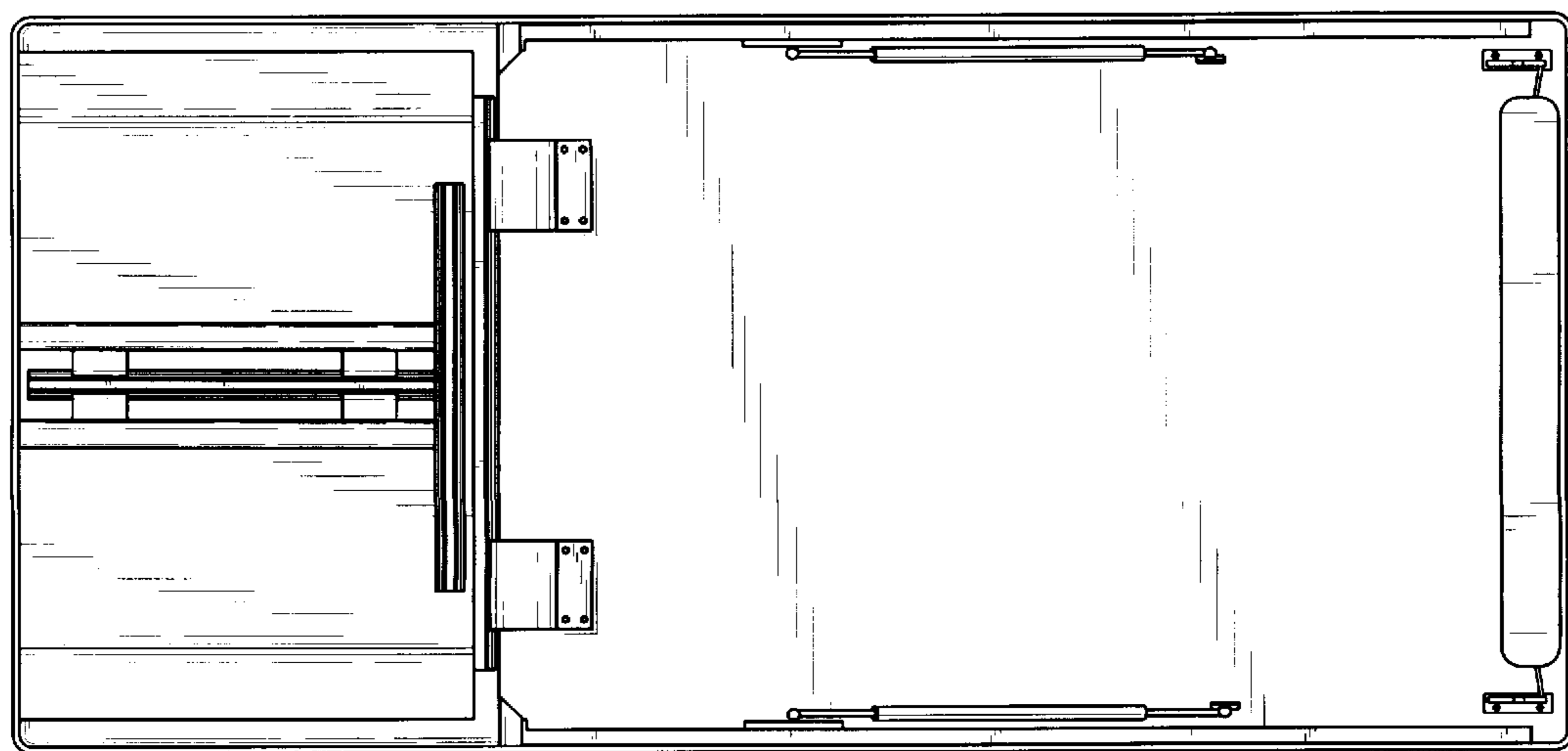
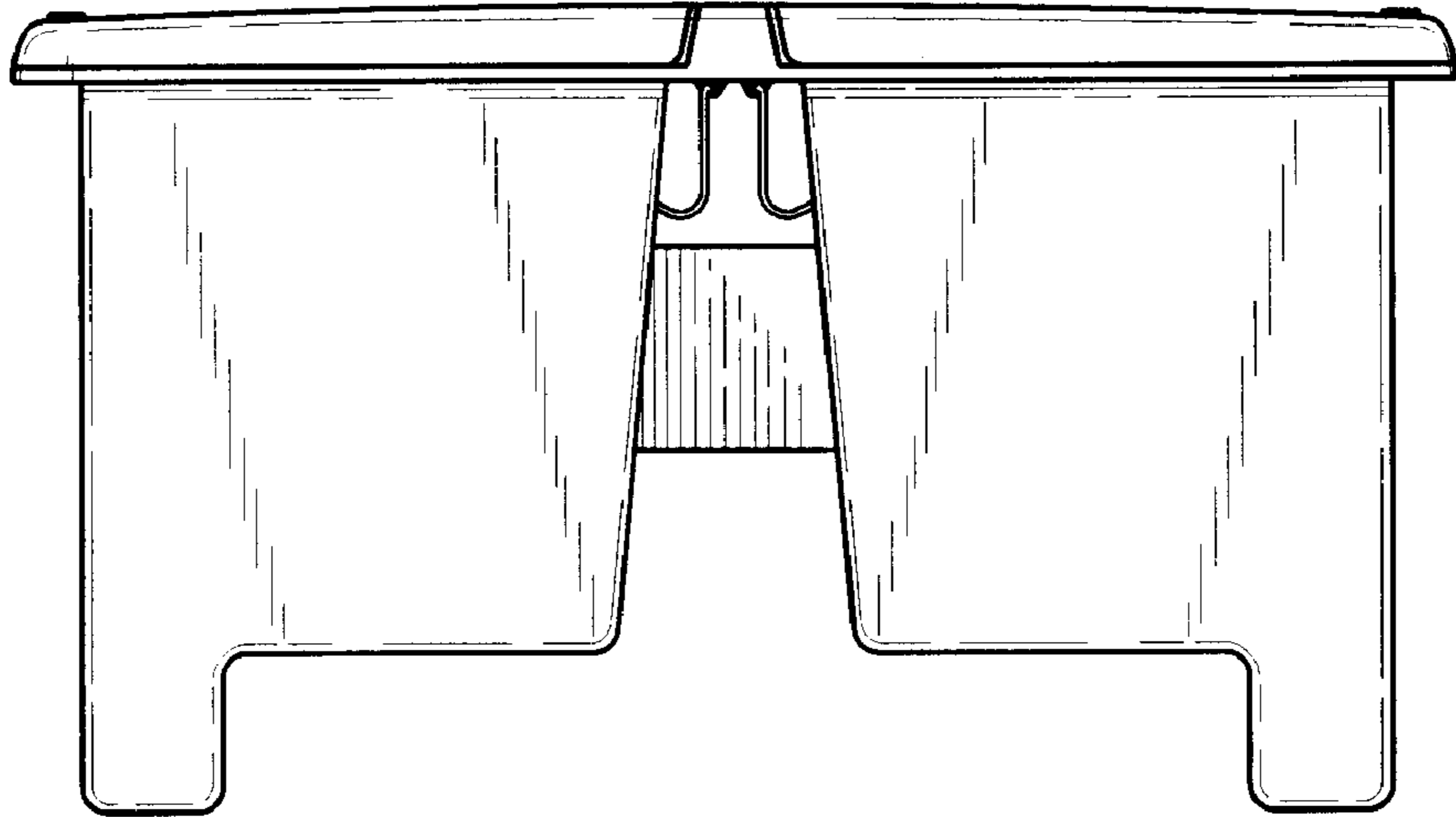
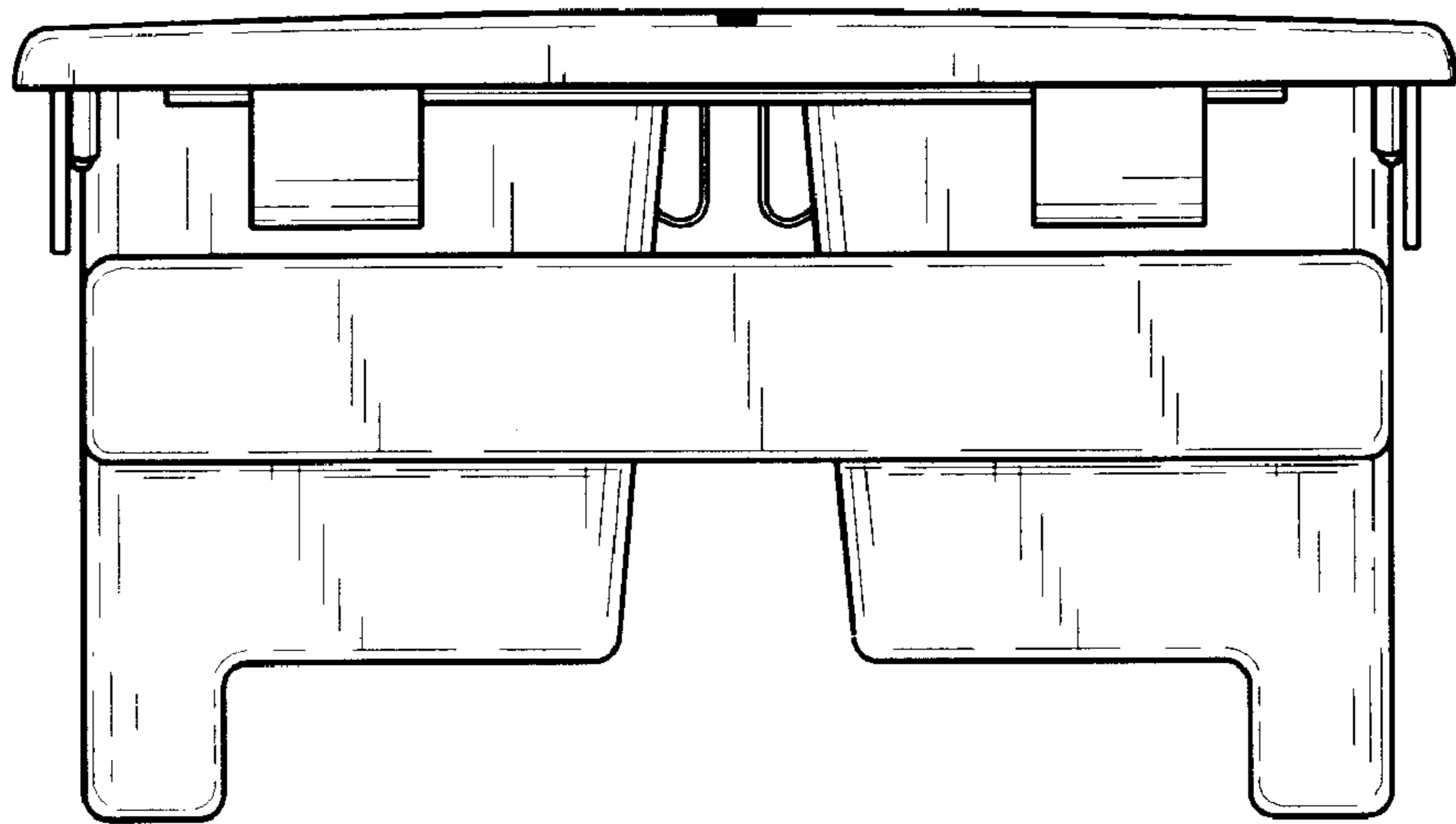


FIG. 5



*FIG. 6*



*FIG. 7*

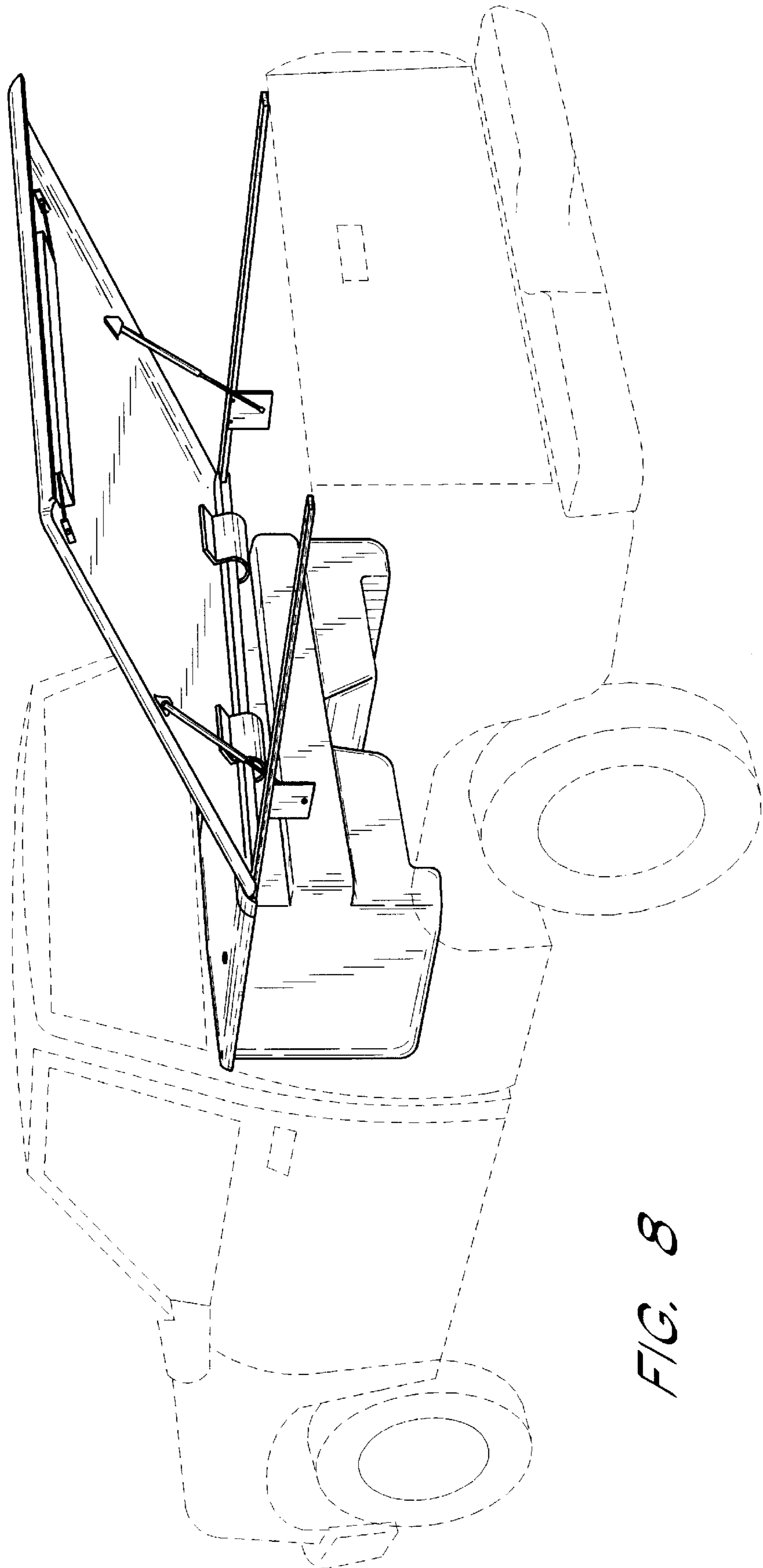


FIG. 8