



US00D434355S

United States Patent [19]

Morita et al.

[11] **Patent Number: Des. 434,355**

[45] **Date of Patent: ** Nov. 28, 2000**

[54] **RADIATOR GRILL FOR A VEHICLE**

D. 415,081 10/1999 Wittine D12/163
D. 422,249 4/2000 Saito et al. D12/163

[75] Inventors: **Mitsunori Morita**, Kanagawa; **Isao Hoshino**, Tokyo, both of Japan

Primary Examiner—Melody N. Brown
Attorney, Agent, or Firm—Sughrue, Mion, Zinn, Macpeak & Seas, PLLC

[73] Assignee: **Isuzu Motors Limited**, Tokyo, Japan

[**] Term: **14 Years**

[57] CLAIM

[21] Appl. No.: **29/117,175**

The ornamental design for a radiator grill for vehicle, as shown.

[22] Filed: **Jan. 20, 2000**

[30] Foreign Application Priority Data

DESCRIPTION

Jul. 23, 1999 [JP] Japan 11-19550

FIG. 1 is a perspective view of the front and left side of a radiator grill for a vehicle showing our new design;

[51] **LOC (7) Cl.** **12-16**

FIG. 2 is a top plan view thereof;

[52] **U.S. Cl.** **D12/163**

FIG. 3 is a front elevational view thereof;

[58] **Field of Search** D12/163, 169,
D12/196, 90-92; 180/68.6; 296/194

FIG. 4 is a right side elevational view thereof;

FIG. 5 is a rear elevational view thereof; and,

FIG. 6 is a bottom plan view thereof.

[56] References Cited

U.S. PATENT DOCUMENTS

D. 411,493 6/1999 Davis, Jr. D12/163

1 Claim, 3 Drawing Sheets

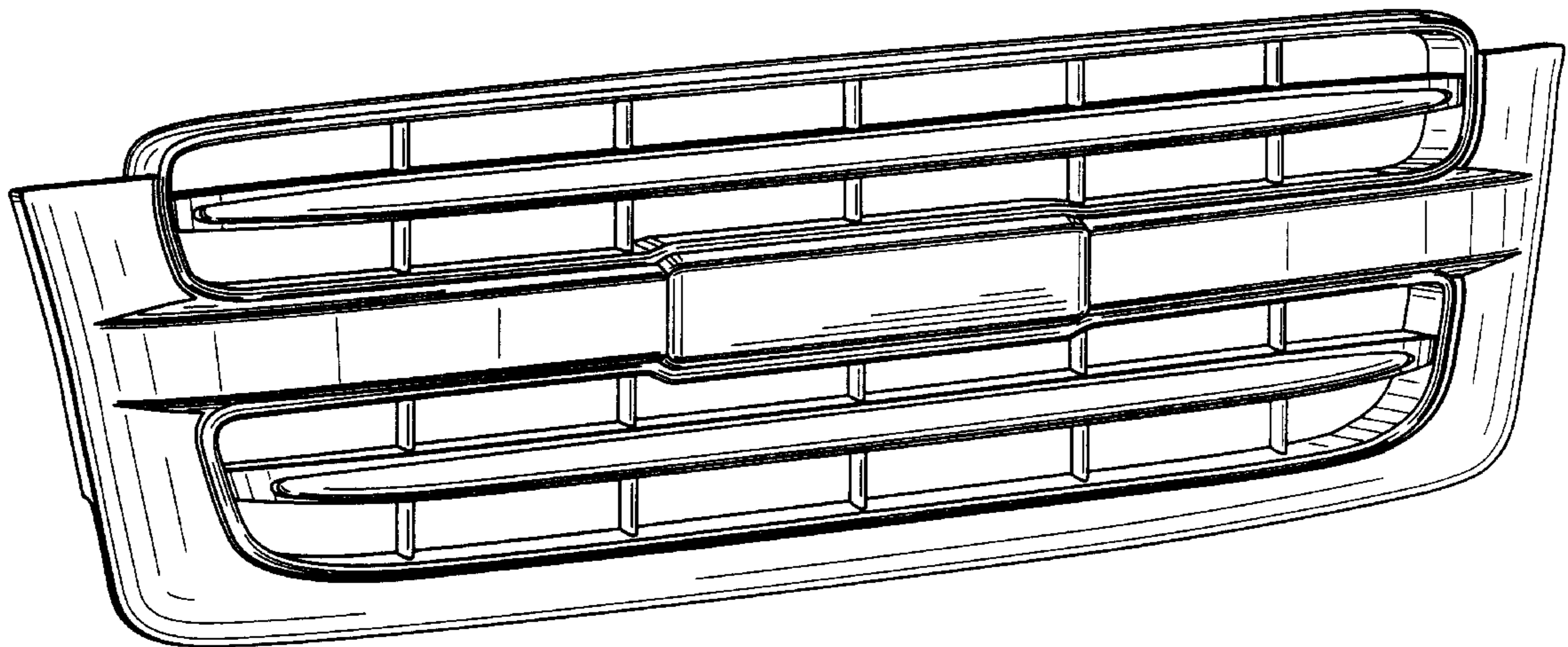


FIG. 1

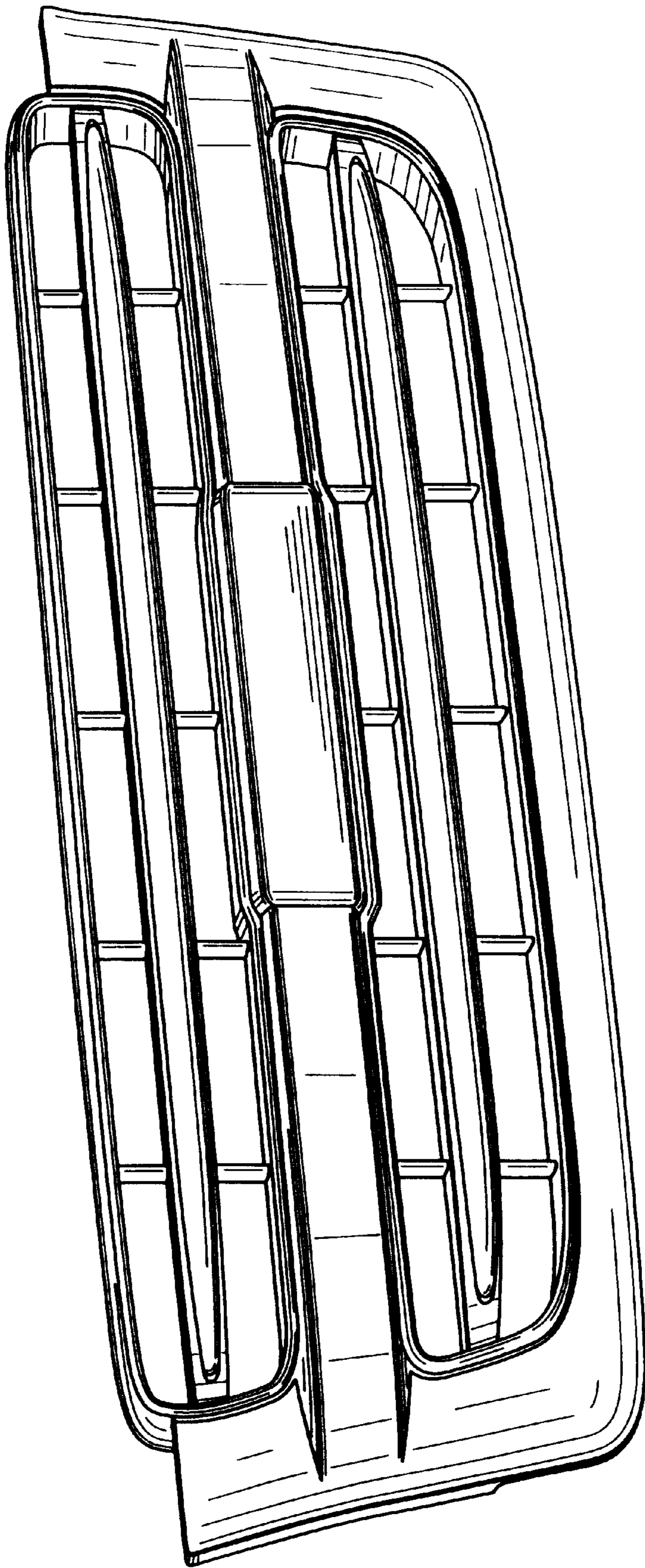


FIG. 2



FIG. 3

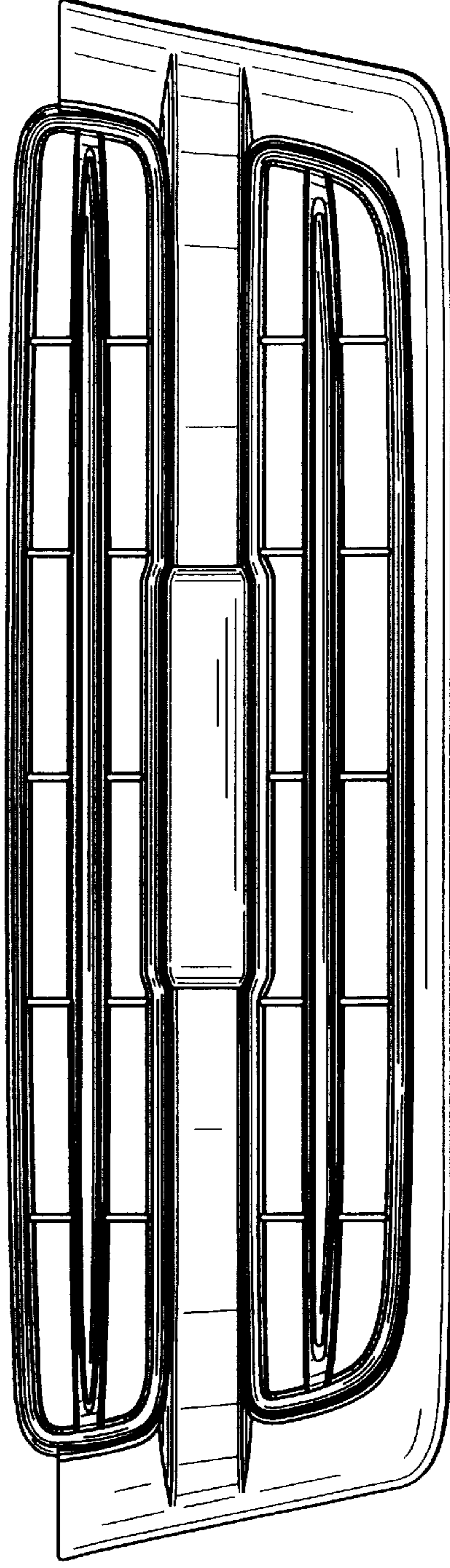


FIG. 4

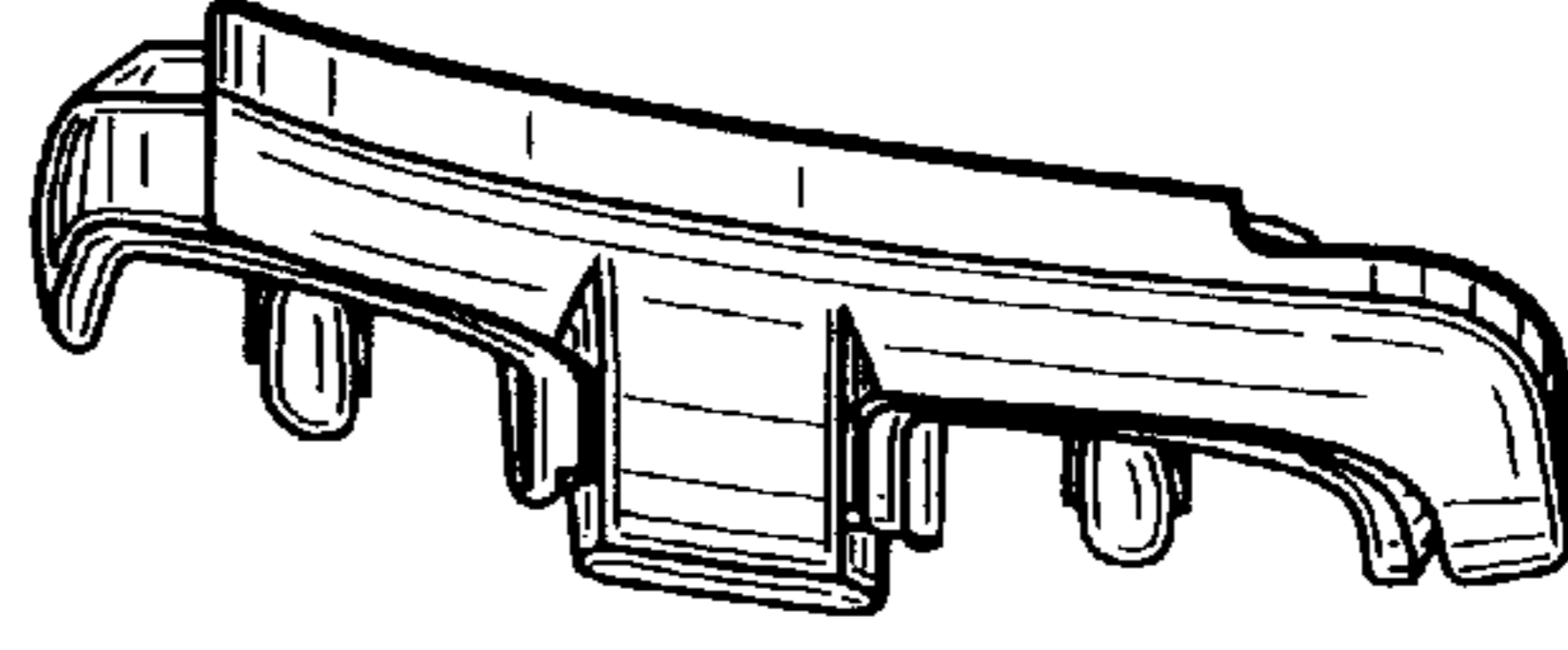


FIG. 5

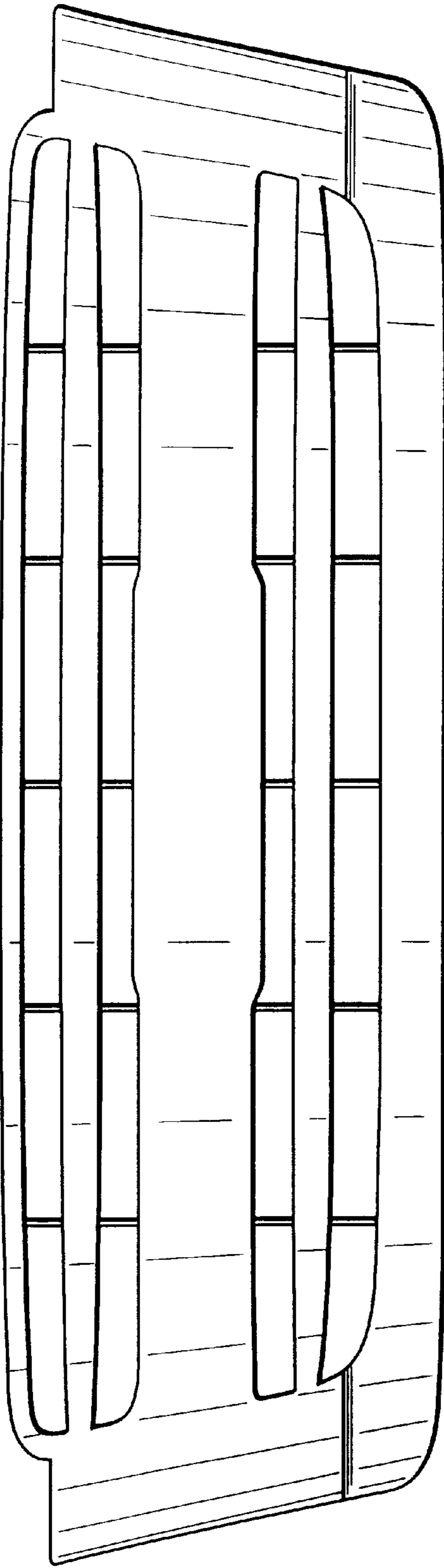


FIG. 6

