



US00D434348S

United States Patent [19]

Delashaw et al.

[11] Patent Number: Des. 434,348

[45] Date of Patent: ** Nov. 28, 2000

[54] EXTERIOR SURFACE CONFIGURATION OF A FUEL TANK FAIRING FOR A TRUCK

[75] Inventors: **Bryan W. Delashaw**, Frisco; **Louis D. Heilaneh**, Lewisville, both of Tex.

[73] Assignee: **Paccar Inc**, Bellevue, Wash.

[**] Term: **14 Years**

[21] Appl. No.: **29/117,264**

[22] Filed: **Jan. 20, 2000**

[51] **LOC (7) Cl.** **12-08**

[52] **U.S. Cl.** **D12/96**

[58] **Field of Search** D12/96, 97, 196, D12/203; 296/183, 193, 196, 197, 180.2

[56] References Cited

U.S. PATENT DOCUMENTS

D. 312,609	12/1990	Preslik et al.	D12/96
D. 312,810	12/1990	Preslik et al.	D12/203
D. 313,954	1/1991	Fingerle	D12/96
D. 319,036	8/1991	Fingerle	D12/96
D. 320,582	10/1991	Fingerle	D12/96
D. 381,949	8/1997	Barrett, Jr. et al.	D12/203
D. 395,848	7/1998	Meryman et al.	D12/97
D. 406,553	3/1999	Hellhake et al.	D12/97
D. 420,622	2/2000	Hellhake et al.	D12/97

OTHER PUBLICATIONS

Commercial Carrier Journal, Feb. 1994, p. 85, The Kenilworth truck side fairing.

Primary Examiner—Melody N. Brown
Attorney, Agent, or Firm—Sidley & Austin

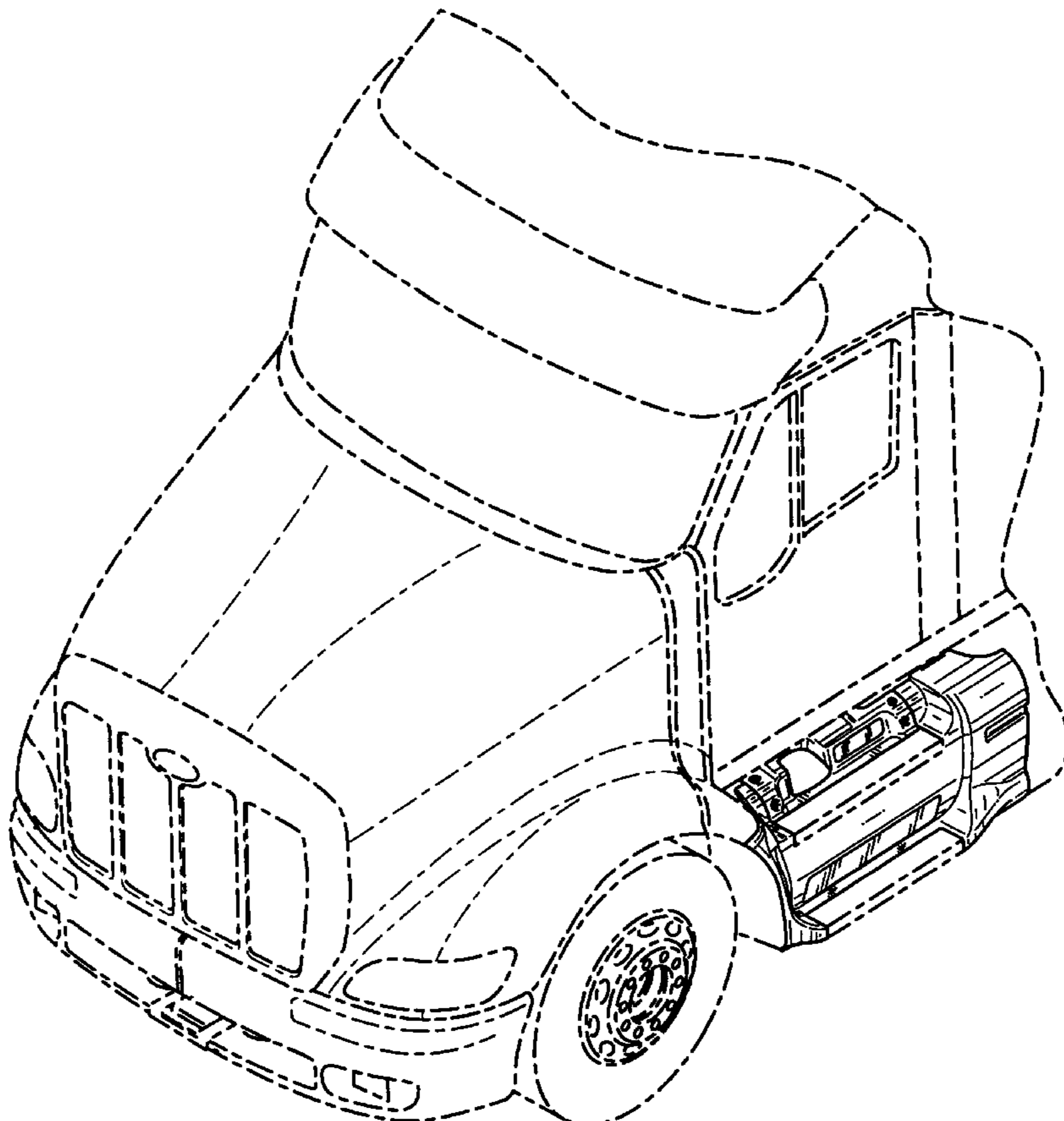
[57] CLAIM

The ornamental design for an exterior surface configuration of a fuel tank fairing for a truck, as shown and described.

DESCRIPTION

FIG. 1 is a perspective view of an exterior surface configuration of a fuel tank fairing for a truck showing a first embodiment of our new design;
 FIG. 2 is a front view thereof;
 FIG. 3 is a right side view thereof;
 FIG. 4 is a left side view thereof;
 FIG. 5 is a top view thereof;
 FIG. 6 is a bottom view thereof;
 FIG. 7 is a reduced perspective view thereof; and,
 FIG. 8 is a reduced perspective view of an exterior surface configuration of a fuel tank fairing for a truck showing a second embodiment of our new design which is identical to that shown in FIGS. 1–7 except it is mirror symmetrical.
 The broken line showing of adjacent truck parts in FIGS. 1–8 is only for showing the surrounding environment and is not part of the claimed design.

1 Claim, 7 Drawing Sheets



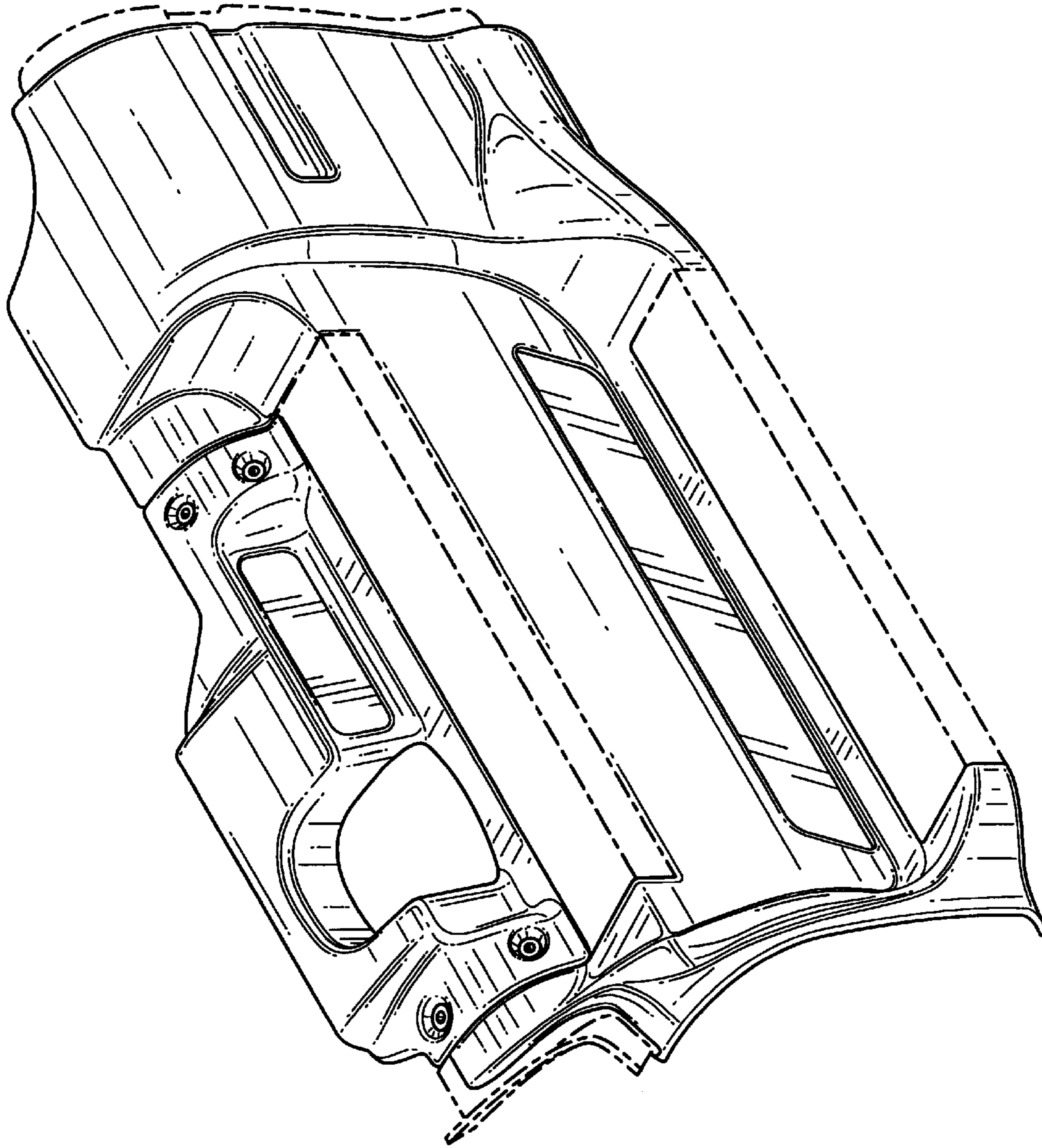


FIG. 1

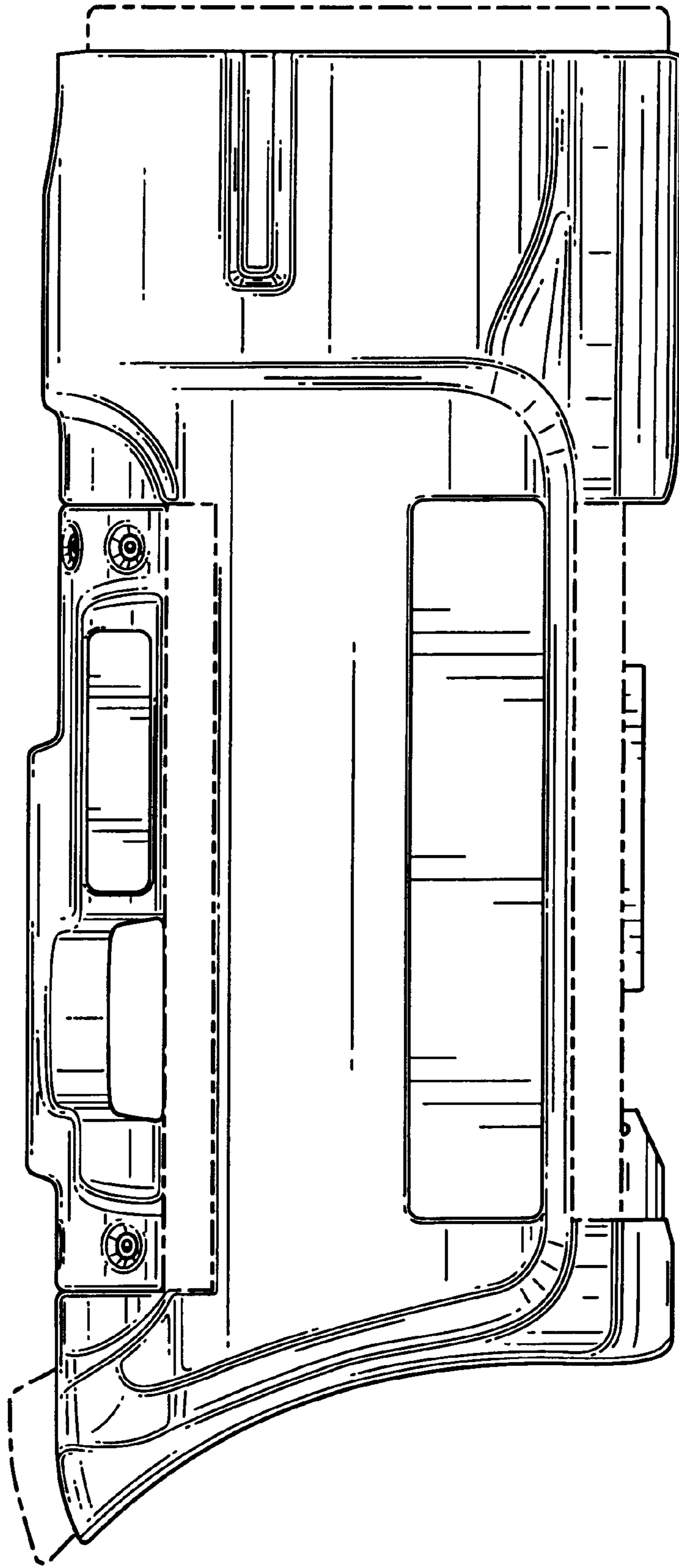


FIG. 2

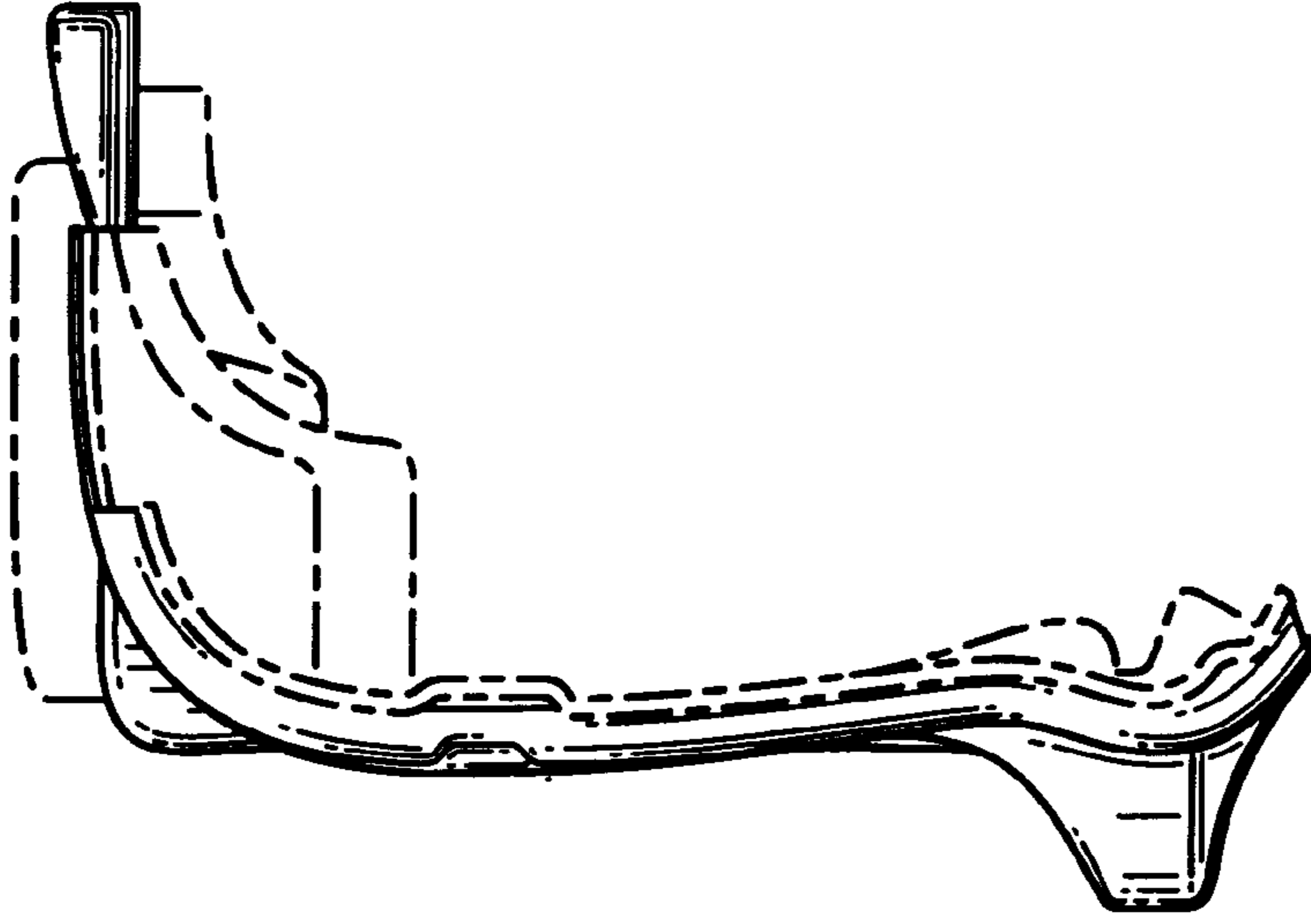


FIG. 4

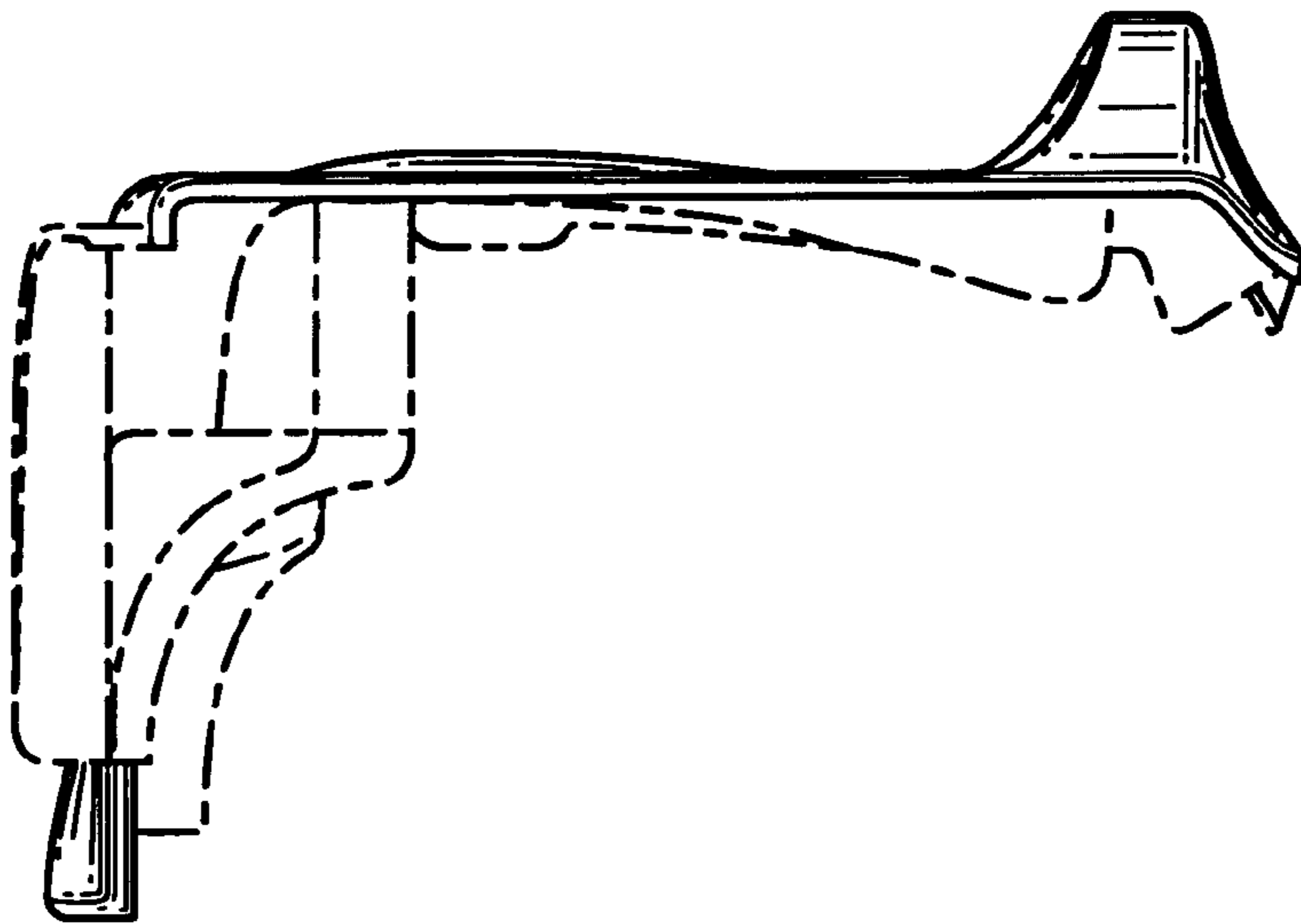


FIG. 3

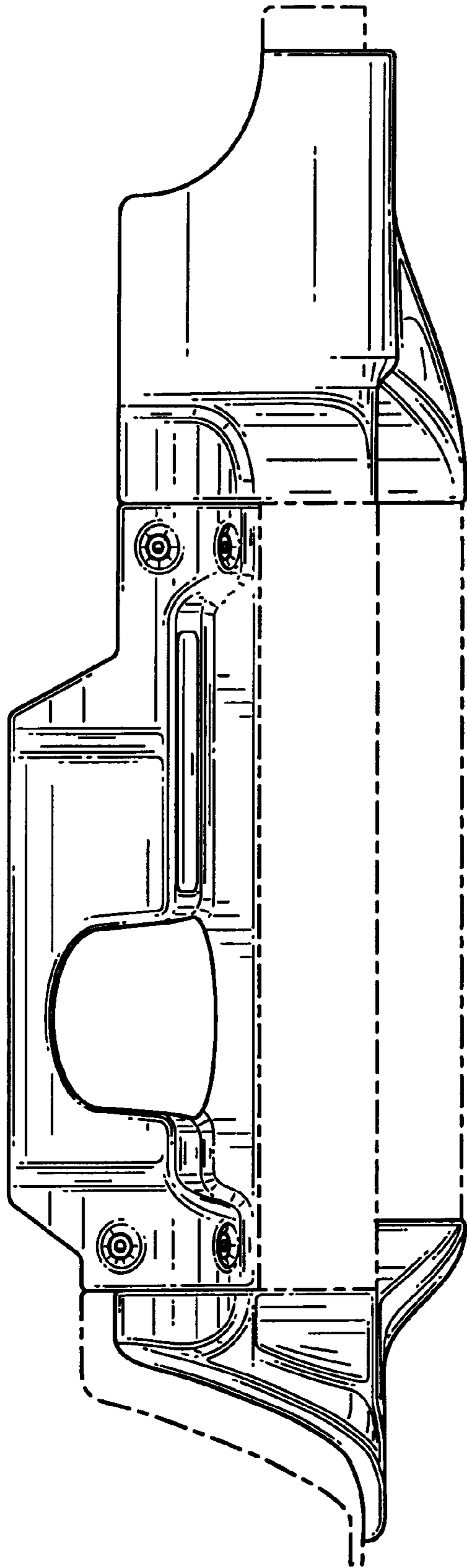


FIG. 5

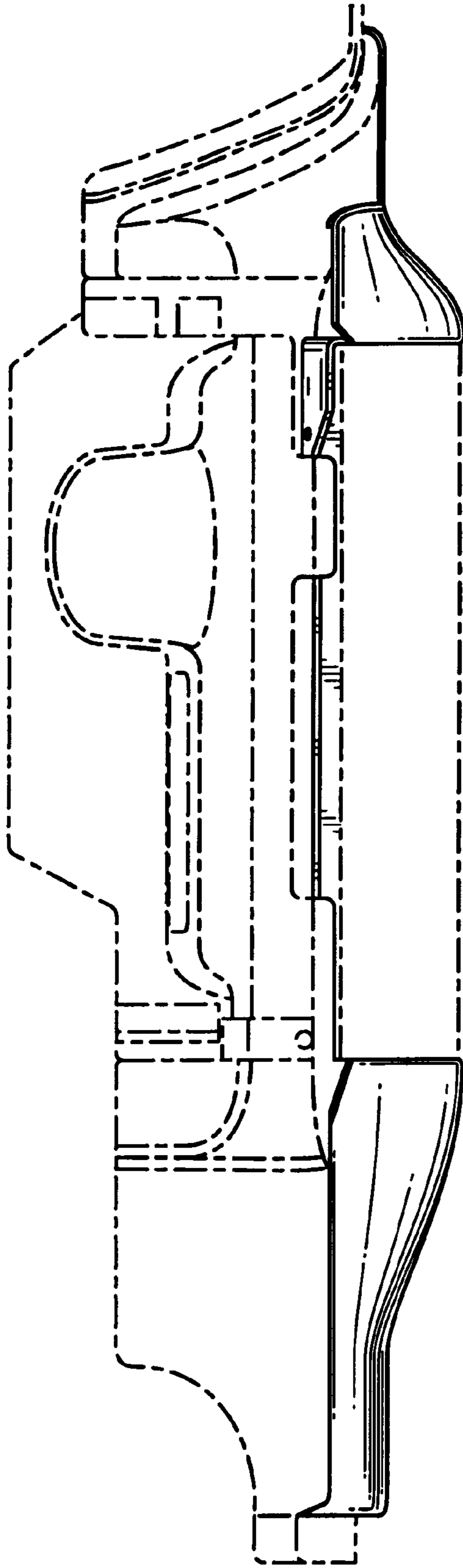


FIG. 6

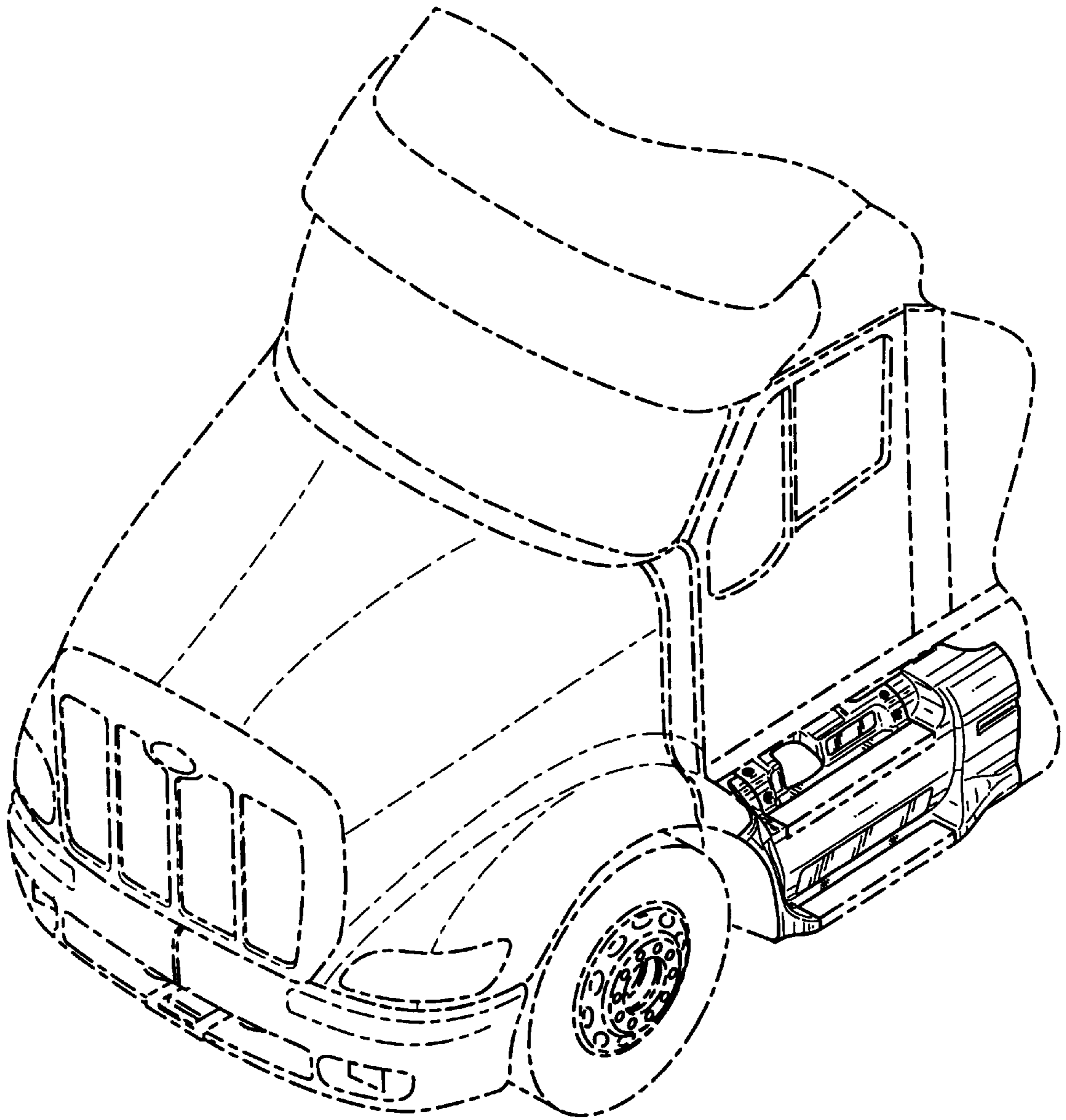


FIG. 7

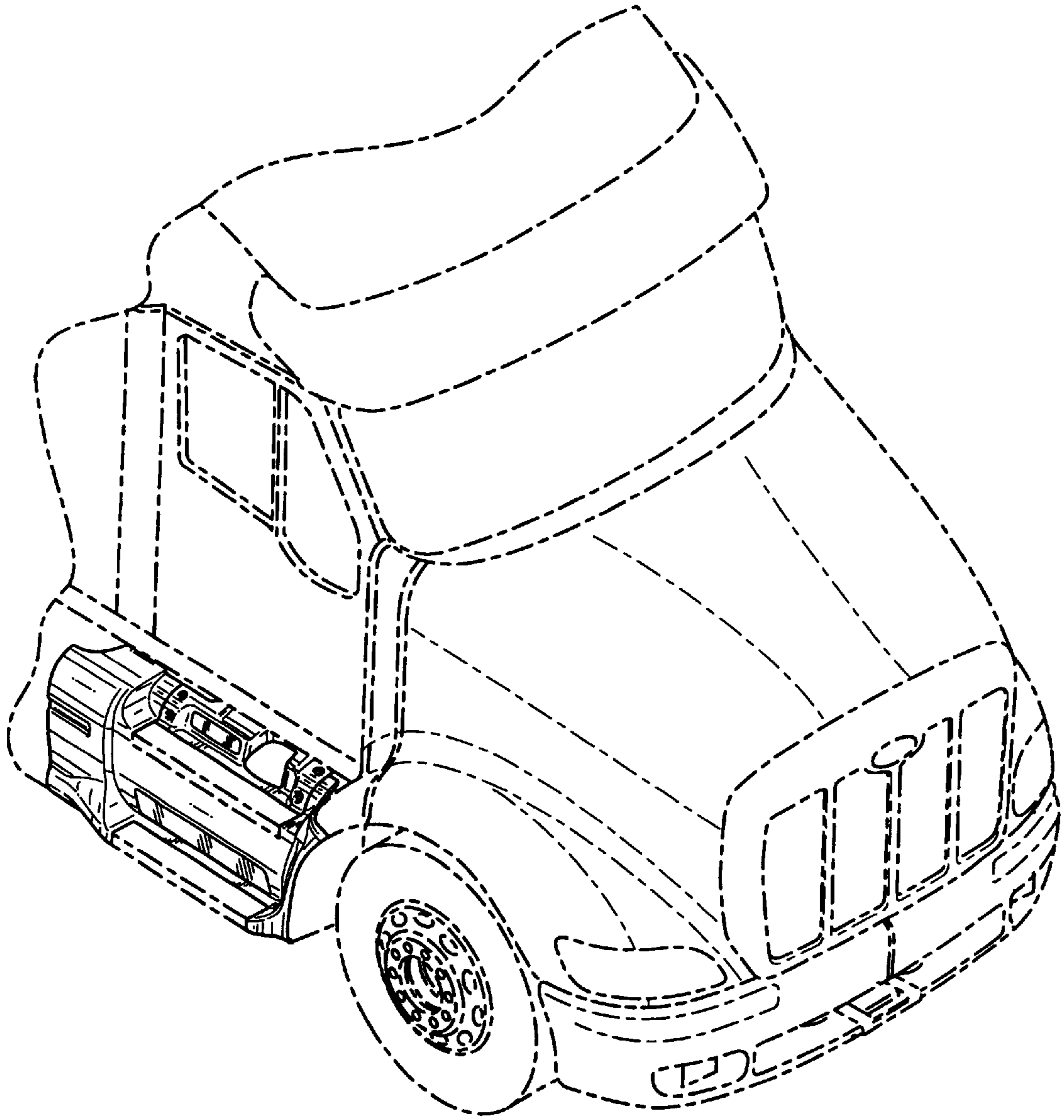


FIG. 8