



US00D434346S

United States Patent [19]
Pfeiffer

[11] **Patent Number: Des. 434,346**

[45] **Date of Patent: ** Nov. 28, 2000**

[54] **SURFACE CONFIGURATION OF A VEHICLE BODY AND/OR TOY**

[75] Inventor: **Peter Pfeiffer**, Boeblingen, Germany

[73] Assignee: **DaimlerChrysler AG**, Stuttgart, Germany

[**] Term: **14 Years**

[21] Appl. No.: **29/115,375**

[22] Filed: **Dec. 14, 1999**

[30] **Foreign Application Priority Data**

Jun. 14, 1999 [GB] United Kingdom 2084136
Jun. 14, 1999 [GB] United Kingdom 2084137

[51] **LOC (7) Cl.** **12-08**

[52] **U.S. Cl.** **D12/92; D12/86**

[58] **Field of Search** **D12/86, 90-92; 296/185**

[56] **References Cited**

U.S. PATENT DOCUMENTS

D. 374,198 10/1996 Axe et al. D12/92
D. 374,978 9/1996 Axe et al. D12/92
D. 396,020 7/1998 Hamblin D12/92
D. 402,921 12/1998 Hamblin D12/92
D. 419,488 1/2000 Sacco et al. D12/92

Primary Examiner—Melody N. Brown

Attorney, Agent, or Firm—Evenson, McKeown, Edwards & Lenahan, P.L.L.C.

[57] **CLAIM**

The ornamental design for a surface configuration of a vehicle body and/or toy, as shown and described.

DESCRIPTION

FIG. 1 is a front view of a first embodiment of a surface configuration of a vehicle body and/or toy according to our novel design;

FIG. 2 is a front, left perspective view of the first embodiment of the surface configuration of a vehicle body and/or toy according to our novel design;

FIG. 3 is a right, front perspective view of the first embodiment of the surface configuration of a vehicle body and/or toy according to our novel design;

FIG. 4 is a left side view of the first embodiment of the surface configuration of a vehicle body and/or toy according to our novel design;

FIG. 5 is a right side view of the first embodiment of the surface configuration of a vehicle body and/or toy according to our novel design;

FIG. 6 is a rear view of the first embodiment of the surface configuration of a vehicle body and/or toy according to our novel design;

FIG. 7 is a left, rear perspective view of the first embodiment of the surface configuration of a vehicle body and/or toy according to our novel design;

FIG. 8 is a right, rear perspective view of the first embodiment of the surface configuration of a vehicle body and/or toy according to our novel design;

FIG. 9 is a top view of the first embodiment of the surface configuration of a vehicle body and/or toy according to our novel design;

FIG. 10 is a front view of a second embodiment of the surface configuration of a vehicle body and/or toy according to our novel design;

FIG. 11 is a left, front perspective view of the second embodiment of the surface configuration of a vehicle body and/or toy according to our novel design;

FIG. 12 is a right, front perspective view of the second embodiment of the surface configuration of a vehicle body and/or toy according to our novel design;

FIG. 13 is a left side view of the second embodiment of the surface configuration of a vehicle body and/or toy according to our novel design;

FIG. 14 is a right side view of the second embodiment of the surface configuration of a vehicle body and/or toy according to our novel design;

FIG. 15 is a rear view of the second embodiment of the surface configuration of a vehicle body and/or toy according to our novel design;

FIG. 16 is a left, rear perspective view of the second embodiment of the surface configuration of a vehicle body and/or toy according to our novel design;

FIG. 17 is a right, rear perspective view of the second embodiment of the surface configuration of a vehicle body and/or toy according to our novel design; and,

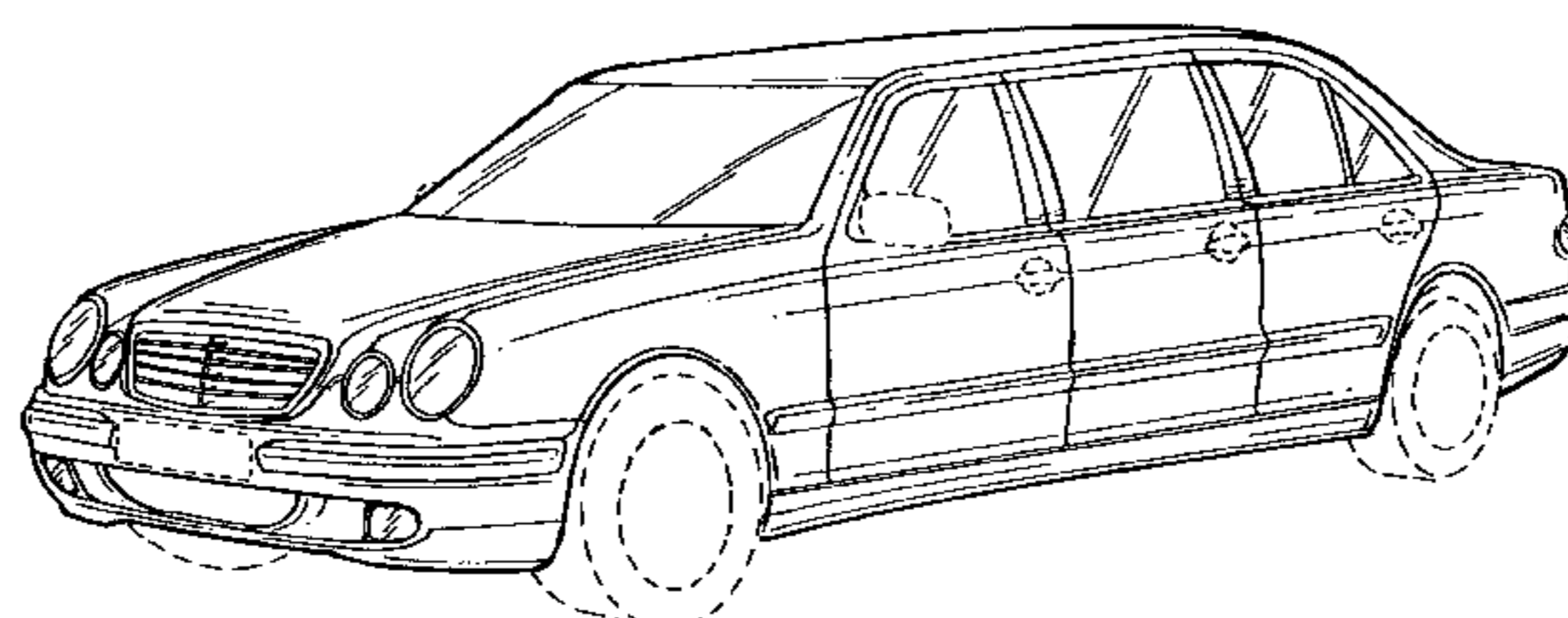
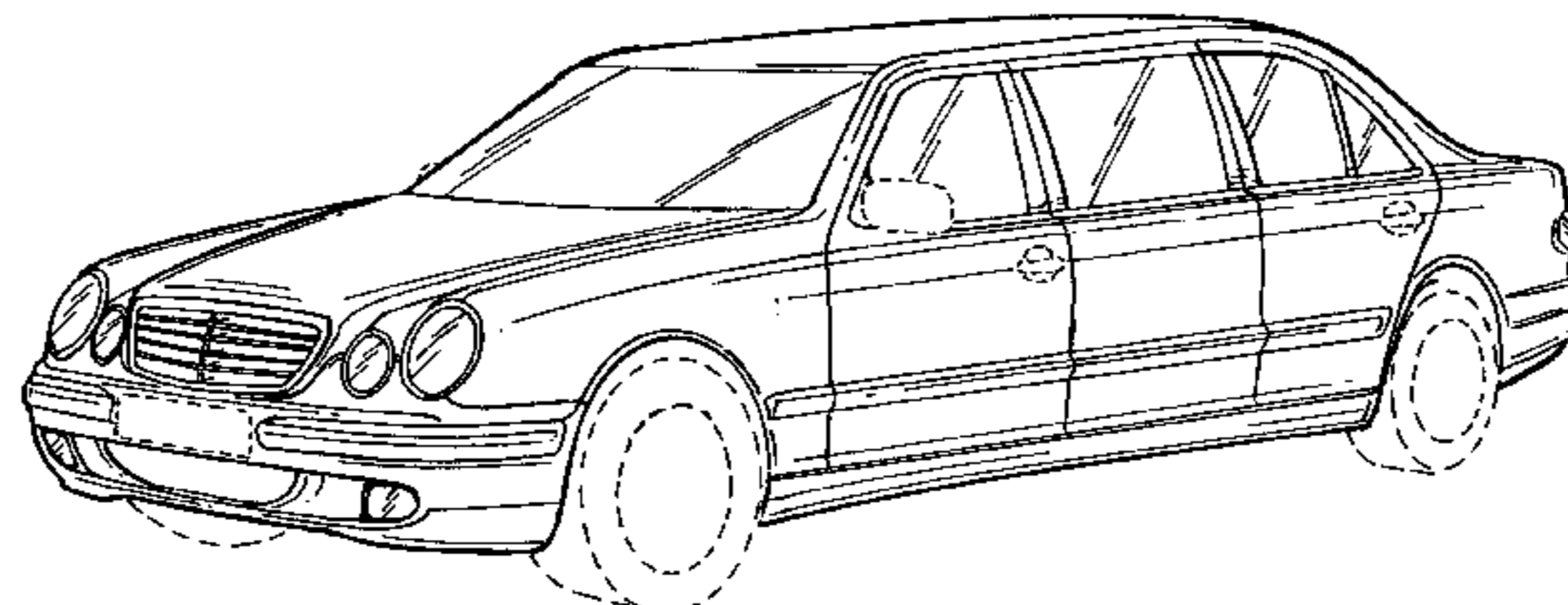


FIG. 18 is a top view of the second embodiment of the surface configuration of a vehicle body and/or toy according to our novel design.

The broken lines included depict environment and are not part of the claimed design.

1 Claim, 12 Drawing Sheets

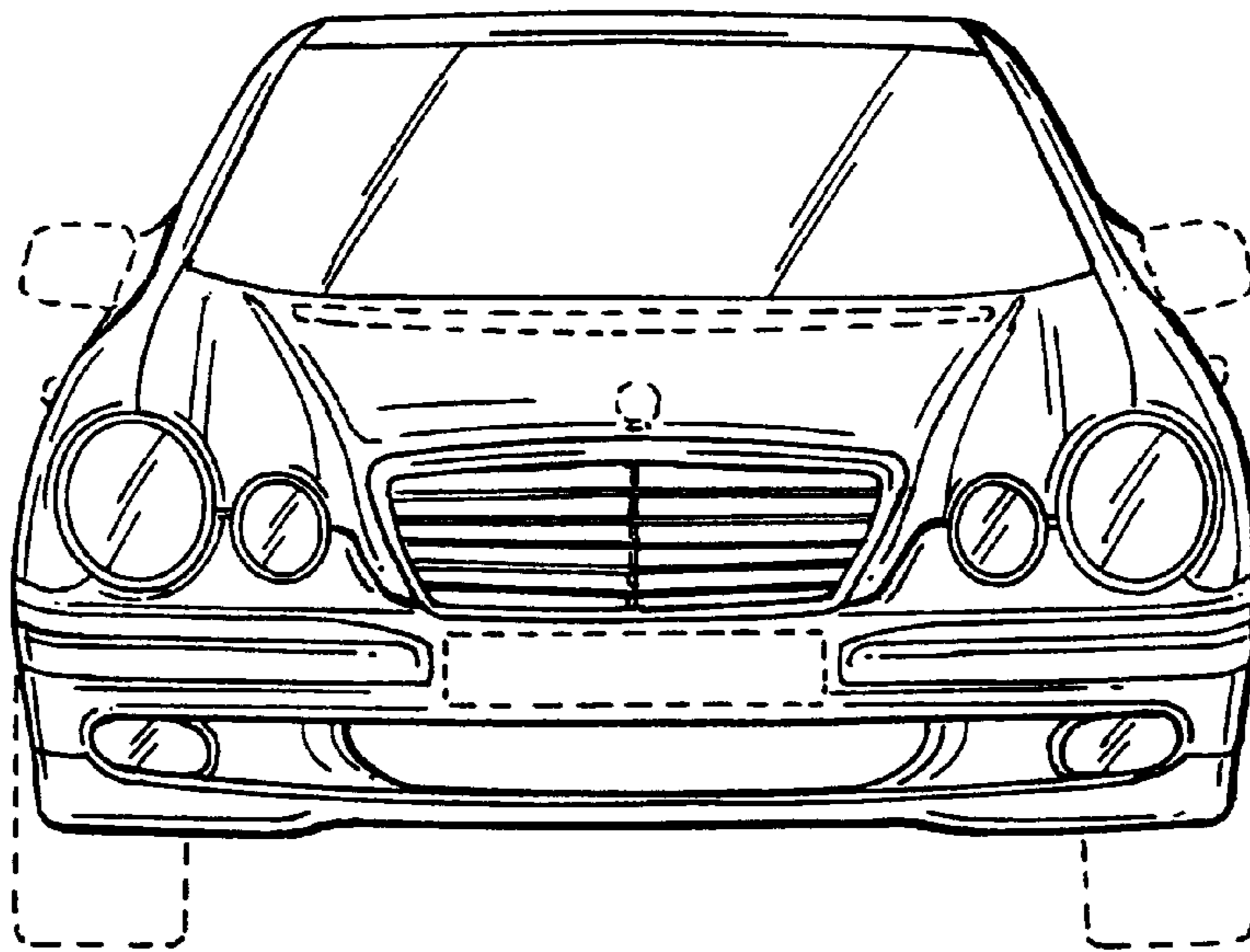


FIG. 1

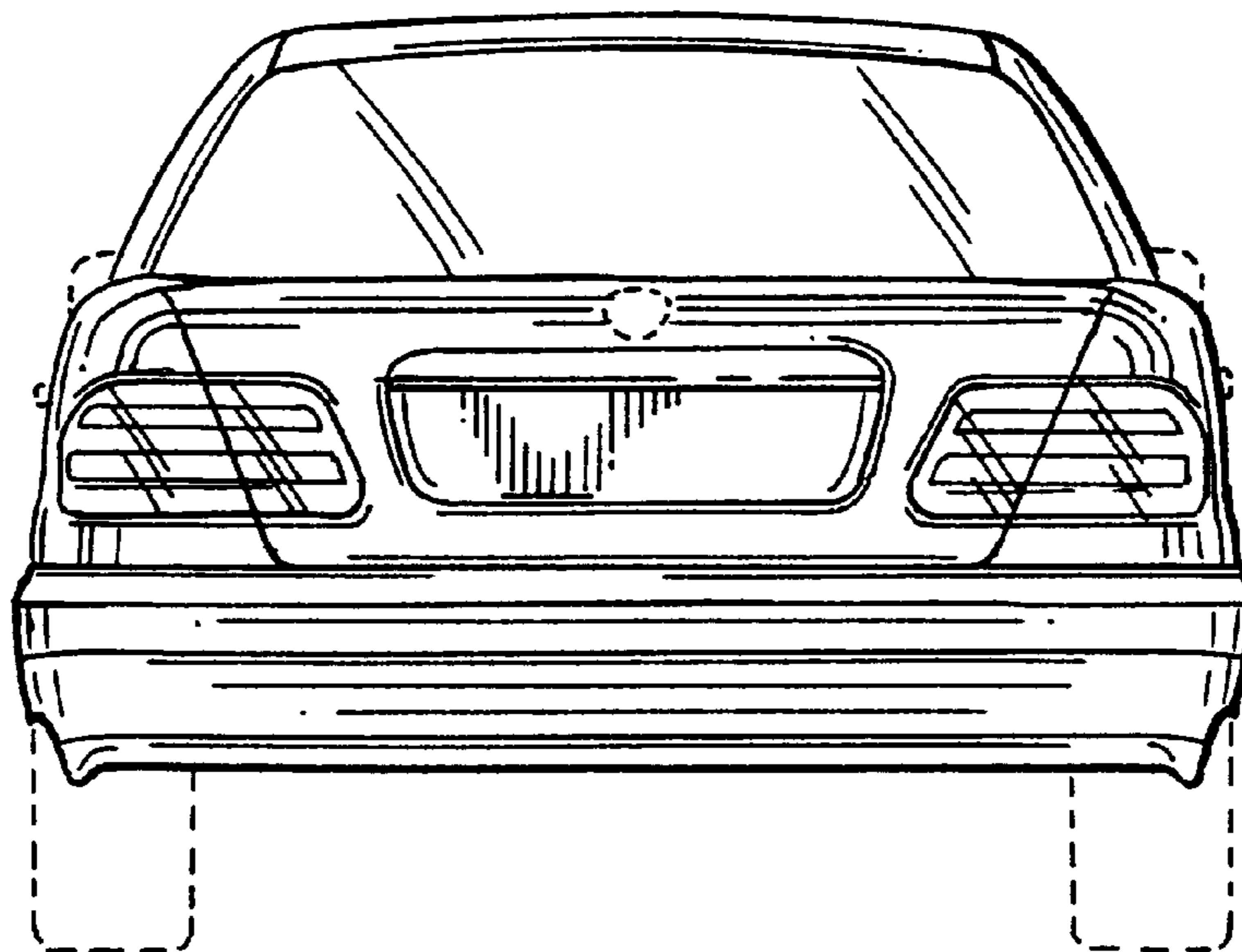
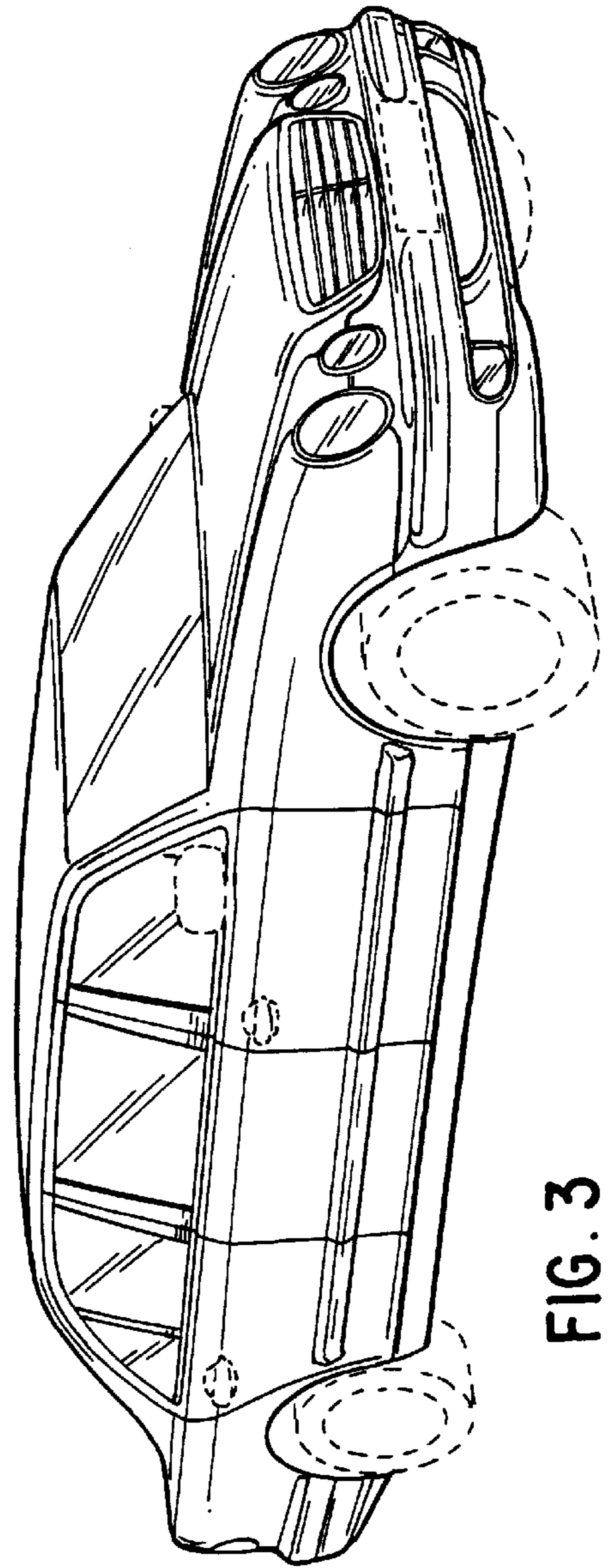
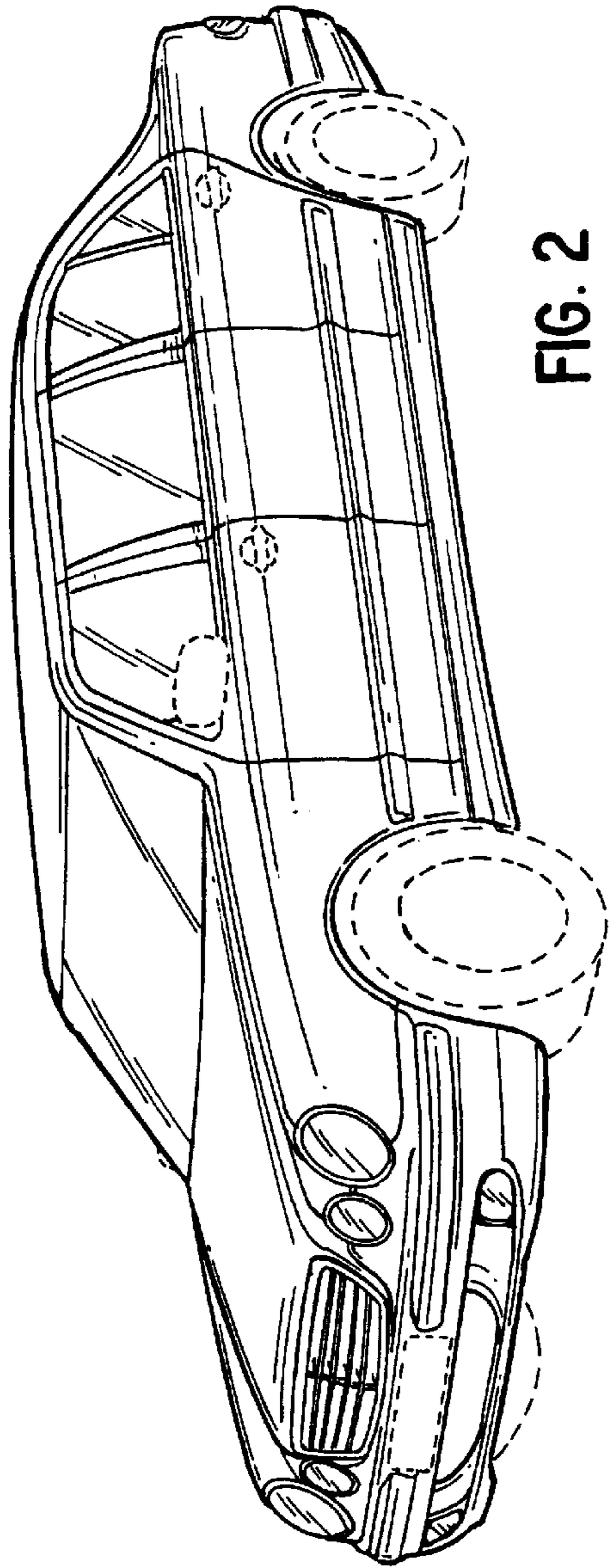


FIG. 6



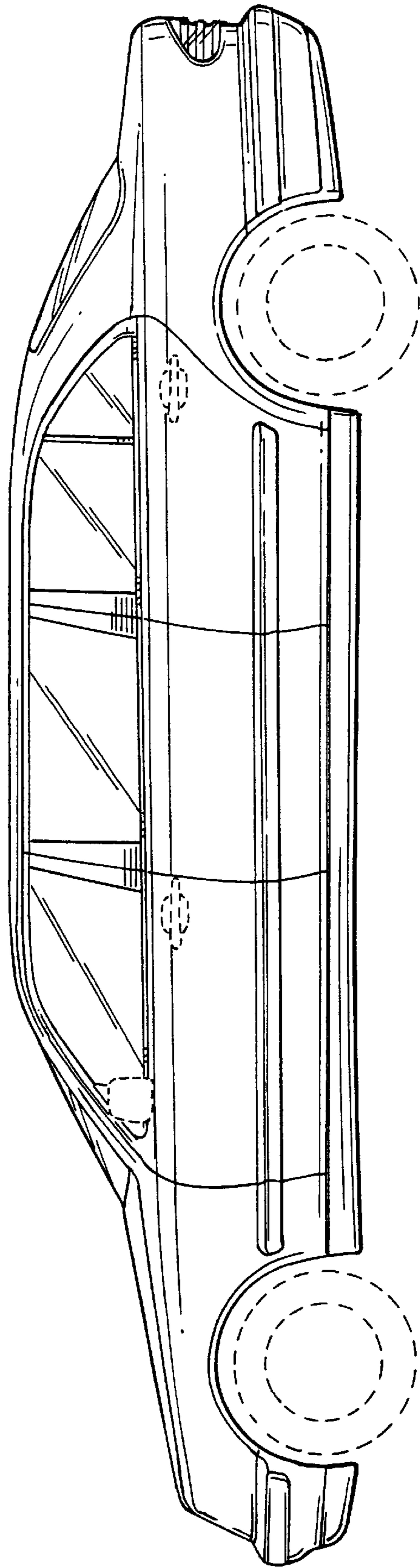


FIG. 4

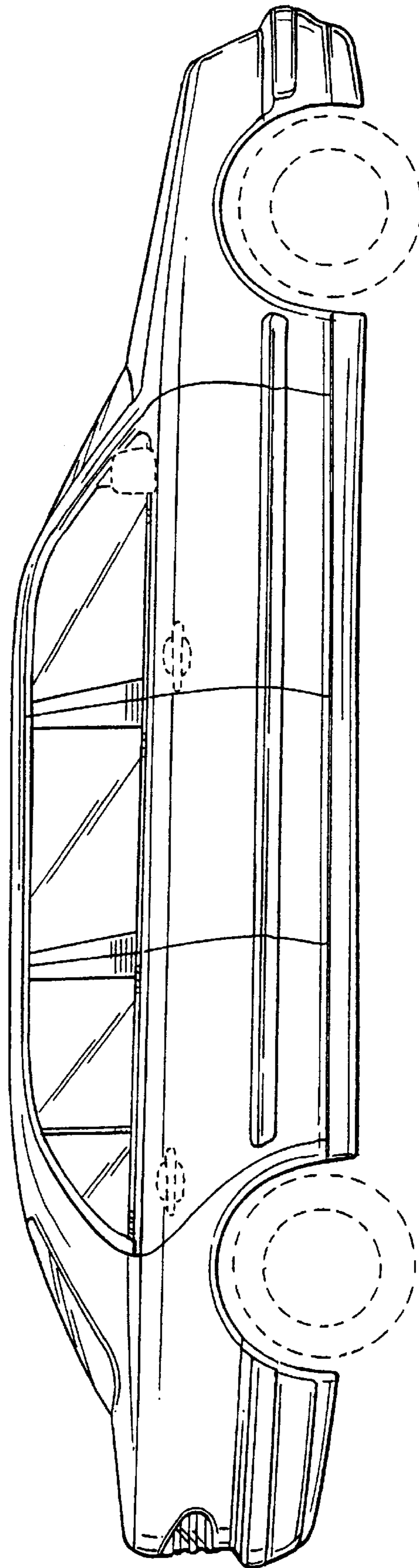


FIG. 5

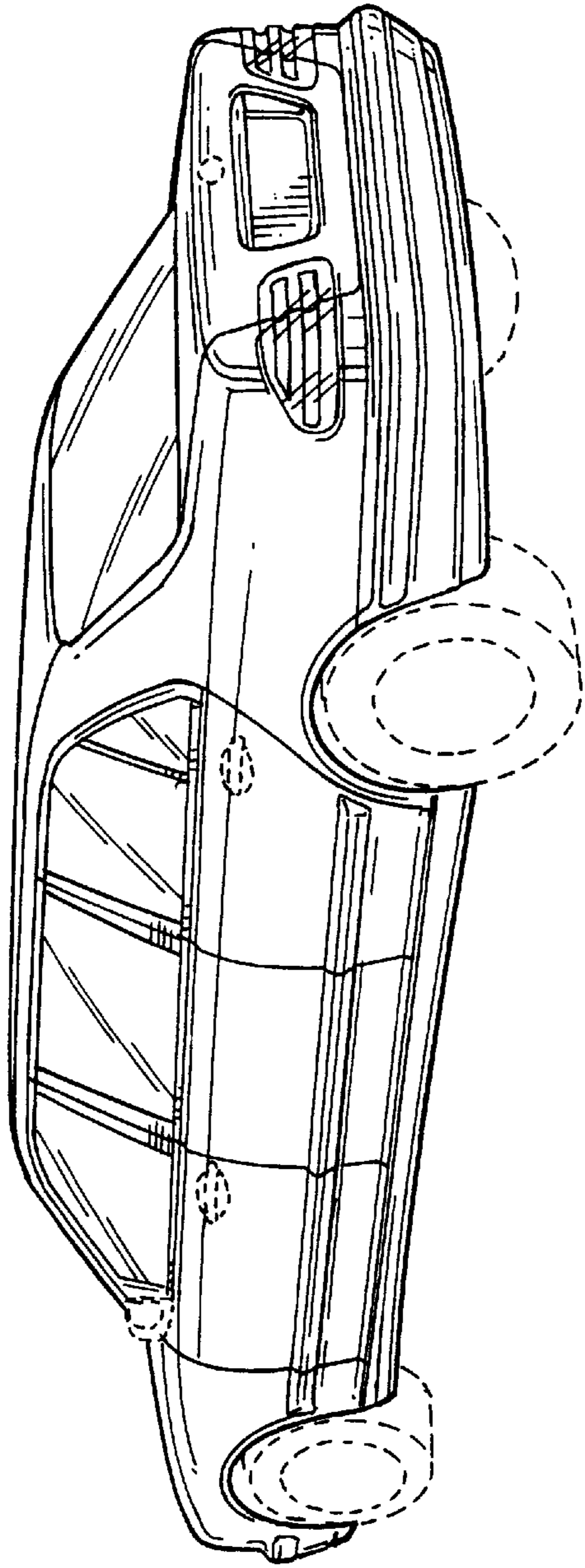


FIG. 7

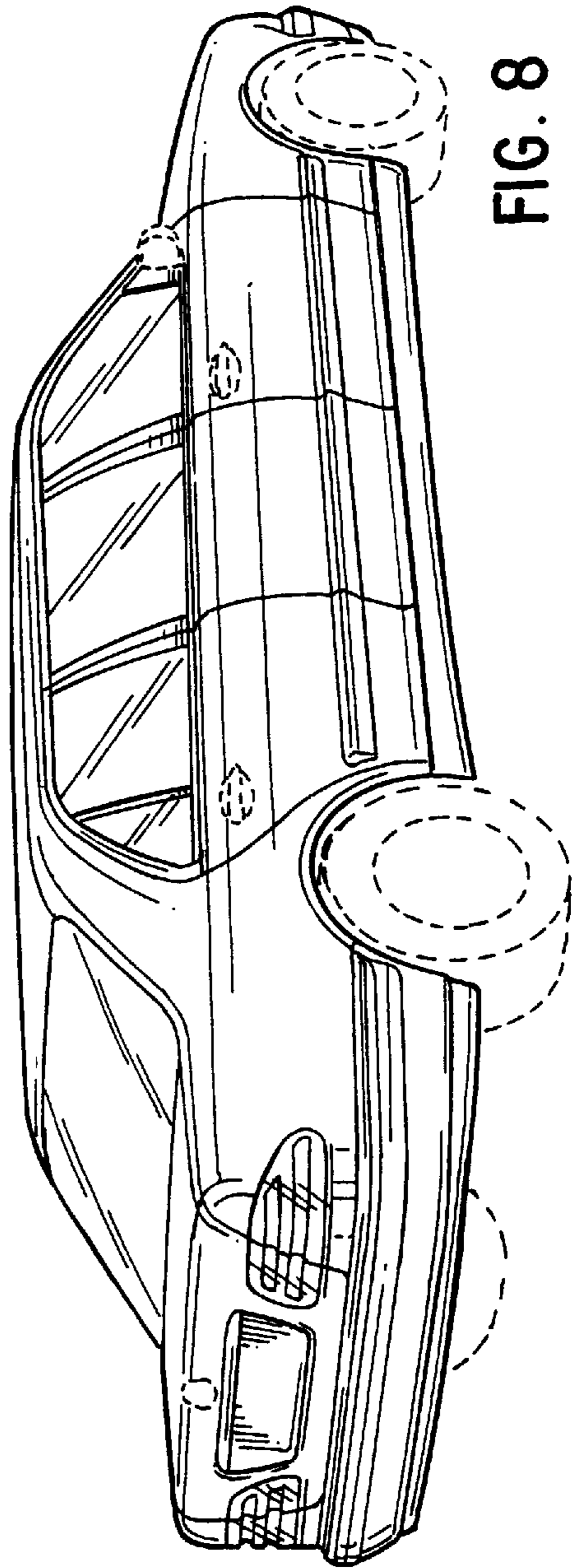


FIG. 8

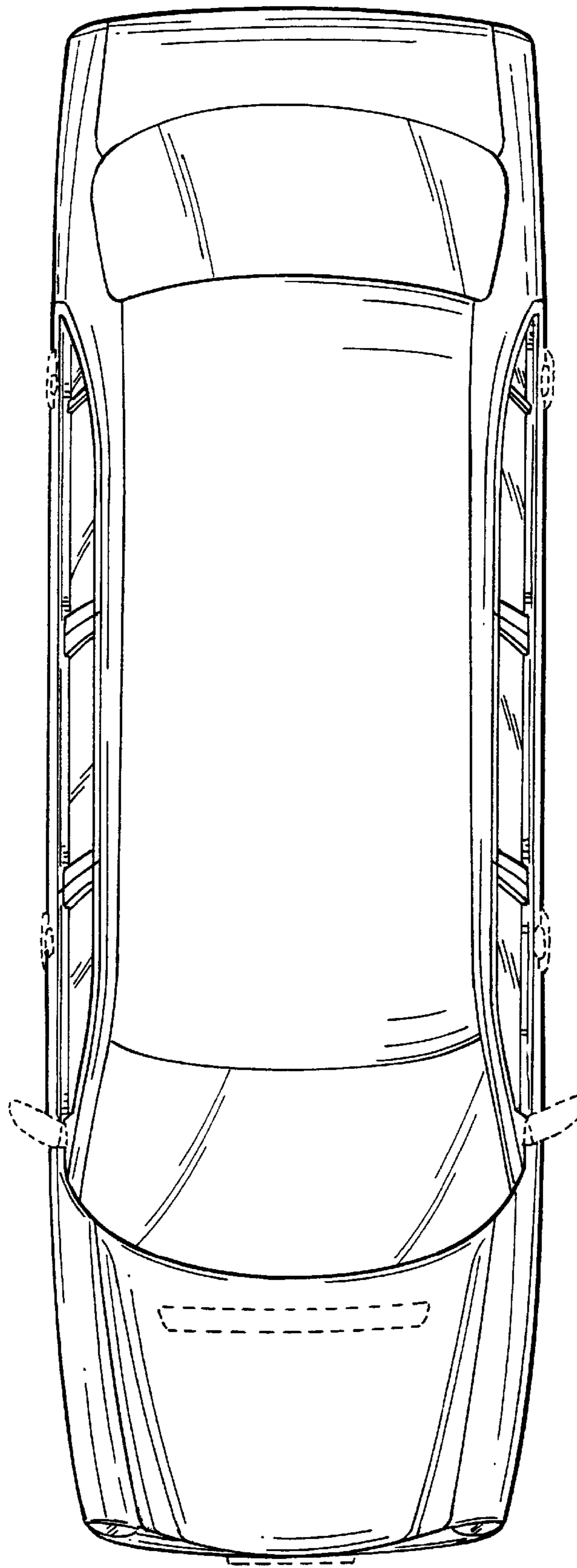


FIG. 9

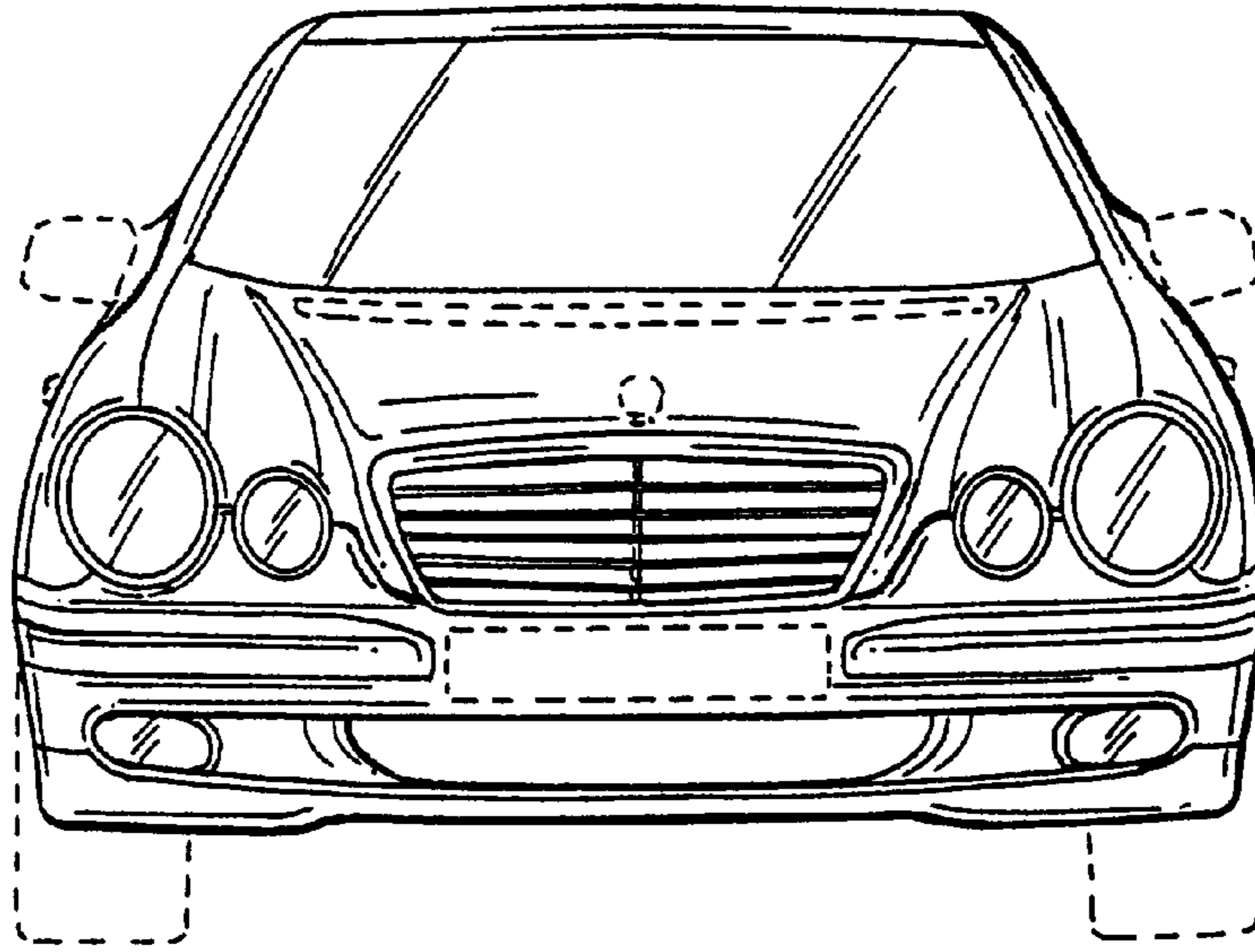


FIG. 10

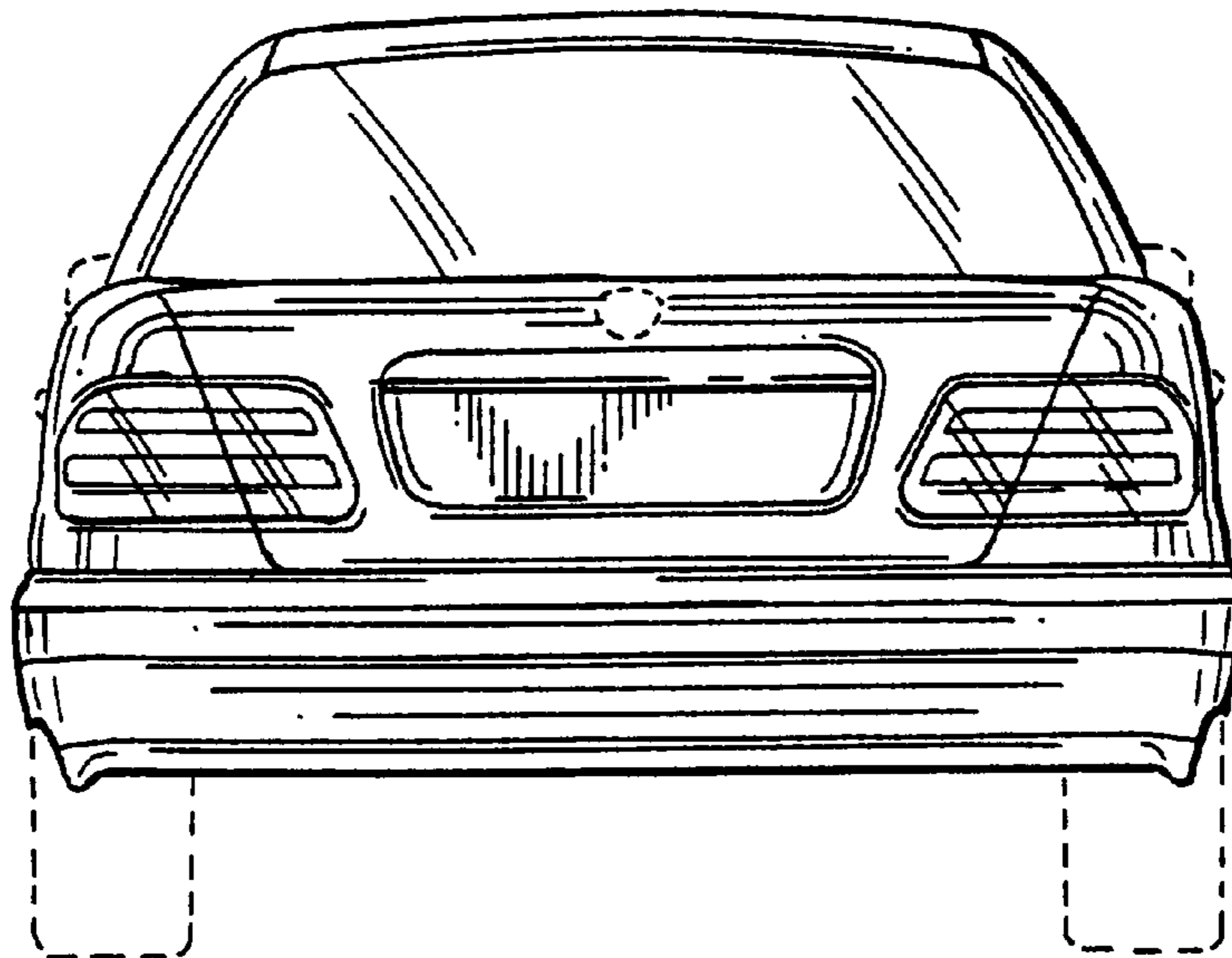
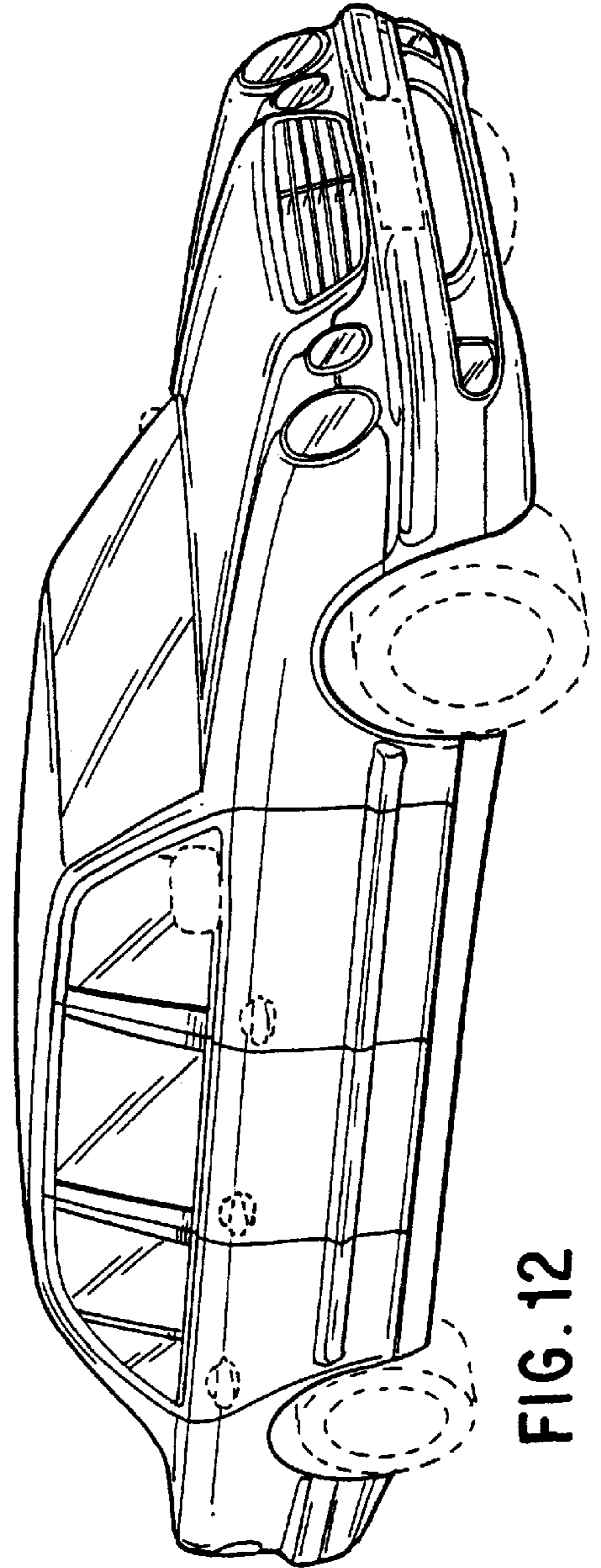
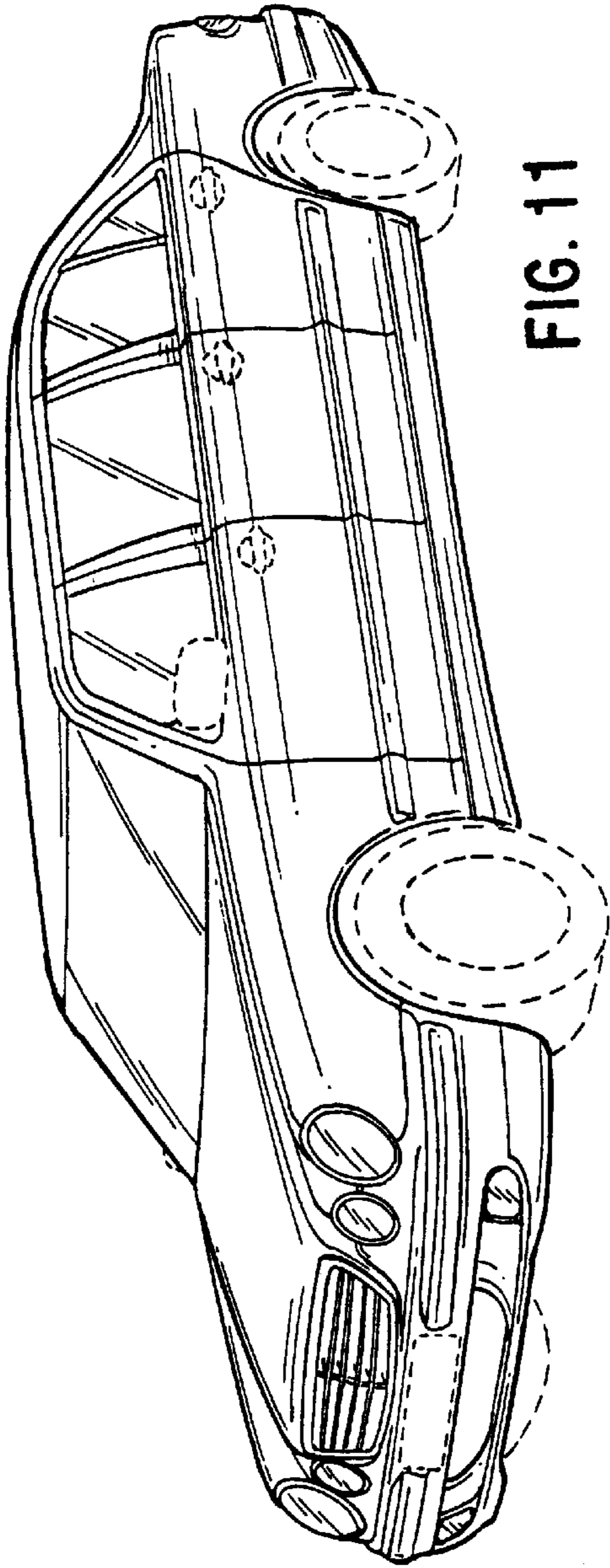


FIG. 15



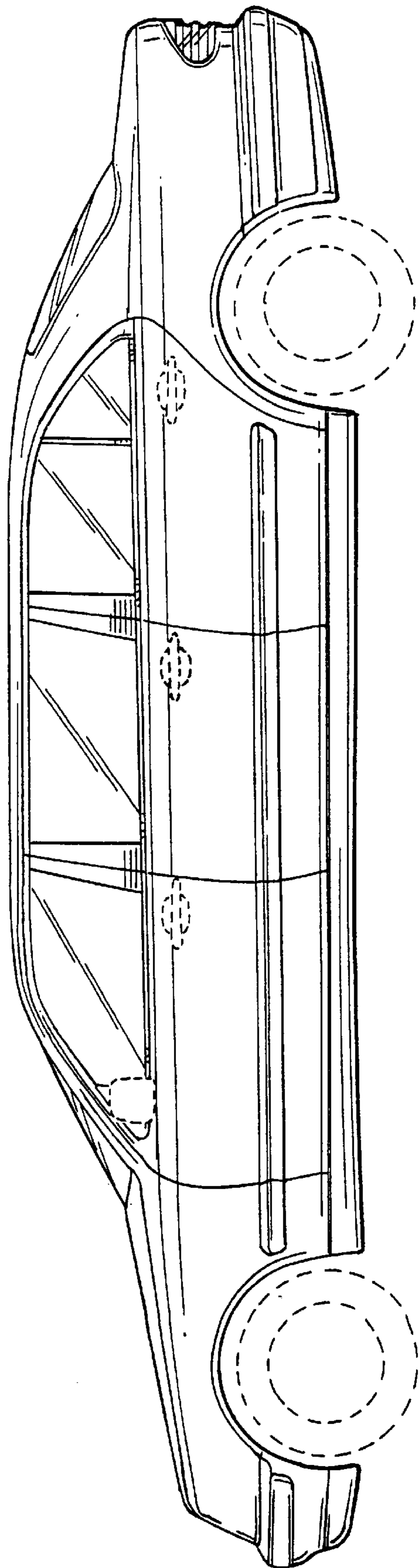


FIG. 13

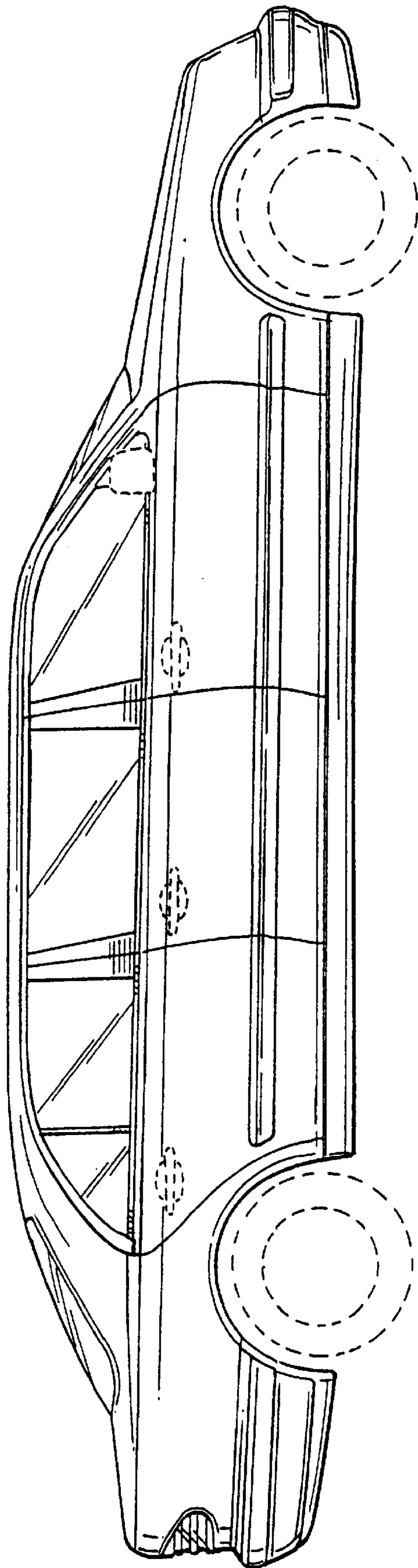


FIG. 14

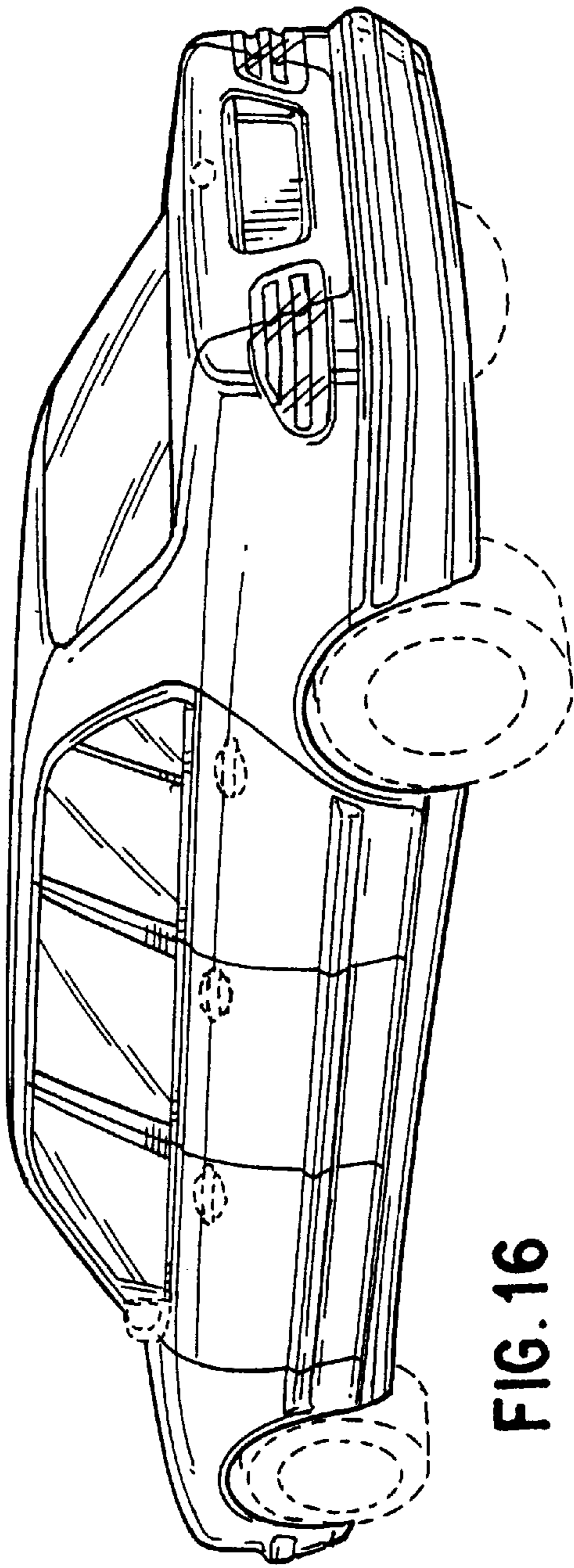


FIG. 16

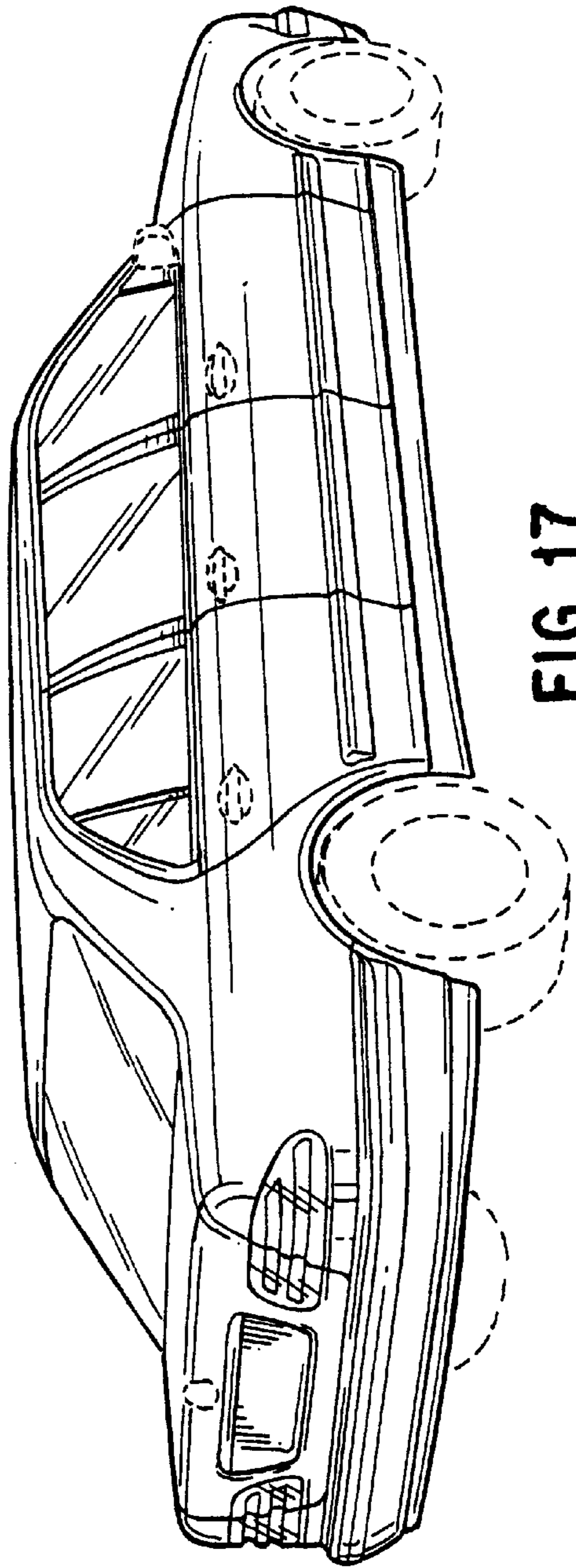


FIG. 17

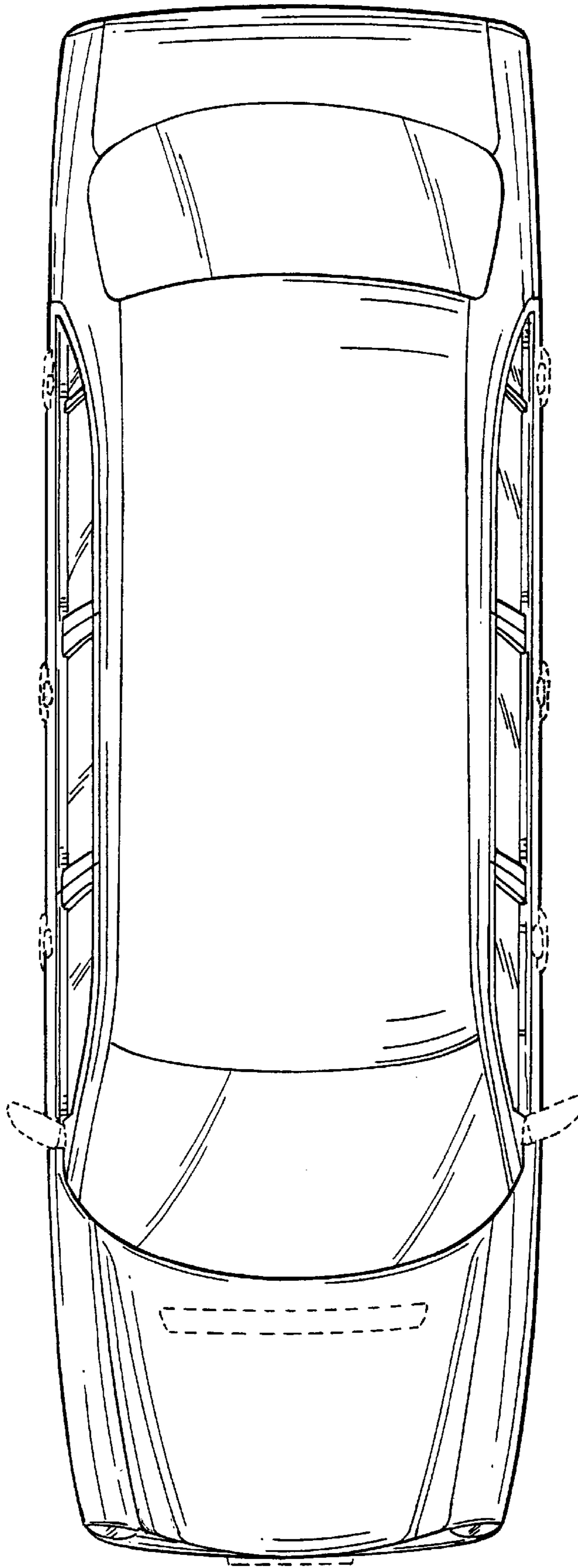


FIG. 18