



US00D434338S

United States Patent [19]
Odom et al.

[11] **Patent Number: Des. 434,338**
[45] **Date of Patent: ** Nov. 28, 2000**

- [54] **REMOTE SENSOR TEMPERATURE CONTROLLER**
- [75] Inventors: **James A. Odom**, Apple Valley;
Thomas Caesar Tinucci, Eden Prairie;
James Edward Erickson, Eagan, all of
Minn.
- [73] Assignee: **Honeywell International Inc.**,
Morristown, N.J.
- [**] Term: **14 Years**
- [21] Appl. No.: **29/099,518**
- [22] Filed: **Jan. 22, 1999**
- [51] **LOC (7) Cl.** **10-04**
- [52] **U.S. Cl.** **D10/49**
- [58] **Field of Search** D10/49, 50; 165/260,
165/270; 236/16, 1 E, 1 EA, 1 EB, 46 R,
51; 62/175; 364/557

5,461,382 10/1995 Deguchi et al. D10/49

Primary Examiner—Antoine Duval Davis
Attorney, Agent, or Firm—Robert B. Leonard

[57] **CLAIM**

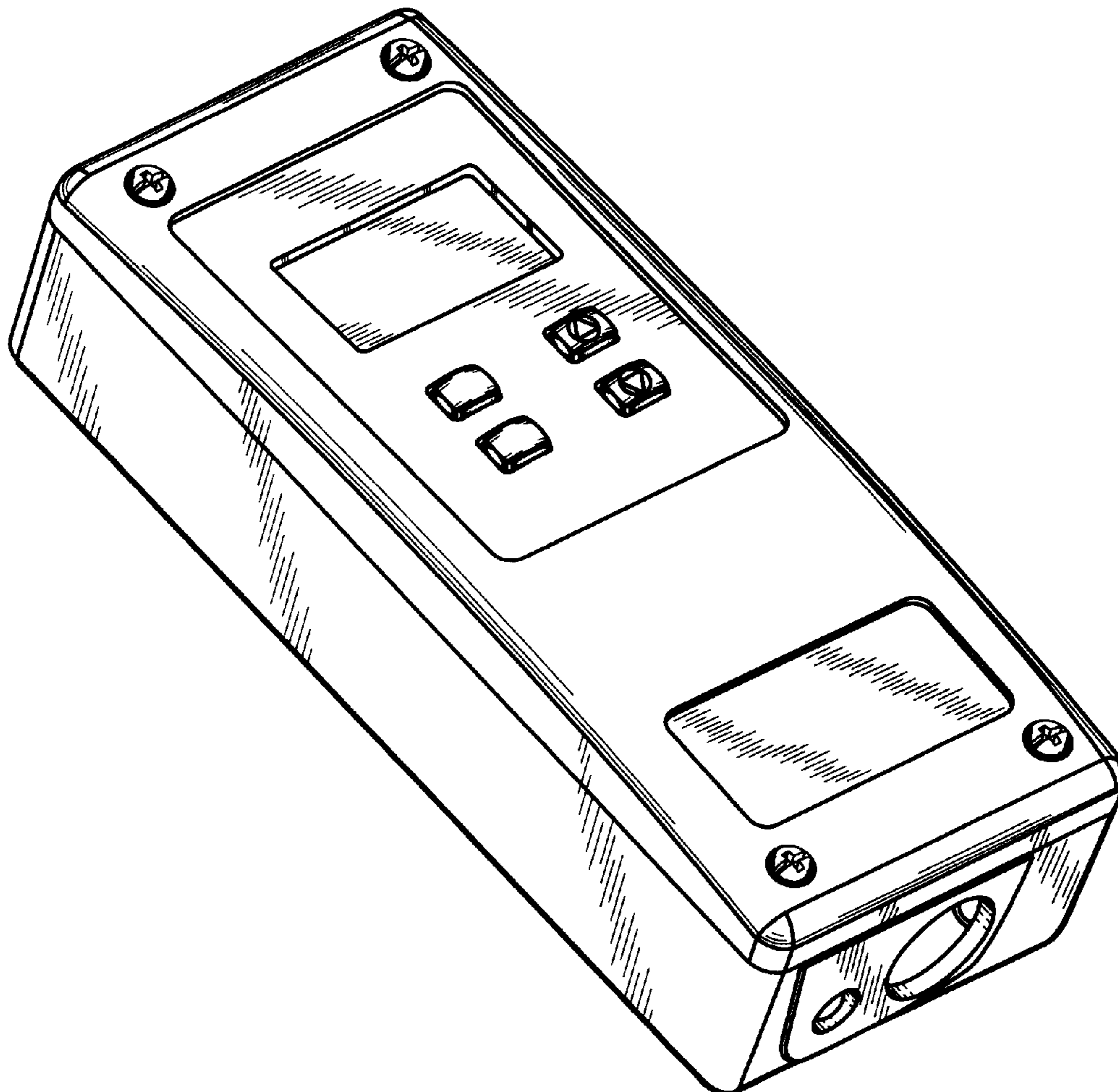
The ornamental design for a remote sensor temperature controller, as shown and described.

DESCRIPTION

FIG. 1 is a perspective view of the remote sensor temperature controller as seen from the front, bottom and left sides. FIG. 2 is a front elevational view of the remote sensor temperature controller of FIG. 1. FIG. 3 is a right side elevational view of the remote sensor temperature controller of FIG. 1. FIG. 4 is a top plan view of the remote sensor temperature controller of FIG. 1. FIG. 5 is a bottom plan view of the remote sensor temperature controller of FIG. 1; and, FIG. 6 is a rear elevation view of a remote sensor temperature controller of FIG. 1. The right and left side elevation views of the remote sensor temperature controller are mirror images of one another.

- [56] **References Cited**
- U.S. PATENT DOCUMENTS**
- 5,454,510 10/1995 Manson et al. D10/49

1 Claim, 3 Drawing Sheets



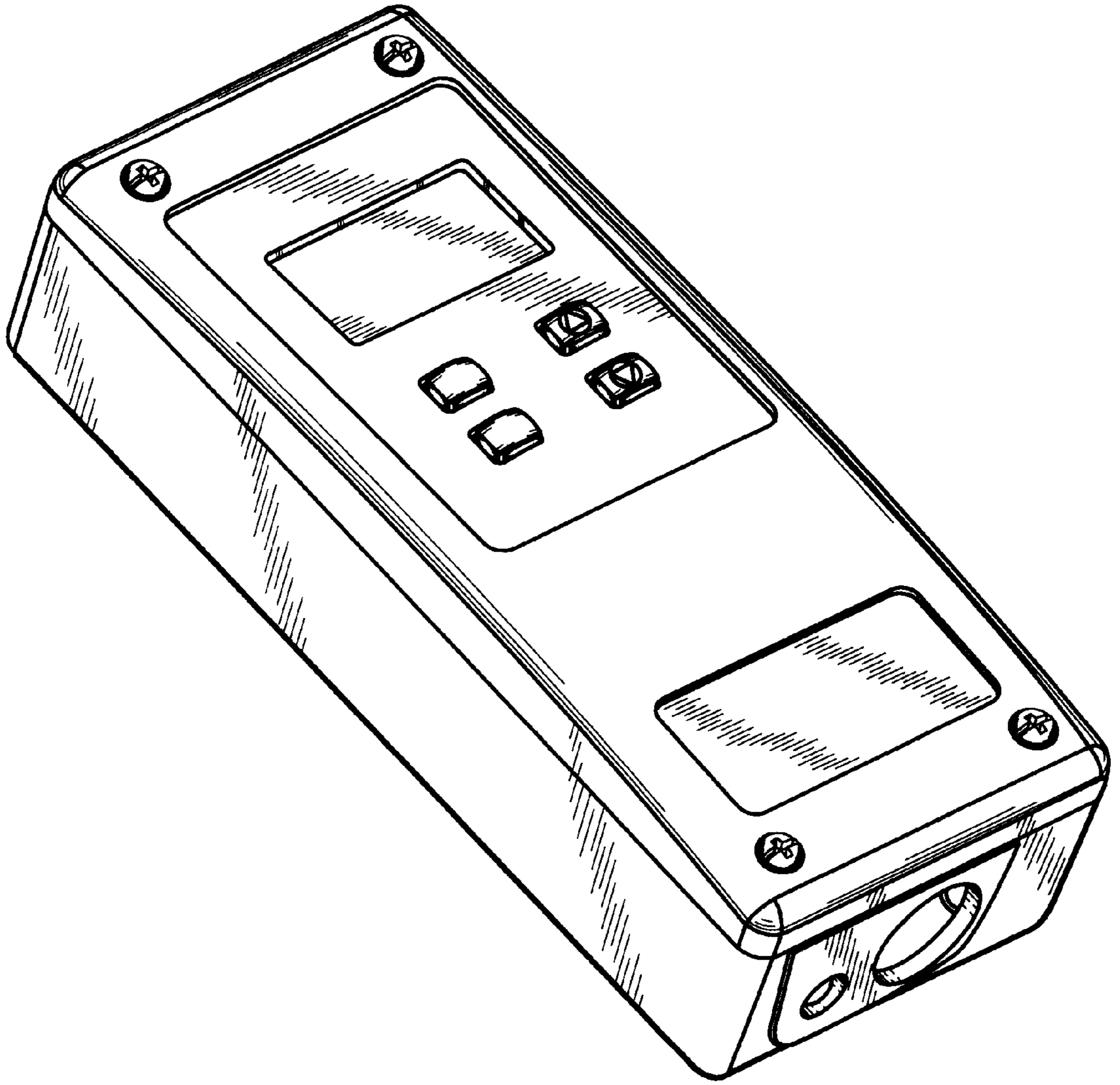


FIG. 1

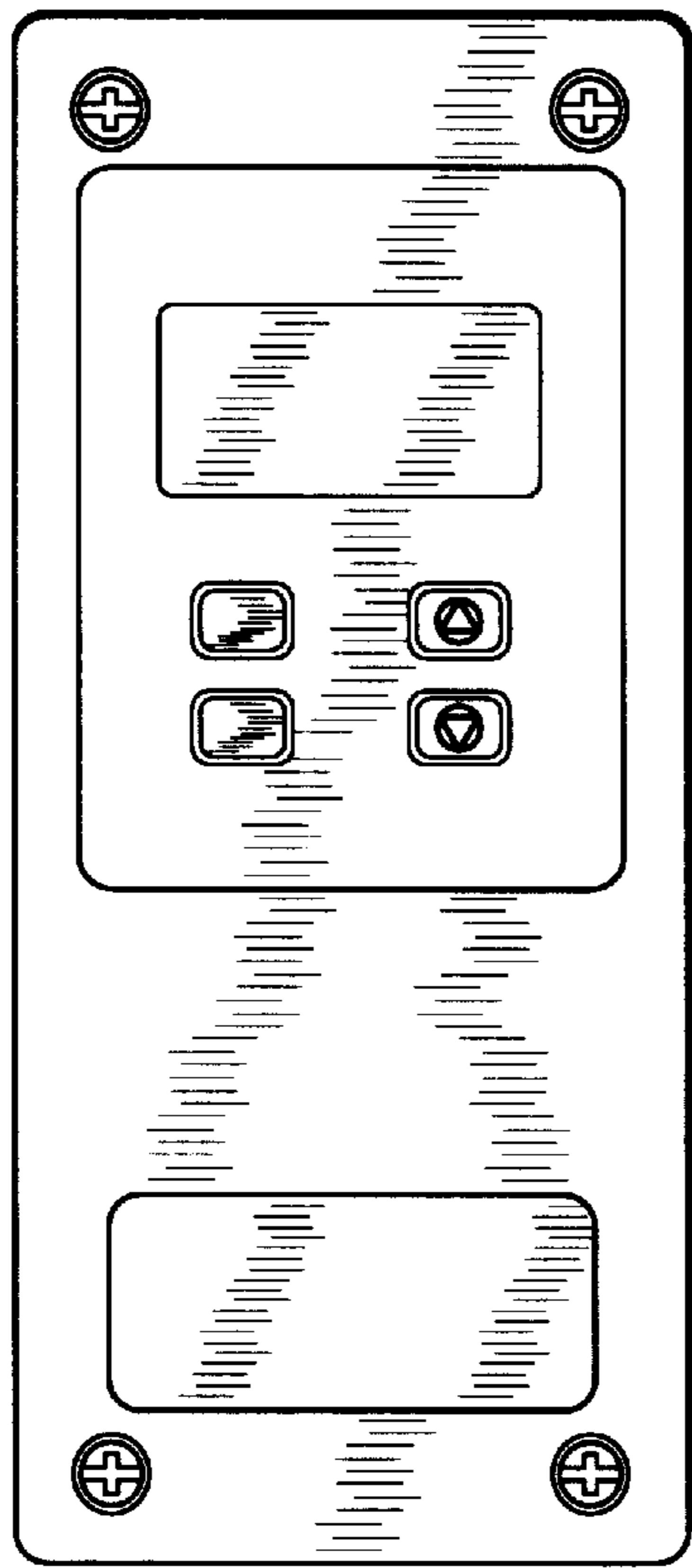


FIG. 2

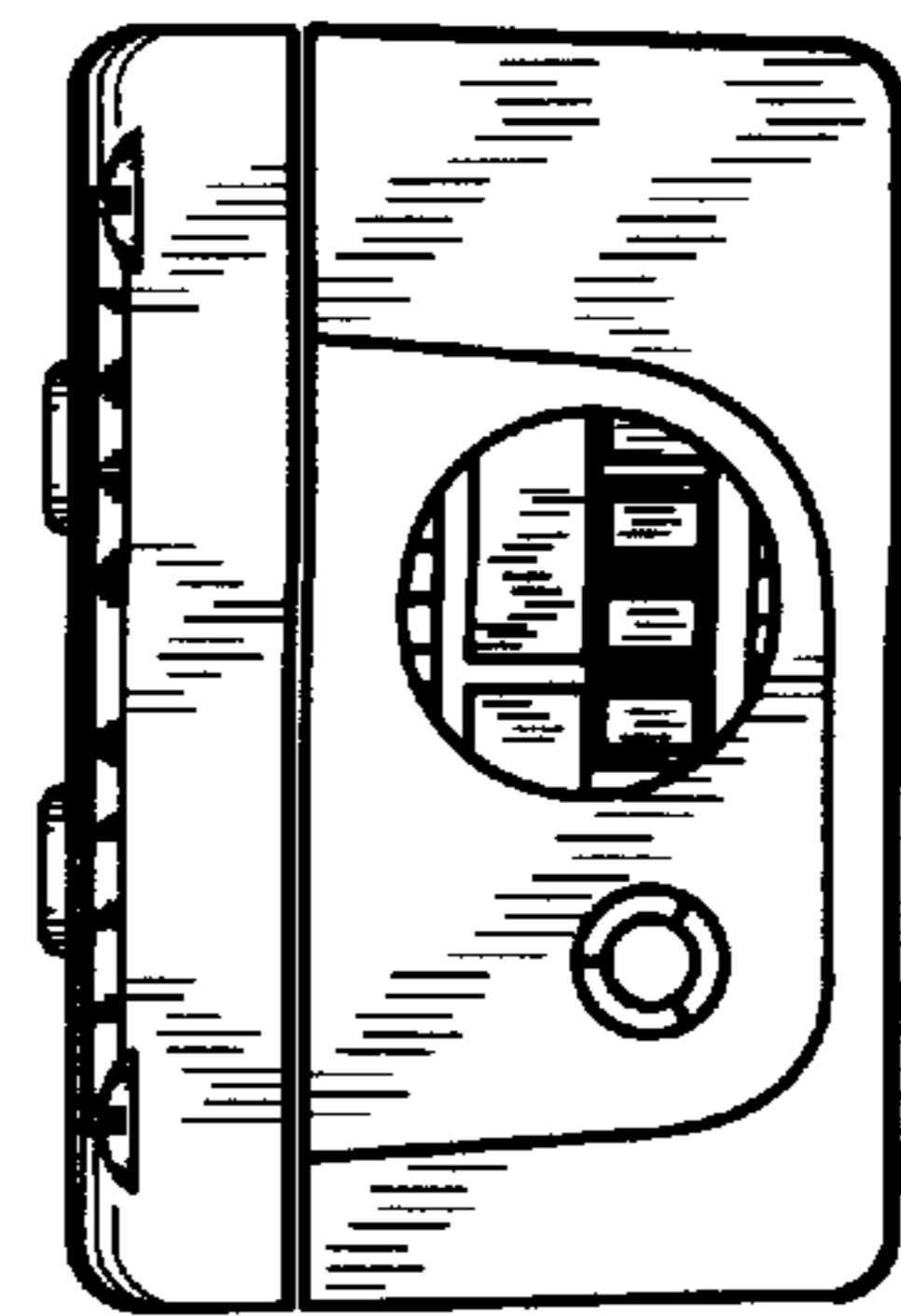


FIG. 4

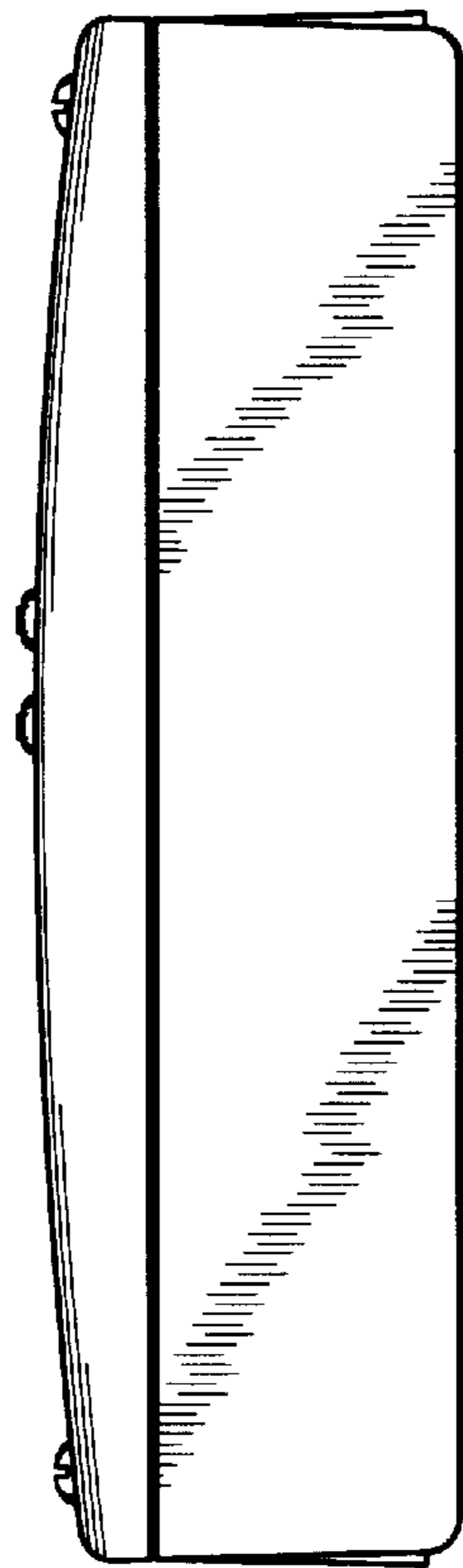


FIG. 3

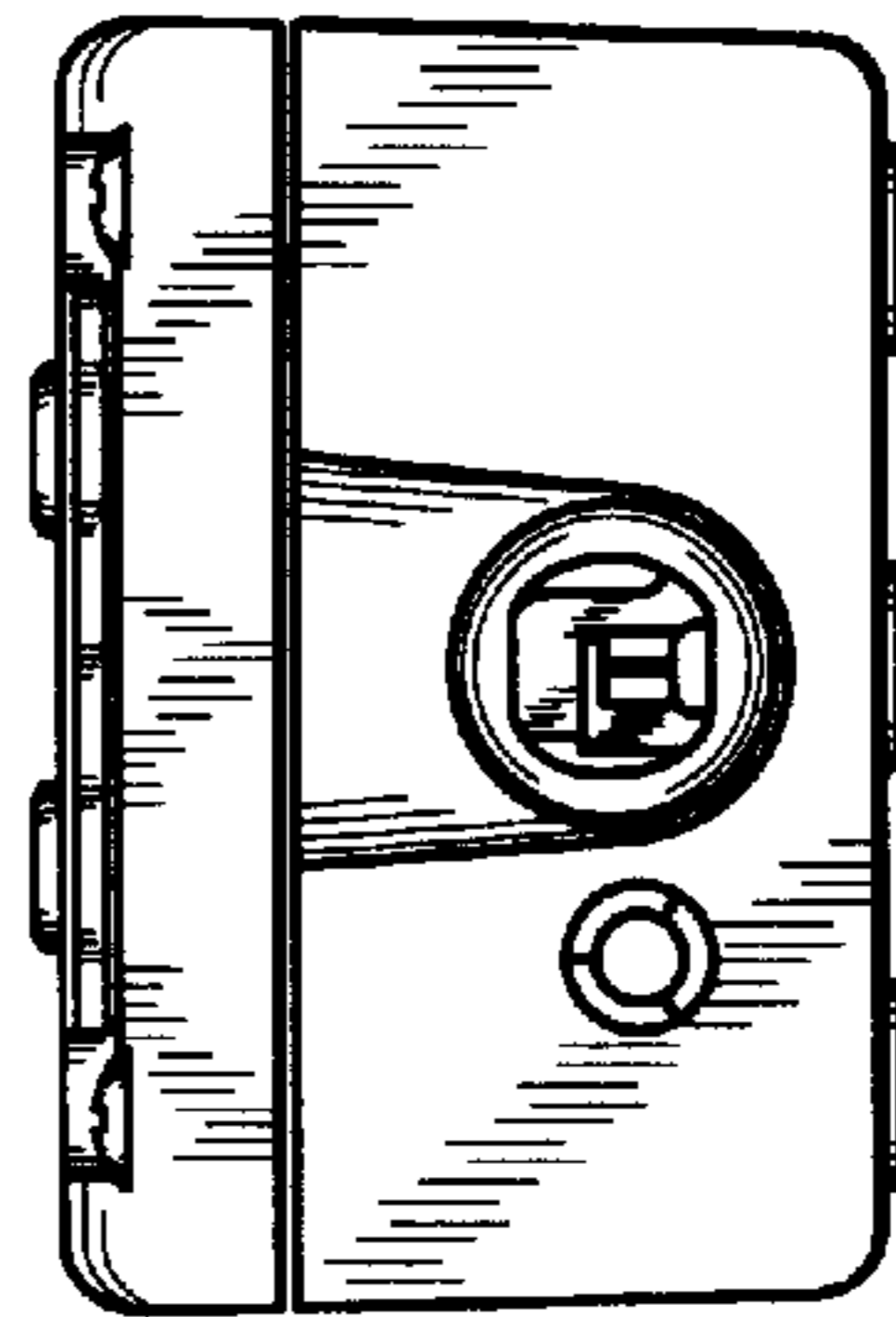


FIG. 5

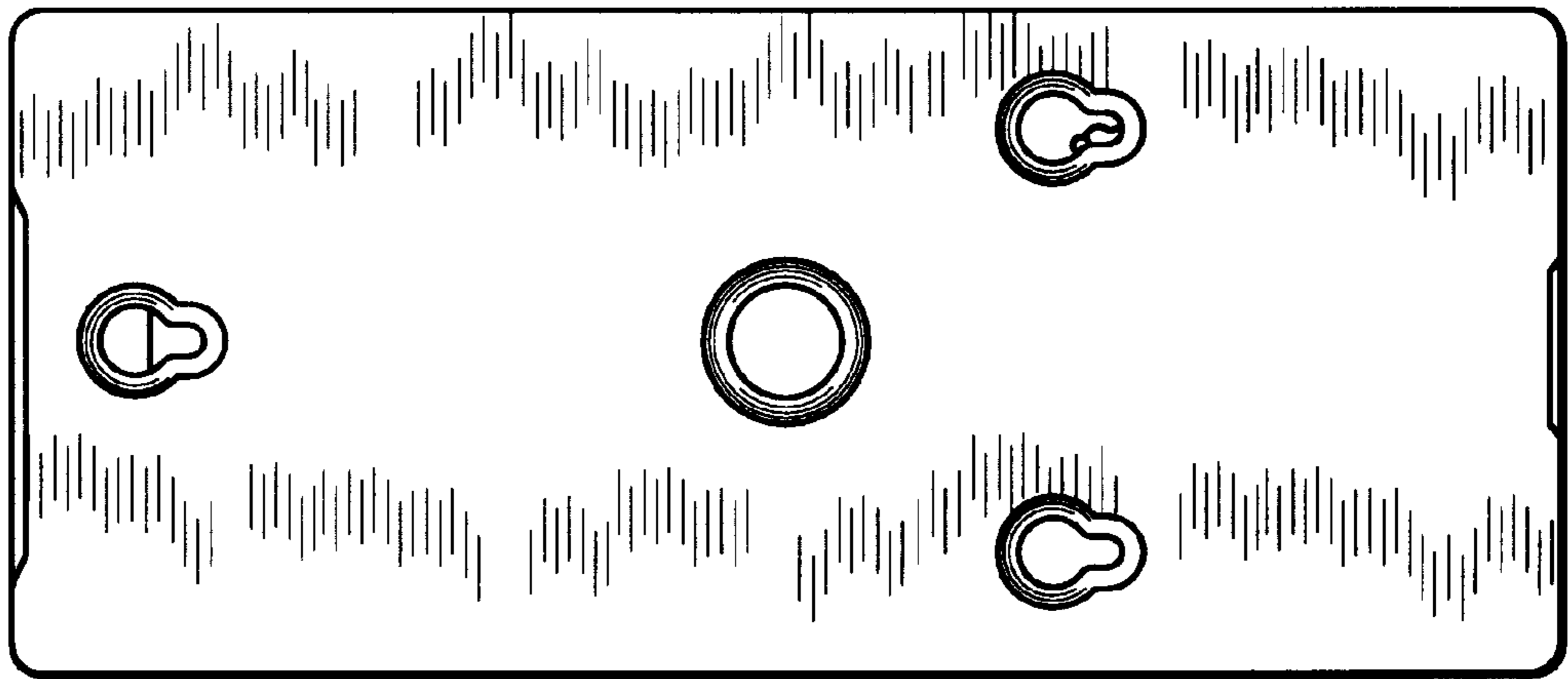


FIG. 6