



US00D434334S

United States Patent [19]
Wunderman

[11] **Patent Number: Des. 434,334**

[45] **Date of Patent: ** Nov. 28, 2000**

[54] **WATCH CASE**

D. 413,525 9/1999 Pun D10/30
D. 414,433 9/1999 Crow D10/37

[75] Inventor: **Severin S. Wunderman**, South Laguna, Calif.

Primary Examiner—Nelson C. Holtje
Attorney, Agent, or Firm—Colucci & Umans

[73] Assignee: **Severin Montres AG**, Bern, Switzerland

[57] **CLAIM**

[**] Term: **14 Years**

The ornamental design for a watch case, as shown and described.

[21] Appl. No.: **29/113,838**

DESCRIPTION

[22] Filed: **Nov. 12, 1999**

FIG. 1 is a perspective view of a watch case showing my new design therefor;
FIG. 2 is a top plan view thereof;
FIG. 3 is a bottom plan view thereof;
FIG. 4 is a right-side elevational view thereof;
FIG. 5 is a left-side elevational view thereof;
FIG. 6 is a front elevational view thereof; and,
FIG. 7 is a rear elevational view thereof.

[51] **LOC (7) Cl.** **10-02**

[52] **U.S. Cl.** **D10/30**

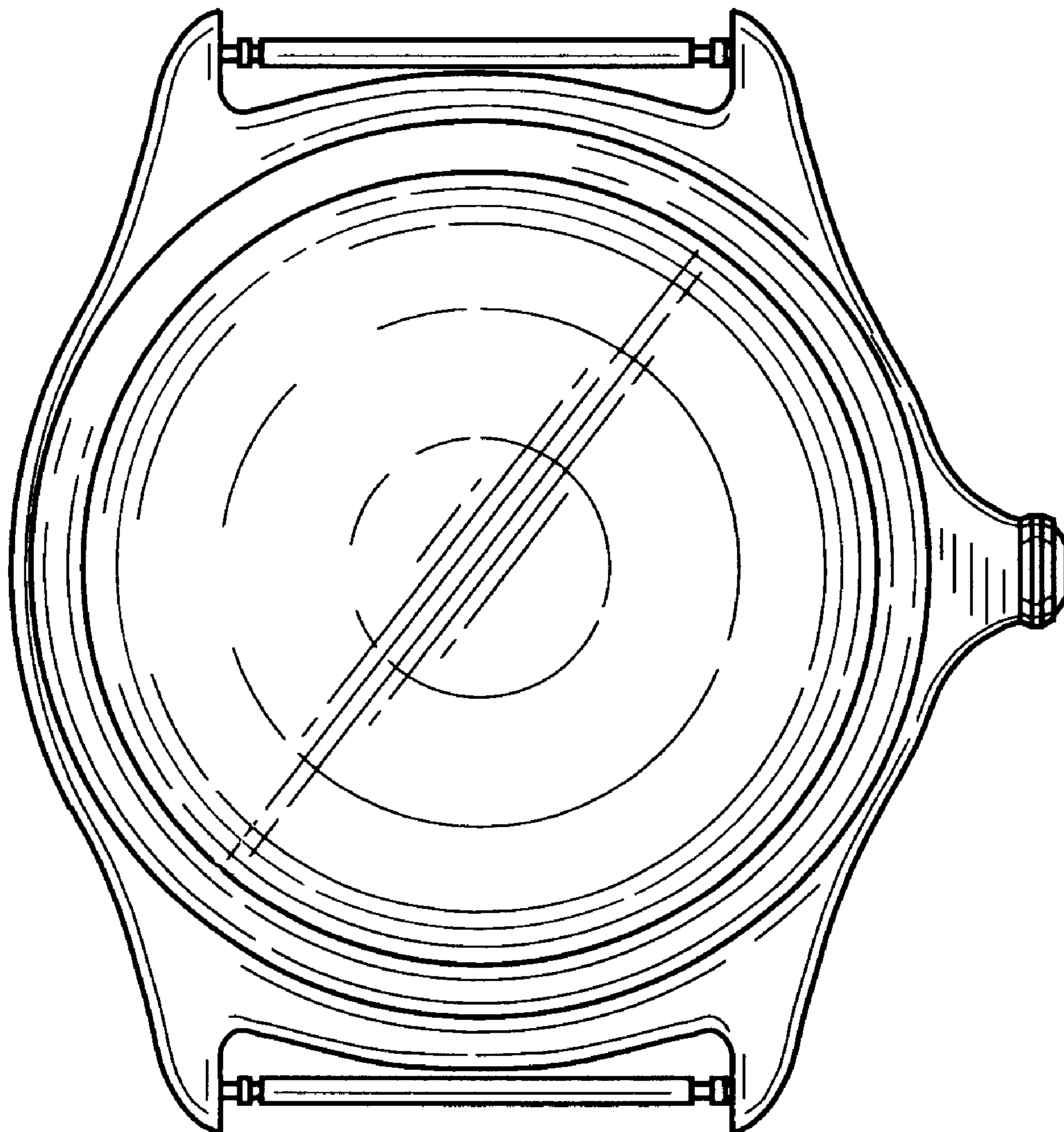
[58] **Field of Search** D10/1-40, 122-132;
368/280-282, 276-277, 285

[56] **References Cited**

U.S. PATENT DOCUMENTS

D. 403,251 12/1998 Yuill D10/32

1 Claim, 3 Drawing Sheets



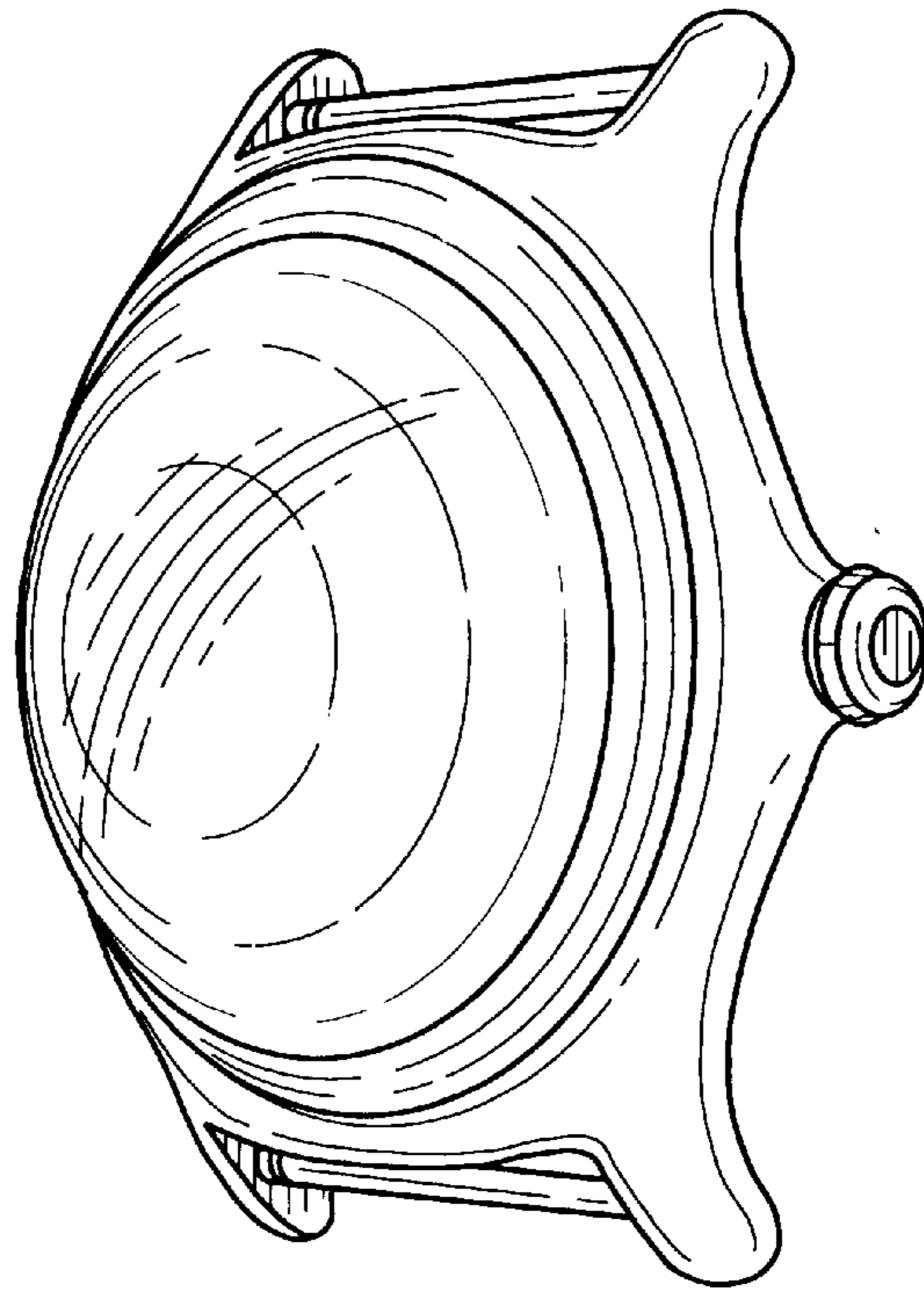


FIG. 1

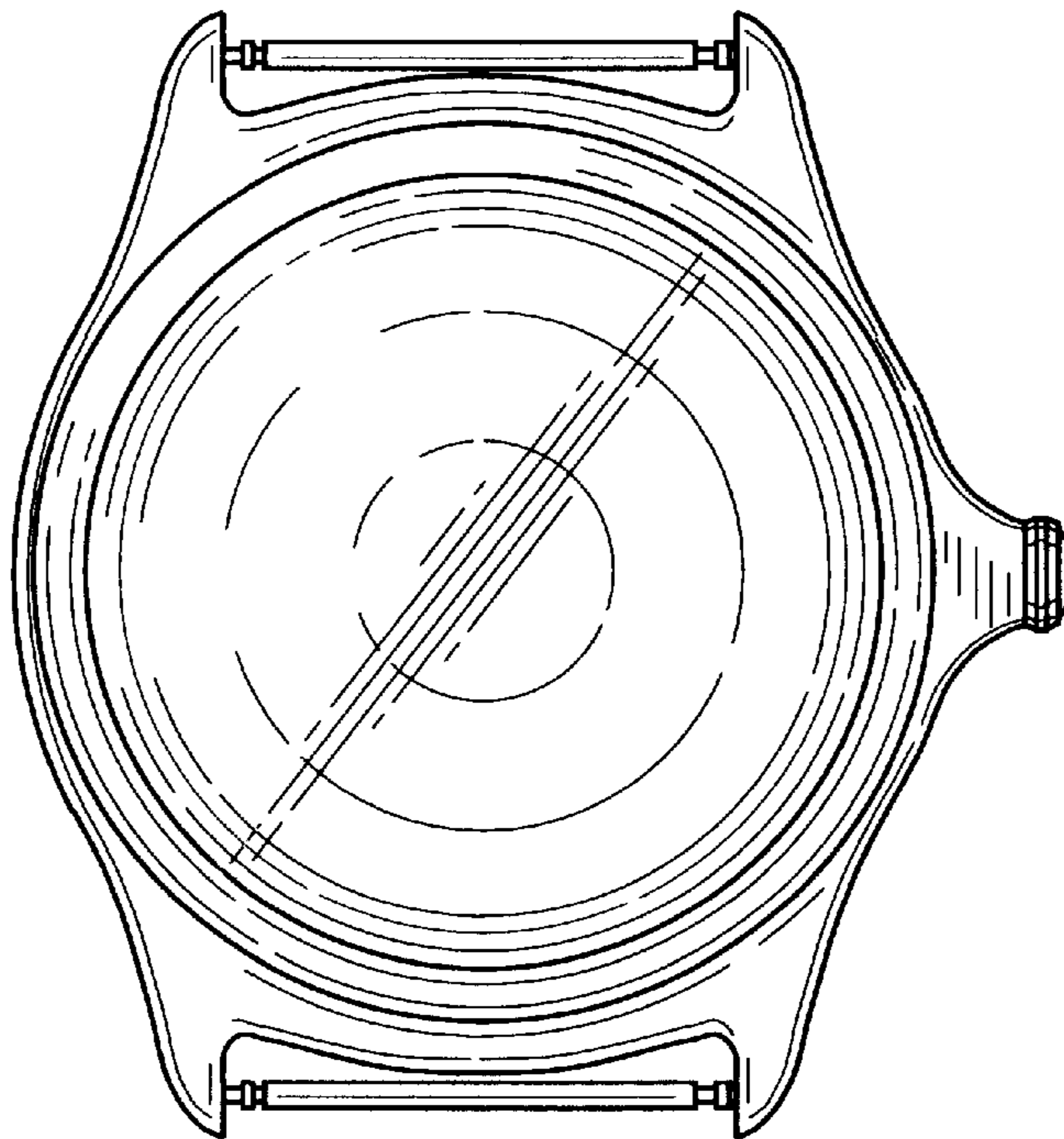


FIG. 2

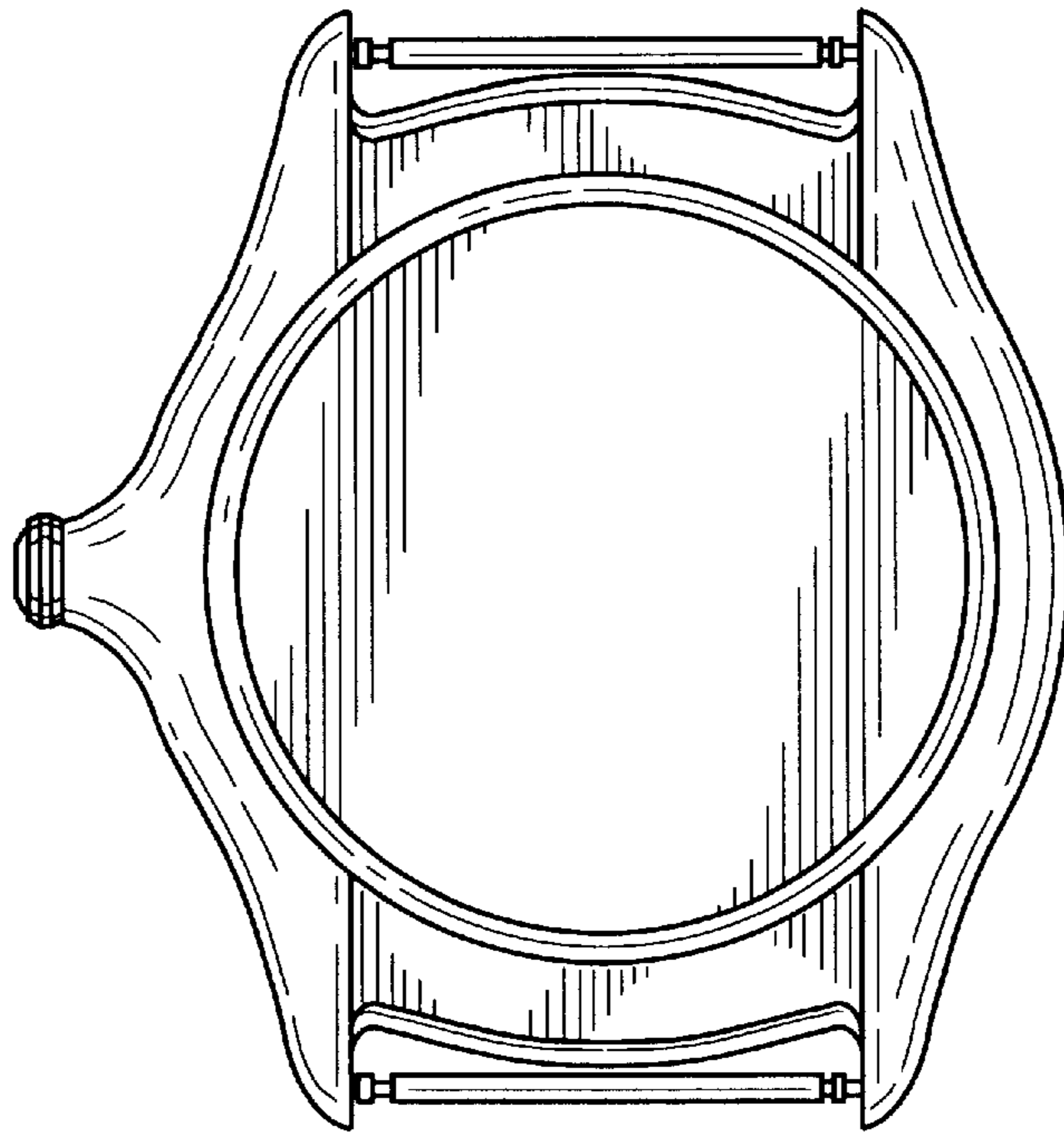


FIG. 3

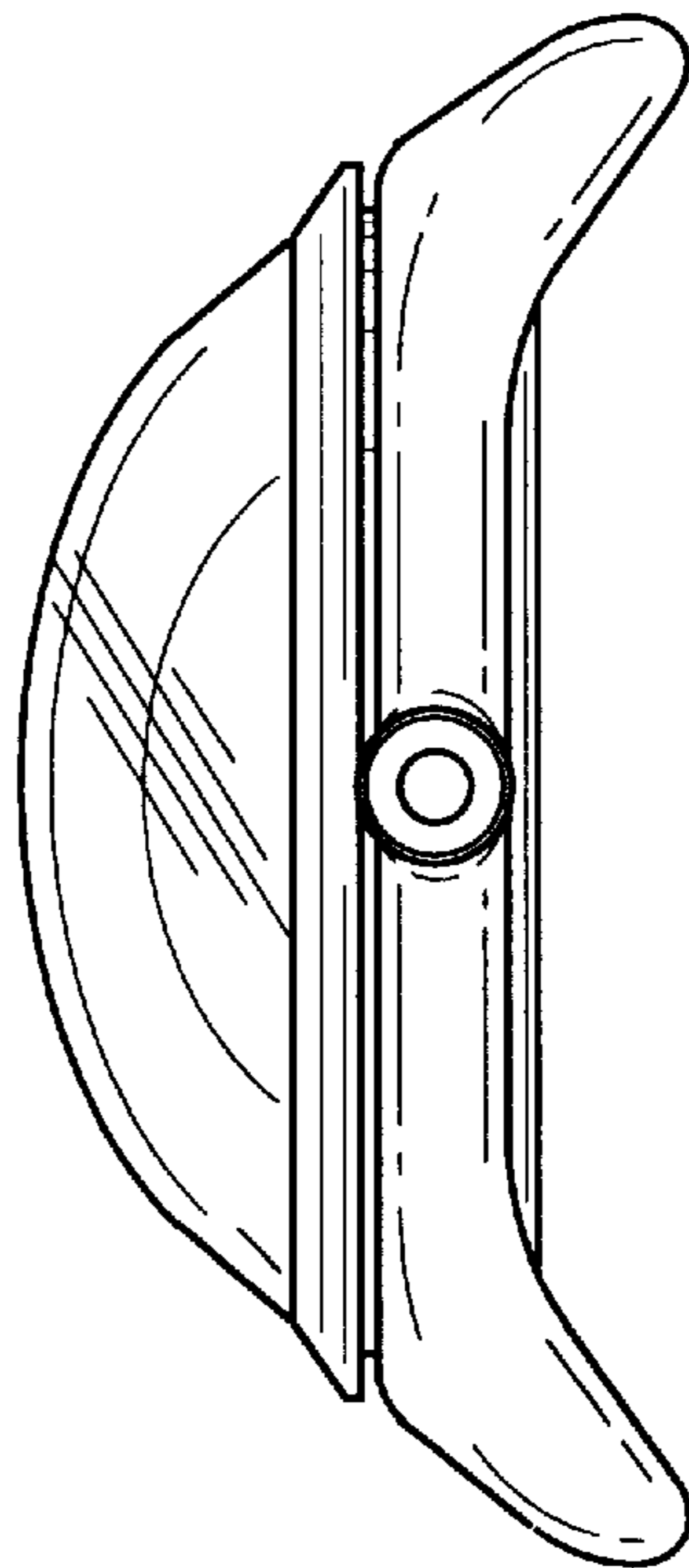


FIG. 4

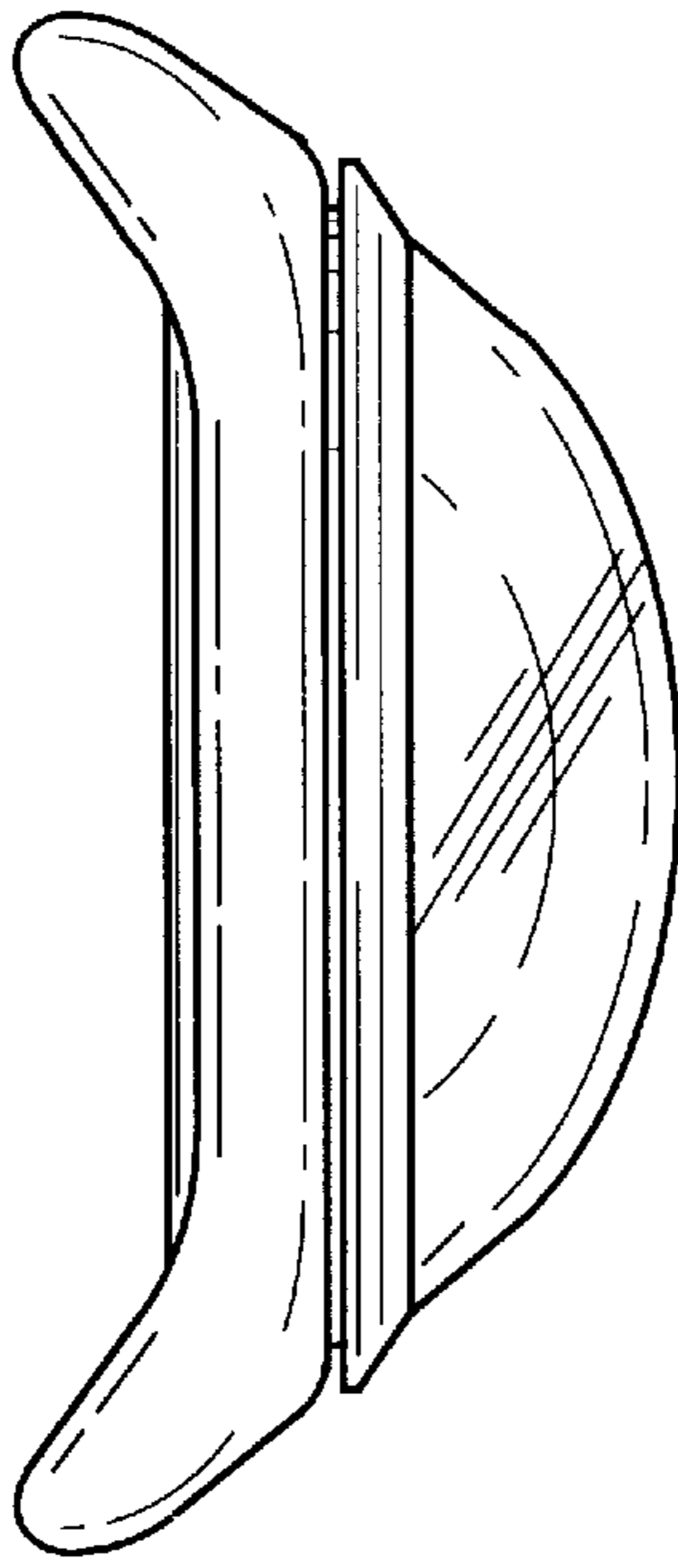


FIG. 5

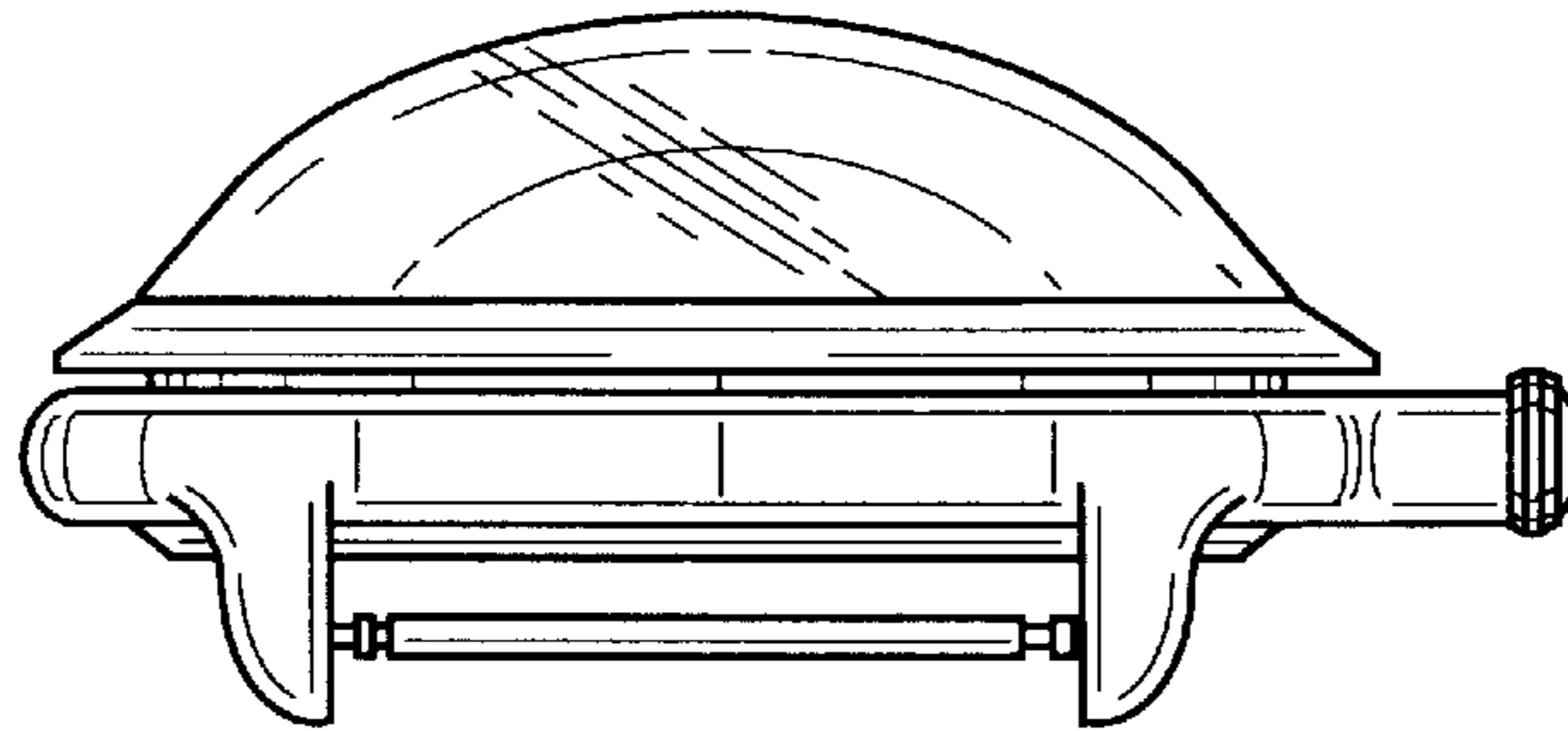


FIG. 6

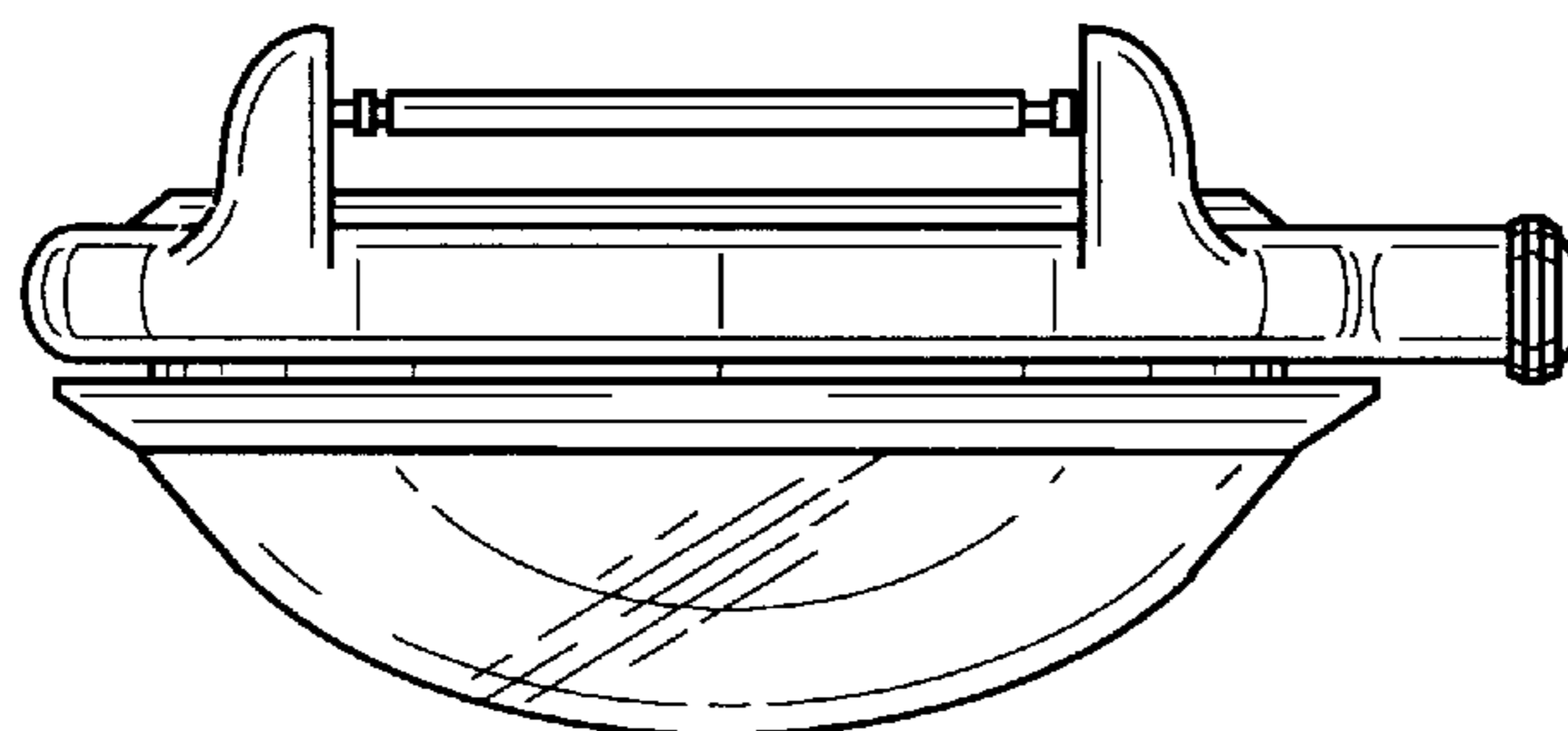


FIG. 7