



US00D434329S

# United States Patent [19]

Vultaggio et al.

[11] Patent Number: Des. 434,329

[45] Date of Patent: \*\* Nov. 28, 2000

[54] BOTTLE

[75] Inventors: **Domenick Vultaggio**, Lattingtown, N.Y.; **John M. Ferolito**, Short Hills, N.J.

[73] Assignee: **Blue Luna Cafe S.P.A. LLC**, Lake Success, N.Y.

[\*\*] Term: 14 Years

[21] Appl. No.: 29/105,770

[22] Filed: Jun. 2, 1999

[51] LOC (7) Cl. .... 09-08

[52] U.S. Cl. .... D9/533; D9/541

[58] Field of Search ..... D9/300, 516-517, D9/520, 522-524, 526-528, 530, 531, 533, 536-540, 542, 548-549, 552, 556, 558-559, 564, 569, 572, 574-575; 215/371, 375, 382-383, 396, 398; 220/375, 661, 671-672, 675, 770-772

### [56] References Cited

#### U.S. PATENT DOCUMENTS

D. 84,964	8/1931	Viele .....	D9/533
D. 90,963	10/1933	Vanderbilt .....	D9/533
D. 115,848	7/1939	Fuerst .....	215/398
D. 185,881	8/1959	Fuerst .....	D9/502
D. 186,055	9/1959	Sterges .....	D9/502
D. 195,739	7/1963	Worthington .....	D9/541

D. 209,927	1/1968	Sterges .....	D9/536
D. 213,948	4/1969	Anderson .....	D9/536
D. 241,415	9/1976	Koenigsberg .....	D9/542
D. 258,564	3/1981	Hayes .....	D9/536
3,310,088	3/1967	Hildebrandt .....	215/382

Primary Examiner—Ted Shooman  
Assistant Examiner—Carol Rademaker  
Attorney, Agent, or Firm—Synnestvedt & Lechner LLP

### [57] CLAIM

The ornamental design for a bottle, as shown and described.

### DESCRIPTION

FIGS. 1 through 7 represent a first embodiment of this invention, wherein:

FIG. 1 is a front perspective view of the bottle of our invention;

FIG. 2 is a front view on a reduced scale of the bottle of FIG. 1;

FIG. 3 is a left-hand side view on a reduced scale of the bottle of FIG. 1;

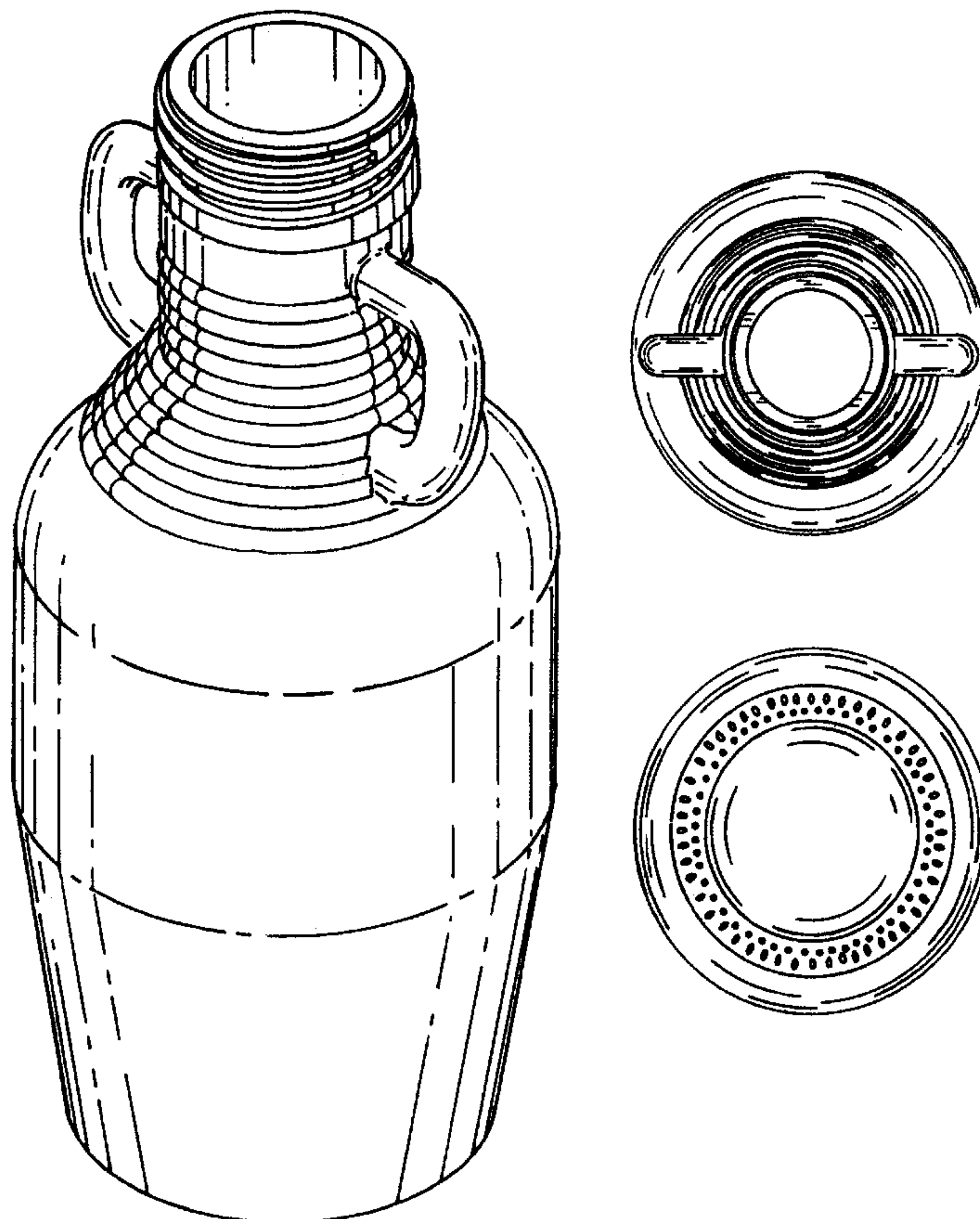
FIG. 4 is a right-hand side view on a reduced scale of the bottle of FIG. 1;

FIG. 5 is a rear view on a reduced scale of the bottle of FIG. 1;

FIG. 6 is a top view on a reduced scale of the bottle of FIG. 1; and,

FIG. 7 is a bottom view on a reduced scale of the bottle of FIG. 1.

1 Claim, 3 Drawing Sheets



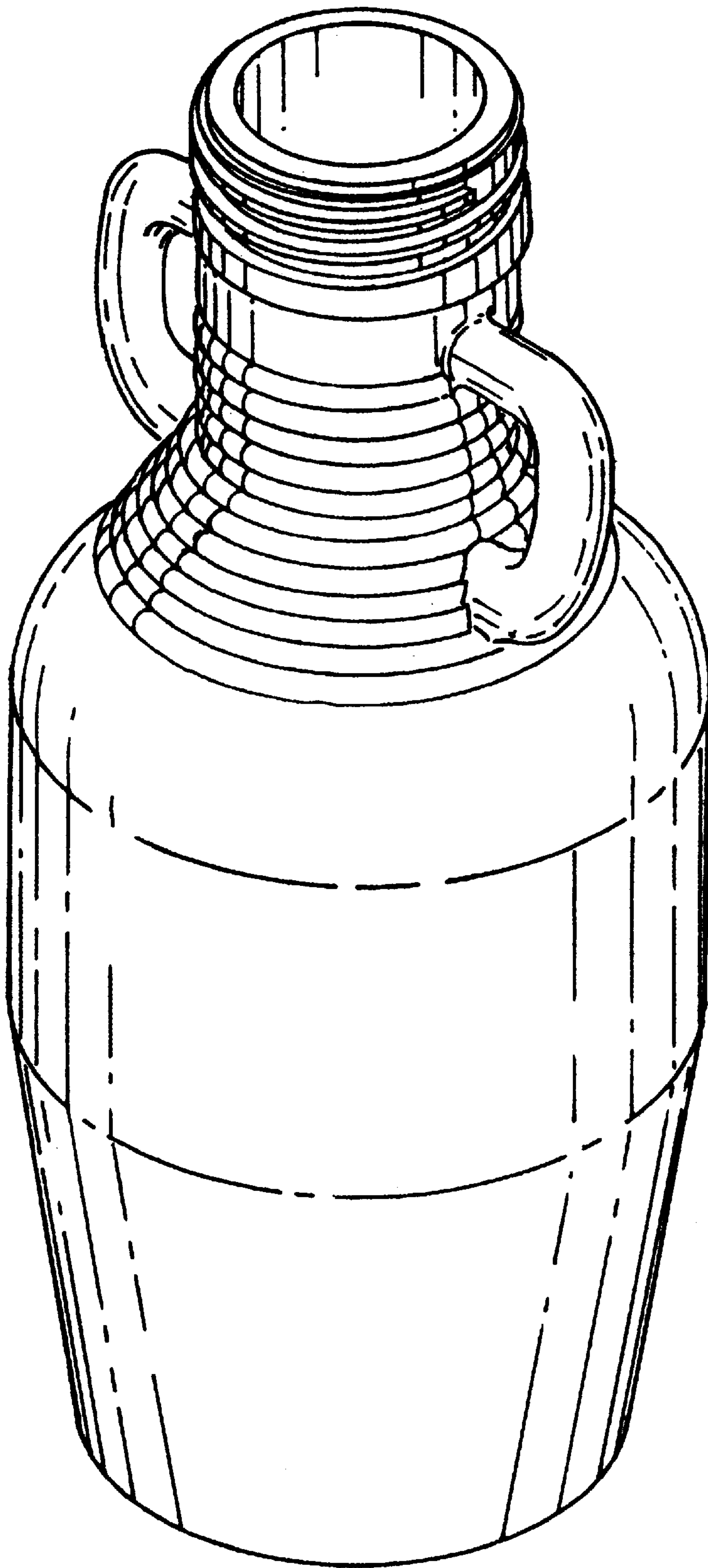


Fig. 1

Fig. 3

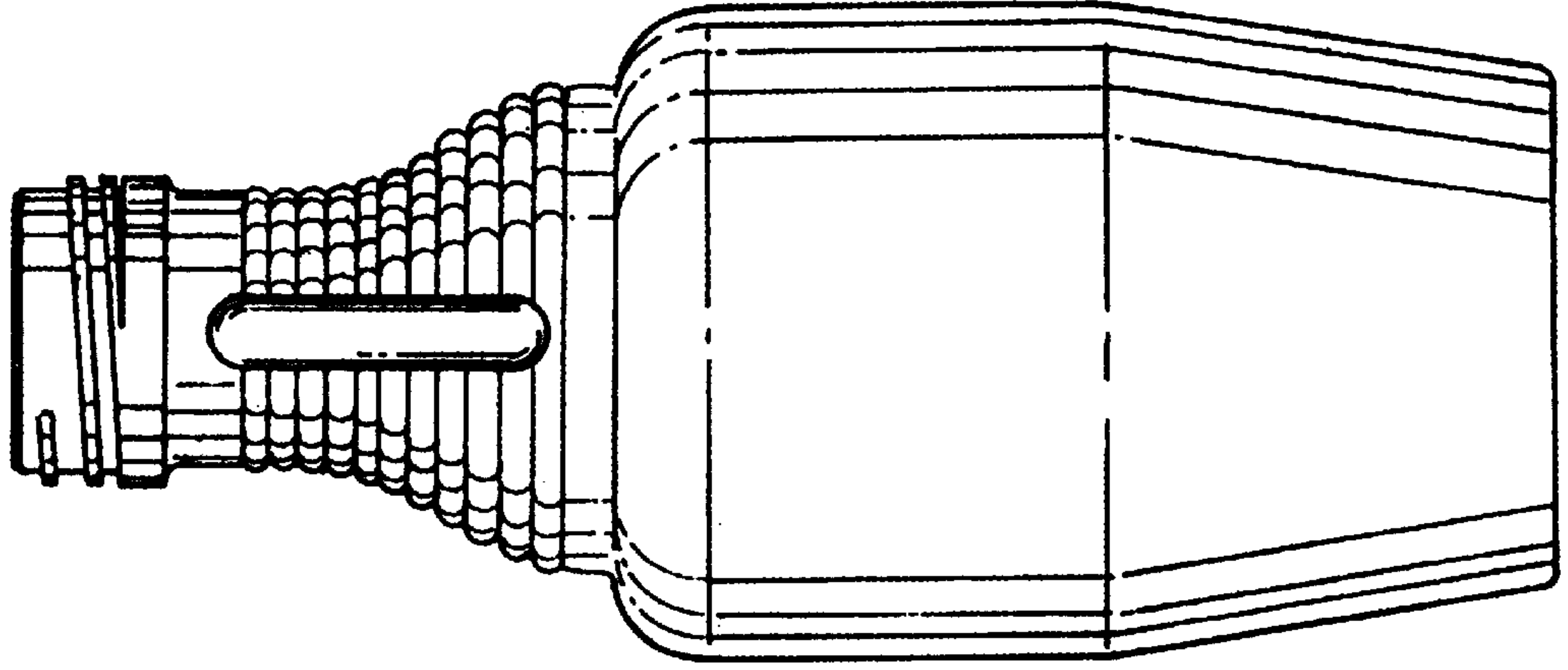


Fig. 2

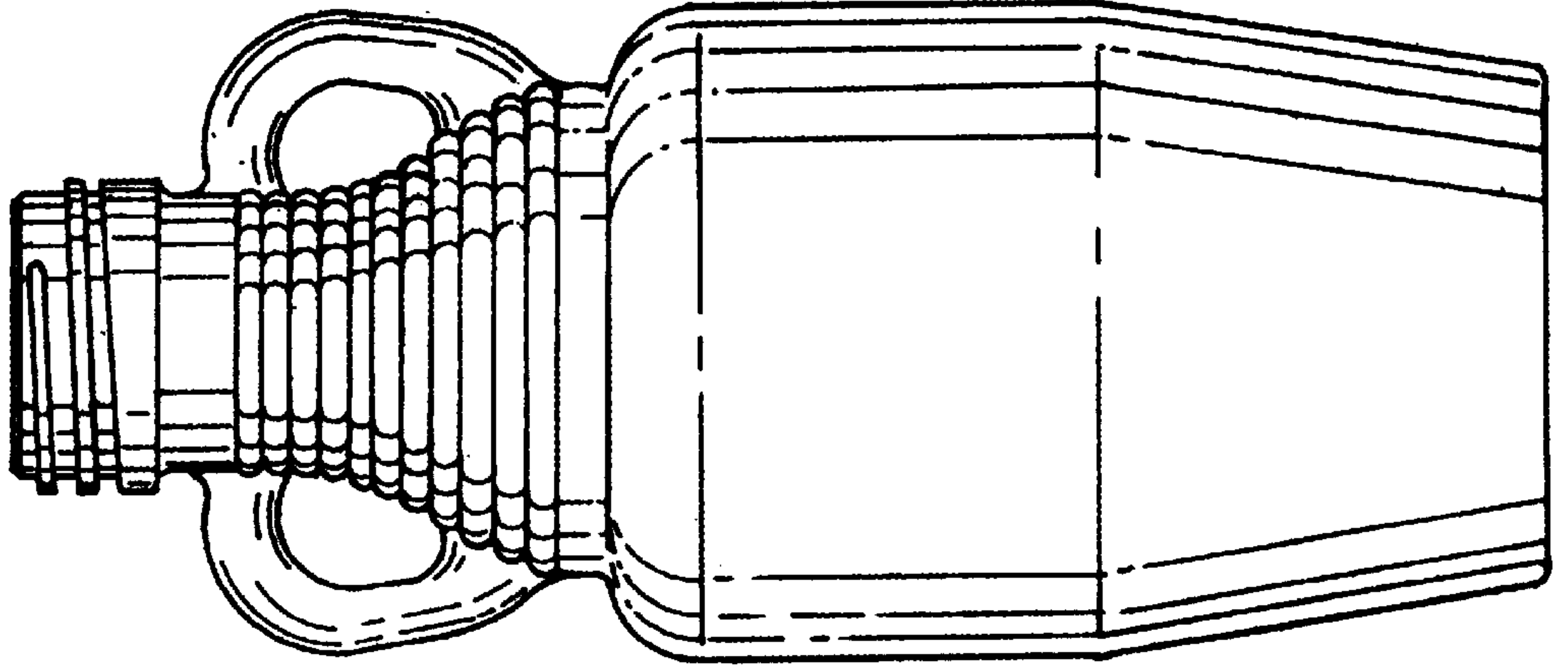


Fig. 4

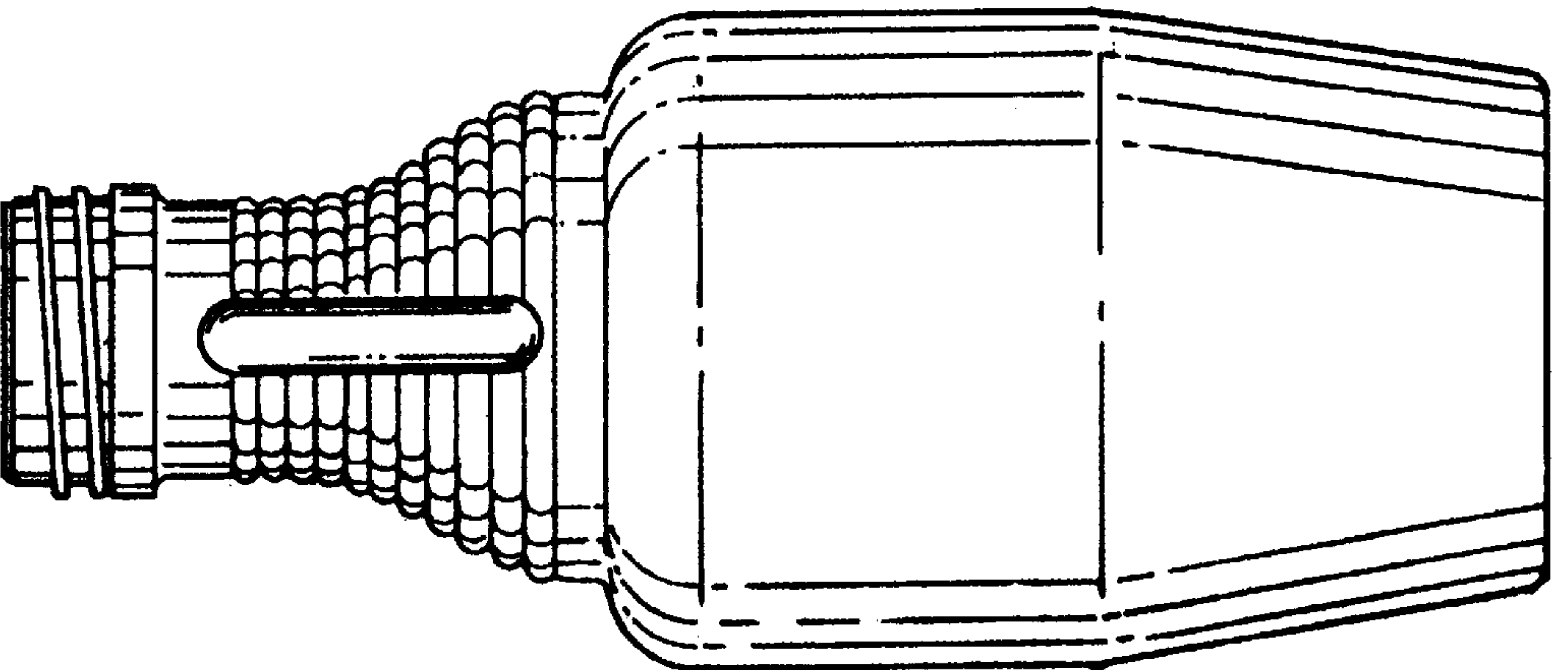




Fig. 6

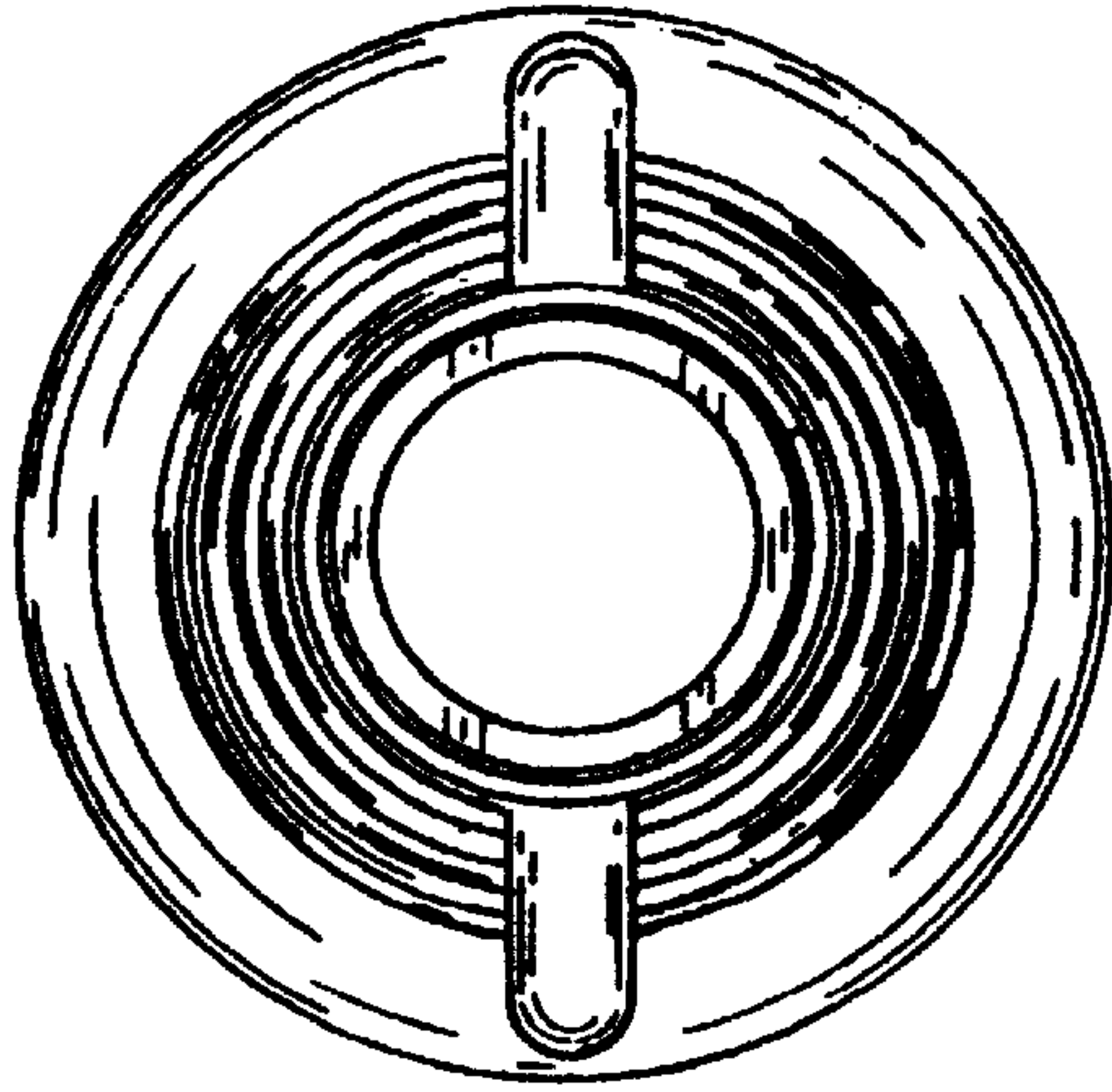


Fig. 7

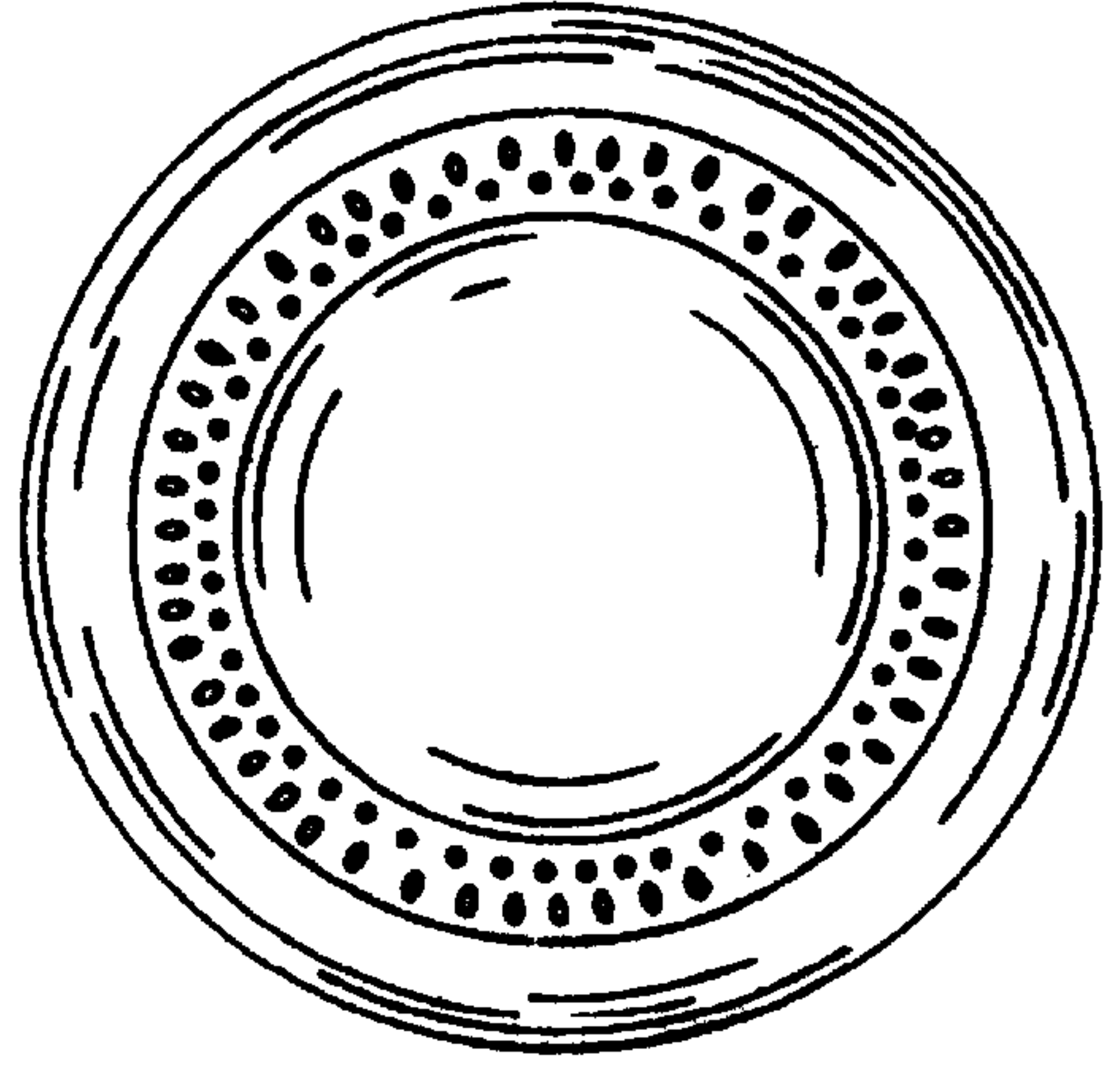


Fig. 5

