



US00D434318S

United States Patent [19] Chiang

[11] Patent Number: Des. 434,318

[45] Date of Patent: ** Nov. 28, 2000

[54] PACKAGING CASE

[76] Inventor: **Herman Chiang**, 2F, No 634-9,
Ching-Ping RD., Chung-Ho City, Taipei
Hsien, Taiwan

[**] Term: **14 Years**

[21] Appl. No.: **29/116,913**

[22] Filed: **Jan. 12, 2000**

[51] LOC (7) Cl. **09-07**

[52] U.S. Cl. **D9/418**

[58] Field of Search D9/415, 418, 414,
D9/424, 430; 206/769-771, 775-783, 457;
229/162, 106, 107, 116.1, 116.5, 902, 938;
220/602, 675, 662

[56] **References Cited**

U.S. PATENT DOCUMENTS

| | | | | |
|------------|---------|------------------|-------|----------|
| D. 259,253 | 5/1981 | Nelson | | D9/418 |
| D. 318,426 | 7/1991 | Vroonen | | D9/418 |
| D. 357,627 | 4/1995 | Angeles et al. | | D9/418 |
| D. 398,226 | 9/1998 | Lal et al. | | D9/418 |
| D. 415,960 | 11/1999 | Majdanski et al. | | D9/415 X |
| 2,290,104 | 7/1942 | Larson | | 206/781 |

| | | | | |
|-----------|---------|--------|-------|---------|
| 2,521,184 | 9/1950 | Paige | | 206/776 |
| 2,908,382 | 10/1959 | Turner | | 206/776 |
| 3,778,515 | 12/1973 | Ashley | | 206/778 |
| 5,188,222 | 2/1993 | Pierce | | 206/776 |

OTHER PUBLICATIONS

Packaging, p. 258, Jan. 1959

Primary Examiner—Prabhakar Deshmukh
Attorney, Agent, or Firm—Pro-Techtor International
Services

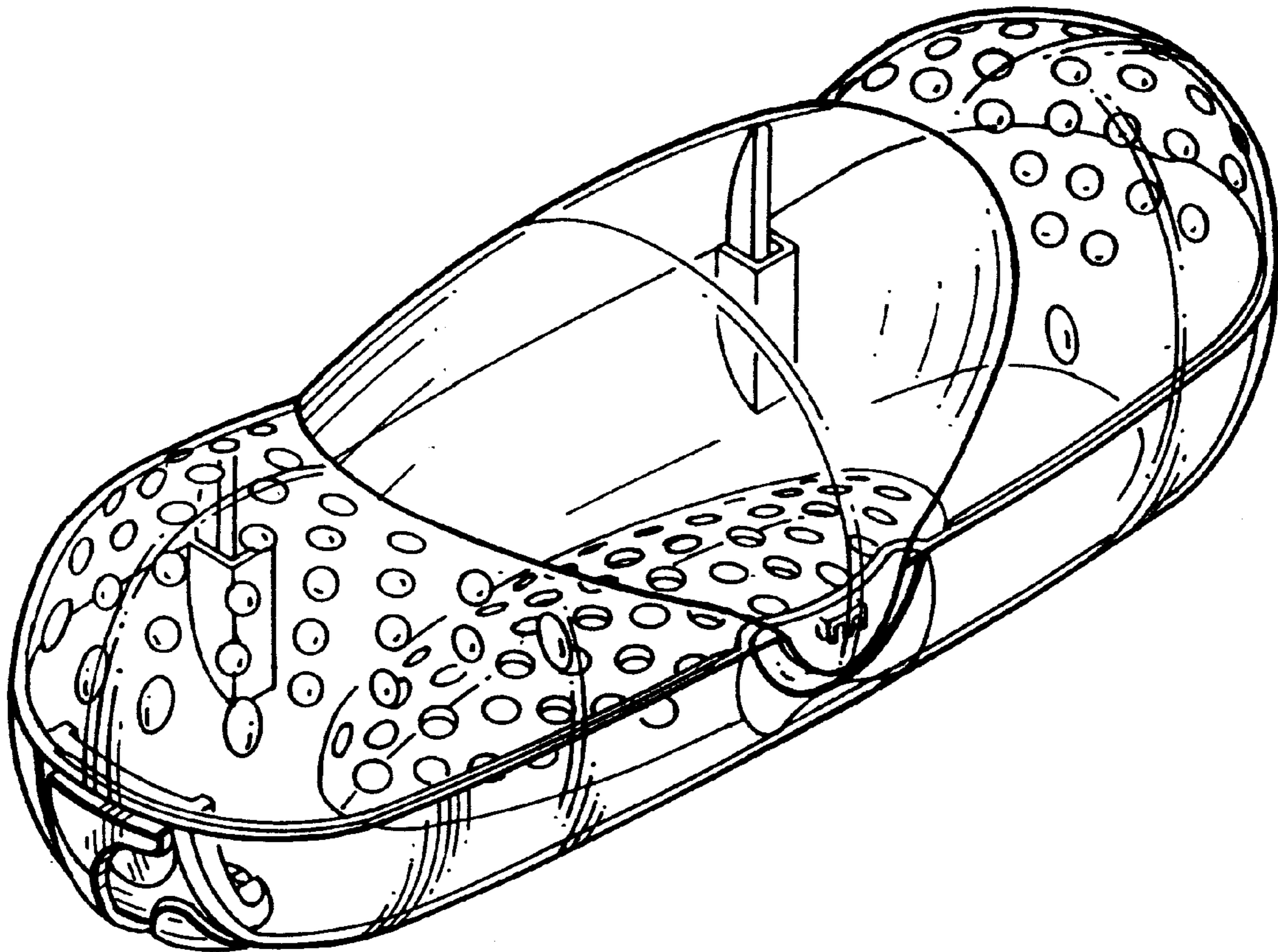
[57] CLAIM

The ornamental design for a a packaging case, as shown and described.

DESCRIPTION

FIG. 1 is a perspective view of a packaging case showing my new design;
FIG. 2 is a front elevational view thereof;
FIG. 3 is a rear elevational view thereof;
FIG. 4 is a left side elevational view thereof;
FIG. 5 is a right side elevational view thereof;
FIG. 6 is a top plan view thereof; and,
FIG. 7 is a bottom plan view thereof.

1 Claim, 4 Drawing Sheets



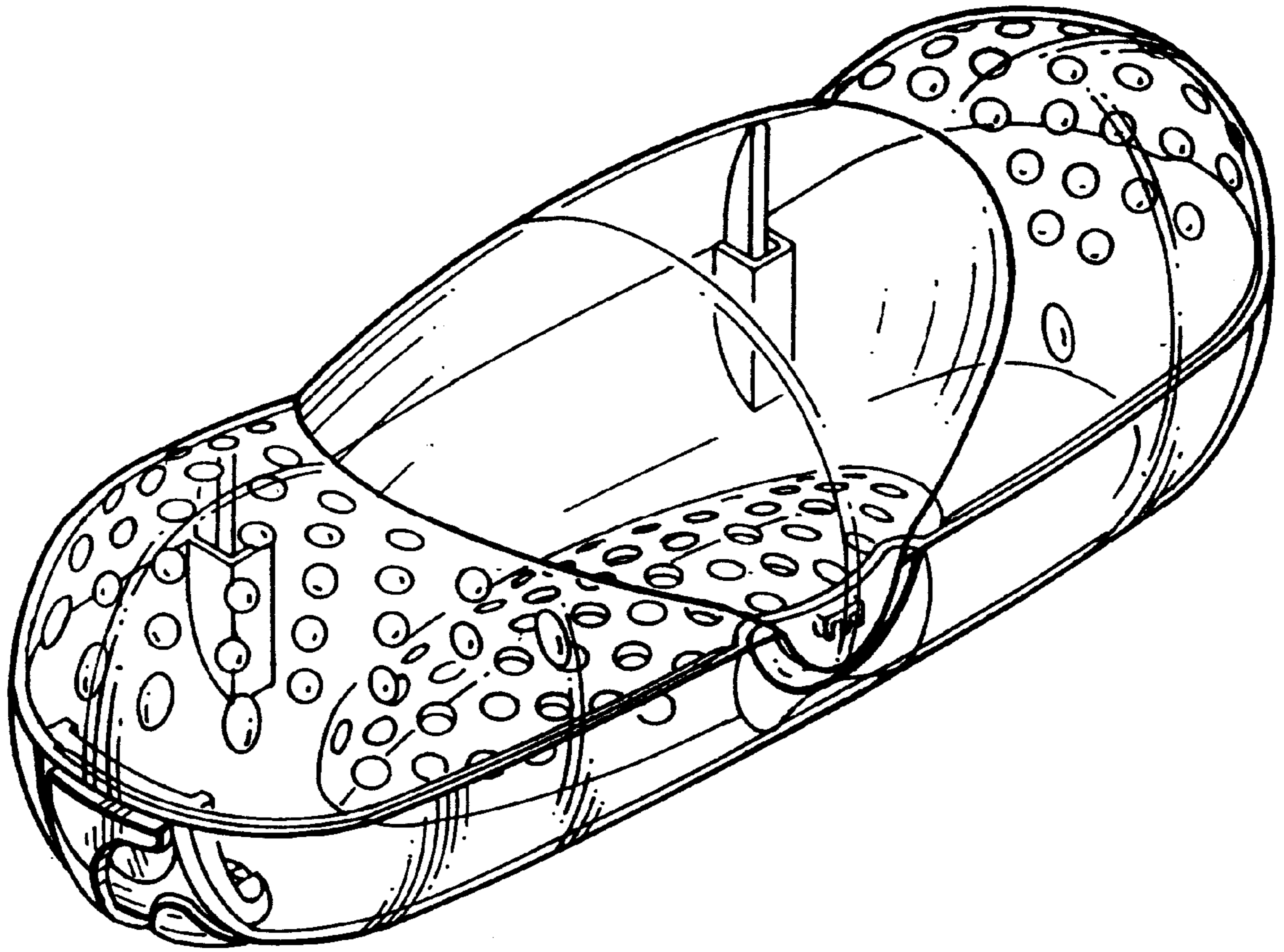


FIG 1

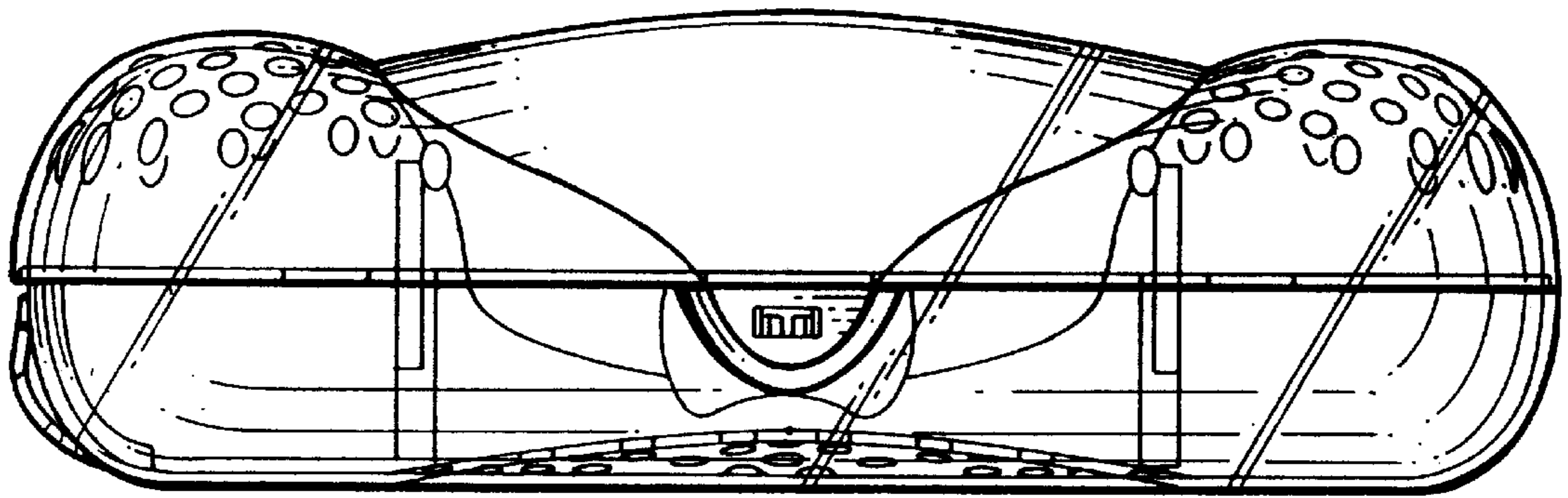


FIG 2

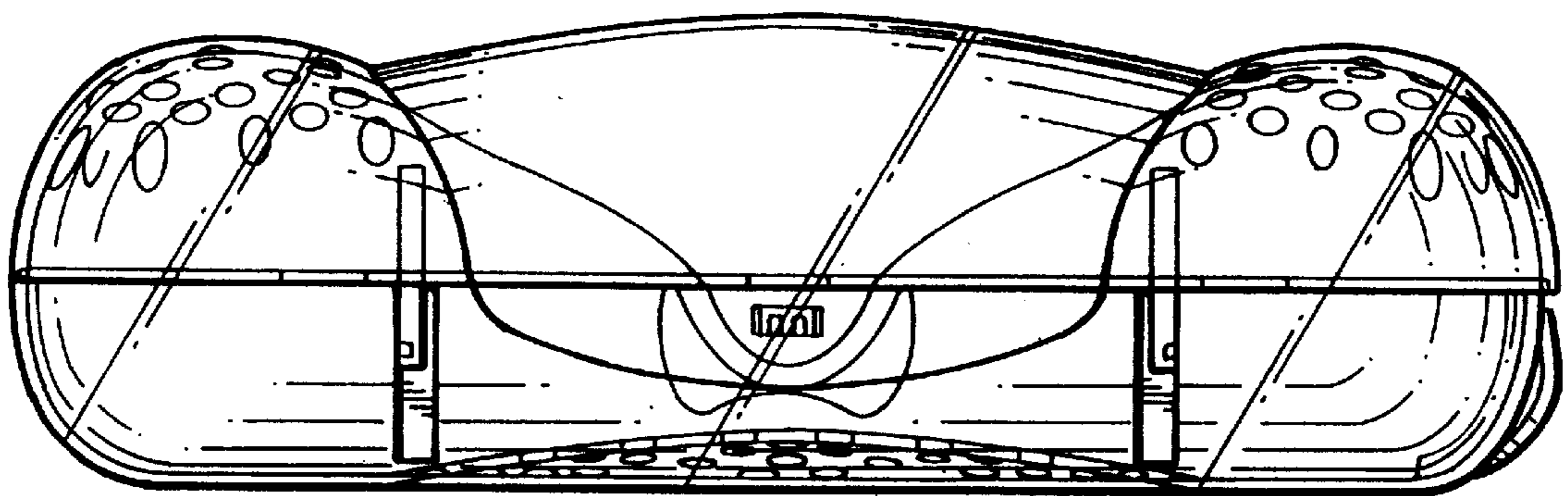


FIG 3

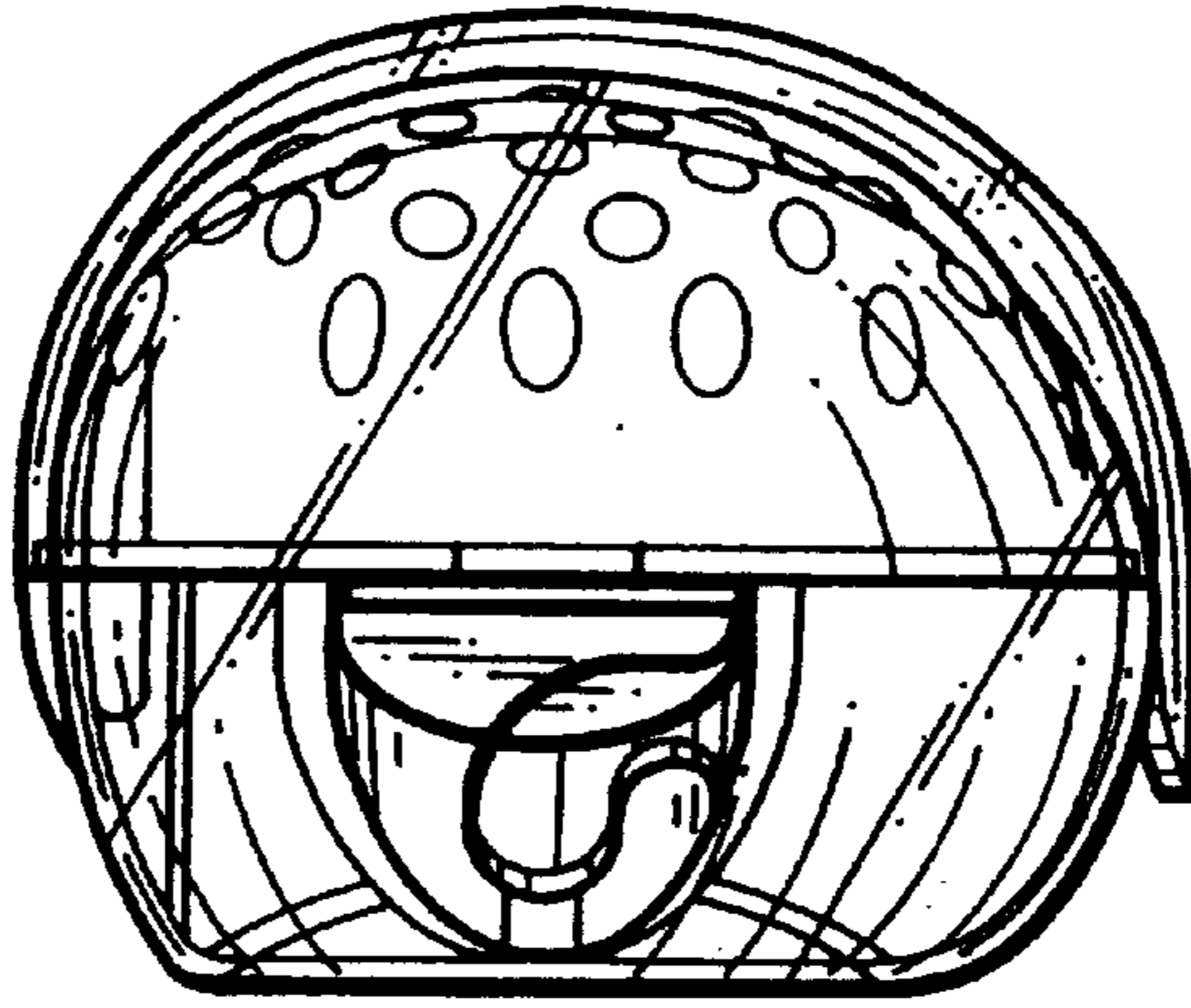


FIG 4

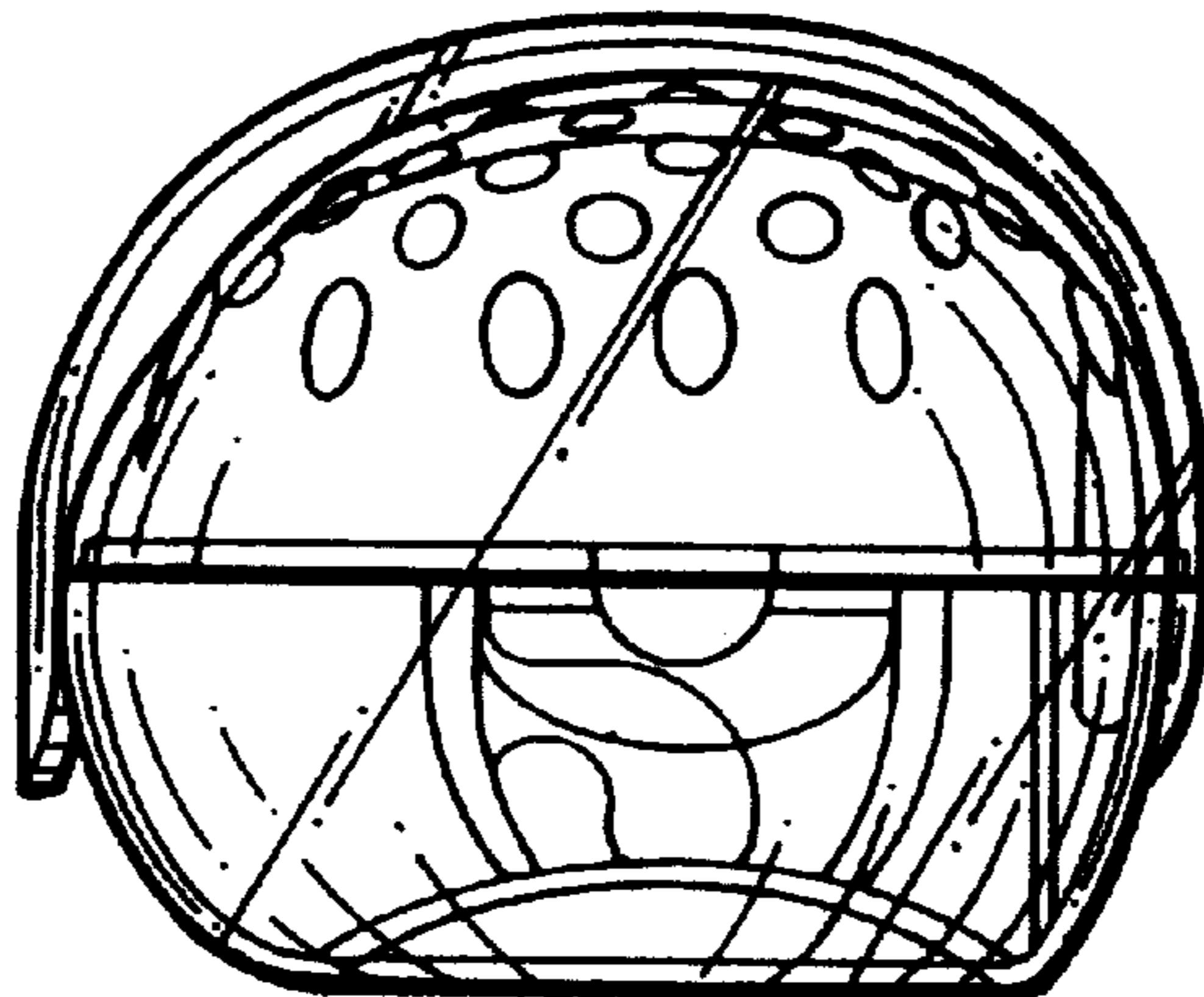


FIG 5

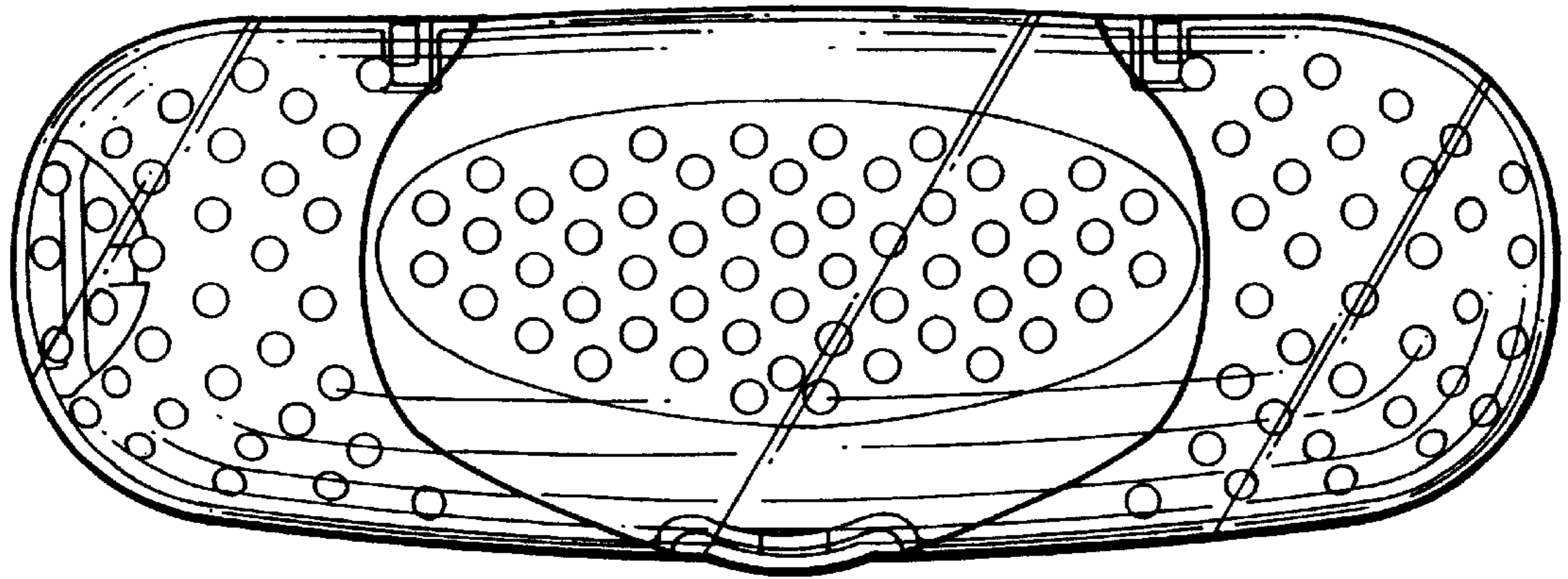


FIG 6

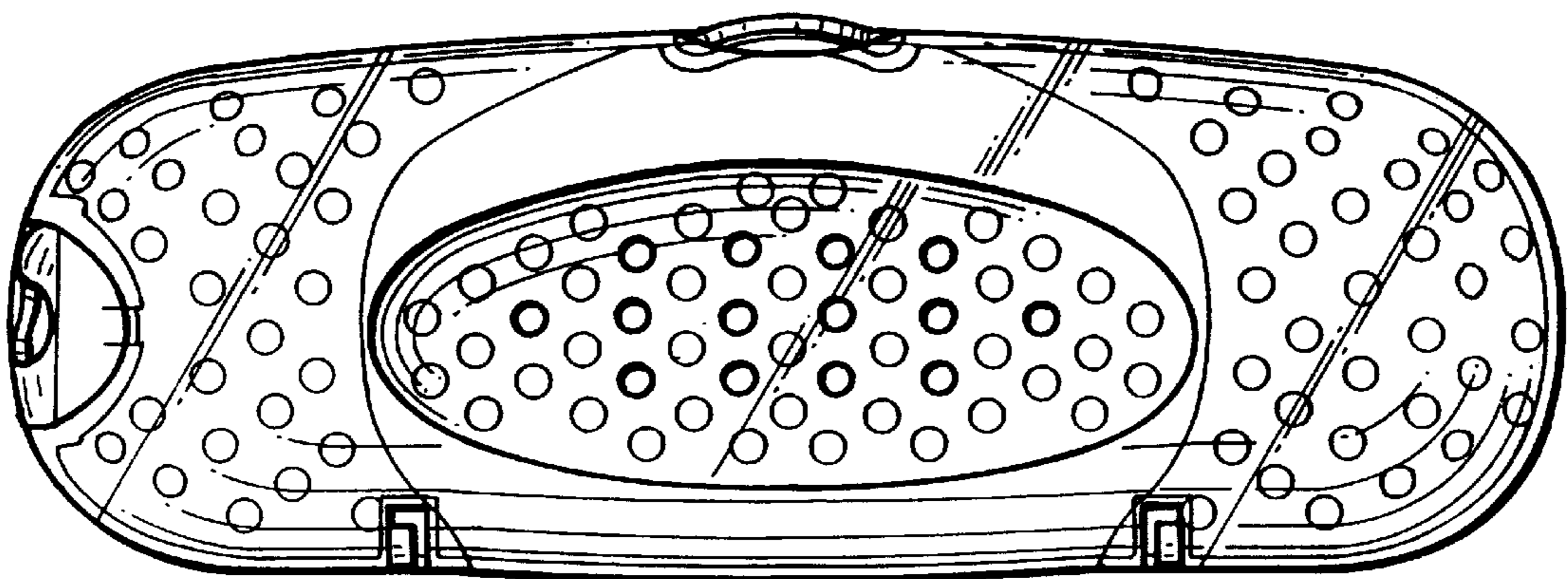


FIG 7