



US00D434317S

United States Patent [19] Humphrey

[11] **Patent Number: Des. 434,317**

[45] **Date of Patent: ** Nov. 28, 2000**

[54] **PACKAGE**

[75] Inventor: **Neall W. Humphrey**, El Dorado Hills, Calif.

[73] Assignee: **Trade Source International**, El Dorado Hills, Calif.

[**] Term: **14 Years**

[21] Appl. No.: **29/121,730**

[22] Filed: **Apr. 4, 2000**

Related U.S. Application Data

[62] Division of application No. 29/101,256, Mar. 1, 1999.

[51] **LOC (7) Cl.** **09-07**

[52] **U.S. Cl.** **D9/415; D9/418**

[58] **Field of Search** D9/415, 418, 414, D9/337, 341; 206/461-471, 495, 775-783, 756, 757, 765, 320

[56] References Cited

U.S. PATENT DOCUMENTS

D. 315,302	3/1991	Kistler	D9/415
D. 394,384	5/1998	Humphrey	D9/418
D. 414,108	9/1999	Humphrey	D9/415

D. 416,485	11/1999	Humphrey	D9/418
D. 418,408	1/2000	Humphrey	D9/415
3,116,825	1/1964	Thomas	206/471
4,930,627	6/1990	Borst et al.	206/470 X
5,289,916	3/1994	Mickelberg	206/756
5,765,693	6/1998	Gnadt et al.	206/763
5,890,593	4/1999	Humphrey	206/471

OTHER PUBLICATIONS

Techform Inc, Nov. 1982.

Primary Examiner—Prabhakar Deshmukh
Attorney, Agent, or Firm—Oppenheimer Wolff & Donnelly LLP

[57] CLAIM

The ornamental design for a package, as shown and described.

DESCRIPTION

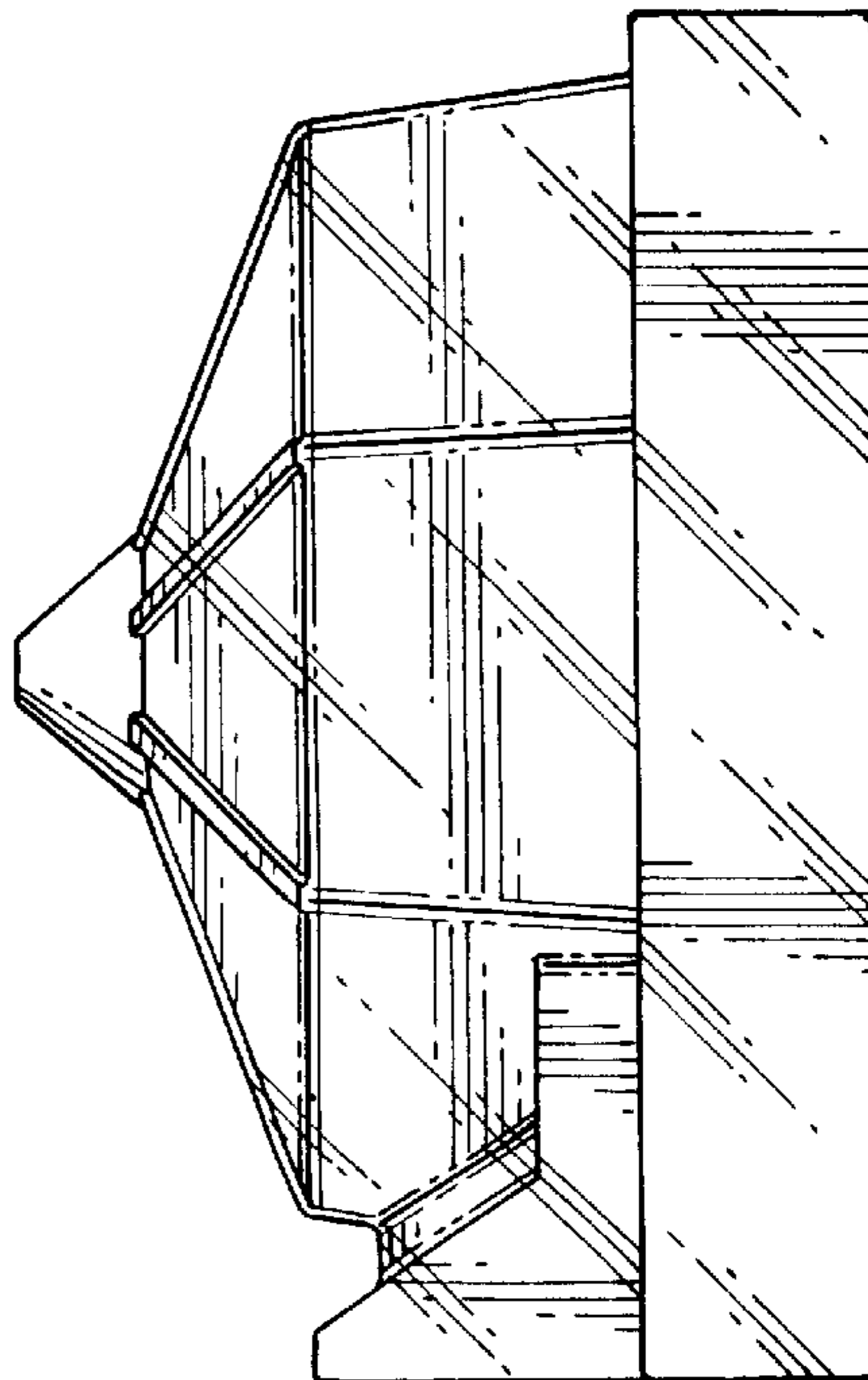
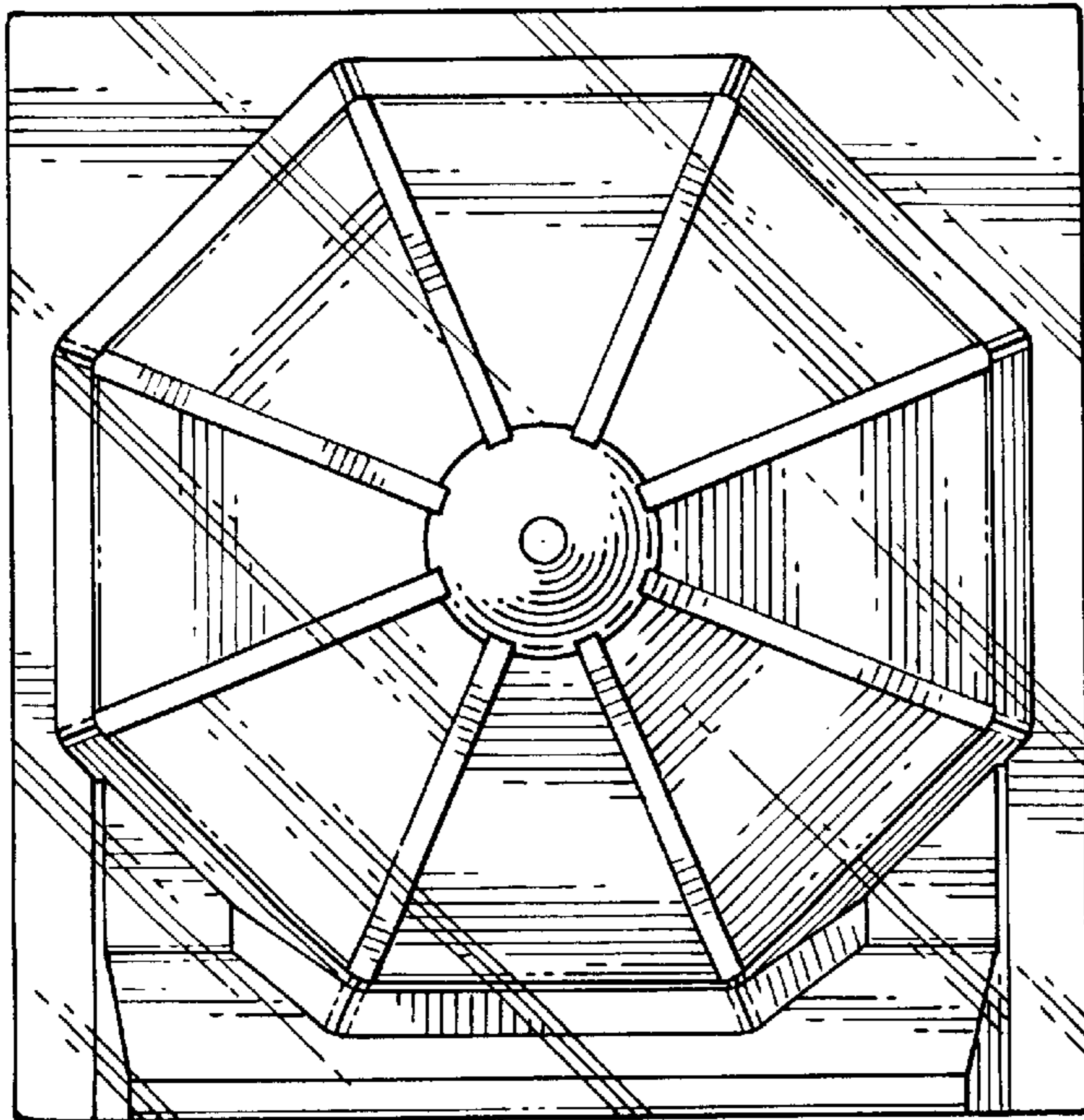
FIG. 1 is a front elevational view of a package showing my new design;

FIG. 2 is a top plan view thereof; and,

FIG. 3 is a right side elevational view, the left side elevational view being a mirror image thereof.

The bottom and rear are plain and unornamented.

1 Claim, 1 Drawing Sheet



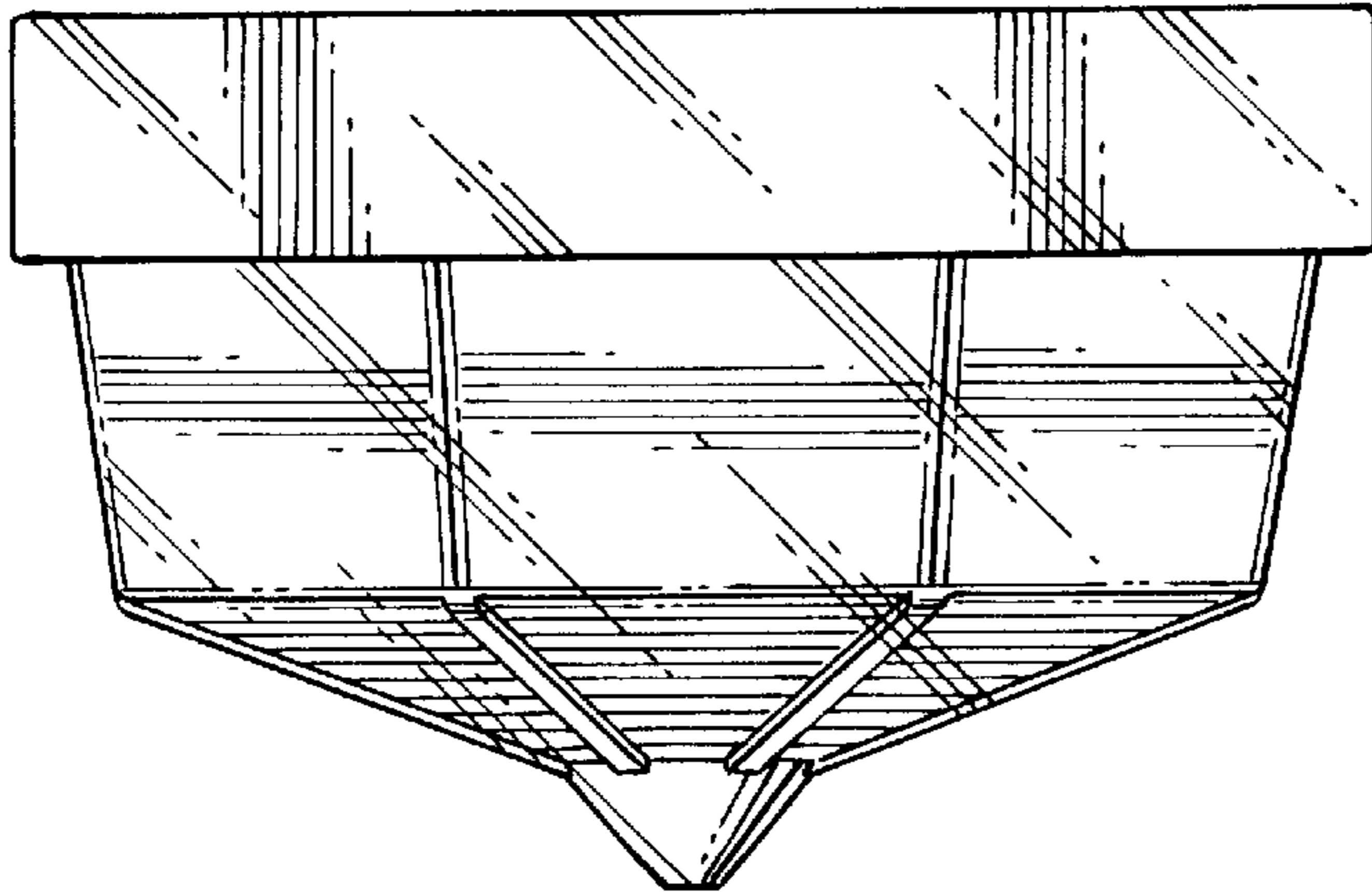


FIG. 2

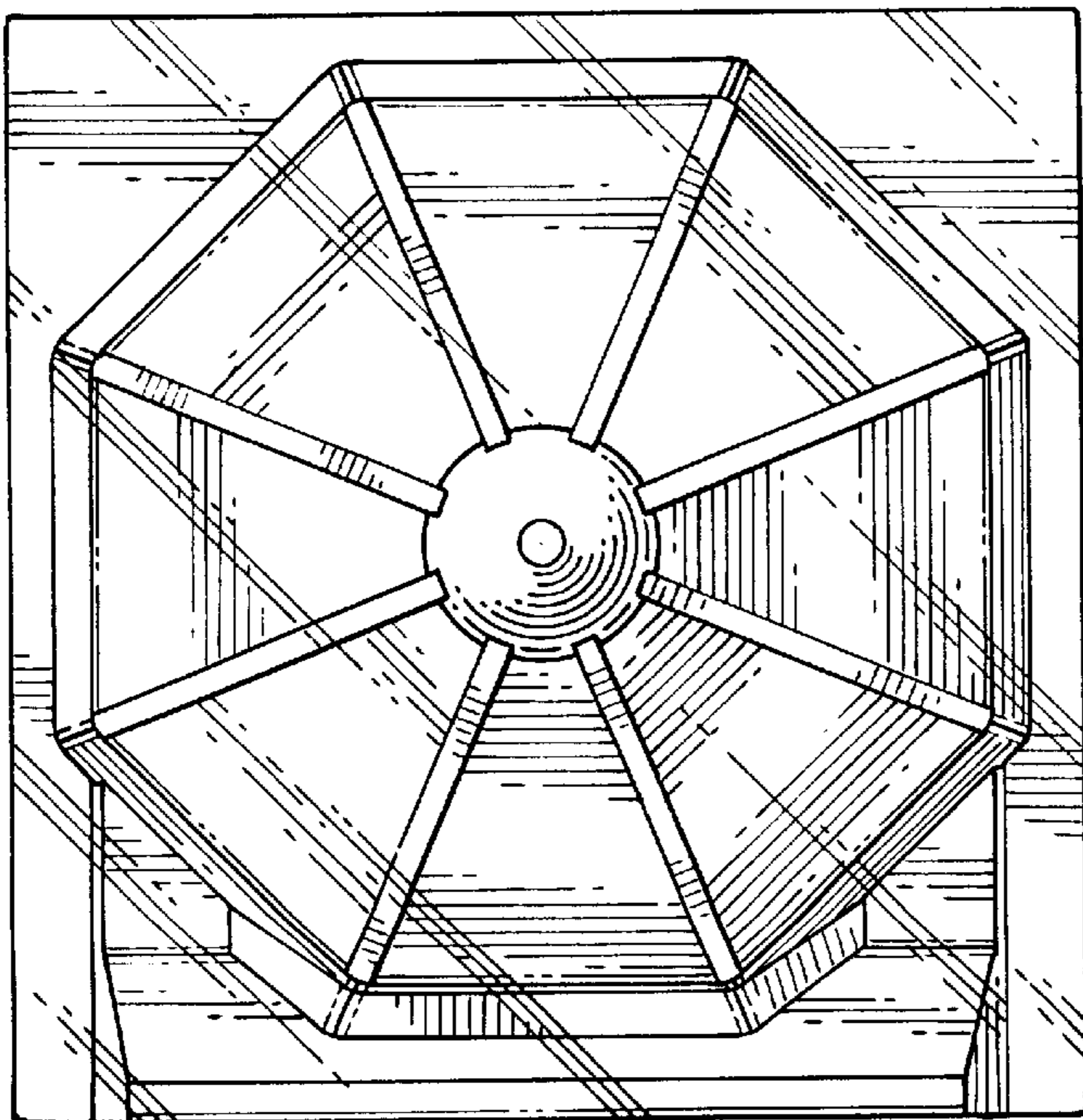


FIG. 1

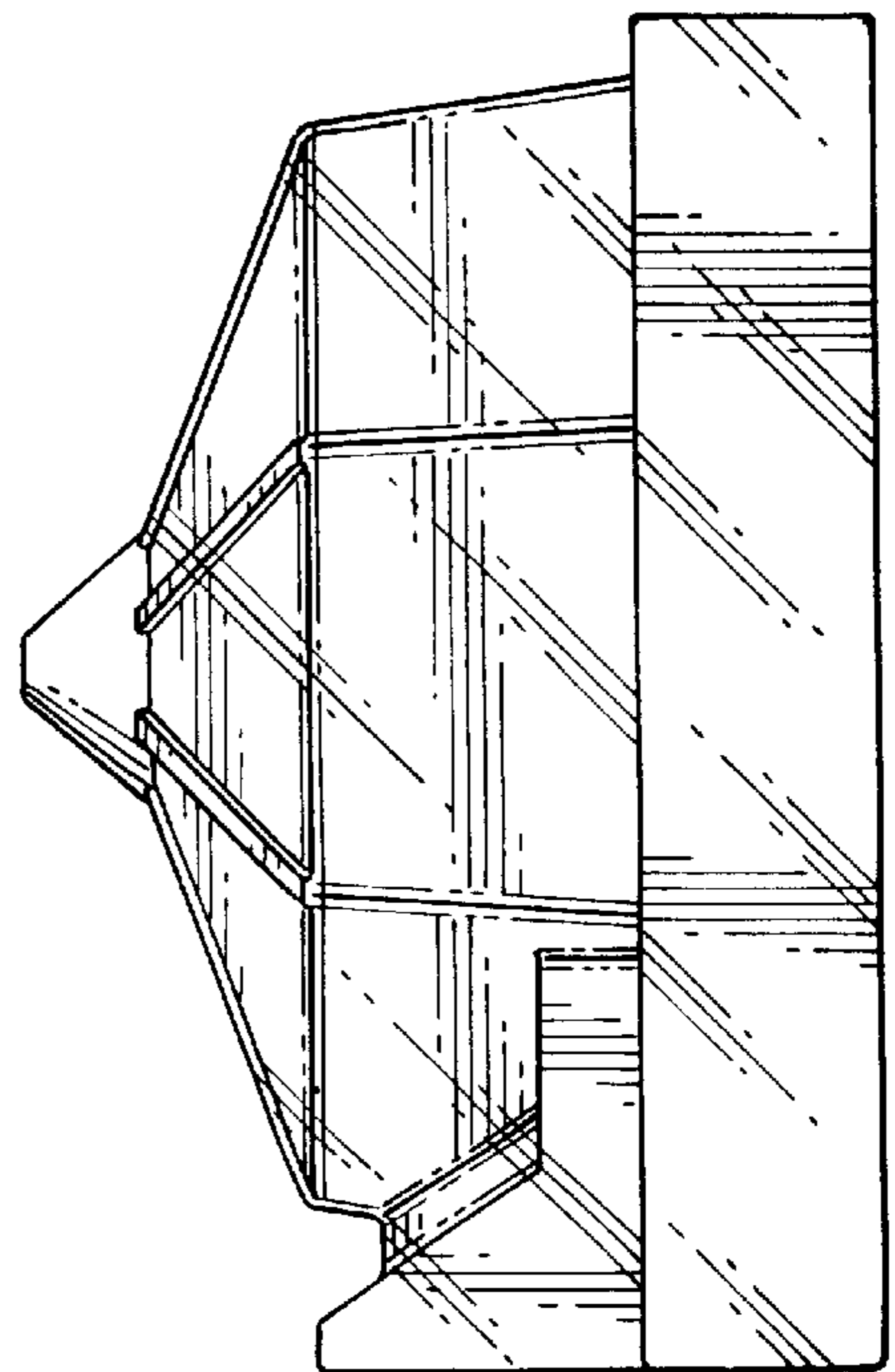


FIG. 3