



US00D434315S

United States Patent [19]
Clarke

[11] **Patent Number: Des. 434,315**

[45] **Date of Patent: ** Nov. 28, 2000**

[54] **FILTER PACK CLAM SHELL PACKAGE**

[75] Inventor: **John Clarke**, Akron, Ohio

[73] Assignee: **Tempo Products Co., Inc.**, Cleveland, Ohio

[**] Term: **14 Years**

[21] Appl. No.: **29/107,152**

[22] Filed: **Jun. 28, 1999**

[51] **LOC (7) Cl.** **09-07**

[52] **U.S. Cl.** **D9/415**

[58] **Field of Search** D9/414, 415, 418,
D9/432; 206/461-471, 495, 806

[56] **References Cited**

U.S. PATENT DOCUMENTS

D. 338,619	8/1993	Mylander et al.	D9/415
D. 386,078	11/1997	Harper et al.	D9/415
D. 408,281	4/1999	Chen	D9/415
2,905,314	9/1959	Bertram	D9/415 X
3,504,787	4/1970	Brockway	D9/415 X
4,058,212	11/1977	Wyslotsky	206/470
4,331,237	5/1982	Edell	206/461
5,029,705	7/1991	Schmidt et al.	206/471 X

OTHER PUBLICATIONS

Techform Inc., Nov. 1982.

Primary Examiner—Prabhakar Deshmukh
Attorney, Agent, or Firm—Calfee, Halter & Griswold LLP

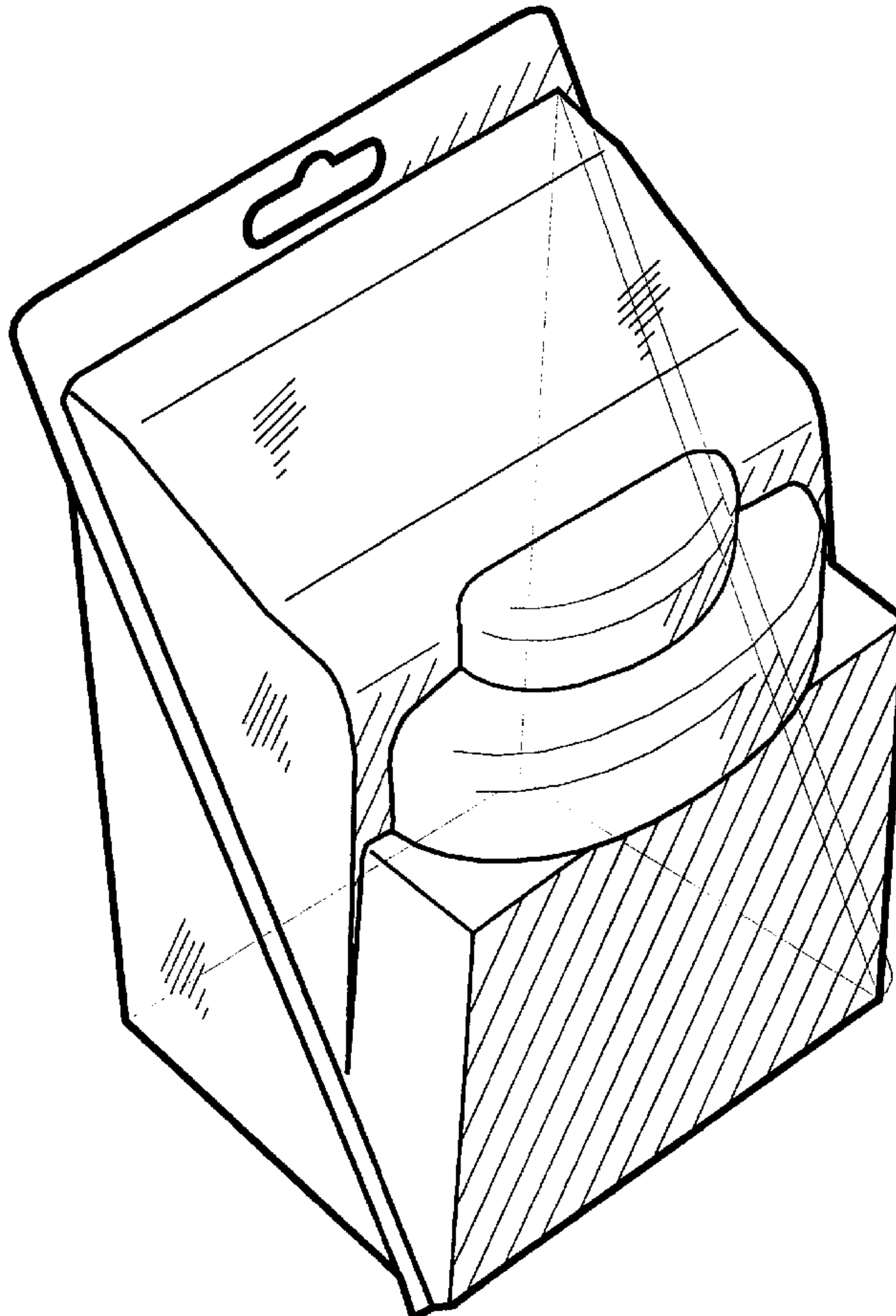
[57] **CLAIM**

The ornamental design for a filter pack clam shell package, as shown and described.

DESCRIPTION

FIG. 1 is a front view of the filter pack clam shell package of the present invention;
FIG. 2 is a rear view of the filter pack clam shell package of the present invention;
FIG. 3 is a top view of the filter pack clam shell package of the present invention;
FIG. 4 is a bottom view of the filter pack clam shell package of the present invention;
FIG. 5 is a left side view of the filter pack clam shell package of the present invention;
FIG. 6 is a right side view of the filter pack clam shell package of the present invention; and,
FIG. 7 is an enlarged scale perspective view of the filter pack clam shell package of the present invention.

1 Claim, 1 Drawing Sheet



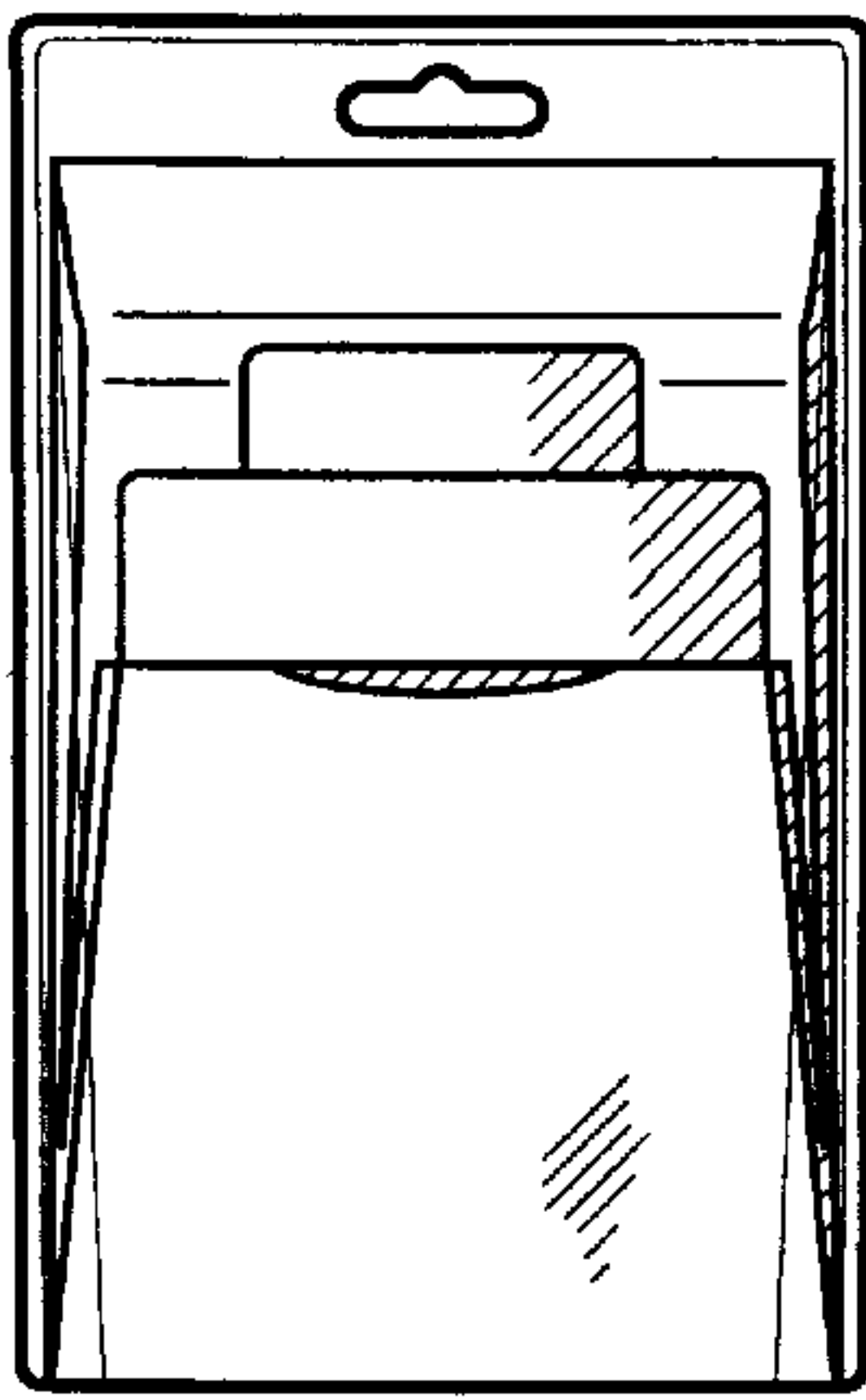


FIG. 1

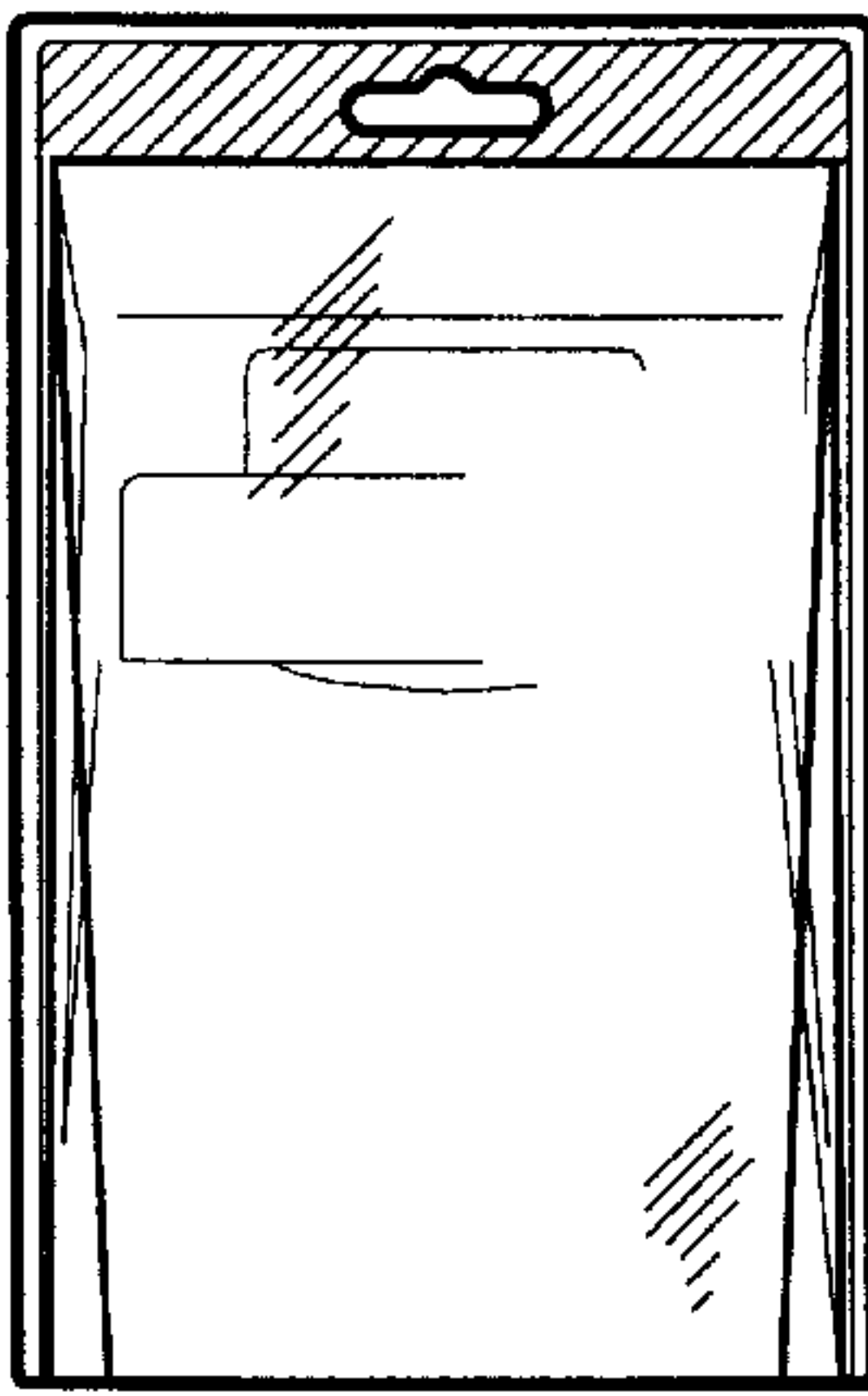


FIG. 2

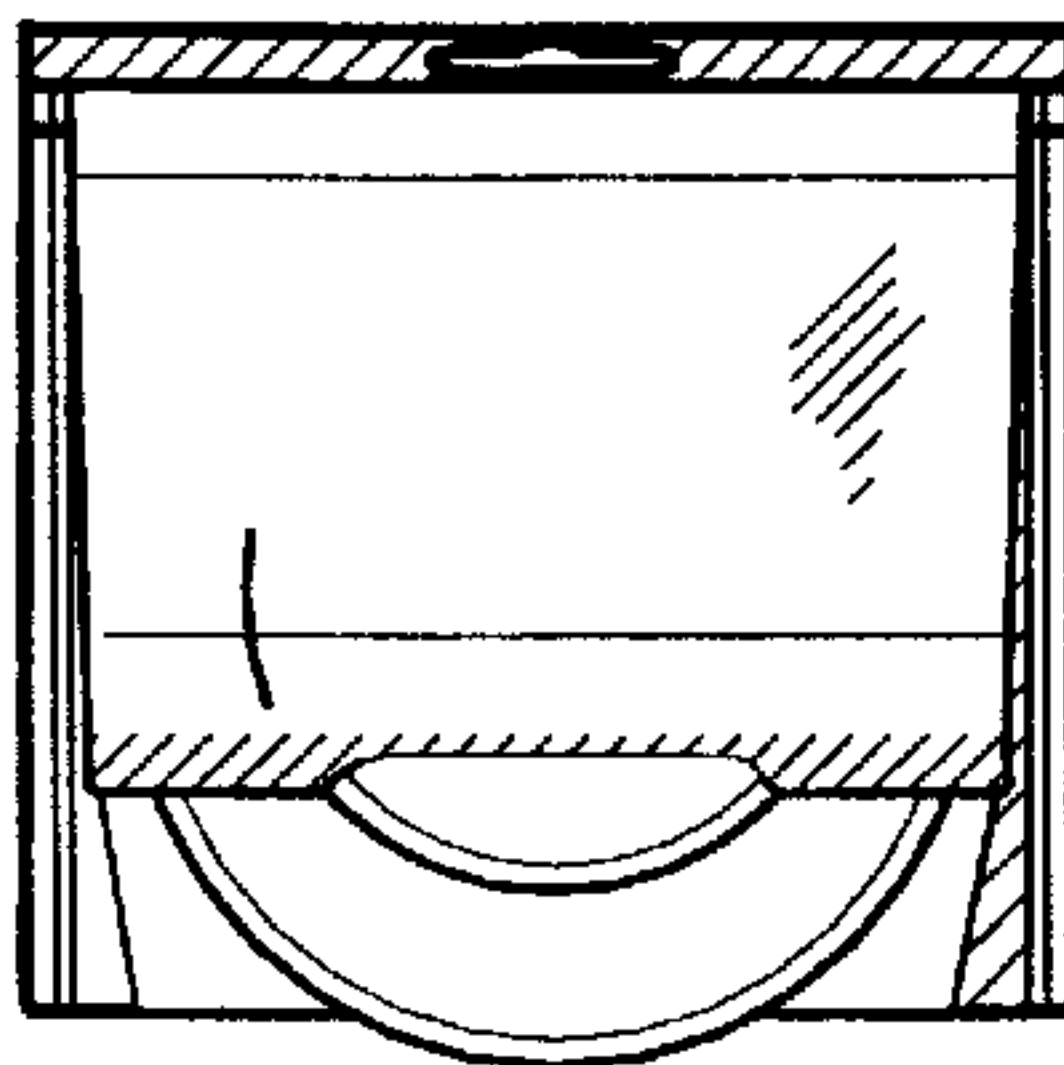


FIG. 3

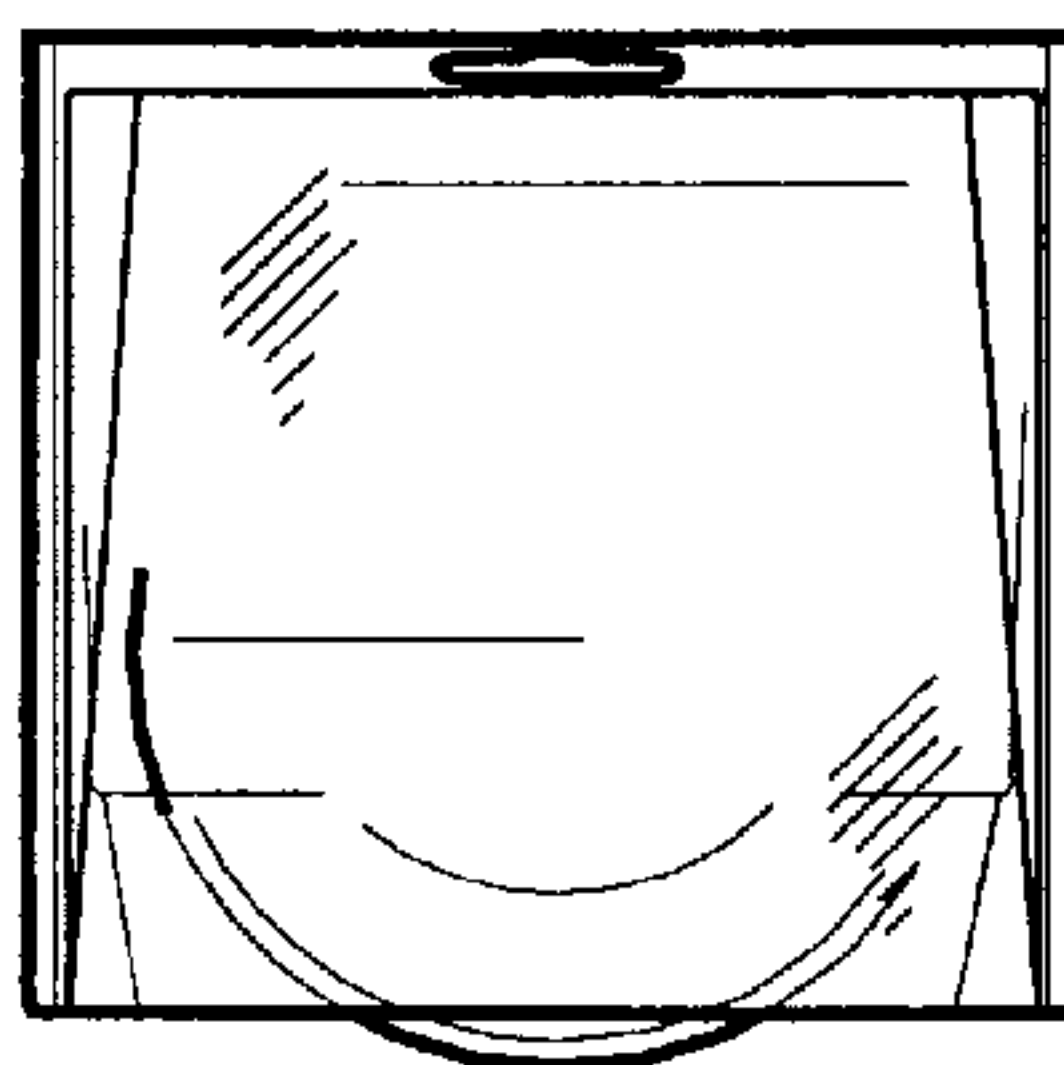


FIG. 4

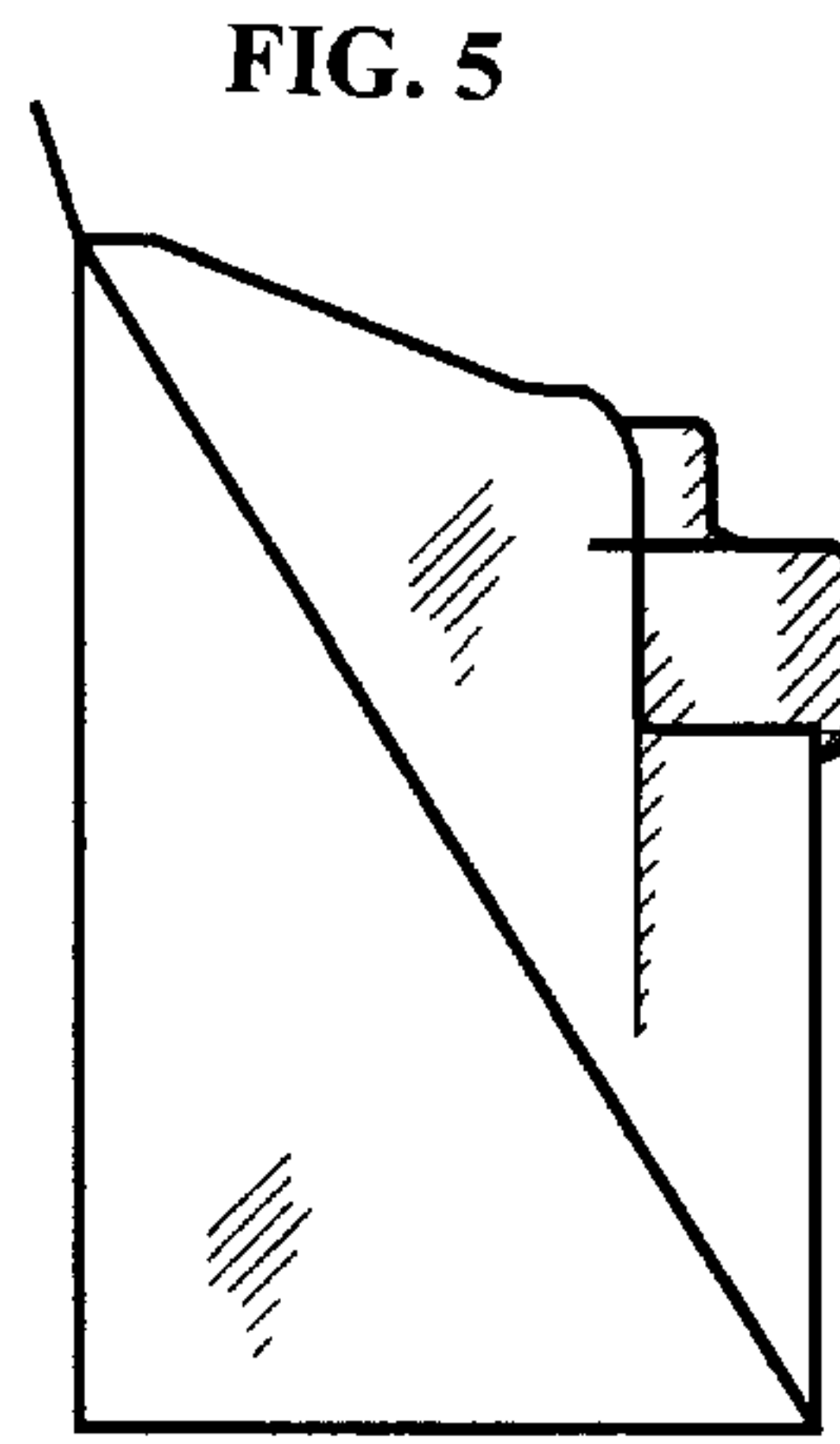


FIG. 5

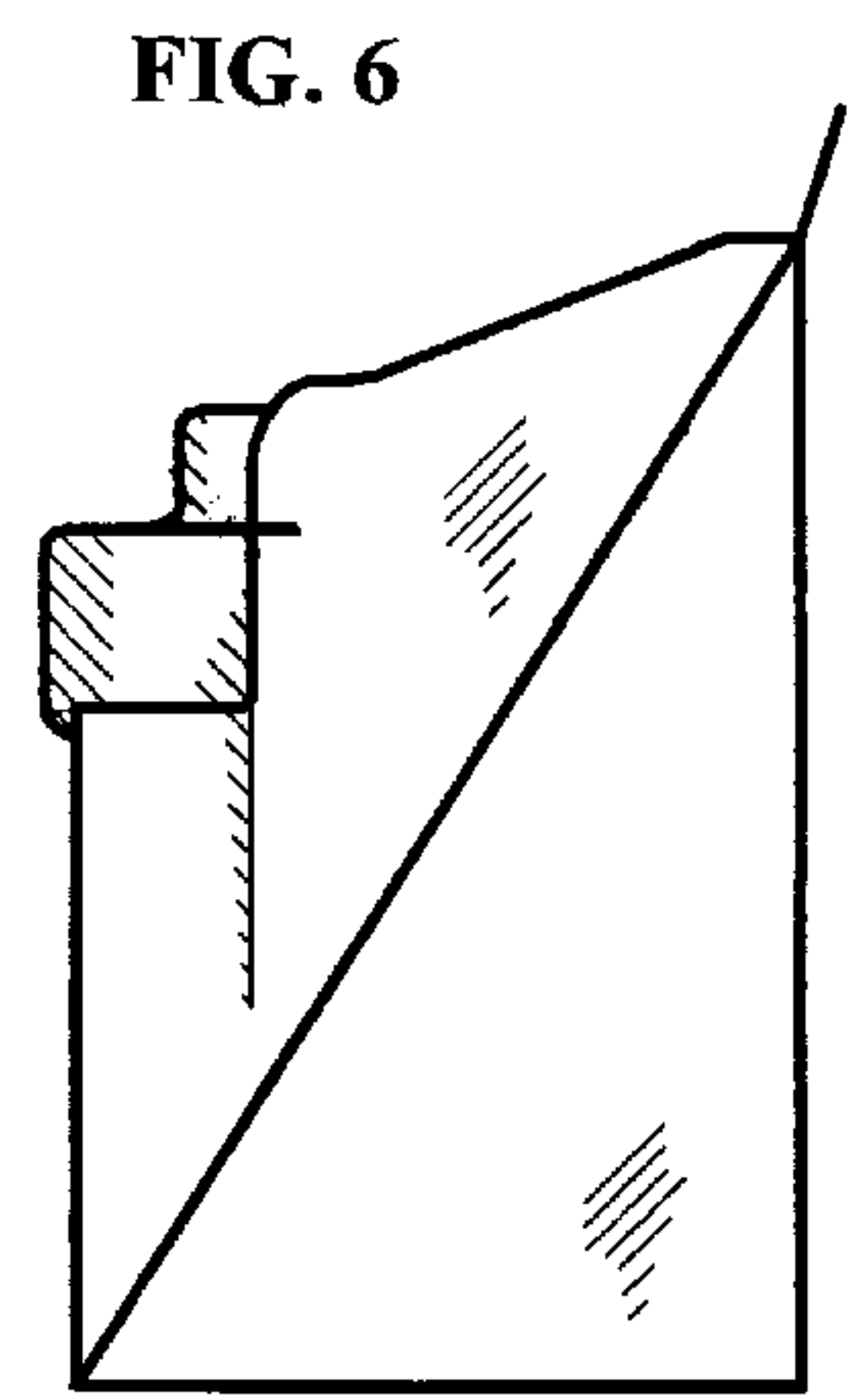


FIG. 6

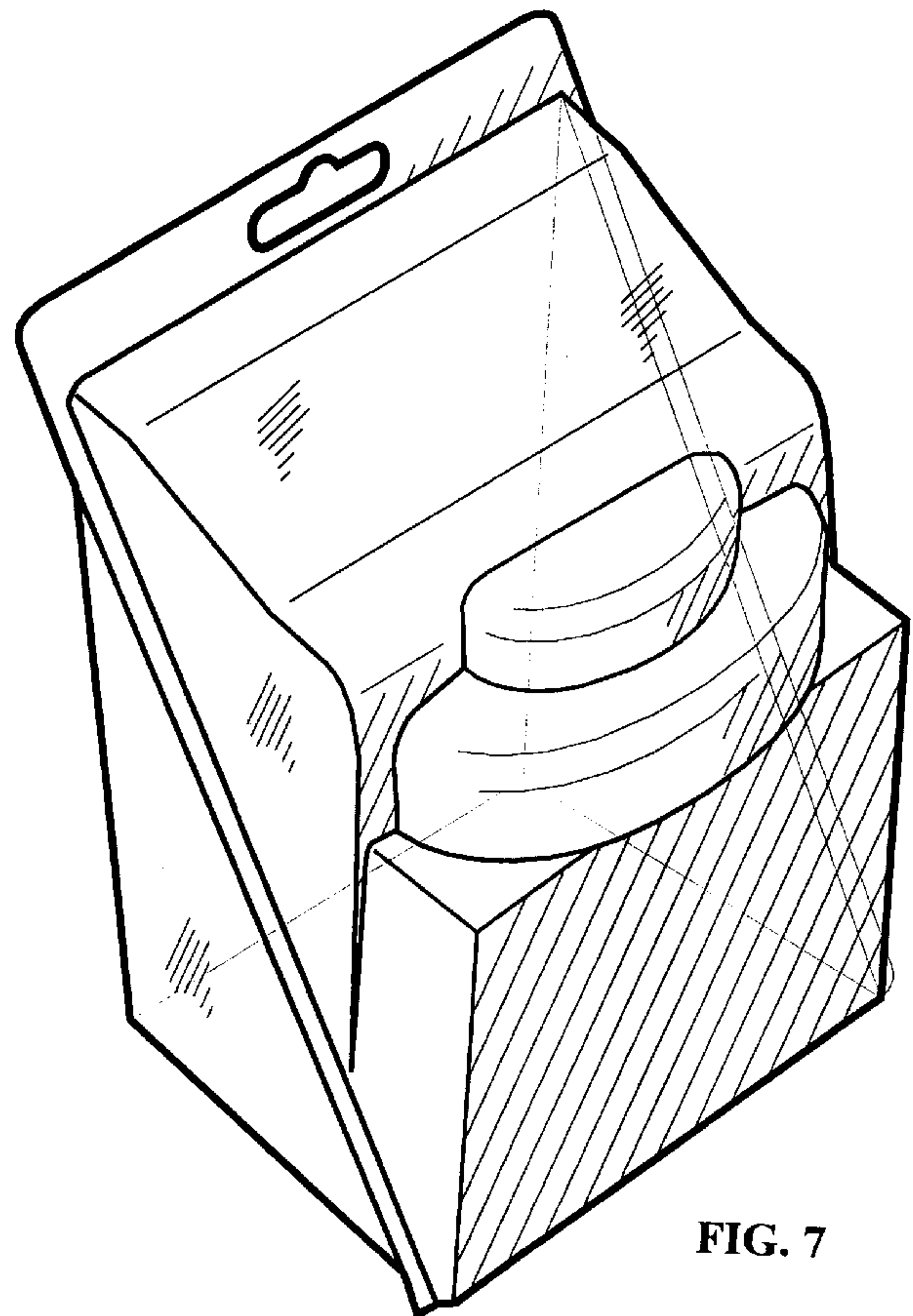


FIG. 7