



US00D434306S

United States Patent [19]
Brown

[11] **Patent Number: Des. 434,306**

[45] **Date of Patent: ** Nov. 28, 2000**

[54] **HANGER**

5,214,825 6/1993 Hirzel 24/67.9
5,511,661 4/1996 Karlis et al. 206/388

[76] Inventor: **Herbert R. Brown**, 78 Bedford Rd.,
Burlington, Mass. 01803

Primary Examiner—Holly Baynham
Attorney, Agent, or Firm—Sharon Day

[**] Term: **14 Years**

[57] **CLAIM**

[21] Appl. No.: **29/110,837**

The ornamental design for a hanger, as shown and described.

[22] Filed: **Sep. 14, 1999**

DESCRIPTION

[51] **LOC (7) Cl.** **08-05**

FIG. 1 is a top plan view showing my new design of a hanger;

[52] **U.S. Cl.** **D8/373**

FIG. 2 is a bottom plan view of the hanger;

[58] **Field of Search** D8/367, 373; 248/301,
248/304, 214-215

FIG. 3 is an end view thereof;

FIG. 4 is an enlarged side view thereof;

[56] **References Cited**

FIG. 5 is an opposite side view with the tongue in an extended position;

U.S. PATENT DOCUMENTS

FIG. 6 is an enlarged sectional view taken along line 6-6 of FIG. 1; and,

D. 308,467	6/1990	Fenton	D8/373
D. 344,545	2/1994	Tsai	24/67 R
D. 396,885	8/1998	Shyu	D19/65
D. 414,206	9/1999	Shyu	D19/65
4,914,791	4/1990	Lorber	24/67.9

FIG. 7 is a top side perspective view of the hanger.

1 Claim, 3 Drawing Sheets

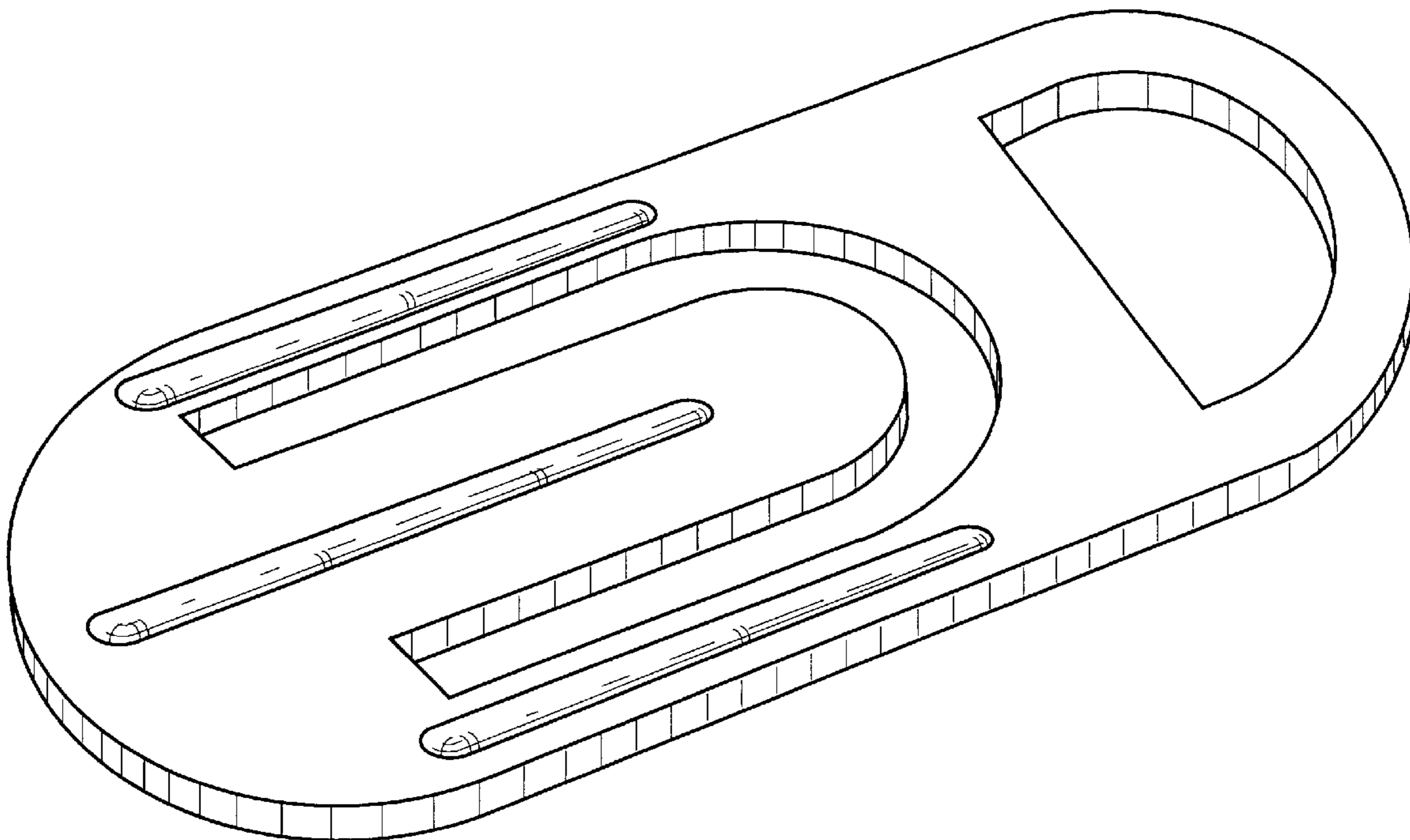


FIGURE 1

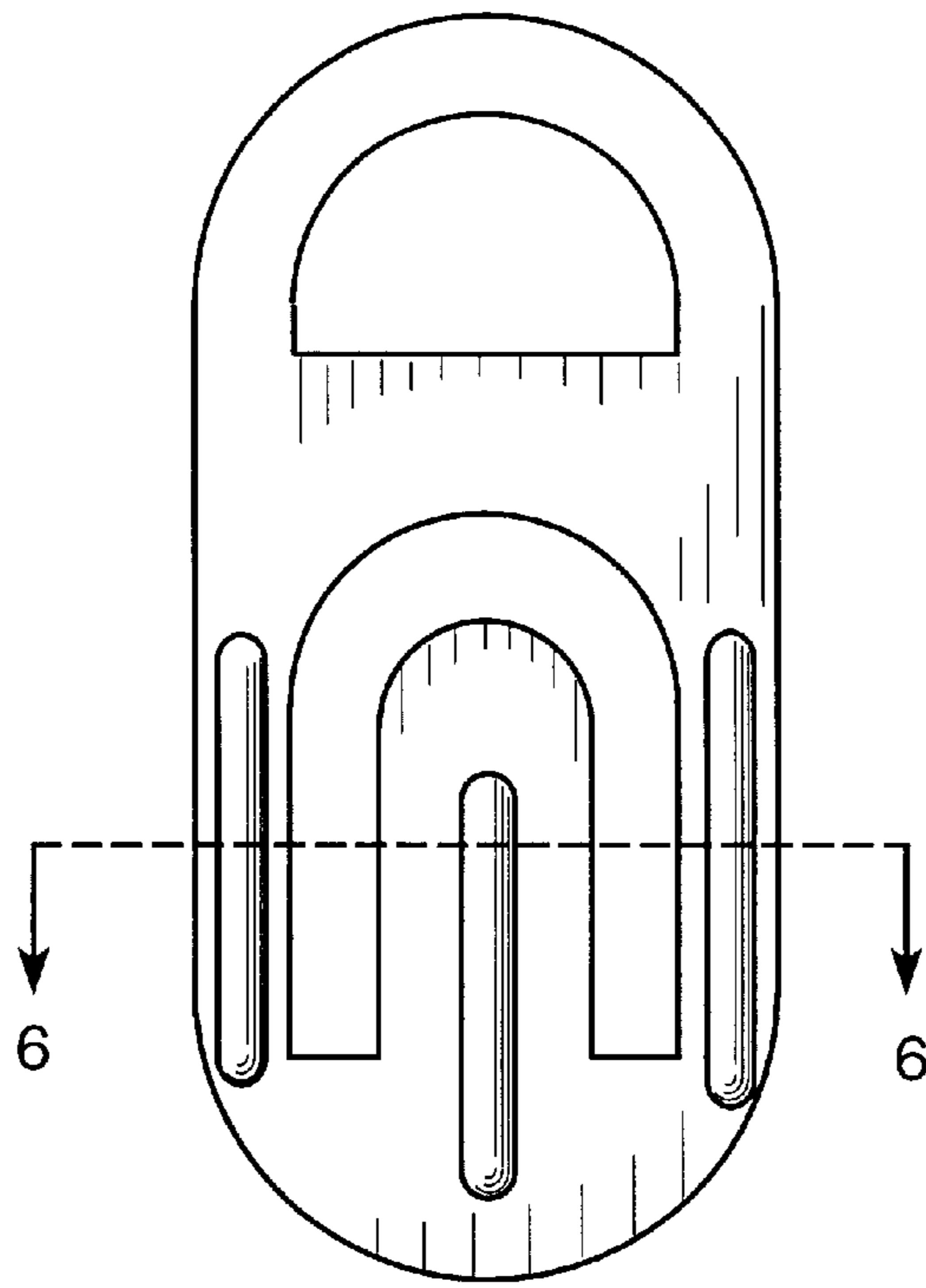


FIGURE 2

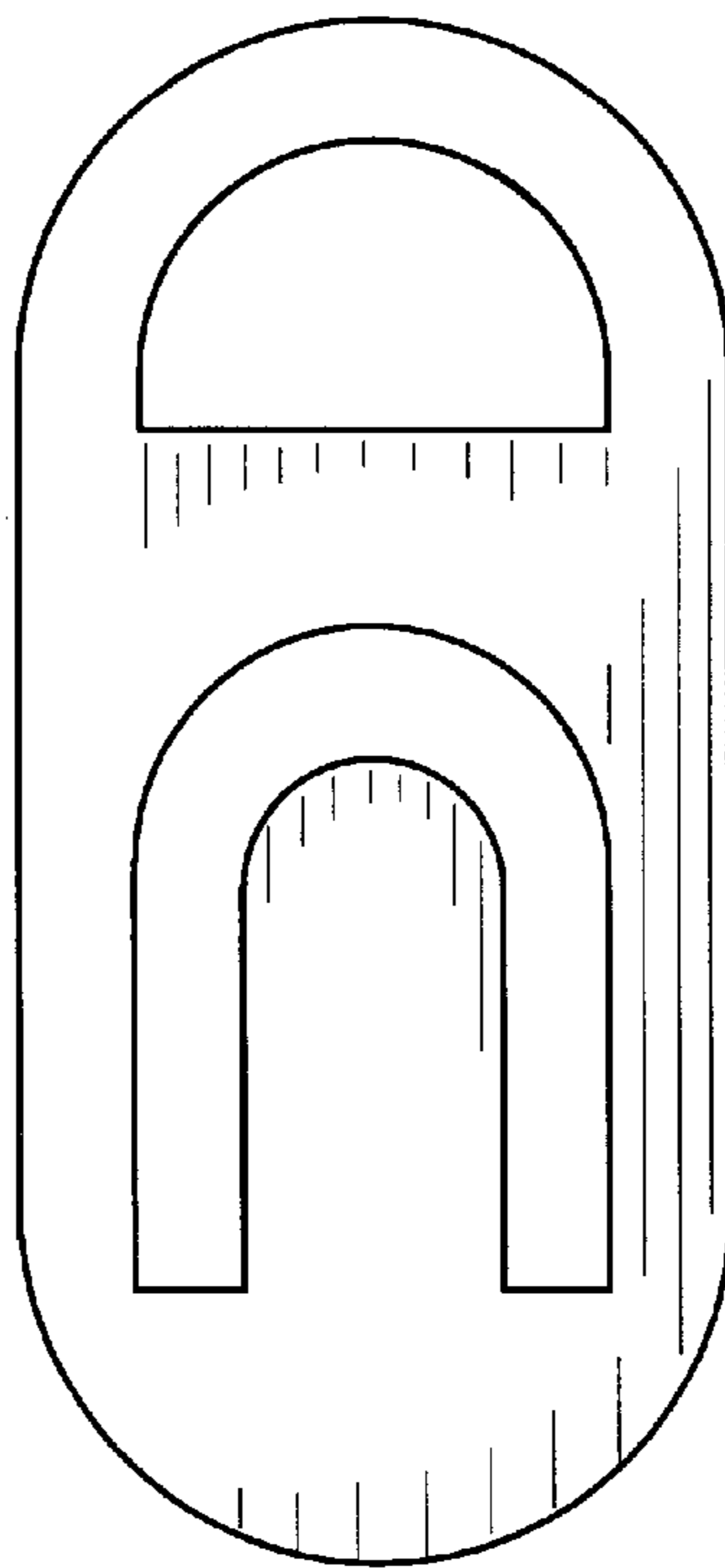


FIGURE 3



FIGURE 4



FIGURE 5

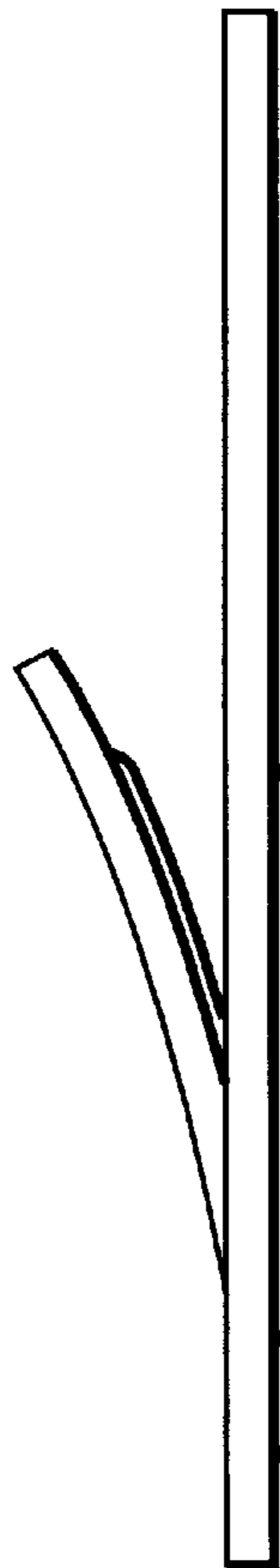


FIGURE 6



FIGURE 7

